

Mounting boxes and installation devices

Technical information



Table of contents

Mounting boxes and cover plates	4	Device carriers	12	Mounting box inserts	36	RCCB plug-in connector systems	56	Data technology / multimedia	68	Accessories	88
System overview	4	System overview	12	System overview	36	System overview	56	System overview	68	Technical data	89
UG R	6	UGET	14	UGE3	38	UGWIS-FI/LS	57	UKM & UDAEUM	70		
Technical data	7	Technical data	15	Technical data	39	Technical data	58	Technical data	71		
Installation components	7	UGETD	18	Installation components	41	Installation components	61	UDAE, UDA & UAA	74		
UG / UG3 / UG45	8	Technical data	19					Technical data	75		
Technical data	9	Installation components	20	Plug-in connector systems	38	Power technology	58	UAPAM45, UDAE45 & UANT45	78		
Installation components	10	UGETD KM	22	System overview	38	System overview	58	Technical data	79		
		Technical data	23	UG45WA	40	UST45	59	UDA & UDAP	80		
		UGET 3-3	24	Technical data	41	Technical data	60	Technical data	81		
		Technical data	25	Installation components	44	UST45FR	54	UDAE CAT6	84		
		UGET 3-1	26	UG45WI	46	Technical data	65	Technical data	85		
		Technical data	27	Technical data	47			USSM	86		
		Installation components	27	Installation components	50			Technical data	87		
		UGET B	28								
		Technical data	29								
		UGET CEE	30								
		Technical data	31								

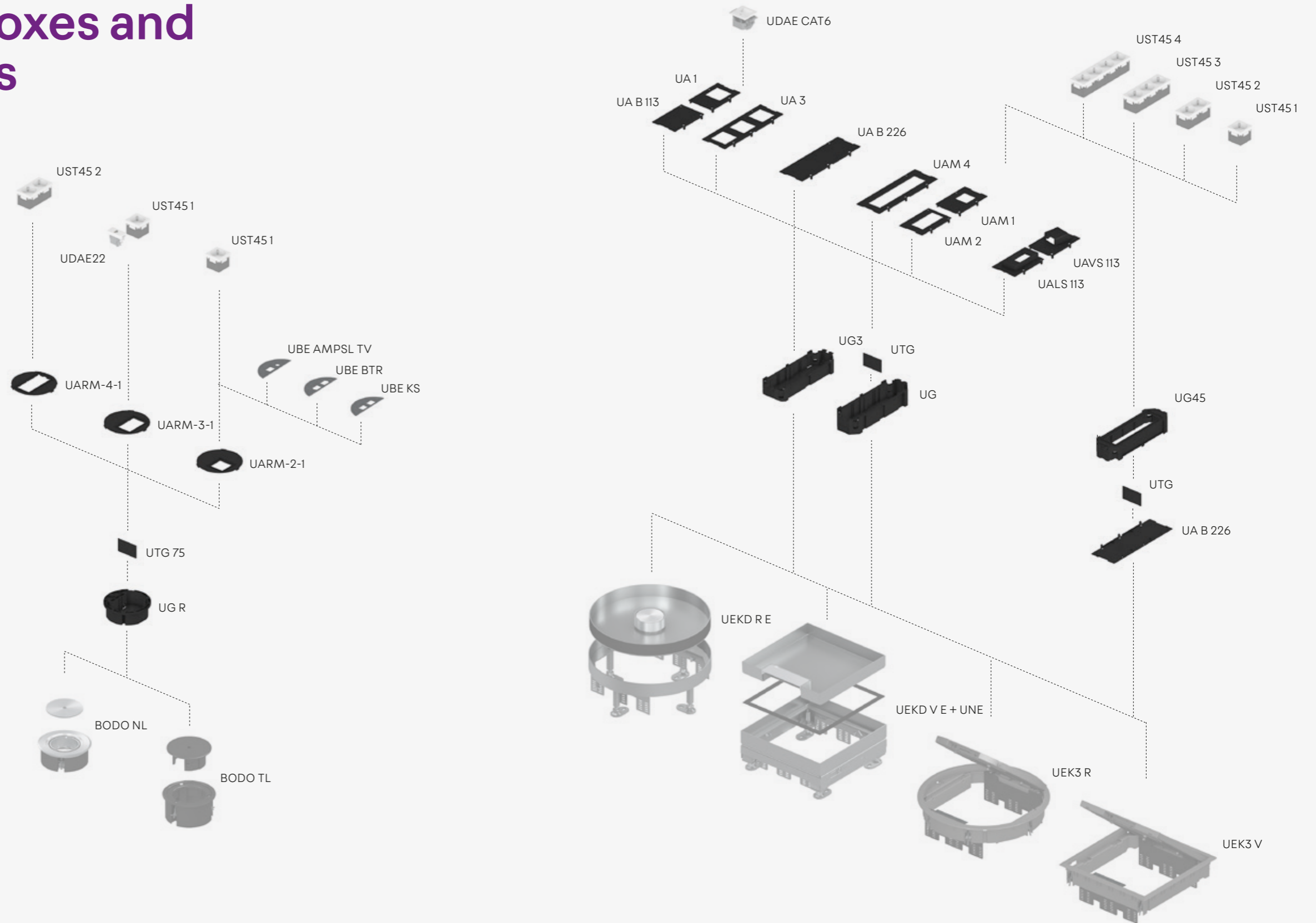
Mounting boxes and cover plates

System overview

Modern underfloor installations are supplemented by matching mounting boxes and installation devices. This combination brings the power, data and multimedia connections you require right to where you need them. They can be combined in many different ways depending on the field of application.

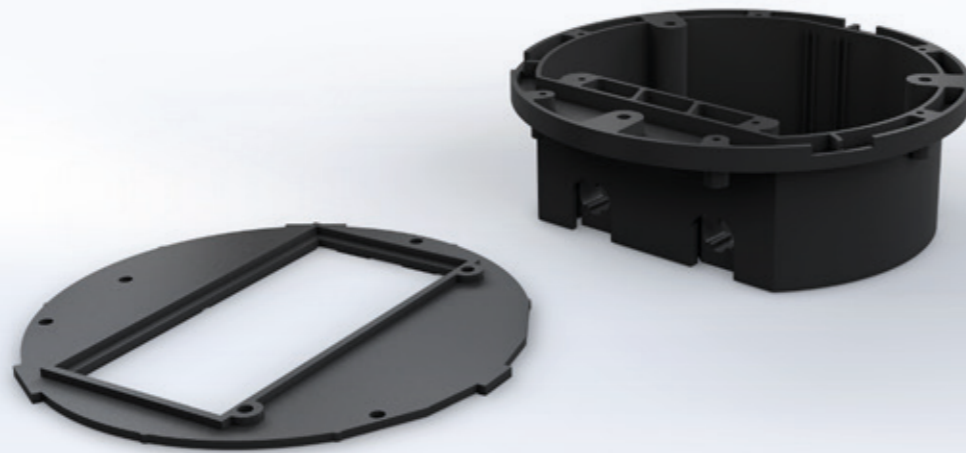
Our mounting boxes can be used in both plastic and stainless steel units. We make three basic variants: standard UG and UG3 mounting boxes are ideal for flat installation devices and the UG45 mounting box with its open base is perfect for data technology.

Single outlets are best equipped with our round mounting boxes. To this end, the UARM-2-1 cover plate can be broken off at the perforation and fitted with the data technology board.



UG R

Mounting boxes, round

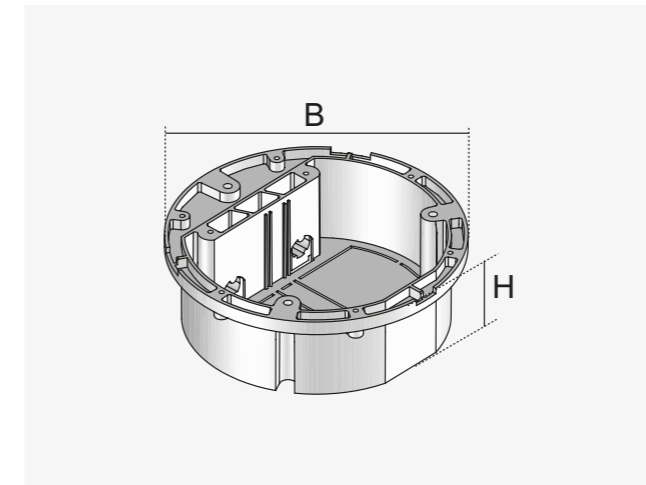


Areas of application

Our UG R mounting boxes can be used in combination with BODO units as well as quadrangular, double, single outlets. The mounting boxes can be equipped with single or double sockets. Alternatively, single socket outlets can be combined with data technology. However, a separating strip must be employed if two separate circuits are being used.

Technical data

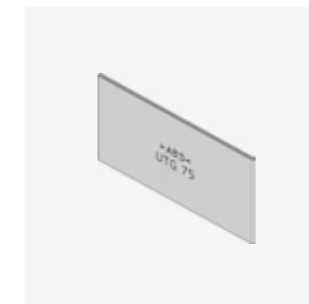
UG R Mounting boxes, round



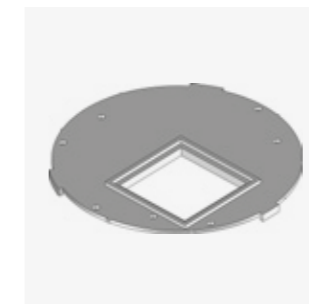
Type	H mm	B mm	Colour	G kg
UG-R	39	118	RAL 9011	0.05

H: Height | B: Width | G: Weight

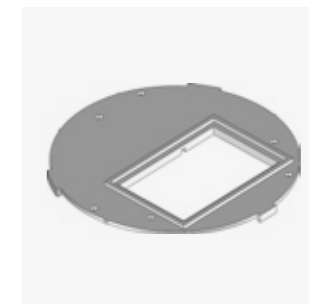
Installation components



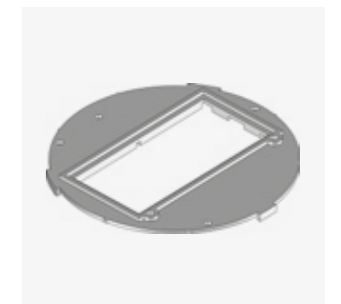
UTG 75
Device separation plate



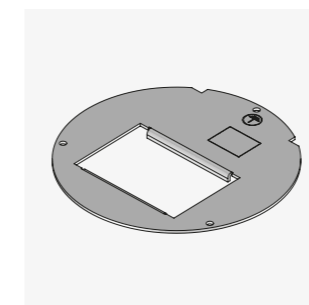
UARM-2-1
Cover plate for 2x UDAE22



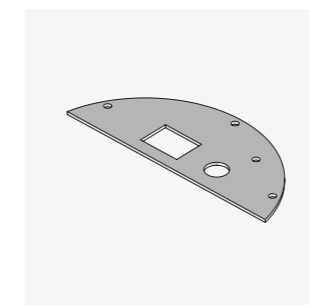
UARM-3-1
Cover plate for 3x UDAE22



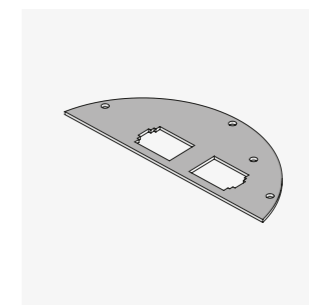
UARM-4-1
Cover plate for 4x UDAE22



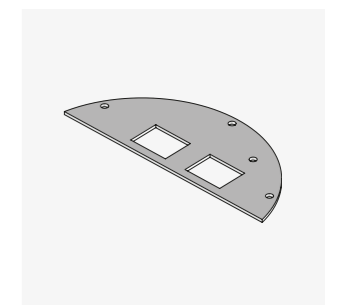
UARM-3-KS1
Cover plate for 3x UDAE22 and 1x Keystone module



UBE AMPSL TV
Cover plate for data technology



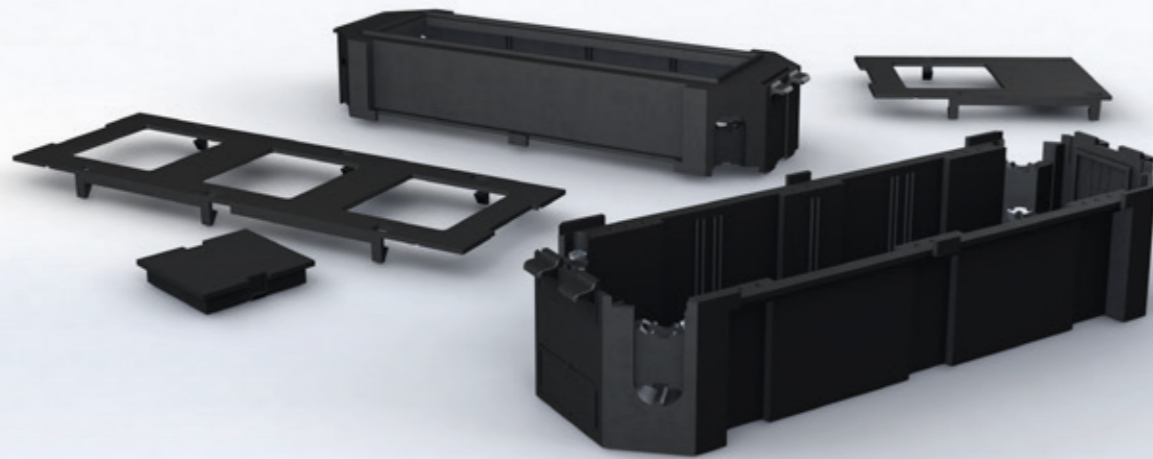
UBE BTR
Cover plate for data technology



UBE KS
Cover plate for data technology

UG / UG3 / UG45

Mounting boxes, quadrangular

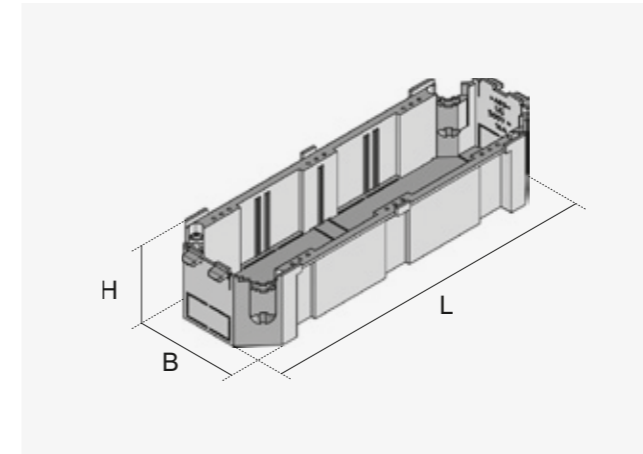


Areas of application

Our UG, UG3 and UG45 mounting boxes fit into the double and triple units made of plastic or stainless steel. They are fitted with matching cover plates and separating strips. The installation units can be combined in different ways. However, a maximum of four installation devices with a size of 45x45 mm or three coulter clip installation devices can be used.


Technical data

UG Mounting boxes, quadrangular



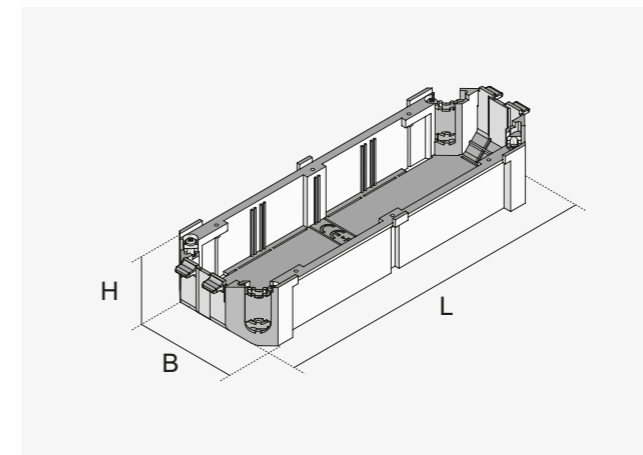
Type	H mm	B mm	L mm	Colour	G kg
UG	46	74	225	RAL 9011	0.09

H: Height | B: Width | L: Length | G: Weight
 Scope of delivery: includes strain relief and screws

 Maximum number of installation devices:
 3x coulter clips or 4x 45x45 mm


Strain relief:
 4x for cable dia. 6 to 12 mm

UG3 Mounting boxes, quadrangular, lowered



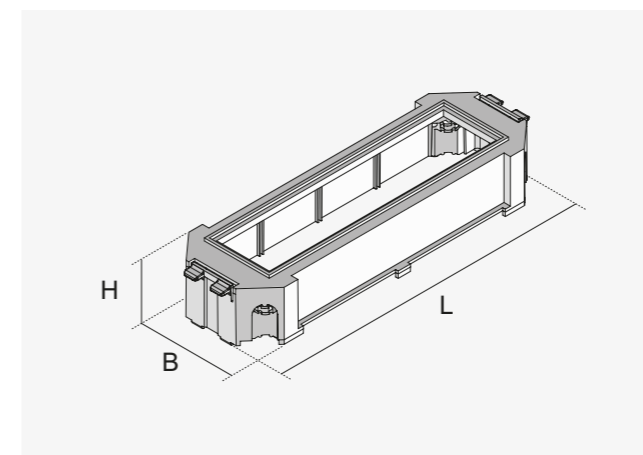
Type	H mm	B mm	L mm	Colour	G kg
UG3	38	74	225	RAL 9011	0.09

H: Height | B: Width | L: Length | G: Weight
 Scope of delivery: includes strain relief and screws

 Maximum number of installation devices:
 4x 45x45 mm


Strain relief:
 4x for cable dia. 6 to 12 mm

UG45 Mounting boxes, quadrangular, open



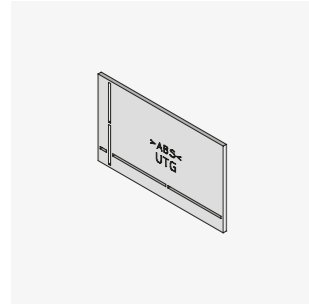
Type	H mm	B mm	L mm	Colour	G kg
UG45-4	40	74	225	RAL 9011	0.09

H: Height | B: Width | L: Length | G: Weight
 Scope of delivery: includes strain relief

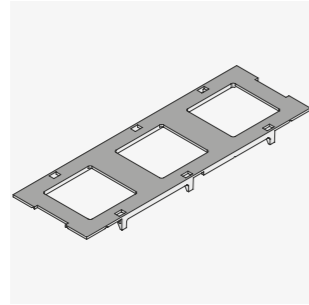
 Maximum number of installation devices:
 4x 45x45 mm

Strain relief:
 4x for cable dia. 6 to 12 mm

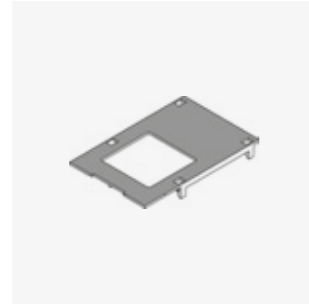
Installation components



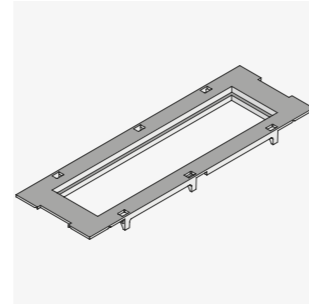
UTG
Device separation plate



UA 3
Cover plate for three installation devices
50x50mm



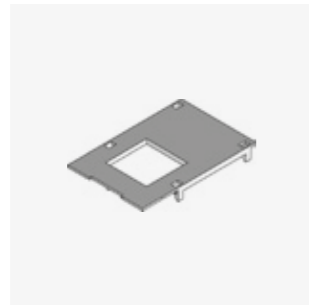
UA 1
Cover plate for one installation device 50x50mm



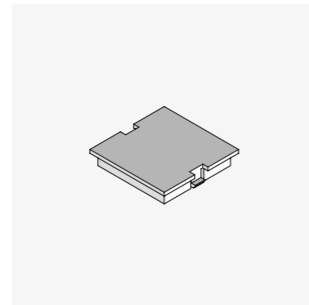
UAM 4
Cover plate for four installation devices 45x45mm



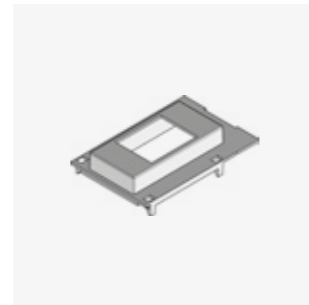
UAM 2
Cover plate for two installation devices 45x45mm



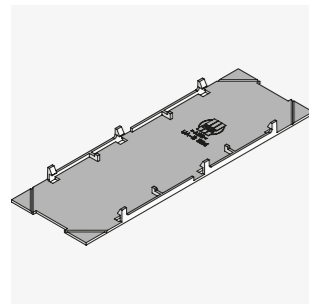
UAM 1
Cover plate for one installation device 45x45mm



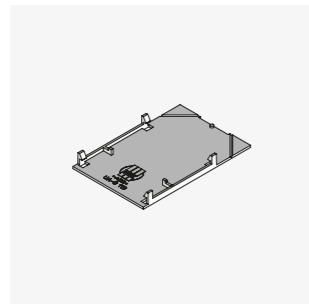
UAA B
Cover, dummy



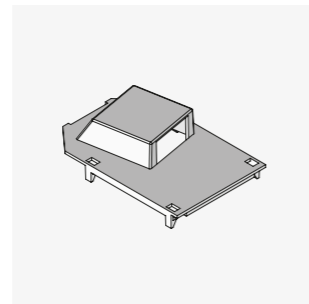
UALS 113
Cover plate for automatic line protection



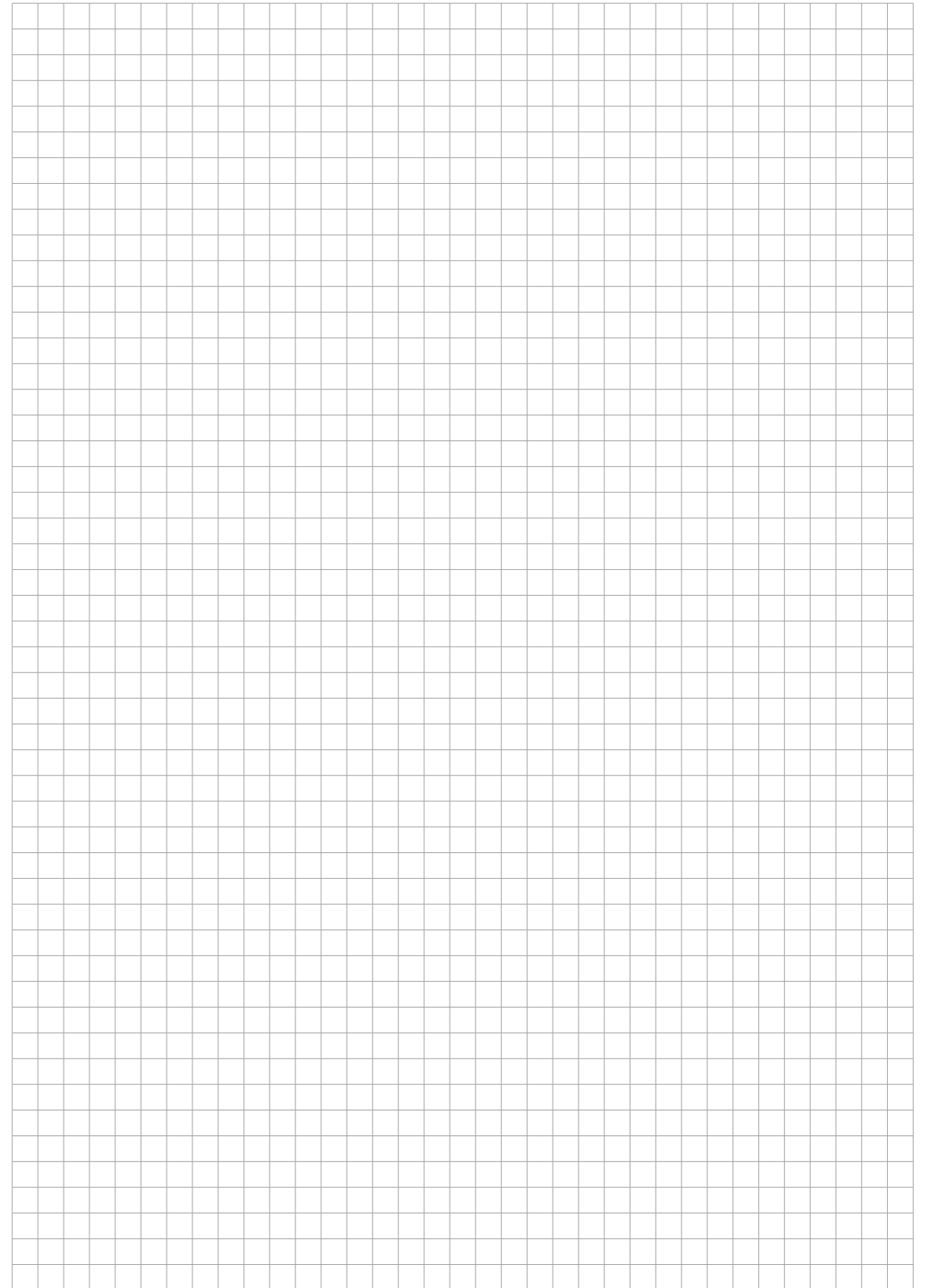
UA B 226
Cover plate, dummy, complete



UA B 113
Cover plate, dummy, half



UAVS 113
Cover plate, snap-in

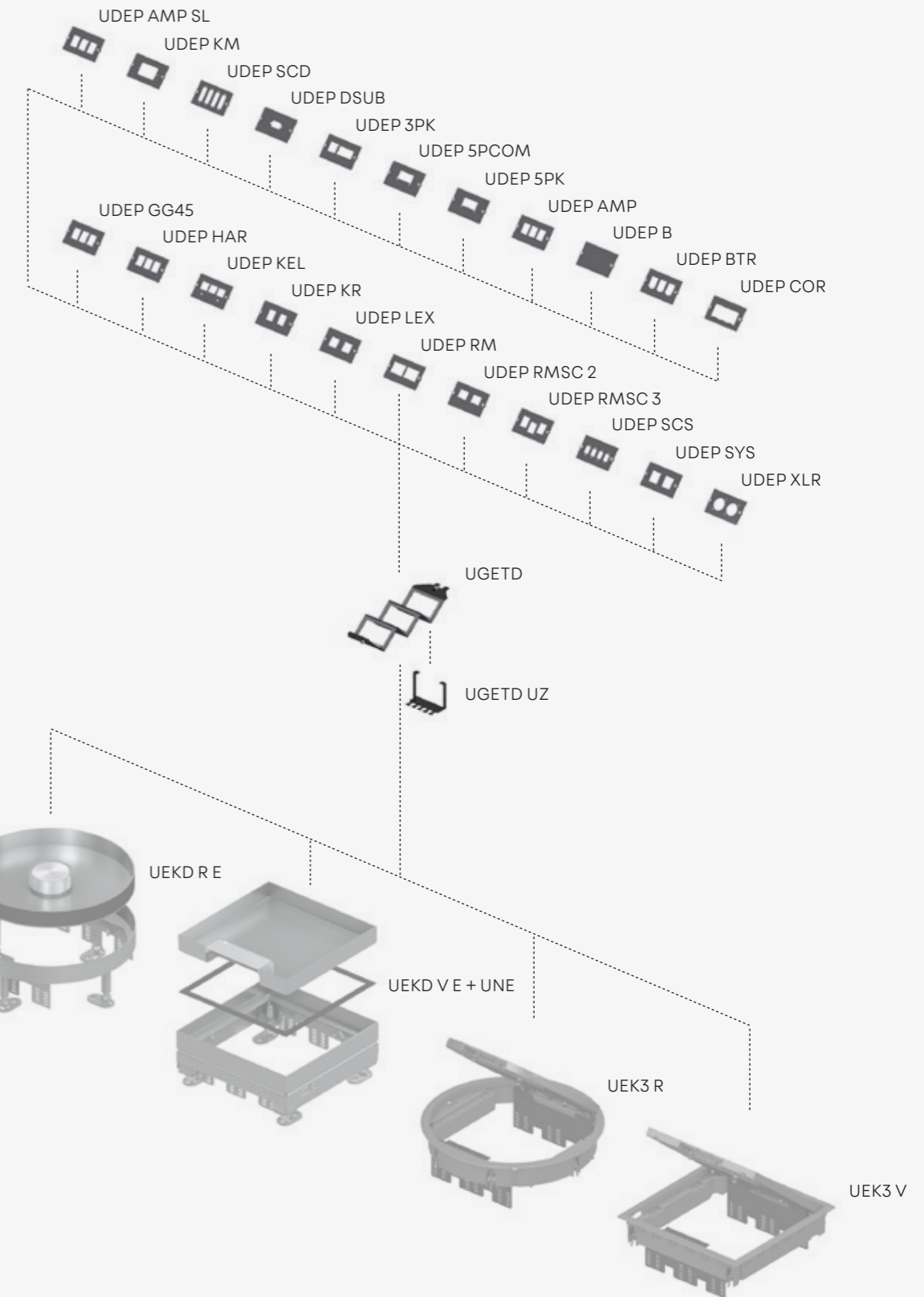
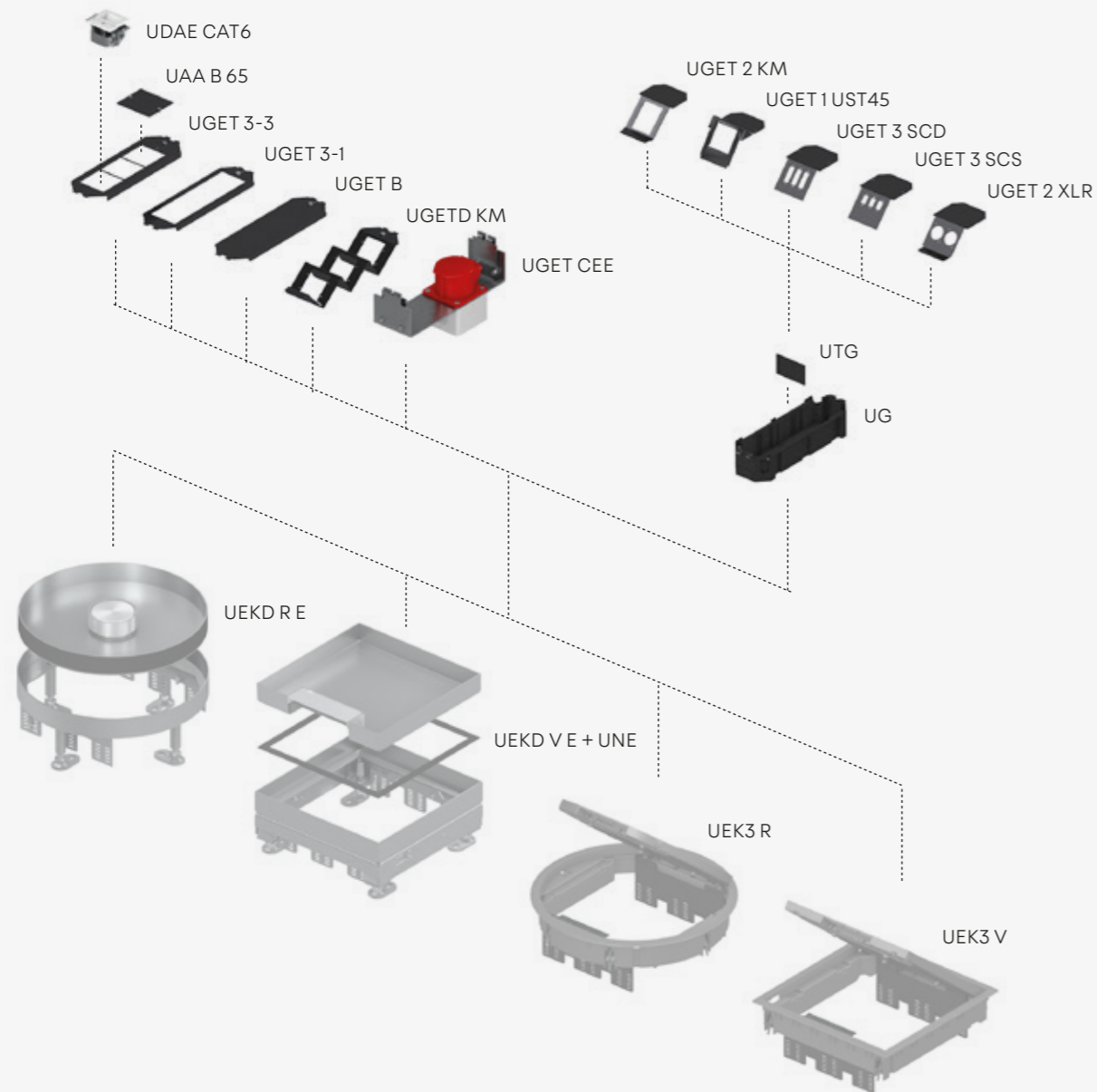


Device carriers

System overview

Installation equipment can be fixed in place with precision using device carriers. Our standard range includes installation boards made by all popular manufacturers. As we produce our device carriers and boards ourselves, we can also create special manufacturer-specific ports to meet customer requirements. These boards are screwed onto the UGETD device carriers.

A further connection option is to use assembly carriers. These are usually inserted opposite one another in the mounting boxes. This means that they fit flush and require less free space in the direction of the cover. A maximum of two assembly carriers can be fitted in one mounting box; this corresponds to a maximum of six connections.



UGET

Mounting box assembly carrier

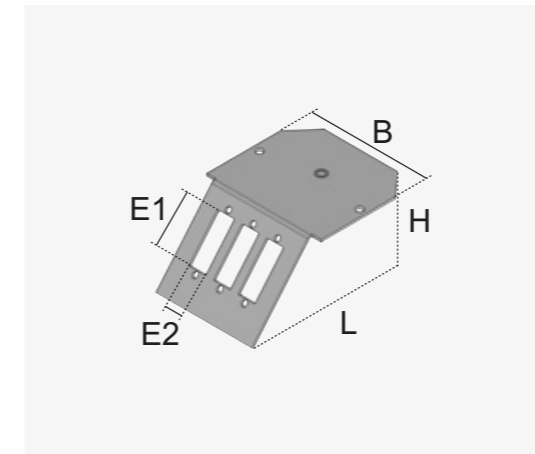


Areas of application

We developed the special UGET assembly carriers for our UG mounting boxes. They accommodate installation devices, audio/video connection panels or fibre optic technology, depending on the type. The assembly carriers are inserted into the mounting boxes from above and screwed down so that they are flush with its upper edge.

Technical data

UGET 3 SCD Mounting box assembly carrier, fibre optic technology

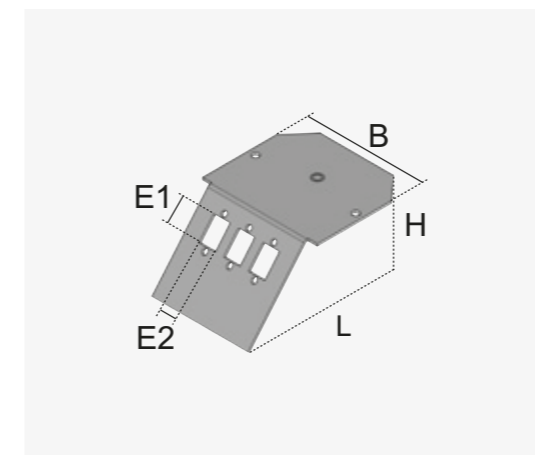


Type	H mm	B mm	L mm	E1 mm	E2 mm	G kg
UGET-3-SCD 113	42	69	95	26.4	9.8	0.07

H: Height | B: Width | L: Length | E: Installation dimension | G: Weight

i Maximum number of data jacks that can be installed:
3x fibre optic technology

UGET 3 SCS Mounting box assembly carrier, fibre optic technology

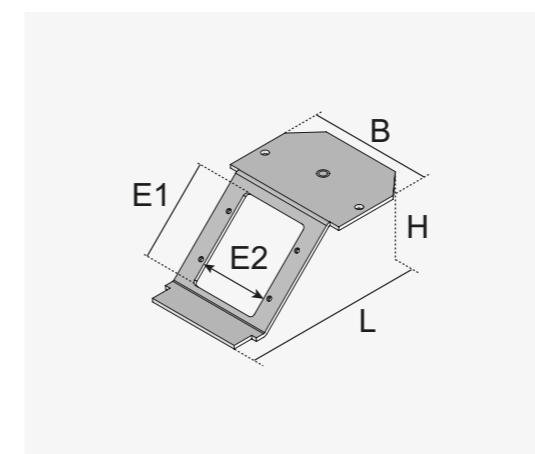


Type	H mm	B mm	L mm	E1 mm	E2 mm	G kg
UGET-3-SCS 113	42	69	95	13.5	9.6	0.08

H: Height | B: Width | L: Length | E: Installation dimension | G: Weight

i Maximum number of data jacks that can be installed:
3x fibre optic technology

UGET 2 KM Mounting box assembly carrier, audio/video technology



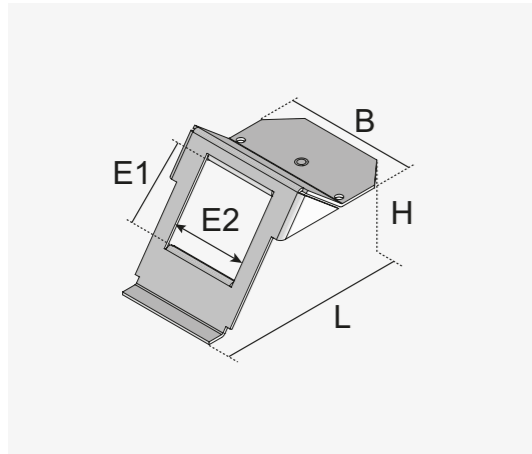
Type	H mm	B mm	L mm	E1 mm	E2 mm	G kg
UGET-2-KM 113	42	69	107	48	38	0.09

H: Height | B: Width | L: Length | E: Installation dimension | G: Weight

i Maximum number of Kindermann faceplates 50 x 50 mm:
2x audio/video connection half faceplates or
1x audio/video connection full faceplate

Technical data

UGET 1 UST45 Mounting box assembly carrier, installation devices

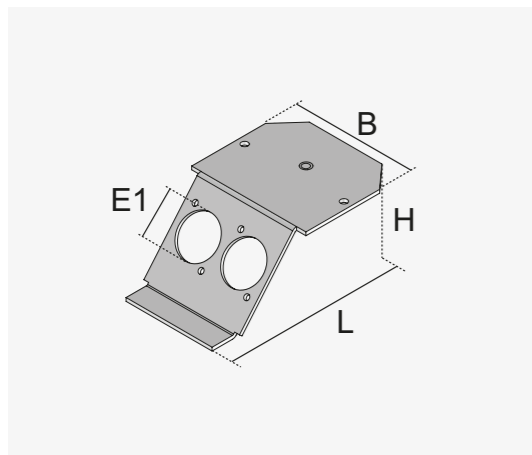


Type	H mm	B mm	L mm	E1 mm	E2 mm	G kg
UGET-1-UST45 113	42	69	107	40.5	40.5	0.09

H: Height | B: Width | L: Length | E: Installation dimension | G: Weight

i Maximum number of installation devices:
1x 45x45 mm

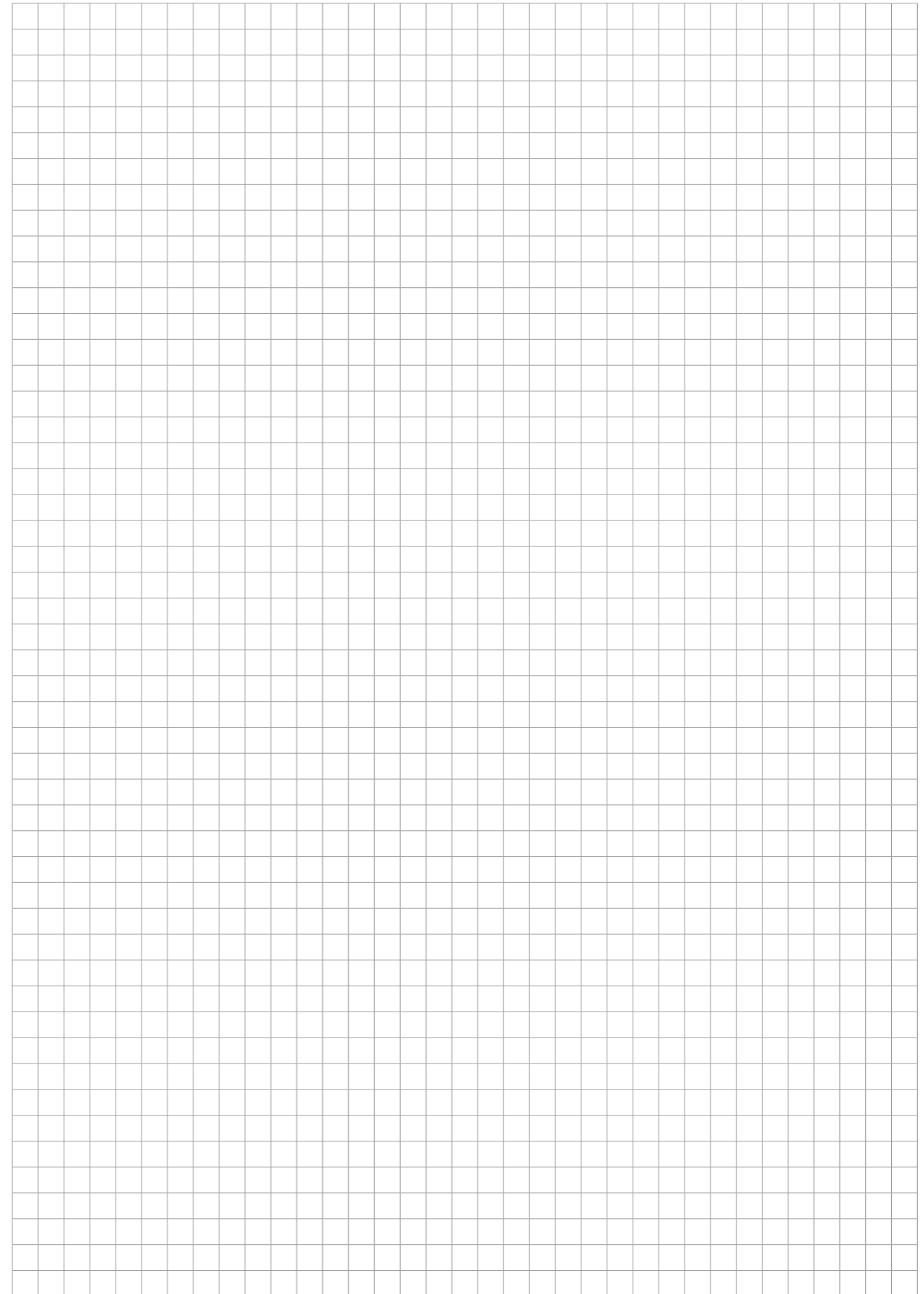
UGET 2 XLR Mounting box assembly carrier, audio/video technology



Type	H mm	B mm	L mm	E1 mm	G kg
UGET-2-XLR 113	42	69	107	23.6	0.11

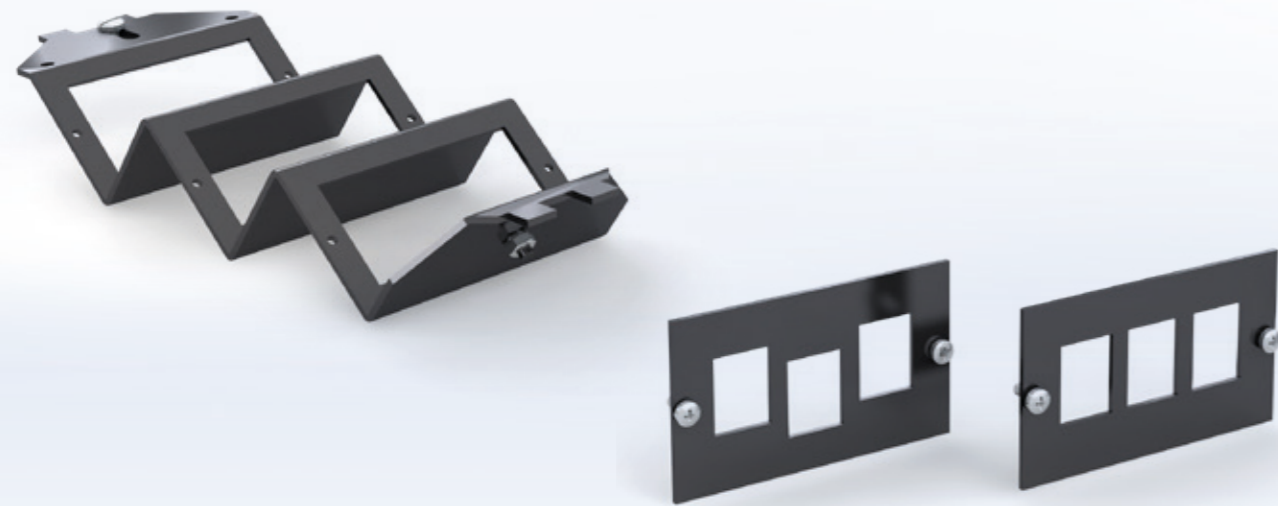
H: Height | B: Width | L: Length | E: Installation dimension | G: Weight

i Maximum number of data jacks that can be installed:
2x flush-type connectors for audio technology type XLR, D series.



UGETD

Data device carrier

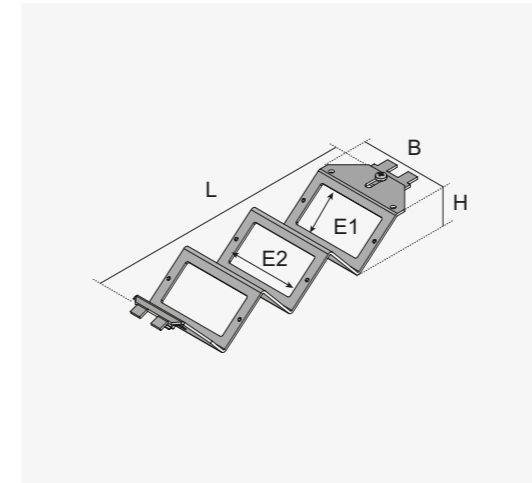


Areas of application

Our UGETD data device carriers provide space for a maximum of three installation boards. Each board can accommodate up to three connections depending on the manufacturer. We recommend using data device carriers if you wish to install a larger number of data jacks (maximum 9). These hold the cables at the perfect bending radii, protecting the cables in the long term.

Technical data

UGETD Device carrier, data, 3x UDEP



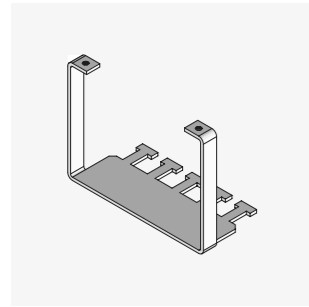
Type	H mm	H _{min} mm	B mm	L mm	E1 mm	E2 mm	Colour	G kg
UGETD-3 226	33	96	75	227	33.5	59.5	Black (similar to RAL 9011)	0.16

H: Height | H_{min}: Minimum installation height | B: Width | L: Length | E: Installation dimension | G: Weight

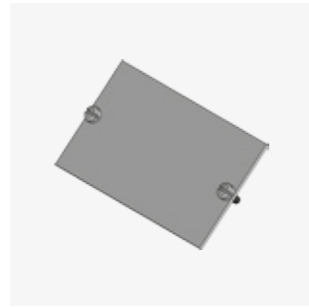


Maximum number of installation boards:
3x data, audio and video technology

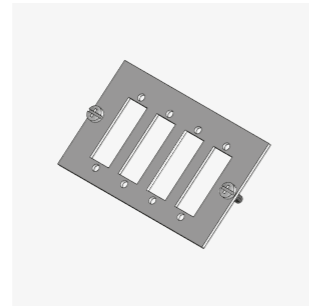
Installation components



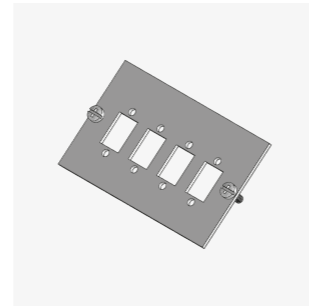
UGETD UZ
Strain relief



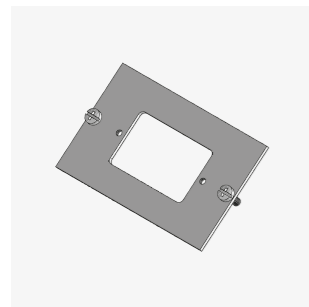
UDEP B
Installation board, dummy



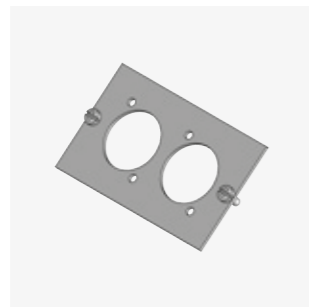
UDEP SCD
Installation board, fibre optic technology



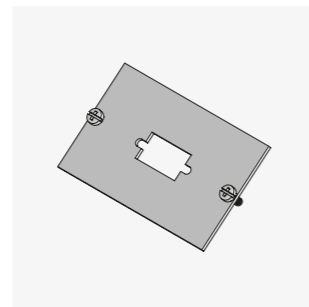
UDEP SCS
Installation board, fibre optic technology



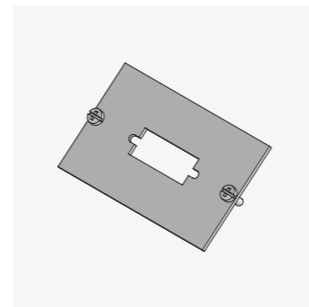
UDEP KM
Installation board, Kindermann 25 x 50 mm
half faceplates, audio / video technology



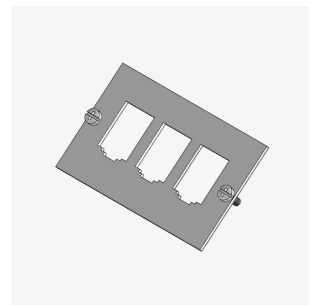
UDEP XLR
Installation board, audio/video technology



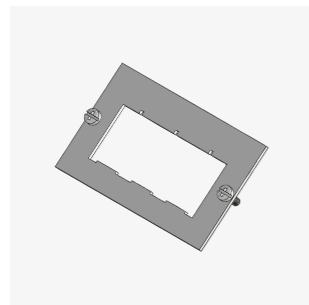
UDEP DSUB
Installation board, audio/video technology



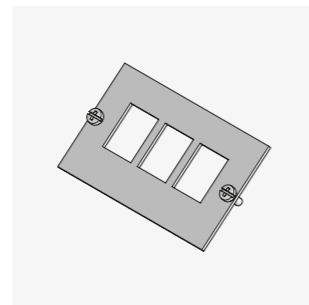
UDEP DVI
Installation board, audio/video technology



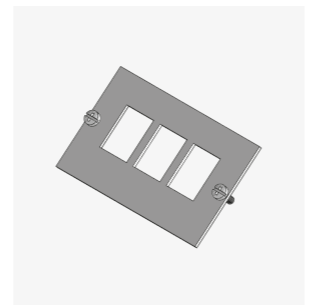
UDEP BTR
Installation board, data technology



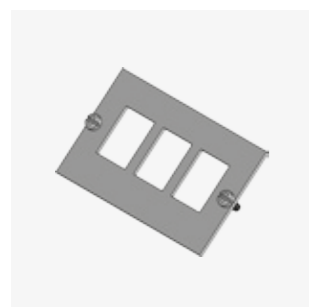
UDEP COR
Installation board, data technology



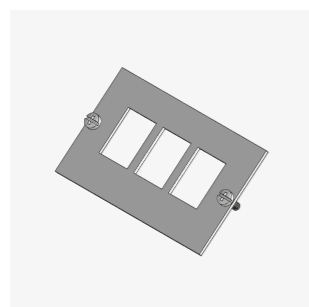
UDEP HAR
Installation board, data technology



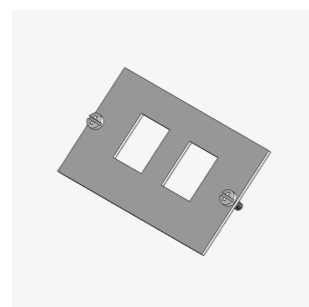
UDEP AMP
Installation board, data technology



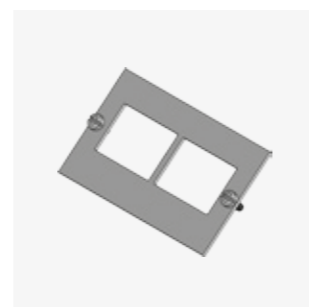
UDEP AMP SL
Installation board, data technology



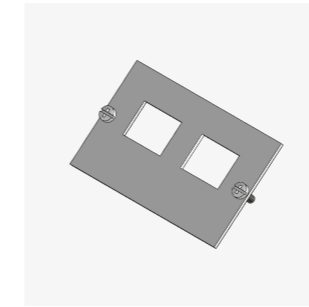
UDEP GG45
Installation board, data technology



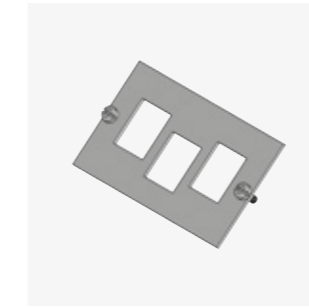
UDEP KR
Installation board, data technology



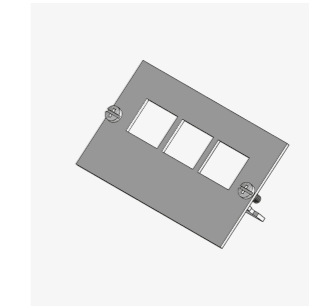
UDEP RM
Installation board, data technology



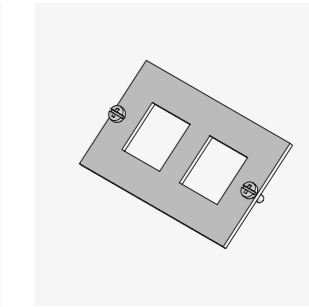
UDEP RMSC 2
Installation board, data technology



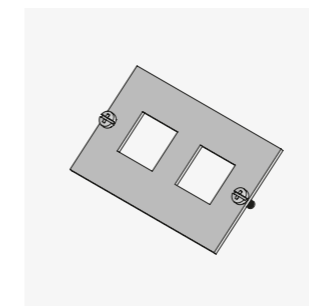
UDEP RMSC 3
Installation board, data technology



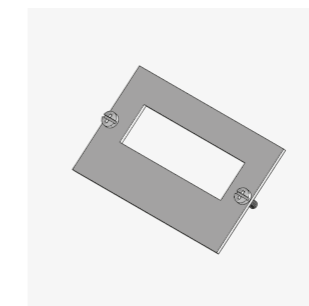
UDEP KEL
Installation board, data technology



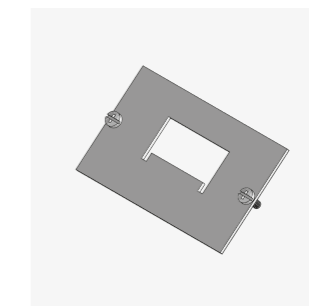
UDEP SYS 2
Installation board, data technology



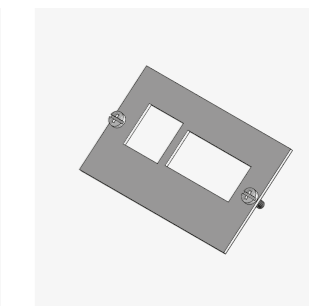
UDEP LEX
Installation board, data technology



UDEP 5PK
Installation board, plug-in systems



UDEP 5PCOM
Installation board, plug-in systems



UDEP 3PK
Installation board, plug-in systems

UGETD KM

Device carriers, Kindermann

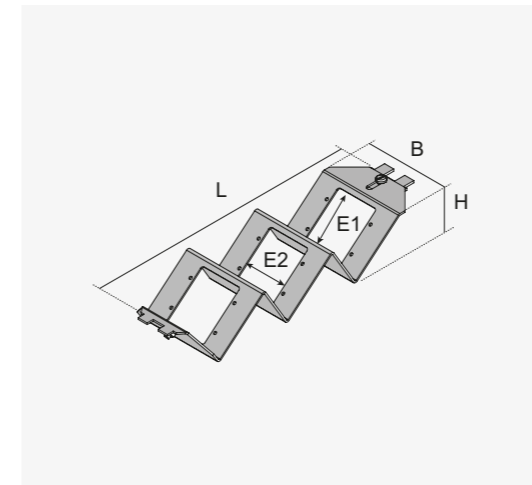


Areas of application

Kindermann is one of the leading German manufacturers of conference and media technology. Our UGETD KM is a device carrier that we developed especially for Kindermann faceplates. Up to six of the manufacturer's half faceplates fit on the device carrier. The UGETD KM is used instead of a mounting box

Technical data

UGETD KM Device carriers, audio/video technology



Type	H mm	H _{min} mm	B mm	L mm	E1 mm	E2 mm	Colour	G kg
UGETD-6-KM 226	40	83	75	227	48	38	Black (similar to RAL 9011)	0.16

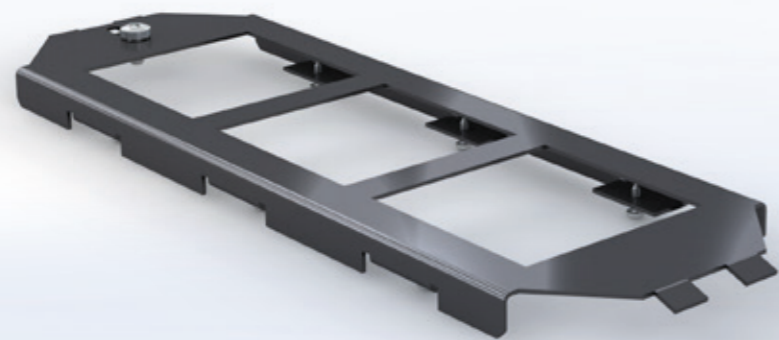
H: Height | H_{min}: Minimum installation height | B: Width | L: Length | E: Installation dimension | G: Weight



Maximum number of Kindermann faceplates 50 x 50 mm:
 6x audio/video connection half faceplates or
 3x audio/video connection full faceplates

UGET 3-3

Device carrier, couler clip

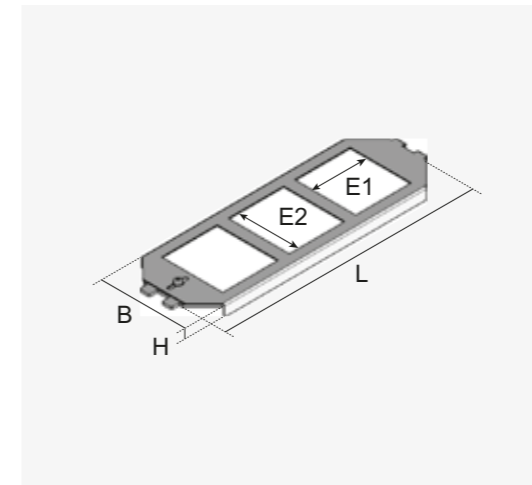


Areas of application

Couler clip installation devices can be installed using our UGET 3-3. The device carrier is made from sheet steel and provides space for up to three installation devices. It is used instead of a mounting box.

Technical data

UGET 3-3 Device carrier, 3x UDAE



Type	H mm	B mm	L mm	E1 mm	E2 mm	Colour	G kg
UGET-3-3 226	10	75	220	50	50	Black (similar to RAL 9011)	0.12

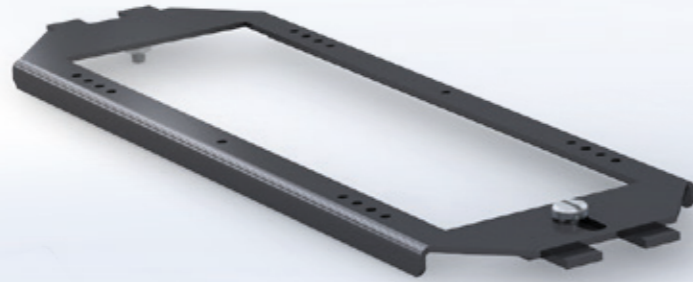
H: Height | H_{min}: Minimum installation height | B: Width | L: Length | E: Installation dimension | G: Weight



Maximum number of couler clip installation devices:
 3x couler clip installation devices

UGET 3-1

AMP/ACO device carrier

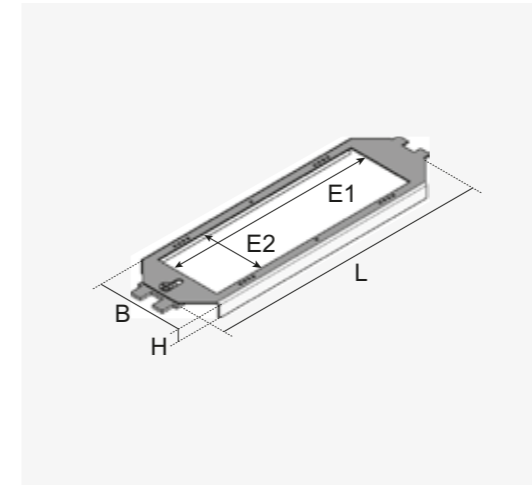


Areas of application

Up to three AMP/ACO installation boards can be inserted into our UGET 3-1 device carriers. The product is made of sendzimir hot-dip galvanised steel. The device carrier is used instead of a mounting box.

Technical data

UGET 3-1 Device carriers, 3x AMP/ACO



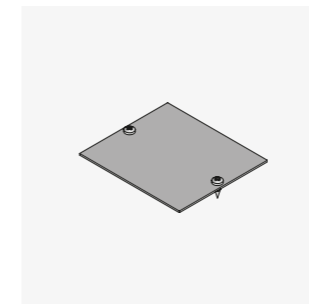
Type	H mm	B mm	L mm	E1 mm	E2 mm	Colour	G kg
UGET-3-1 226	7	71.5	226	117	50.5	Black (similar to RAL 9011)	0.10

H: Height | H_{min}: Minimum installation height | B: Width | L: Length | E: Installation dimension | G: Weight



Maximum number of couler clip installation devices:
3x ACO-AMP boards 60 x 70mm

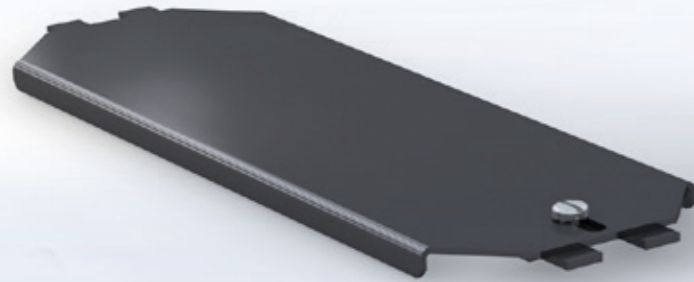
Installation components



UAA B 65
Cover

UGET B

Device carrier, dummy

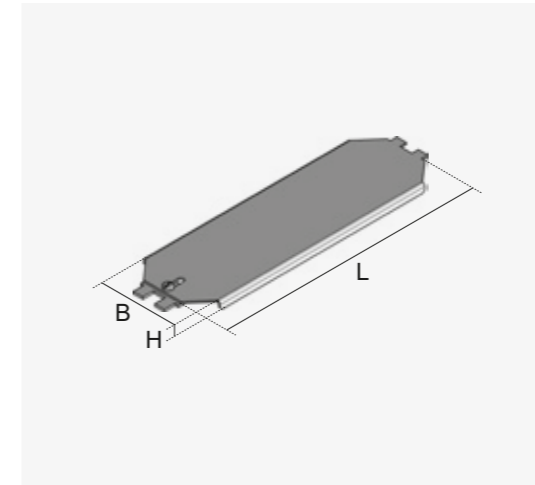


Areas of application

The installation slots in the unused units can be closed easily and securely using the UGET B. This dummy device carrier is fixed in place in the snap-in ladders of the unit using a snap-in slider. The product is used instead of a mounting box.

Technical data

UGET B Device carrier, dummy

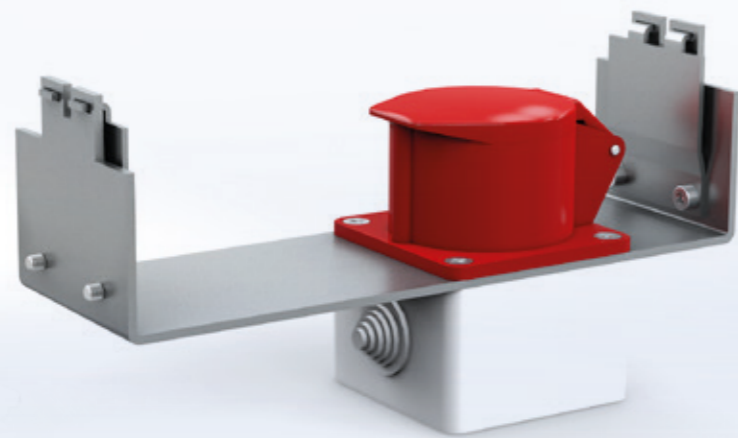


Type	H mm	B mm	L mm	Colour	G kg
UGET-B 226	7	71.5	226	Black (similar to RAL 9011)	0.17

H: Height | H_{min}: Minimum installation height | B: Width | L: Length | G: Weight

UGET CEE

Device carrier, CEE

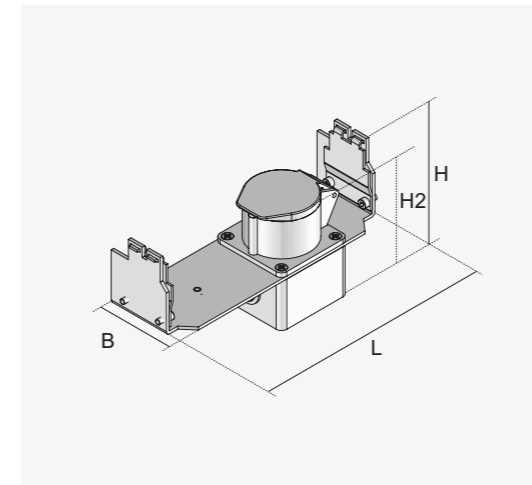


Areas of application

The UGET CEE is equipped with a 16-amp or 32-amp CEE socket. It is easiest to insert this component in the middle of the snap-in ladder and fix it in place using fastening screws. The device carrier is made of galvanised sheet steel and requires a deep floor structure. We recommend using an angled plug to install the UGET CEE. The device carrier is used instead of a mounting box.

Technical data

UGET CEE Device carriers CEE socket

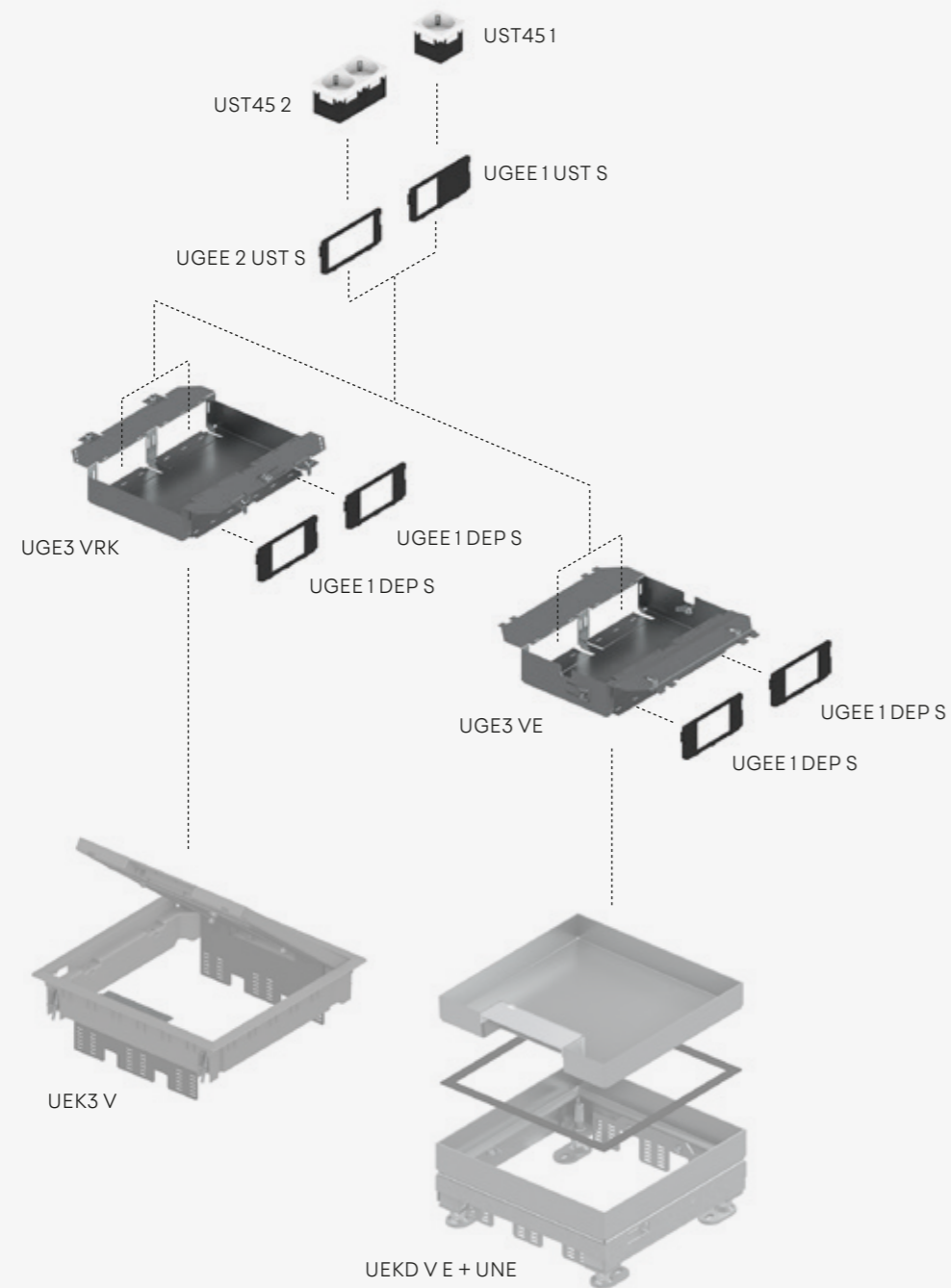


Type	H mm	H2 mm	Hmin mm	B mm	L mm	Design	G kg
UGET-CEE16 226	122	115	185	75	236	16 A (3-pin + N + PE)	0.90
UGET-CEE32 226	122	120	210	75	236	32 A (3-pin + N + PE)	0.96

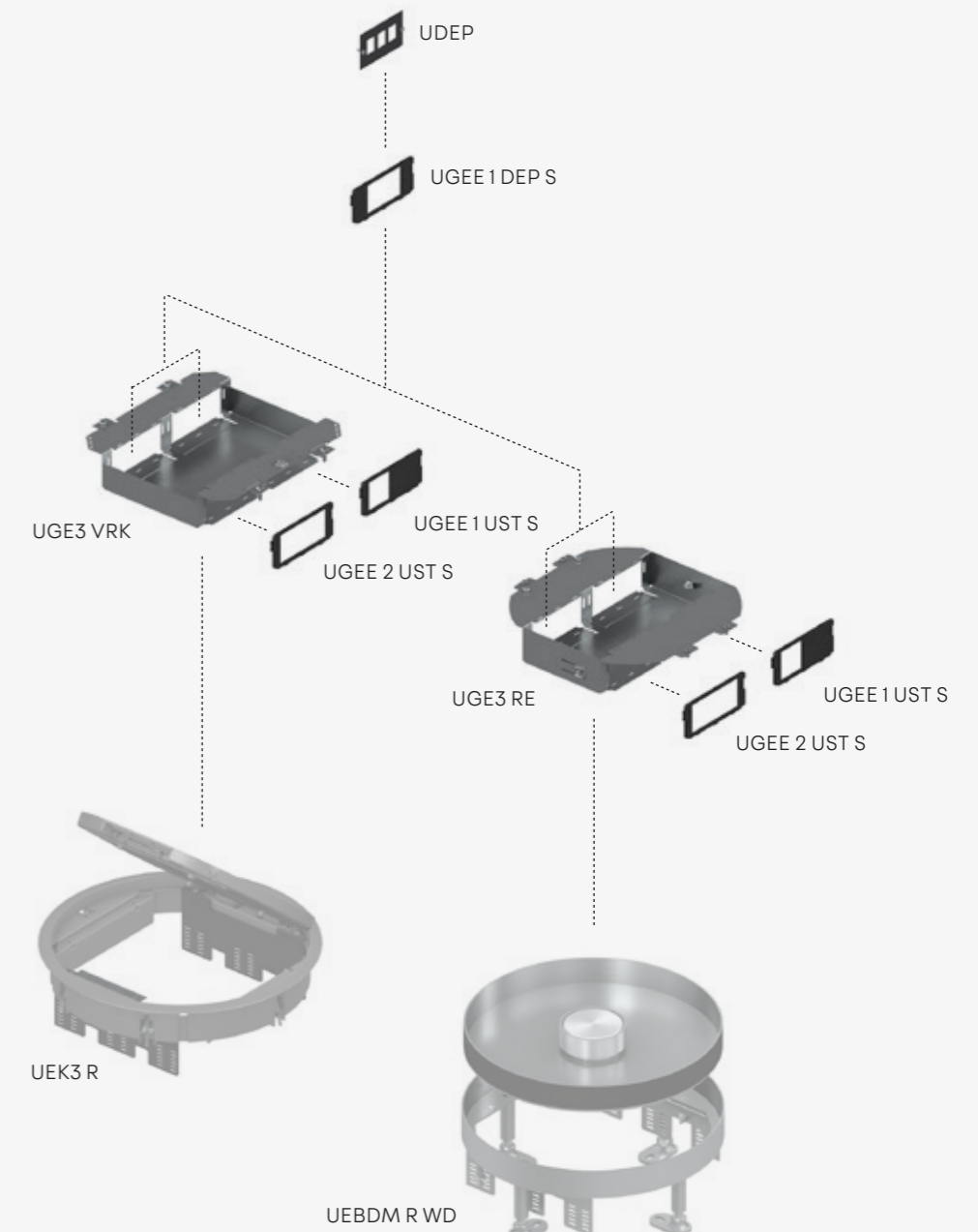
H: Height | H_{min}: Minimum installation height | B: Width | L: Length | G: Weight

Mounting box inserts

System overview

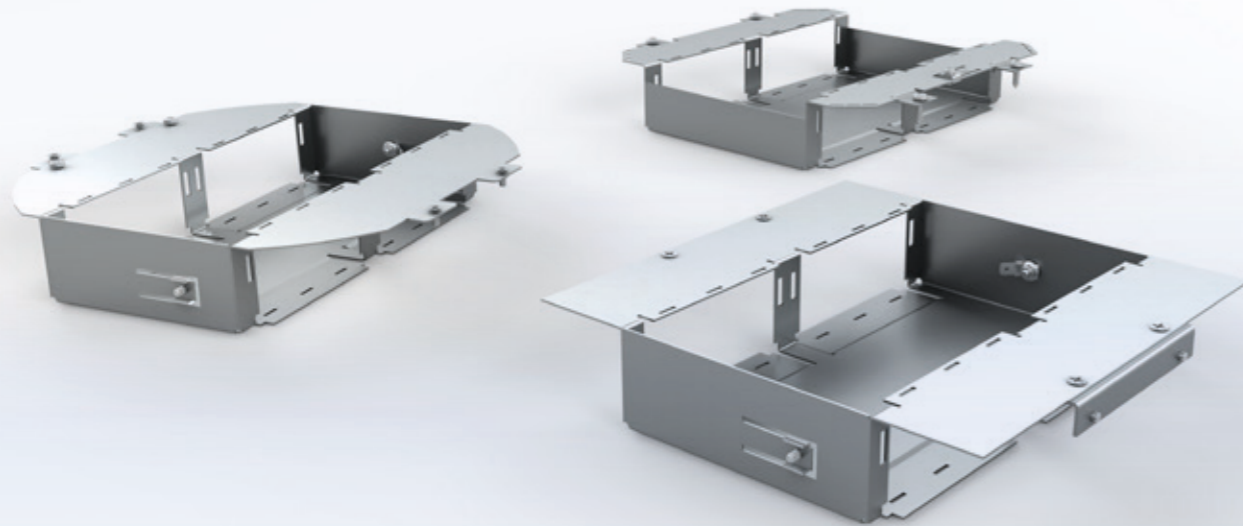


Our mounting box inserts made of galvanised sheet steel can be used in round or square plastic and stainless steel units. They accommodate a maximum of four installation devices 45x45 mm in size and a maximum of six single data jacks. They require a floor structure at least 65 mm thick for installation. Both power and data technology cables can be connected using straight and angled plugs. The installation space and the dimensions of the connection system must be taken into account. A 0-degree single socket and our UGEE 1 UST S board must be used if you wish to use an angled plug. In contrast to mounting boxes, the installation devices are installed horizontally in the inserts.



UGE3

Mounting box inserts



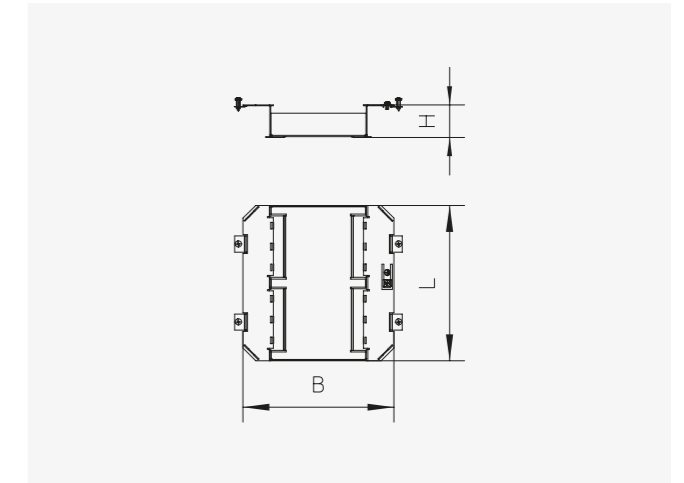
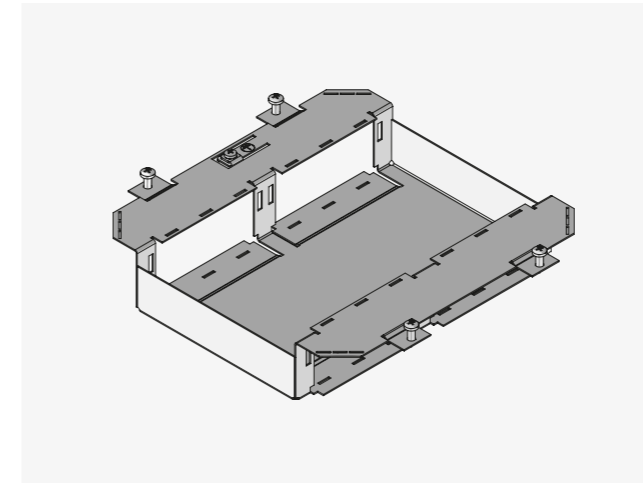
Areas of application

Our UGE3 mounting box inserts are recommended for use in very thin floor structures. Floor thicknesses of only 100, 85 or 65 mm are sufficient depending on the type (RE, VE, VRK). The plugs are inserted into the side of the installation devices. The mounting box and faceplate form a single unit.

The UGE3 VRK is suitable for both round and square plastic units. The UGE3 VE is used for square stainless steel units and the UGE3 RE for round units.

Technical data

UGE3 VRK Mounting box insert, triple, for plastic units



Type	H mm	Hmin mm	B mm	L mm	G kg
UGE3-VRK 4	46	65	252	226	0.53

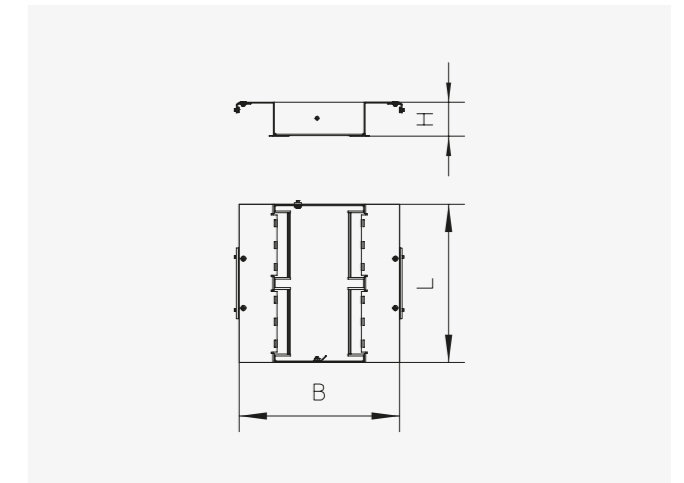
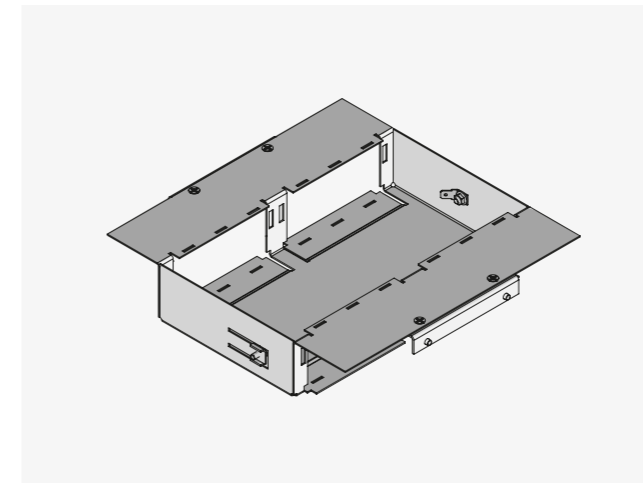
H: Height | Hmin: Minimum height | B: Width | L: Length | G: Weight



Maximum number of installation devices:
4x 45x45 mm

Data jacks:
6x

UGE3 VE Mounting box insert, triple, for stainless steel units, quadrangular



Type	H mm	Hmin mm	B mm	L mm	G kg
UGE3-VE 4	47	85	227	224	0.59

H: Height | Hmin: Minimum height | B: Width | L: Length | G: Weight

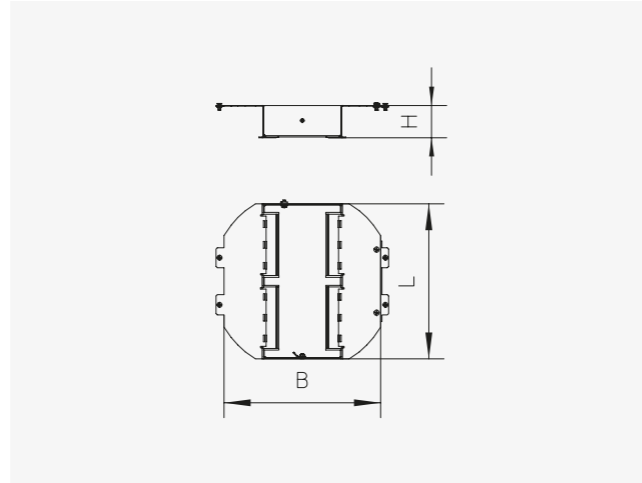
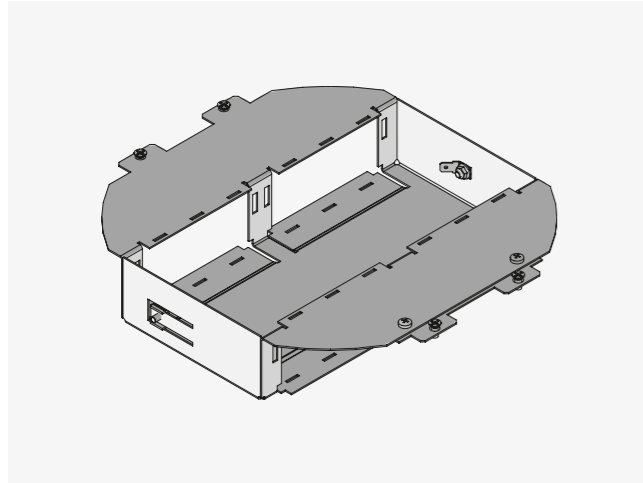


Maximum number of installation devices:
4x 45x45 mm


Data jacks:
6x

Technical data

UGE3 RE Mounting box insert, triple, for stainless steel units, round



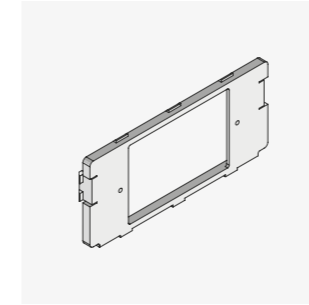
Type	H mm	Hmin mm	B mm	L mm	G kg
UGE3-RE 4	47	100	247	226	0.53

 Maximum number of installation devices:
4x 45x45 mm

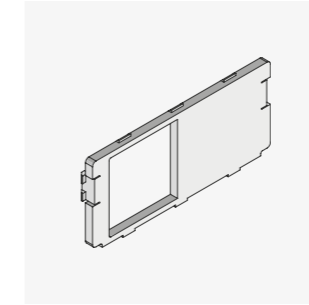
Data jacks:
6x

H: Height | Hmin: Minimum height | B: Width | L: Length | G: Weight

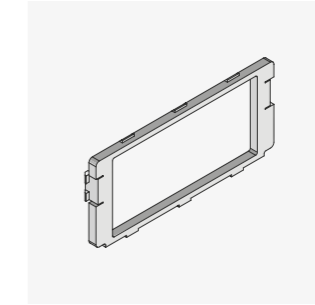
Installation components



UGEE1DEP S
Device panel,
1x installation board, UDEP



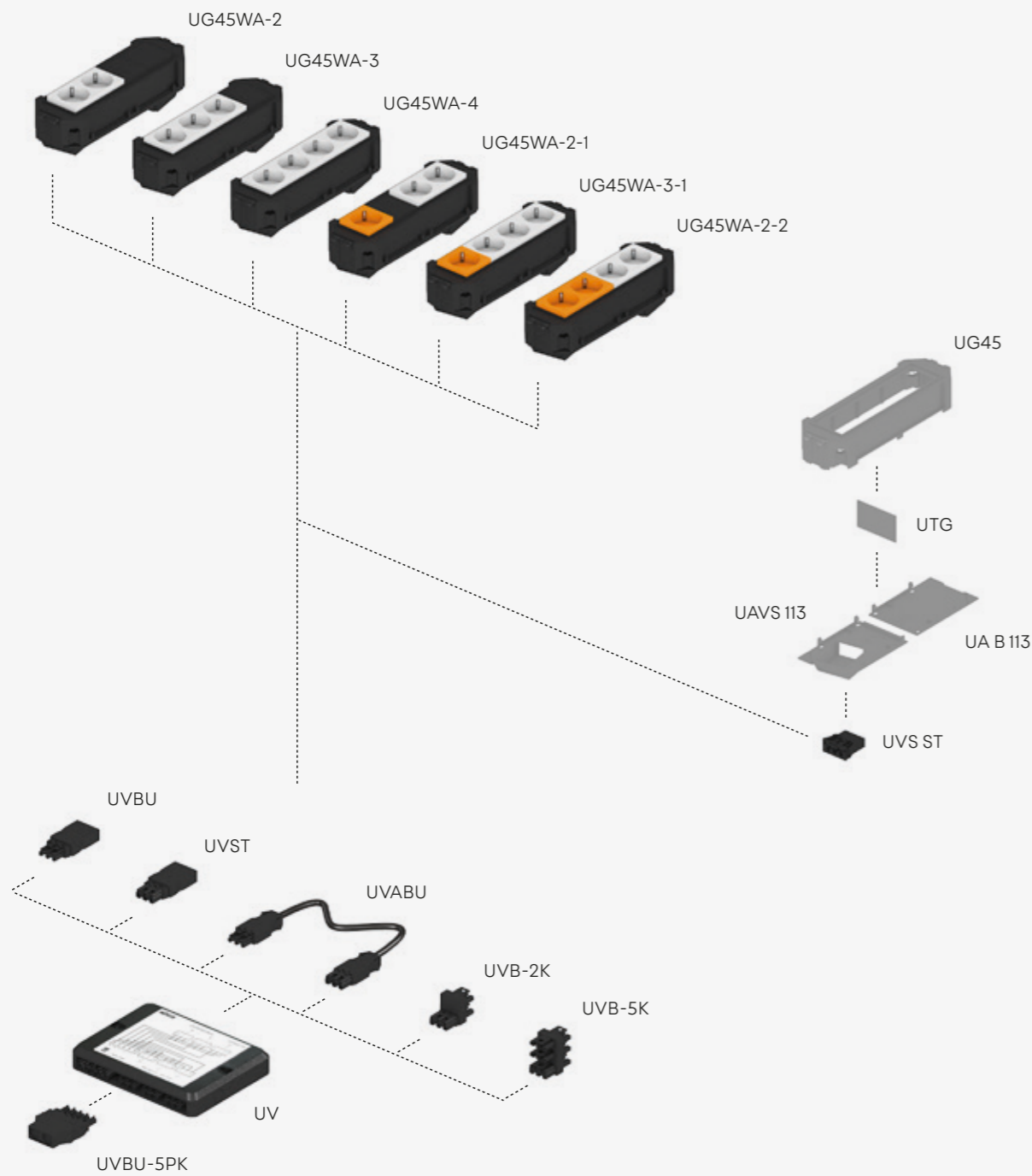
UGEE1UST S
Device panel, 1x power technology 45x45mm
(0° socket)



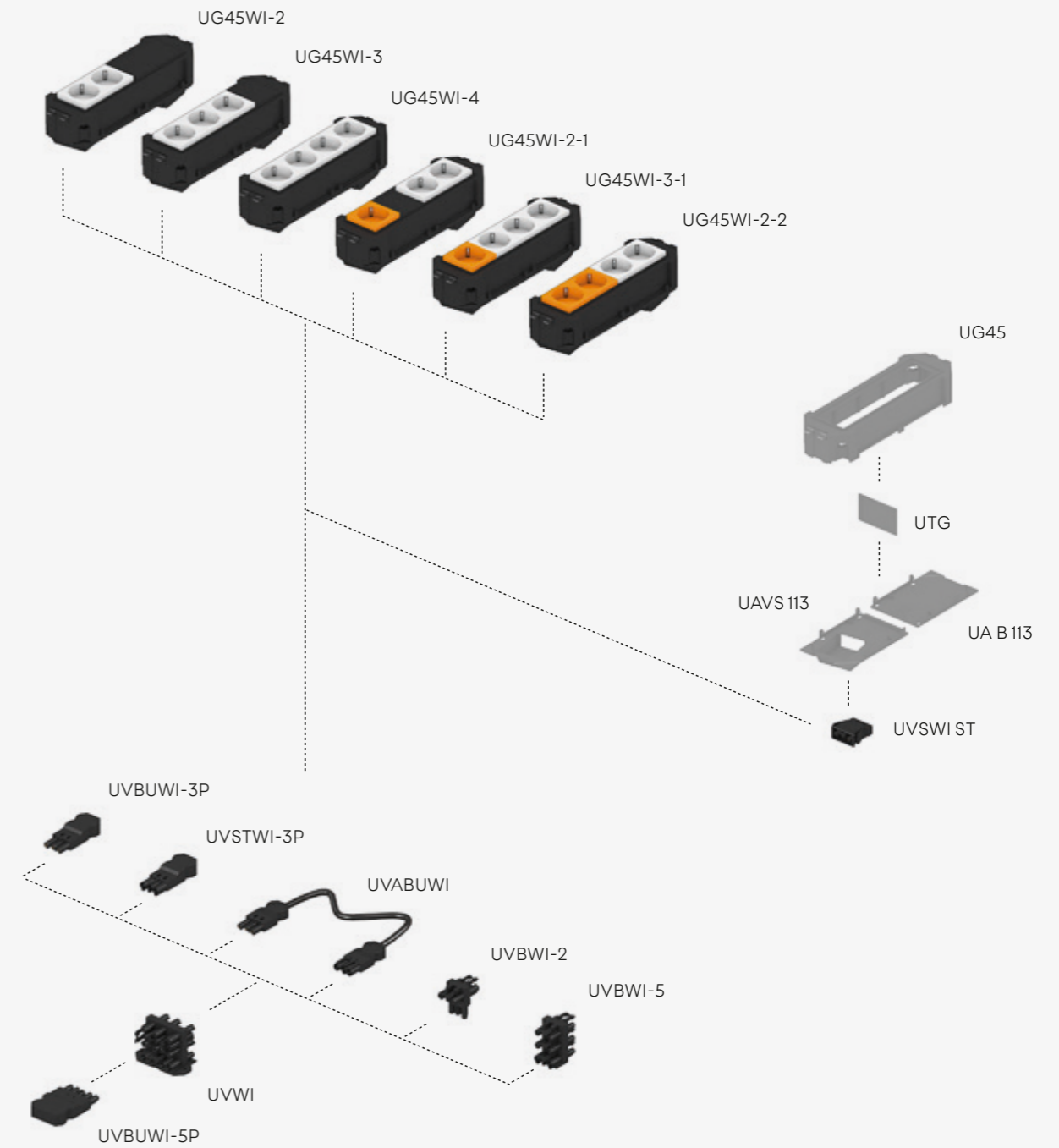
UGEE2UST S
Device panel, 2x power technology 45x45mm

Plug-in connector systems

System overview



We carry pre-assembled mounting boxes with plug-in system components made by our system partners Wieland and WAGO for use in raised floors and hollow floors. The mounting boxes come pre-assembled, eliminating the need for laborious assembly and wiring of the installation system on site. This reduces assembly times and prevents installation errors.



UG45WA

Plug-in connector system, WAGO

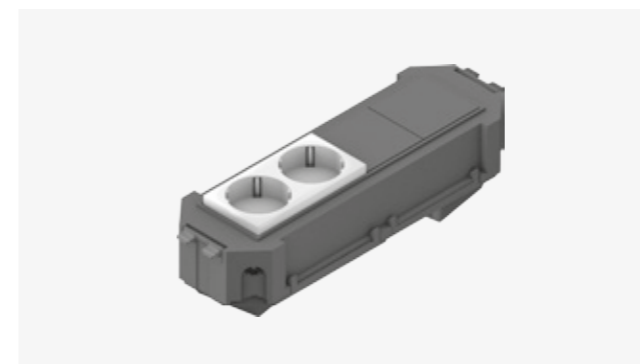


Areas of application

The basis of the pre-assembled WAGO plug-in connector system is the UG45 mounting box. This component is supplied complete with pre-wired sockets, matching cover plates, a snap-in connector piece and, if necessary, a separating strip. White sockets have black snap-in connectors. Coloured sockets have white snap-in connectors. The mating face is rectangular. Our UG45WA plug-in connector system is suitable for both round and square units and has space for up to four power technology installation devices.

Technical data

UG45WA-2 Mounting box, pre-assembled, WAGO



Type	H mm	B mm	L mm	Design	Snap-in connector colour	G kg
UG45WA-W2	68	74	225	2x pure white	Black	0.24
UG45WA-G2	68	74	225	2x green	White	0.24
UG45WA-O2	68	74	225	2x orange	White	0.24

H: Height | B: Width | L: Length | G: Weight
 Scope of delivery: includes strain relief and screws

UG45WA-3 Mounting box, pre-assembled, WAGO



Type	H mm	B mm	L mm	Design	Snap-in connector colour	G kg
UG45WA-W3	68	74	225	3x pure white	Black	0.27
UG45WA-G3	68	74	225	3x green	White	0.27
UG45WA-O3	68	74	225	3x orange	White	0.27

H: Height | B: Width | L: Length | G: Weight | Scope of delivery: includes strain relief and screws

Technical data

UG45WA-4 Mounting box, pre-assembled, WAGO



Type	H mm	B mm	L mm	Design	Snap-in connector colour	G kg
UG45WA-W4	68	74	225	4x pure white	Black	0.30
UG45WA-O4	68	74	225	4x orange	White	0.30

H: Height | B: Width | L: Length | G: Weight | Scope of delivery: includes strain relief and screws

UG45WA-2-1 Mounting box, pre-assembled, WAGO



Type	H mm	B mm	L mm	Design	Snap-in connector colour	G kg
UG45WA-W2O1	68 mm	74 mm	225 mm	2x pure white + 1x orange	Black/white	0.33
UG45WA-O2W1	68 mm	74 mm	225 mm	2x orange + 1x pure white	White/black	0.33

H: Height | B: Width | L: Length | G: Weight | Scope of delivery: includes strain relief and screws

Technical data

UG45WA-3-1 Mounting box, pre-assembled, WAGO



Type	H mm	B mm	L mm	Design	Snap-in connector colour	G kg
UG45WA-W3O1	68 mm	74 mm	225 mm	3x pure white + 1x orange	Black/white	0.34
UG45WA-O3W1	68 mm	74 mm	225 mm	3x orange + 1x pure white	White/black	0.34

H: Height | B: Width | L: Length | G: Weight
Scope of delivery: includes strain relief and screws

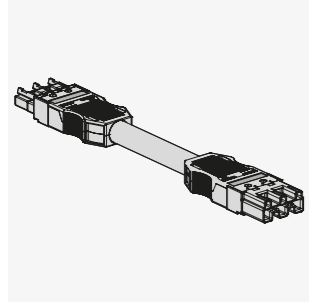
UG45WA-2-2 Mounting box, pre-assembled, WAGO



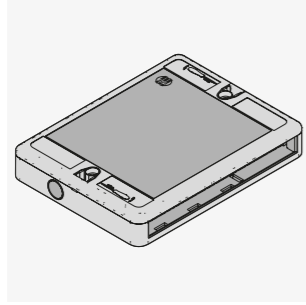
Type	H mm	B mm	L mm	Design	Snap-in connector colour	G kg
UG45WA-W2O2	68 mm	74 mm	225 mm	2x pure white + 2x orange	Black/white	0.36
UG45WA-W2G2	68 mm	74 mm	225 mm	2x pure white + 2x green	Black/white	0.36

H: Height | B: Width | L: Length | G: Weight | Scope of delivery: includes strain relief and screws

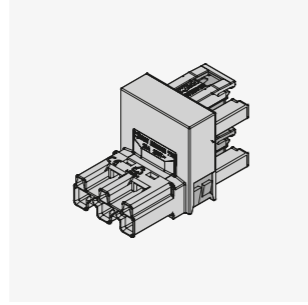
Installation components



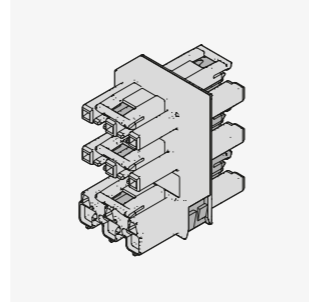
UVABU
Plug to socket connecting line, WAGO



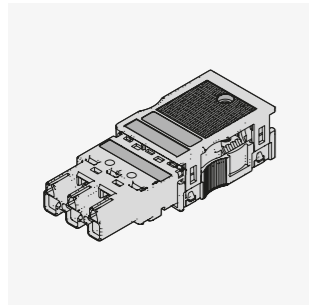
UV
Distributor box, WAGO



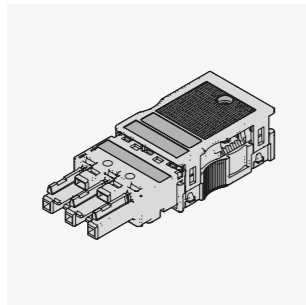
UVB-2K
Distributor block, 2x3-pin, WAGO



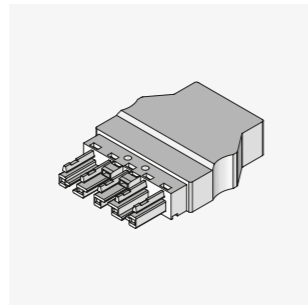
UVB-5K
Distributor block, 5x3-pin, WAGO



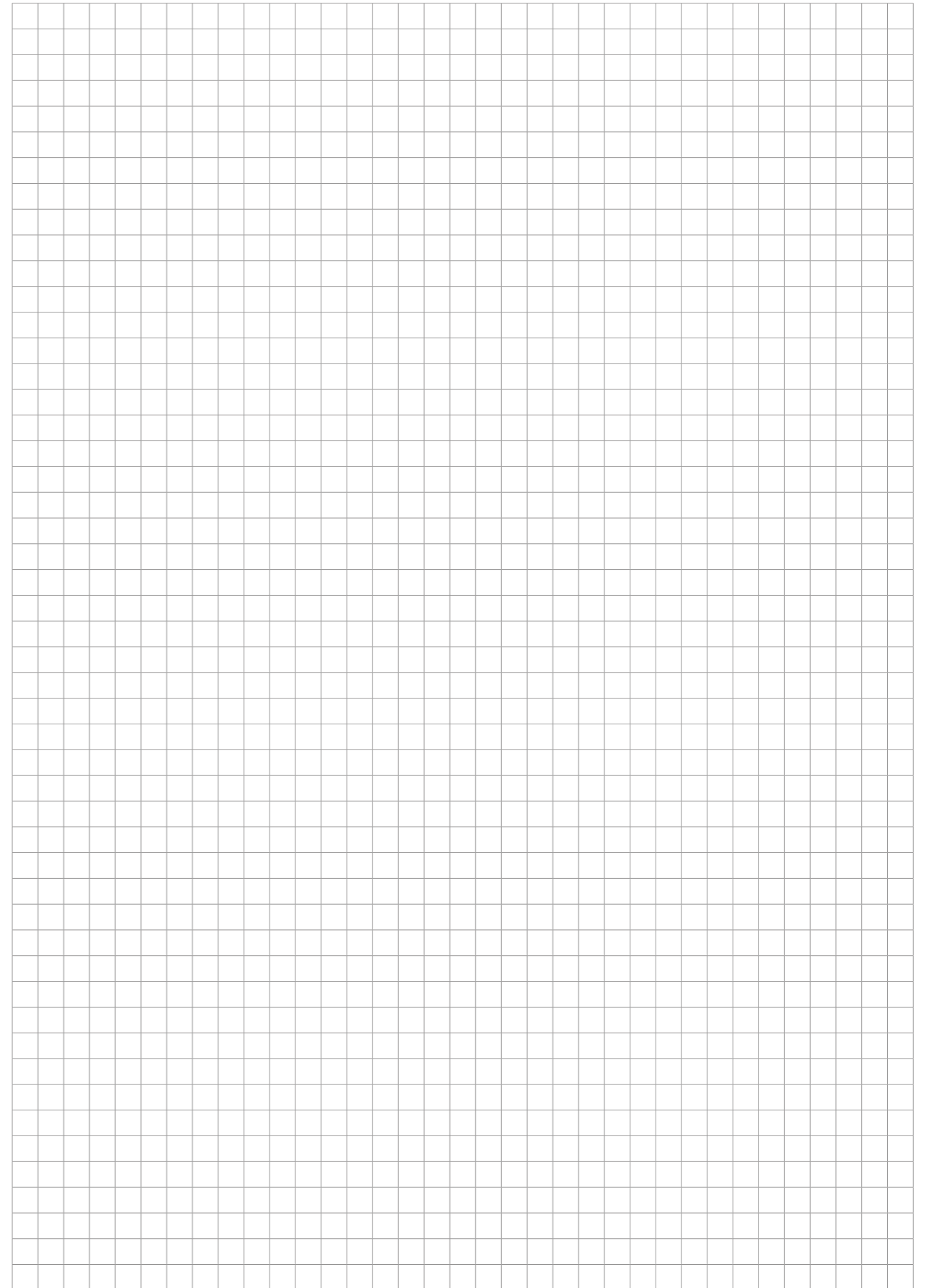
UVST-3
Plug component, WAGO



UVBU-3
Socket component, WAGO



UVBU-5
Socket component, WAGO



UG45WI

Plug-in connector system, Wieland



Areas of application

The UG45 pre-assembled mounting box is the basis of our Wieland plug-in connector system. It is supplied completely assembled with Wieland snap-in connector piece, pre-wired sockets, cover plates, all mounting materials and a separating strip, if required. The white sockets have black snap-in connectors and the coloured sockets have white snap-in connectors. The mating face is round. The system can be plugged into round or square units and has space for up to four power technology installation devices.

Technical data

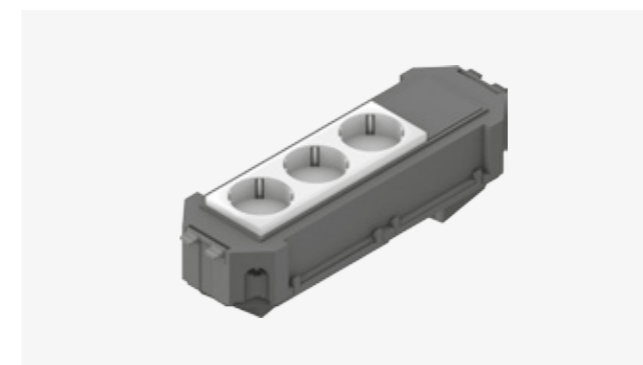
UG45WI-2 Mounting box, pre-assembled, Wieland



Type	H mm	B mm	L mm	Design	Snap-in connector colour	G kg
UG45WI-W2	68	74	225	2x pure white	Black	0.23
UG45WI-G2	68	74	225	2x green	White	0.23
UG45WI-O2	68	74	225	2x orange	White	0.23

H: Height | B: Width | L: Length | G: Weight
Scope of delivery: includes strain relief and screws

UG45WI-3 Mounting box, pre-assembled, Wieland



Type	H mm	B mm	L mm	Design	Snap-in connector colour	G kg
UG45WI-W3	68	74	225	3x pure white	Black	0.27
UG45WI-G3	68	74	225	3x green	White	0.27
UG45WI-O3	68	74	225	3x orange	White	0.27

H: Height | B: Width | L: Length | G: Weight
Scope of delivery: includes strain relief and screws

Technical data

UG45WI-4 Mounting box, pre-assembled, Wieland



Type	H mm	B mm	L mm	Design	Snap-in connector colour	G kg
UG45WI-W4	68	74	225	4x pure white	Black	0.30
UG45WI-O4	68	74	225	4x orange	White	0.30

H: Height | B: Width | L: Length | G: Weight
Scope of delivery: includes strain relief and screws

UG45WI-2-1 Mounting box, pre-assembled, Wieland



Type	H mm	B mm	L mm	Design	Snap-in connector colour	G kg
UG45WI-W2O1	68 mm	74 mm	225 mm	2x pure white + 1x orange	Black/white	0.33
UG45WI-O2W1	68 mm	74 mm	225 mm	2x orange + 1x pure white	White/black	0.33

H: Height | B: Width | L: Length | G: Weight
Scope of delivery: includes strain relief and screws

Technical data

UG45WI-3-1 Mounting box, pre-assembled, Wieland



Type	H mm	B mm	L mm	Design	Snap-in connector colour	G kg
UG45WI-W3O1	68 mm	74 mm	225 mm	3x pure white + 1x orange	Black/white	0.34
UG45WI-O3W1	68 mm	74 mm	225 mm	3x orange + 1x pure white	White/black	0.34

H: Height | B: Width | L: Length | G: Weight
Scope of delivery: includes strain relief and screws

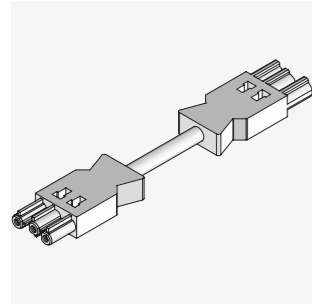
UG45WI-2-2 Mounting box, pre-assembled, Wieland



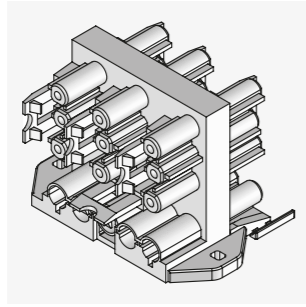
Type	H mm	B mm	L mm	Design	Snap-in connector colour	G kg
UG45WI-W2O2	68 mm	74 mm	225 mm	2x pure white + 2x orange	Black/white	0.36
UG45WI-W2G2	68 mm	74 mm	225 mm	2x pure white + 2x green	Black/white	0.36

H: Height | B: Width | L: Length | G: Weight
Scope of delivery: includes strain relief and screws

Installation components



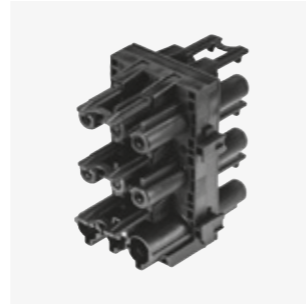
UVABUWI
Plug to socket connecting line, Wieland



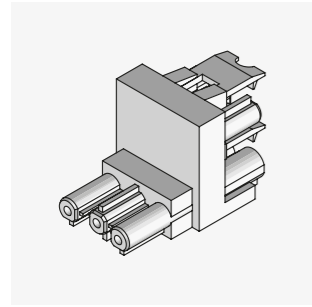
UVWI
Distributor block, Wieland



UVBWI-2
Distributor block, Wieland



UVBWI-5
Distributor block, Wieland



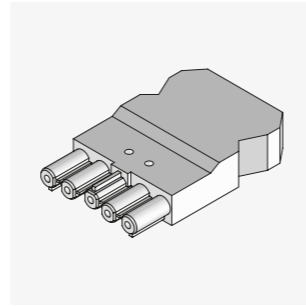
UVBHWI-2
Distributor block, Wieland



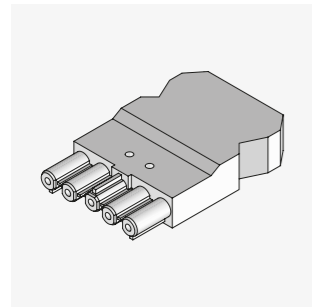
UVSTWI-3
Plug component, Wieland



UVBUWI-3
Socket component, Wieland



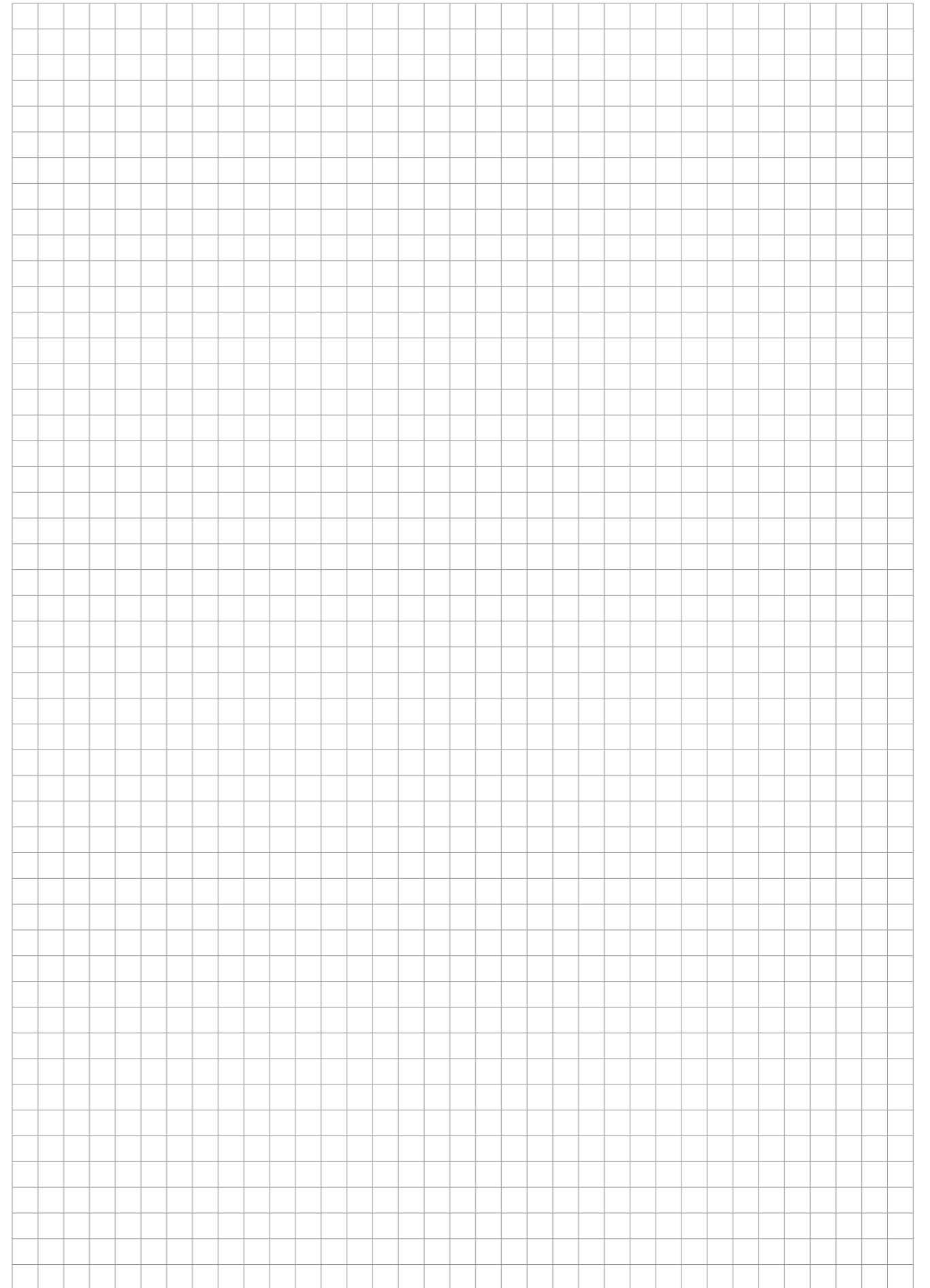
UVBUWI-5
Socket component, Wieland



UVBUWI-4.0-5
Socket component, Wieland

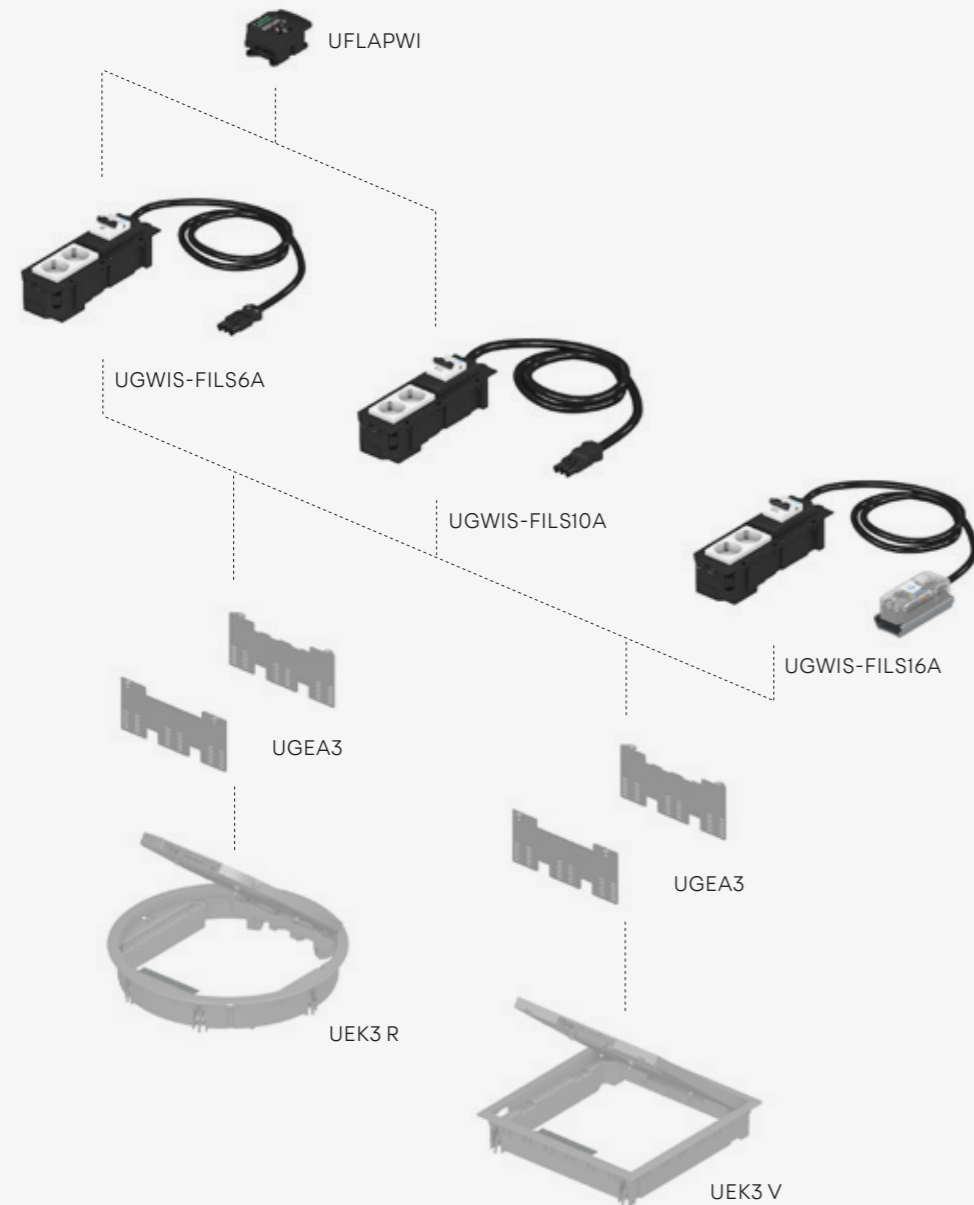


UVSWI ST
Snap-in piece, socket, Wieland



Plug-in connector system RCCB

System overview
Our RCCB connector systems are solutions with combined residual current protection and circuit breakers. These pre-assembled mounting boxes are each supplied with a combined residual current circuit breaker (RCCB) and two sockets. They also include a flat cable plug or flat cable adapter for direct connection to flat cables. The plug-in cable connection is located at the bottom of the mounting box. This means that the equipped unit can also be inserted into the floor at a later time without any great effort. The system is constructed from top to bottom, which leaves space at the sides for further mounting boxes.



UGWIS-FI/LS

RCCB plug-in connector systems, Wieland

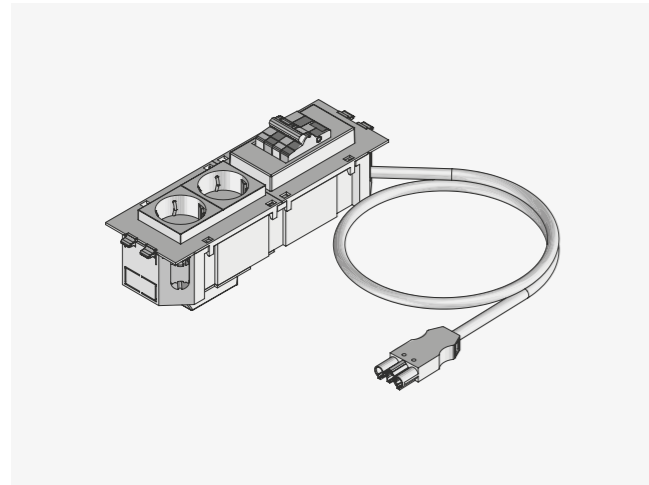


Areas of application

Our UGWIS-FI/LS connector system is not only quick to install, but also incredibly flexible. For instance, the system is available in 6, 10 or 16-amp versions. The cables are 2 m or 3 m long. In addition, the system allows you to connect further mounting boxes in the same unit or a following unit.

Technical data

UGWIS-FILS6A Mounting box, pre-assembled with RCCB switch, 6 A, Wieland

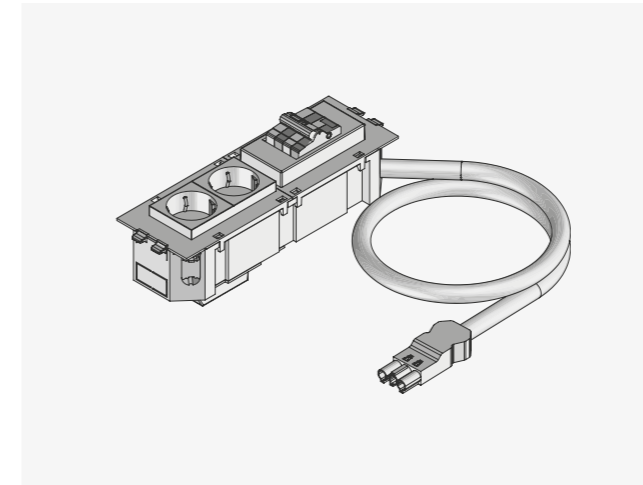


Type	H mm	B mm	L mm	Cable cross section mm ²	Design	Connection cable	Snap-in connector colour	G kg
UGWIS-W2FILS6A-300	103	74	225	2.50	2x pure white	3000	Black	0.98
UGWIS-O2FILS6A-300	103	74	225	2.50	2x orange	3000	White	0.98
UGWIS-W2FILS6A-200	103	74	225	2.50	2x pure white	2000	Black	0.83
UGWIS-O2FILS6A-200	103	74	225	2.50	2x orange	2000	White	0.83

H: Height | B: Width | L: Length | G: Weight
Scope of delivery: includes strain relief and screws

Technical data

UGWIS-FILS10A Mounting box, pre-assembled with RCCB switch, 10 A, Wieland

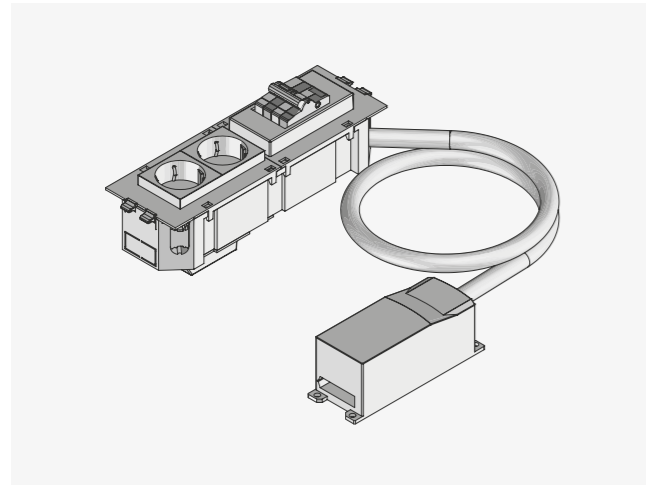


Type	H mm	B mm	L mm	Cable cross section mm ²	Design	Connection cable	Snap-in connector colour	G kg
UGWIS-W2FILS10A-300	103	74	225	4.00	2x pure white	3000	Black	1.34
UGWIS-O2FILS10A-300	103	74	225	4.00	2x orange	3000	White	1.34
UGWIS-W2FILS10A-200	103	74	225	4.00	2x pure white	2000	Black	1.08
UGWIS-O2FILS10A-200	103	74	225	4.00	2x orange	2000	White	1.08

H: Height | B: Width | L: Length | G: Weight
Scope of delivery: includes strain relief and screws

Technical data

UGWIS-FILS16A Mounting box, pre-assembled with RCCB switch, 16 A, Wieland



Type	H mm	B mm	L mm	Cable cross section mm ²	Design	Connection cable	Snap-in connector colour	G kg
UGWIS-W2FILS16A-300	103	74	225	4.00	2x pure white	3000	Black	1.93
UGWIS-O2FILS16A-300	103	74	225	4.00	2x orange	3000	White	1.93
UGWIS-W2FILS16A-200	103	74	225	4.00	2x pure white	2000	Black	1.67
UGWIS-O2FILS16A-200	103	74	225	4.00	2x orange	2000	White	1.67

H: Height | B: Width | L: Length | G: Weight
Scope of delivery: includes strain relief and screws

Installation components

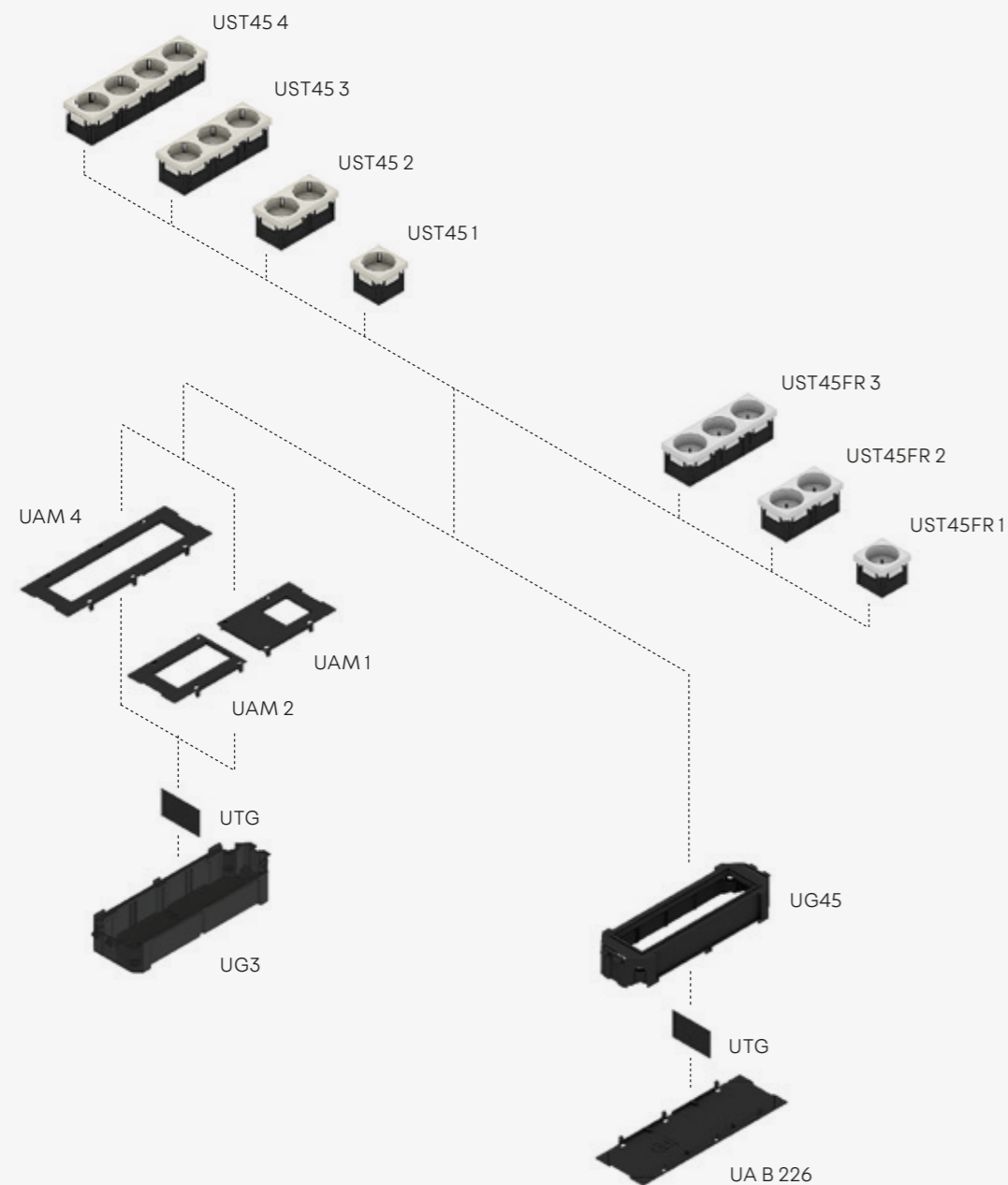


UFLAPWI
Flat cable adapter

Power technology

System overview

Our Schuko sockets are used in combination with the corresponding UAM cover plates in mounting boxes. The sockets snap into place on the cover plate. The product is available in single, double, triple and quadruple versions. The plug-in direction is either 33° or 0°. There are also different colour variants to choose from. We can supply our Schuko sockets in white, red, orange or green. The product is also available with an earthing pin on request.



UST45

Schuko sockets



Areas of application

Our UST45 Schuko sockets are available in different colours to enable different circuits to be easily identified. For example, white sockets could indicate normal power cables, red sockets IT connections, and green sockets safety components.

Technical data

UST45 1 Socket, single

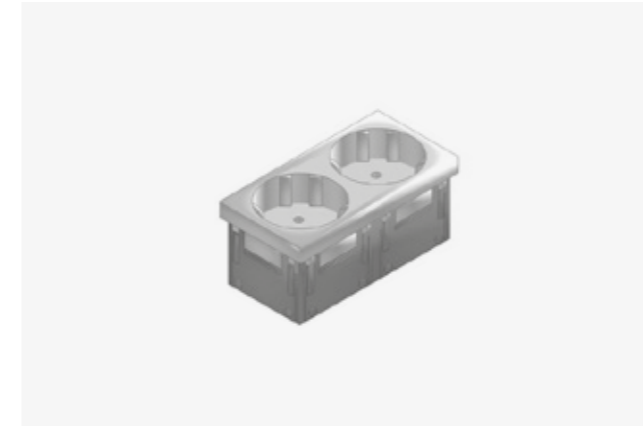


Type	H mm	B mm	L mm	Colour	Plug angle °	G kg
UST45-W 1	42	40	45	White (similar to RAL 9010)	33	0.04
UST45-R 1	42	40	45	Red (similar to RAL 3003)	33	0.04
UST45-O 1	42	40	45	Orange (similar to RAL 2004)	33	0.04
UST45-G 1	42	40	45	Green (similar to RAL 6029)	33	0.04
UST45-W 01	42	40	45	White (similar to RAL 9010)	0	0.04
UST45-R 01	42	40	45	Red (similar to RAL 3003)	0	0.04
UST45-O 01	42	40	45	Orange (similar to RAL 2004)	0	0.04
UST45-G 01	42	40	45	Green (similar to RAL 6029)	0	0.04
UST45-S 01	42	40	45	Black (similar to RAL 7021)	0	0.04

H: Height | B: Width | L: Length | G: Weight

Technical data

UST45 2 Socket, double

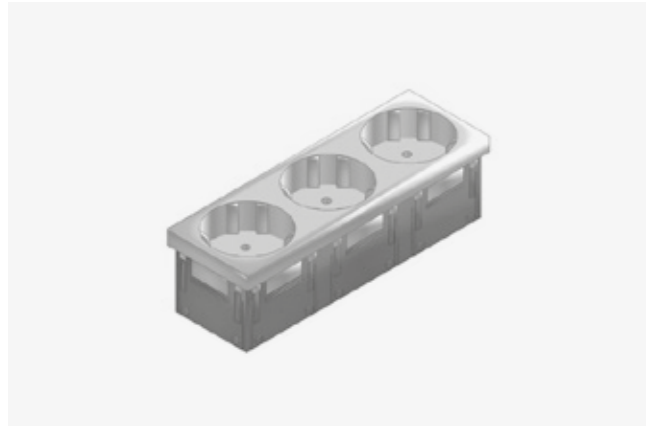


Type	H mm	B mm	L mm	Colour	Plug angle °	G kg
UST45-W 2	42	40	90	White (similar to RAL 9010)	33	0.07
UST45-R 2	42	40	90	Red (similar to RAL 3003)	33	0.07
UST45-O 2	42	40	90	Orange (similar to RAL 2004)	33	0.07
UST45-G 2	42	40	90	Green (similar to RAL 6029)	33	0.07

H: Height | B: Width | L: Length | G: Weight

Technical data

UST45 3 Socket, triple

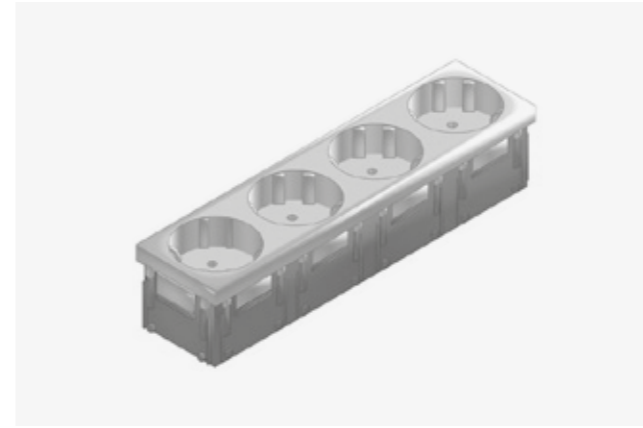


Type	H mm	B mm	L mm	Colour	Plug angle °	G kg
UST45-W 3	42	40	135	White (similar to RAL 9010)	33	0.11
UST45-R 3	42	40	135	Red (similar to RAL 3003)	33	0.11
UST45-O 3	42	40	135	Orange (similar to RAL 2004)	33	0.11
UST45-G 3	42	40	135	Green (similar to RAL 6029)	33	0.11

H: Height | B: Width | L: Length | G: Weight

Technical data

UST45 4 Socket, quadruple



Type	H mm	B mm	L mm	Colour	Plug angle °	G kg
UST45-W 4	40	40	180	White (similar to RAL 9010)	45	0.12
UST45-R 4	40	40	180	Red (similar to RAL 3003)	45	0.12

H: Height | B: Width | L: Length | G: Weight

UST45FR

Socket with earthing pin



Areas of application

UST45FR modules are equipped with earthing pins suitable for the French market. This socket can be used in mounting boxes in combination with UAM cover plates. The UST45FR is available in single, double and triple versions in red or white.

Technical data

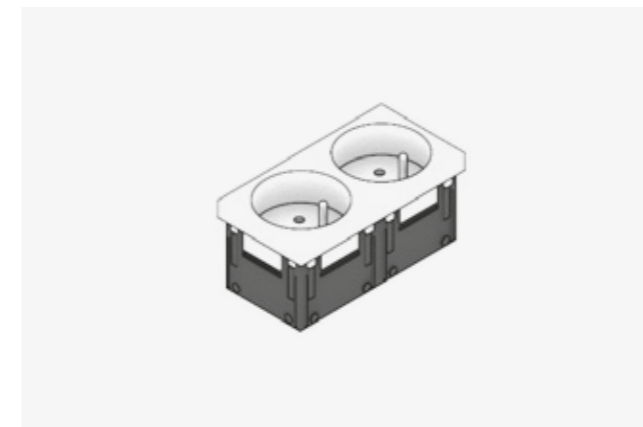
UST45FR 1 Installation socket with earthing pin, single



Type	H mm	B mm	L mm	Colour	Plug angle °	G kg
UST45FR-W 1	42	40	45	White (similar to RAL 9010)	33	0.04
UST45FR-R 1	42	40	45	Red (similar to RAL 3003)	33	0.04

H: Height | B: Width | L: Length | G: Weight

UST45FR 2 Installation socket with earthing pin, double

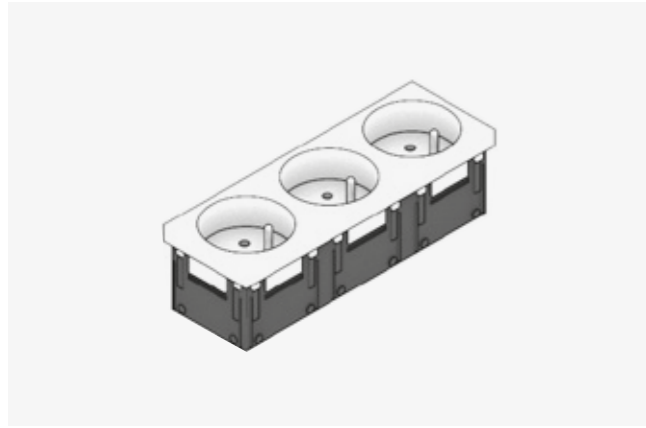


Type	H mm	B mm	L mm	Colour	Plug angle °	G kg
UST45FR-W 2	42	40	90	White (similar to RAL 9010)	33	0.07
UST45FR-R 2	42	40	90	Red (similar to RAL 3003)	33	0.07

H: Height | B: Width | L: Length | G: Weight

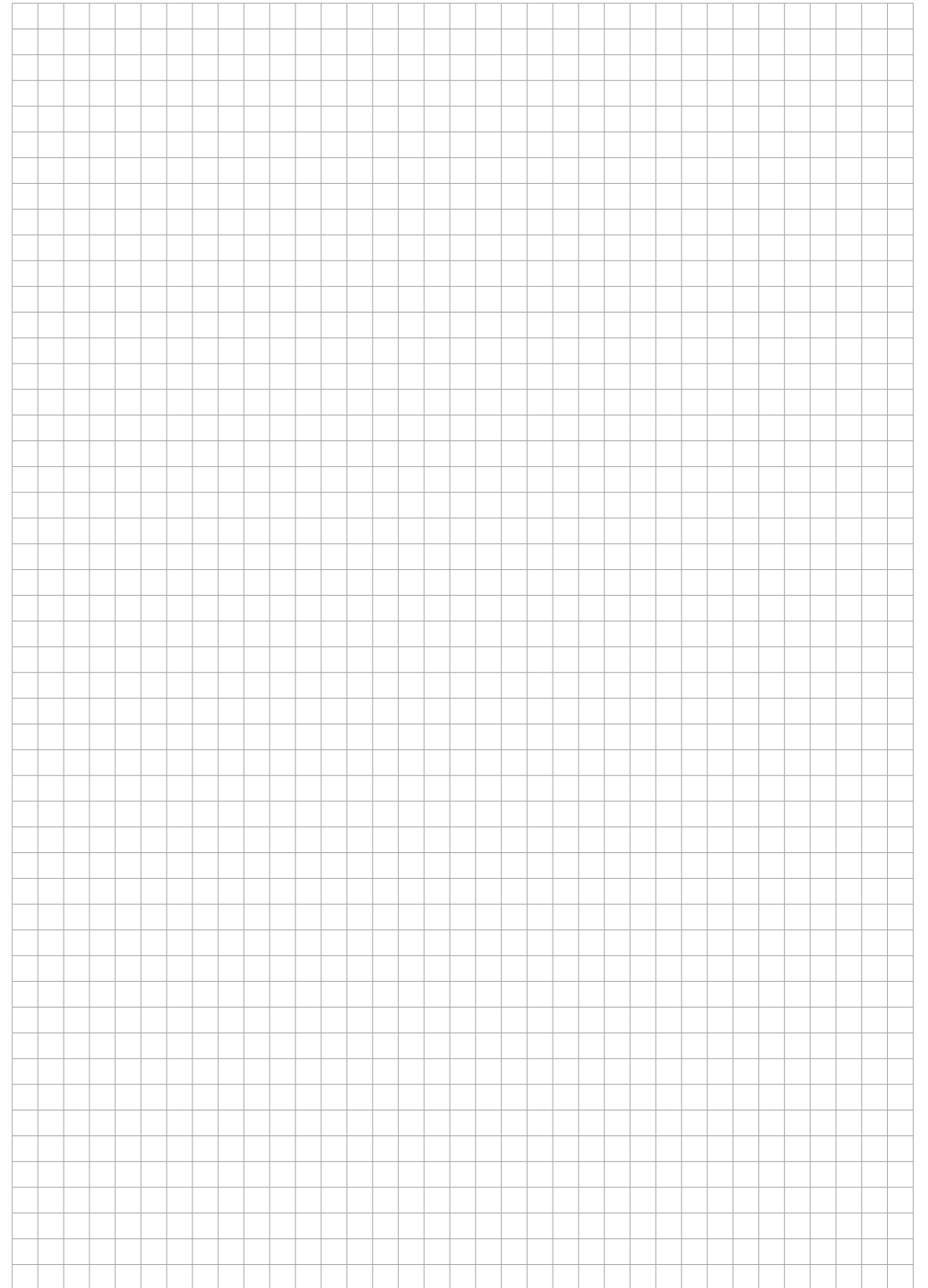
Technical data

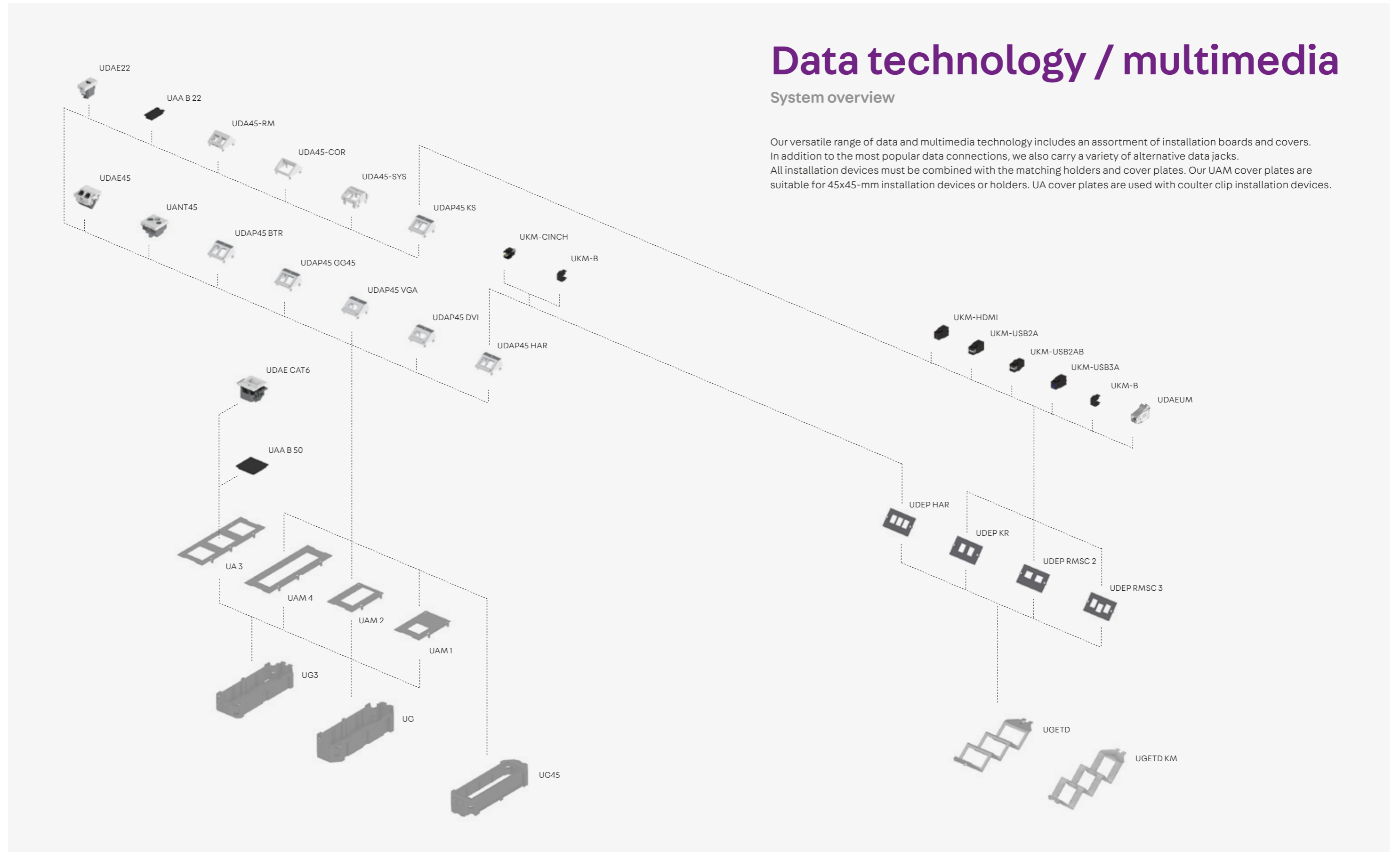
UST45FR 3 Installation socket with earthing pin, triple



Type	H mm	B mm	L mm	Colour	Plug angle °	G kg
UST45FR-W 3	42	40	115	White (similar to RAL 9010)	33	0.11
UST45FR-R 3	42	40	115	Red (similar to RAL 3003)	33	0.11

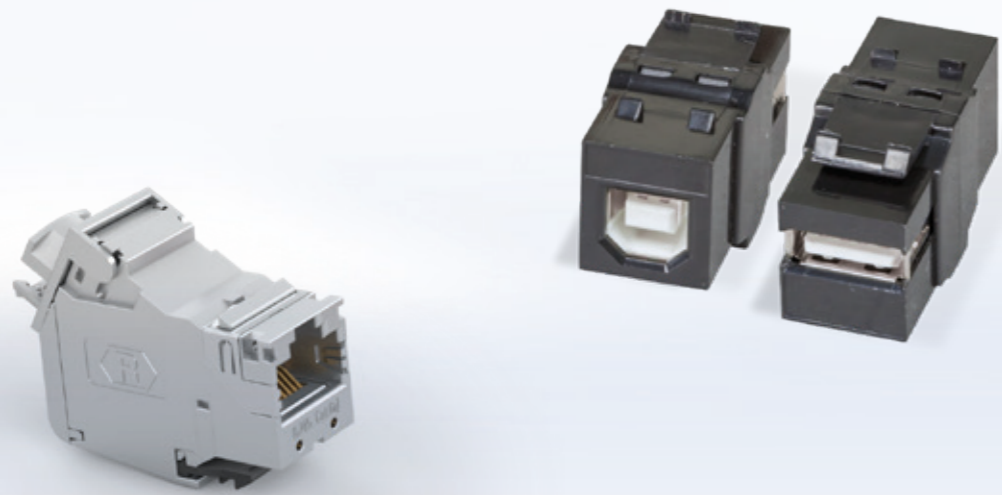
H: Height | B: Width | L: Length | G: Weight





UKM & UDAEUM

Keystone modules



Areas of application

The equipment of underfloor units can be augmented by adding Keystone and data connection modules. Our UDAEUM is a universal, Cat.6A data connection module that is perfect for standard Keystone ports. We also provide a range of Keystone installation adapters with cinch, HDMI, USB 2.0 and USB 3.0 connections. All modules snap firmly in place in the corresponding data port. The connectors of our UKM-CINCH snap-in adapter are colour-coded as follows: yellow = video, red = right stereo channel, white = left stereo channel.

Technical data

UKM-B Keystone dummy inserts



Type	H mm	B mm	G kg
UKM-B-S	19.5	14.7	0.01

H: Height | B: Width | G: Weight

UKM-CINCH Keystone snap-in adapter, cinch



Type	H mm	B mm	Colour	G kg
UKM-CINCHG-S	19.1	14.7	Yellow	0.01
UKM-CINCHR-S	19.1	14.7	Red	0.01
UKM-CINCHW-S	19.1	14.7	White	0.01

H: Height | B: Width | G: Weight

UKM-HDMI Keystone snap-in adapter, HDMI



Type	H mm	B mm	G kg
UKM-HDMI-S	19.5	14.7	0.01

H: Height | B: Width | G: Weight

Technical data

UKM-USB2A Keystone snap-in adapter, USB 2.0



Type	H mm	B mm	G kg
UKM-USB2A-S	19.5	14.7	0.01

H: Height | B: Width | G: Weight

UKM-USB2AB Keystone snap-in adapter, USB 2.0



Type	H mm	B mm	G kg
UKM-USB2AB-S	19.5	14.7	0.01

H: Height | B: Width | G: Weight

UKM-USB3A Keystone snap-in adapter, USB 3.0

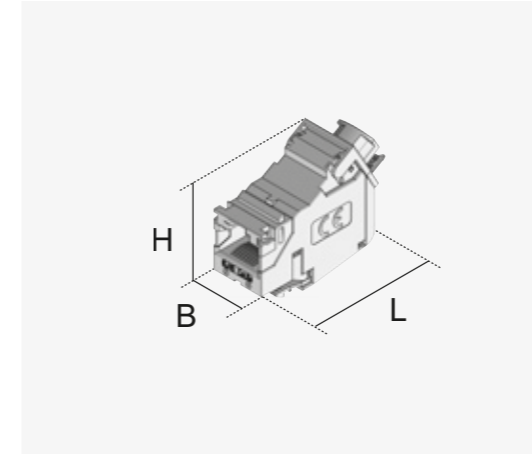


Type	H mm	B mm	G kg
UKM-USB3A-S	19.5	14.7	0.01

H: Height | B: Width | G: Weight

Technical data

UDAEUM Data connection module



Type	H mm	B mm	L mm	Colour	G kg
UDAEUM-CAT6 1	31	14.6	35.5	White	0.03

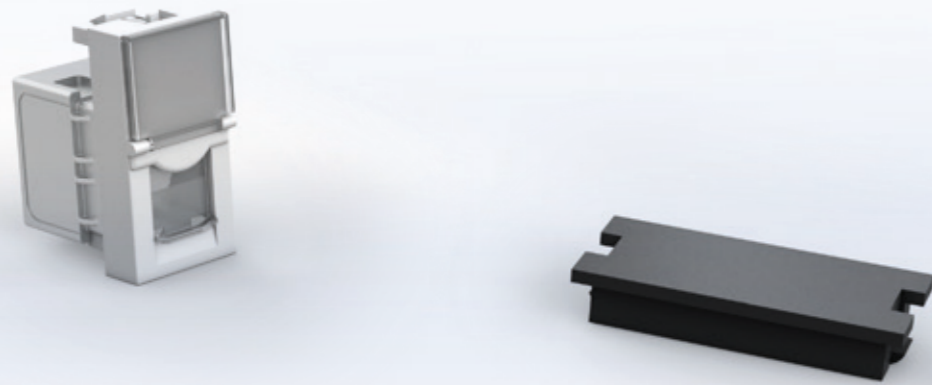
H: Height | B: Width | L: Length | G: Weight



Ports:
1x Keystone slot

UDAE, UDA & UAA

Data technology 22.5x45

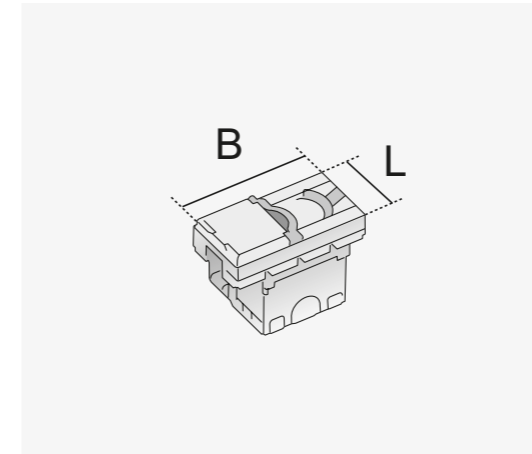


Areas of application

Components with the dimensions 22.5x45 mm are space-saving solutions for providing data technology in units with minimal installation space. They take up half a slot of a conventional 45x45-mm cover plate. The UDAE22 data connection box is a standard equipment component of our BODO N system.

Technical data

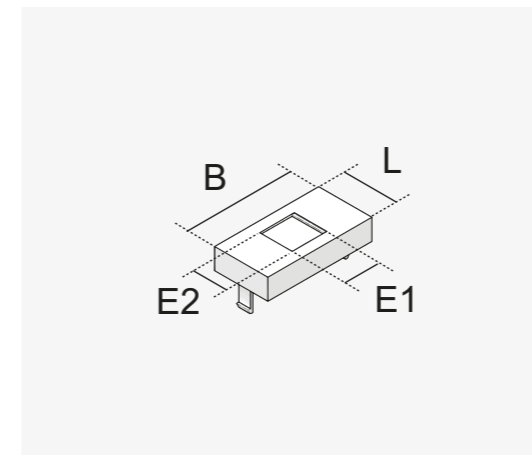
UDAE22 Data connection box, single, 22.5x45 mm



Type	B mm	L mm	Colour	G kg
UDAE22-CAT6 8	45	22.5	White	0.04

B: Width | L: Length | G: Weight

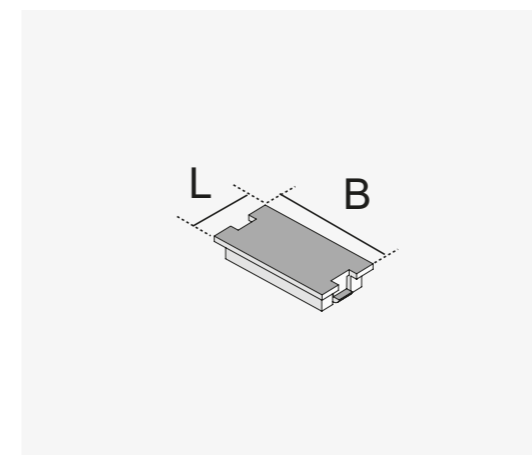
UDA22-KS Keystone data cover, 22.5x45 mm



Type	B mm	L mm	E1 mm	E2 mm	Colour	G kg
UDA22-KS 1	45	22.5	19.5	14.7	White	0.04

B: Width | L: Length | E: Installation dimension | G: Weight

UAA B 22 Cover, dummy

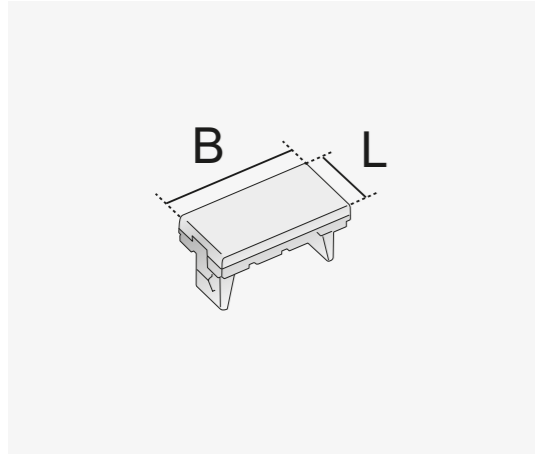


Type	B mm	L mm	Colour	G kg
UAA-B 22	45	22.5	Black	0.01

B: Width | L: Length | G: Weight

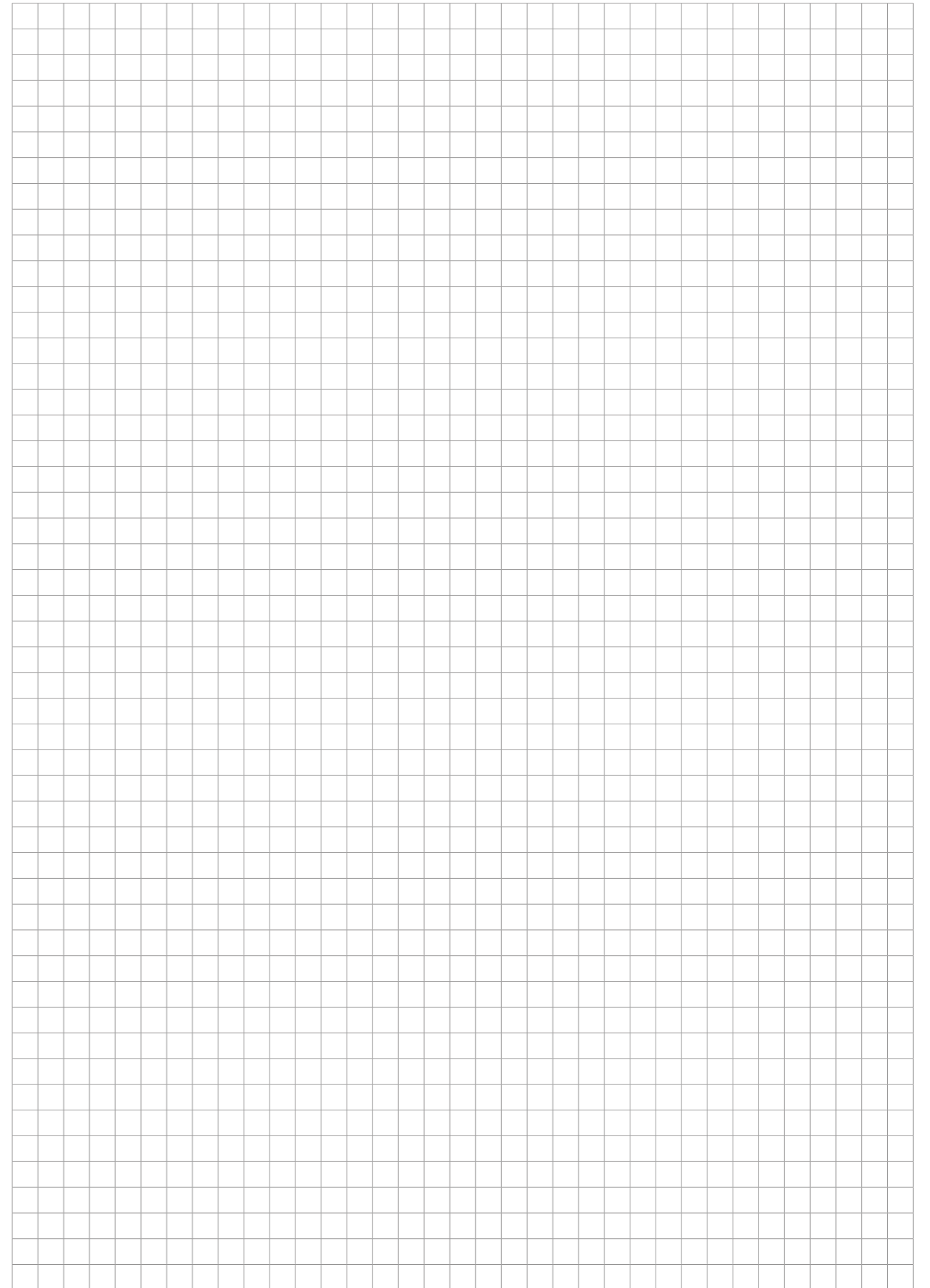
Technical data

UAA B 22 W Cover, dummy



Type	B mm	L mm	Colour	G kg
UAA-B 22-W	45	22.5	White	0.04

B: Width | L: Length | G: Weight



UAPAM45, UDAE45 & UANT45

Data technology 45x45

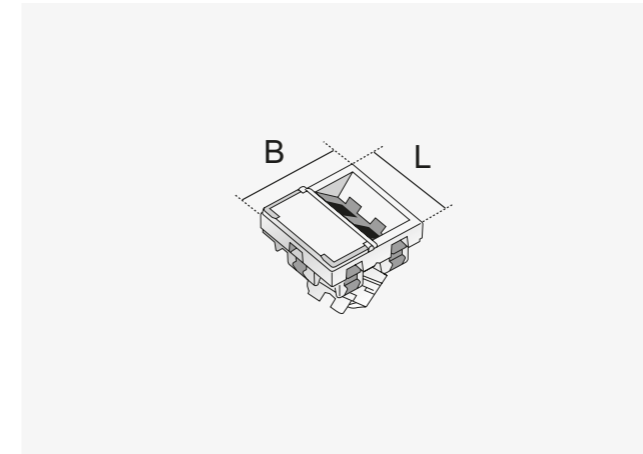


Areas of application

These data technology boxes are installation devices with dimensions of 45x45 mm and are used in UAM cover plates. They include the UAPAM45 single cable outlet, the UDAE45 double data outlet and the UANT45 TV/radio/SAT single outlet. Our 45x45 data technology can be used in mounting boxes with data ports, sockets or coupler clip installation devices. To do this, cover plate UA-3-1 226 must be combined with cover plate UAM-1-1 76. Circuits must be kept separate.

Technical data

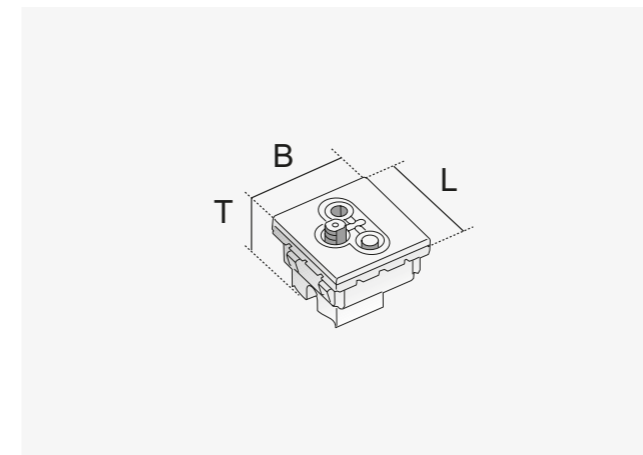
UDAE45 Data connection box, double, unshielded, 45x45 mm



Type	B mm	L mm	Colour	G kg
UDAE45-CAT6U 8/8	45	45	White	0.03

B: Width | L: Length | G: Weight

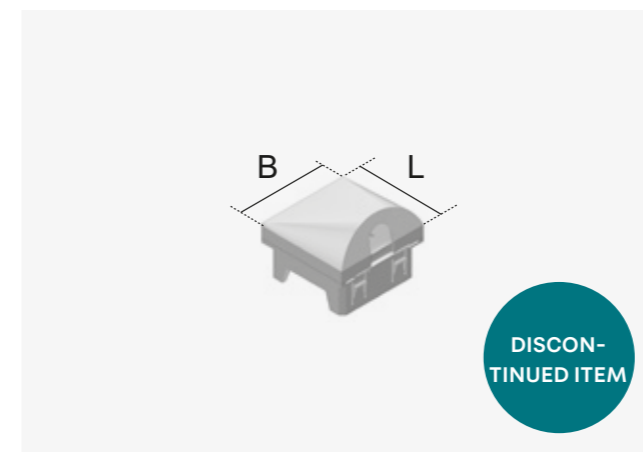
UANT45 TV/Radio/SAT single socket, 45x45 mm



Type	B mm	L mm	T mm	Colour	G kg
UANT45 1	45	45	33	White	0.03

B: Width | L: Length | T: Depth | G: Weight

UAPAM45 Cable outlet

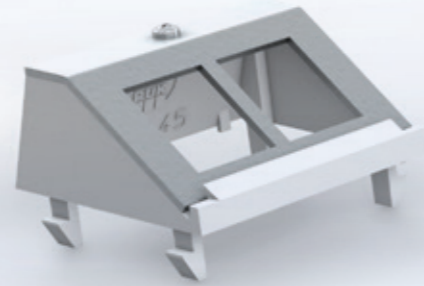


Type	B mm	L mm	Colour	G kg
UAPAM-KA 45	45	45	White	0.01

B: Width | L: Length | G: Weight

UDA & UDAP

Data ports

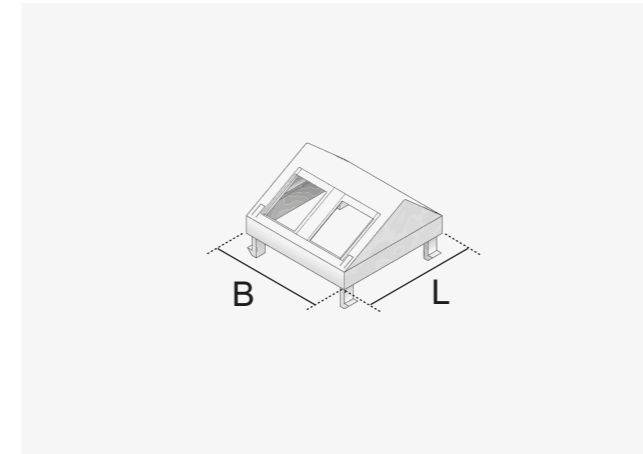


Areas of application

Our UDA and UDAP data socket covers allow multiple data connections to be easily fitted into one 45x45-mm installation opening. They are used in combination with UAM cover plates. There is space for up to four covers in one mounting box. An installation height of 22 mm above the cover plate is required for the data socket covers. The necessary installation depths must also be taken into account.

Technical data

UDA45-COR Data cover, Corning, 45x45 mm

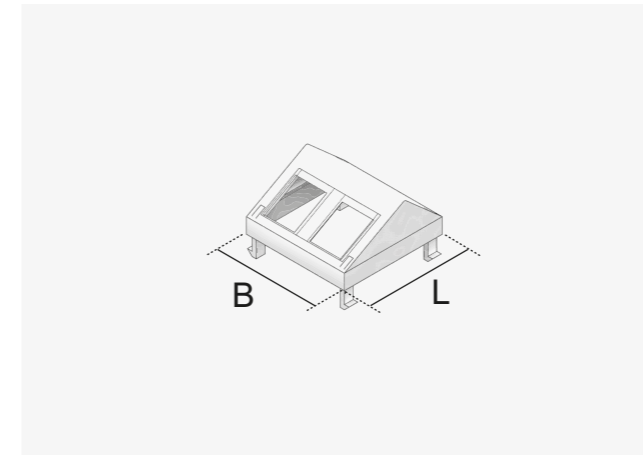


Type	B mm	L mm	Colour	G kg
UDA45-COR 2	45	45	White	0.02

B: Width | L: Length | G: Weight

 Ports:
2x Corning LANscape® modules

UDA45-RM Data cover, Reichle & De-Massari, 45x45 mm

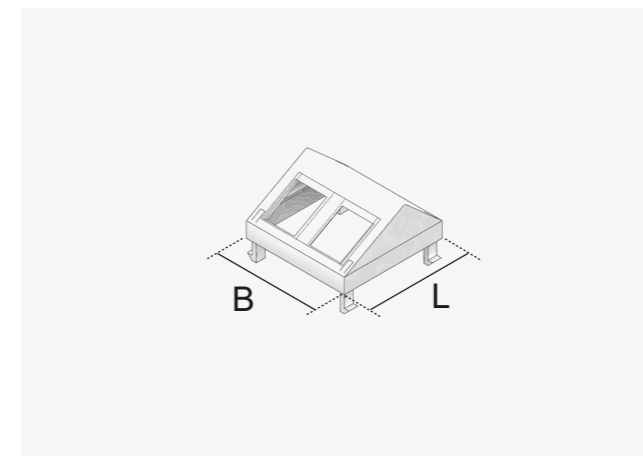


Type	B mm	L mm	Colour	G kg
UDA45-RM 2	45	45	White	0.02

B: Width | L: Length | G: Weight


 Ports:
2x Reichle & De-Massari modules

UDA45-SYM Data cover, Systimax, 45x45 mm



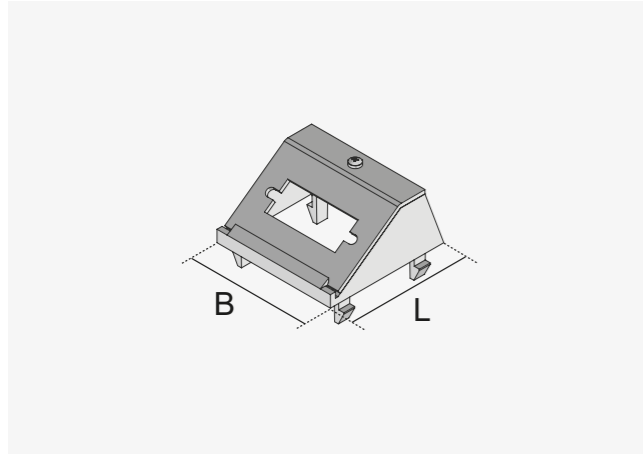
Type	B mm	L mm	Colour	G kg
UDA45-SYM 2	45	45	White	0.02

B: Width | L: Length | G: Weight

 Ports:
2x Systimax modules


Technical data

UDAP45 DVI Data cover, 45x45 mm

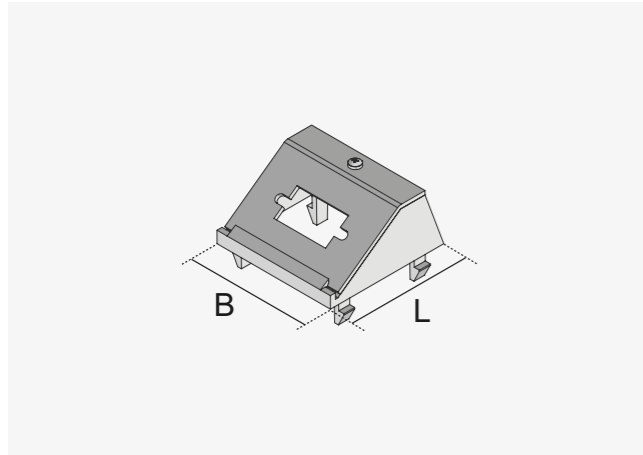


Type	H mm	B mm	L mm	Colour	G kg
UDAP45-DVI 1	22	45	45	Black	0.01

H: Height | B: Width | L: Length | G: Weight


 Installation opening:
11.40 x 28.00 mm

UDAP45 VGA Data cover, 45x45 mm

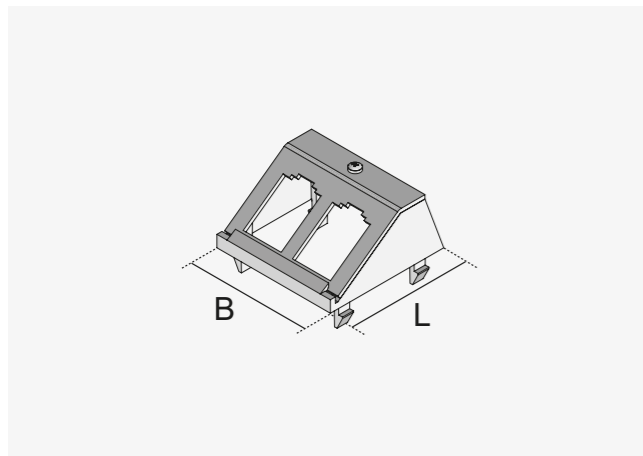


Type	H mm	B mm	L mm	Colour	G kg
UDAP45-VGA 1	22	45	45	Black	0.01

H: Height | B: Width | L: Length | G: Weight


 Installation opening:
11.40 x 20.50 mm

UDAP45 BTR Data cover, BTR, 45x45 mm



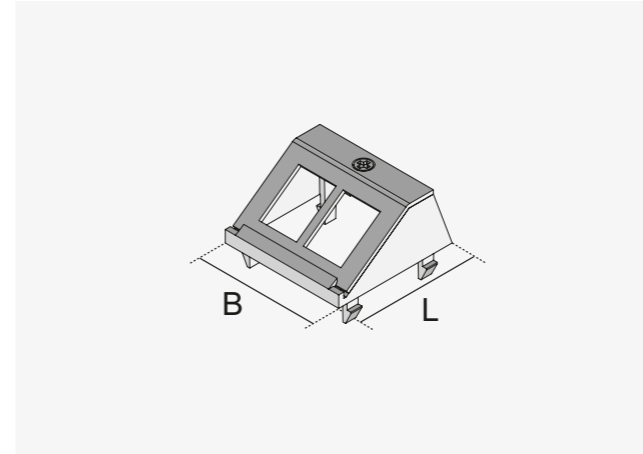
Type	H mm	B mm	L mm	Colour	G kg
UDAP45-BTR 2	22	45	45	Black	0.01

H: Height | B: Width | L: Length | G: Weight

 Installation opening:
19.35/21.55 x 14.85 mm

Technical data

UDAP45 HAR Data cover, 45x45 mm

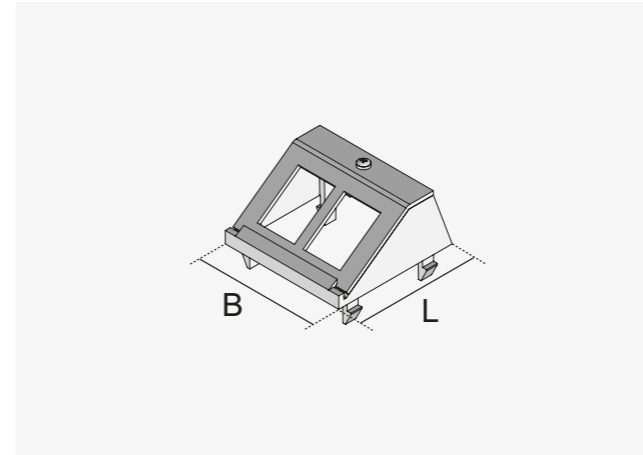


Type	H mm	B mm	L mm	Colour	G kg
UDAP45-HAR PL2	22	45	45	Black	0.01

H: Height | B: Width | L: Length | G: Weight


 Installation opening:
19.1 x 14.7 mm

UDAP45 GG45 Data cover, 45x45 mm

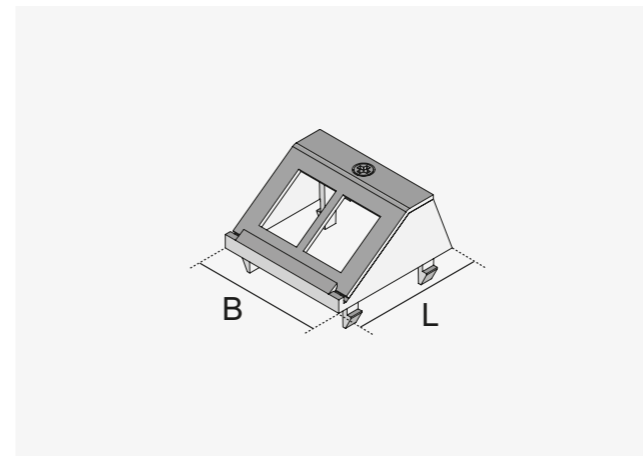


Type	H mm	B mm	L mm	Colour	G kg
UDAP45-GG45 2	22	45	45	Black	0.01

H: Height | B: Width | L: Length | G: Weight


 Installation opening:
20.10 x 14.70 mm

UDAP45 KS Data cover, Keystone, 45x45 mm



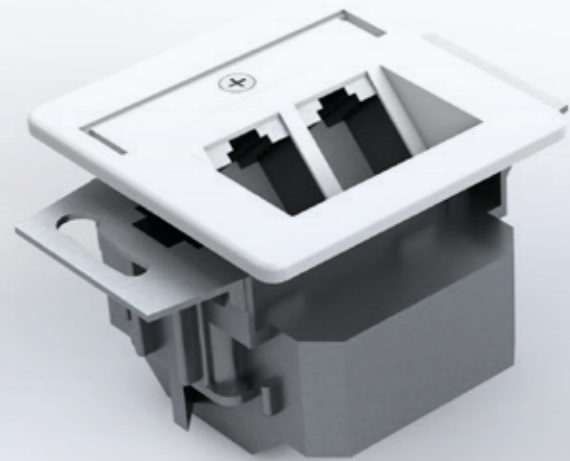
Type	H mm	B mm	L mm	Colour	G kg
UDAP45-KS 2	22	45	45	Black	0.01

H: Height | B: Width | L: Length | G: Weight

 Installation opening:
19.50 x 14.70 mm

UDAE CAT6

Coulter clip installation devices

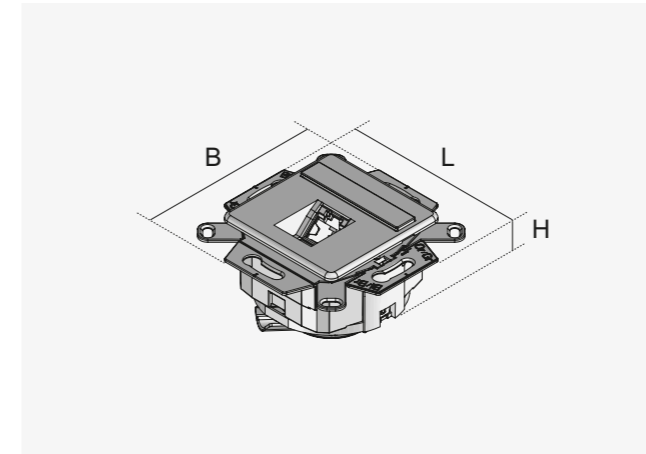


Areas of application

Our UDAE CAT6 screw-type data connection boxes with coulter clips or support rings are used in combination with UA cover plates. Up to three installation devices fit in one mounting box. They are nearly flush when installed.

Technical data

UDAE CAT6 Data connection box

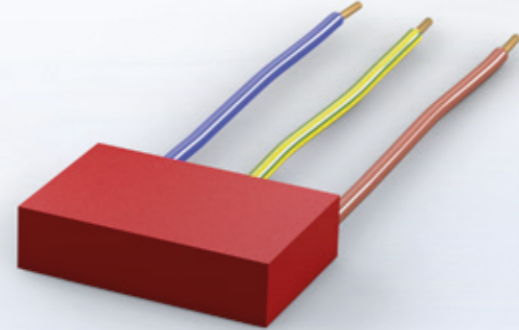


Type	H mm	B mm	L mm	Colour	Ports	G kg
UDAE-CAT6 8	40	50	50	Pearl white (similar to RAL1013)	1	0.15
UDAE-CAT6 8/8	40	50	50	Pearl white (similar to RAL1013)	2	0.15

H: Height | B: Width | L: Length | G: Weight

USSM

Overvoltage protection module

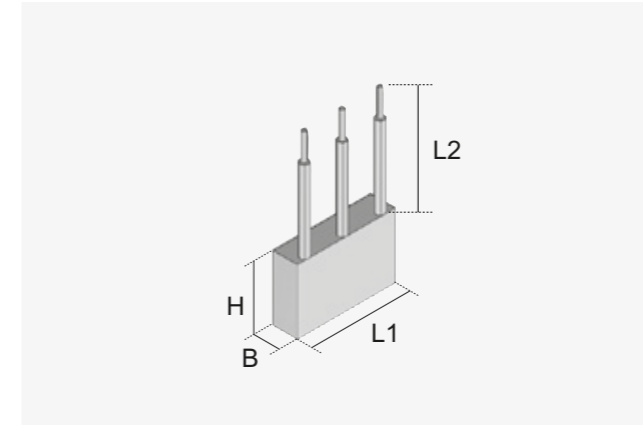


Areas of application

The USSM surge protection module is very compact and can be flexibly deployed. It protects on the mains side against excess voltage that could be caused by switching operations or indirect lightning strikes. The product is capable of protecting electrical equipment within a radius of up to five metres. The connection is reverse-polarity-proof.

Technical data

USSM Overvoltage protection module class III/D/type 3



Type	H mm	B mm	L1 mm	L2 mm	Colour	G kg
USSM	24	9	36	95	Red	0.01

H: Height | B: Width | L: Length | G: Weight

Accessories



Areas of application

Installation is easier with the right tools. For this reason, we provide corresponding assembly tools that are specially designed for our range.

The UWZ Z underfloor pincers are used to assemble our round plastic units. They are used to remove plastic covers from the frames quickly and easily.

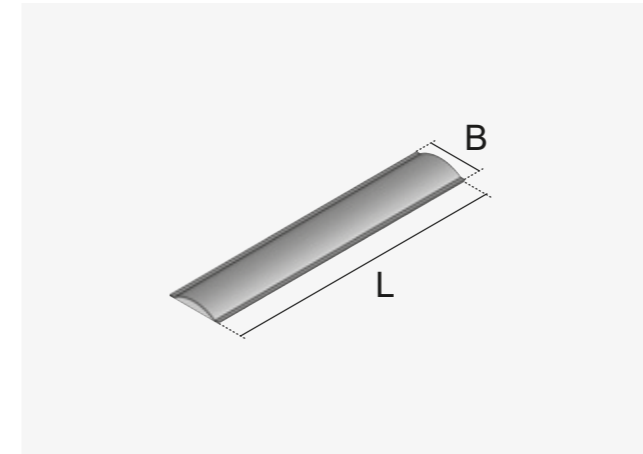
The mounting lever makes it easier to insert and remove mounting boxes from the ladders.

The mounting box adapter is used to install mounting boxes made by other manufacturers in our units.

We also provide UBS labelling strips. The labels help you to better identify and organise the mounting boxes and their installation devices.


Technical data

UBS Labelling strips

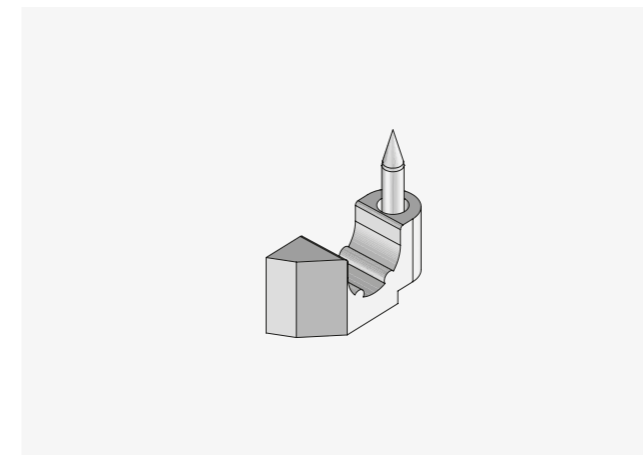


Type	B mm	L mm	G kg
UBS 10X50	10	50	0.01

B: Width | L: Length | G: Weight

 Self-adhesive, open at the side with blank insertion label

UGZ R Strain relief



Type	G kg
UGZ-R	0.01

G: Weight

uwzz Underfloor pincers



Type	G kg
UWZ-Z	0.22

G: Weight

Technical data

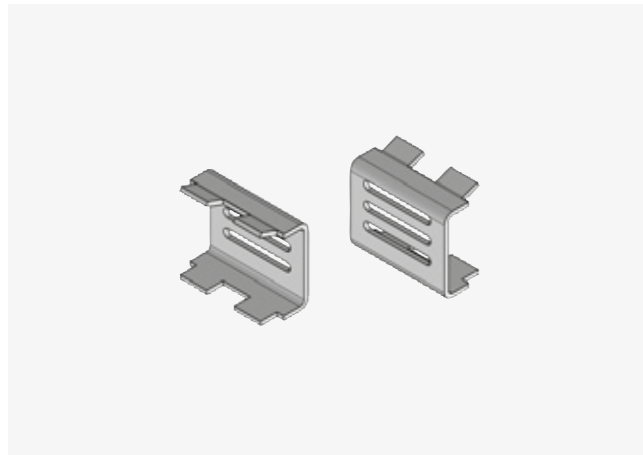
UWZ UG Mounting lever for mounting boxes



Type	G kg
UWZ-UG	0.07

G: Weight

UGEA D Data device carrier adapter for GB



Type	G kg
UGEA-D	0.02

G: Weight



Errors and technical changes reserved. Reprinting and any electronic reproduction only authorised with our written permission. All previous documents lose their validity with the publication of this printed matter.

PohlCon GmbH

Nobelstrasse 51
12057 Berlin, Germany

T +49 30 68283 - 04
F +49 30 68283 - 383

www.pohlcon.com