



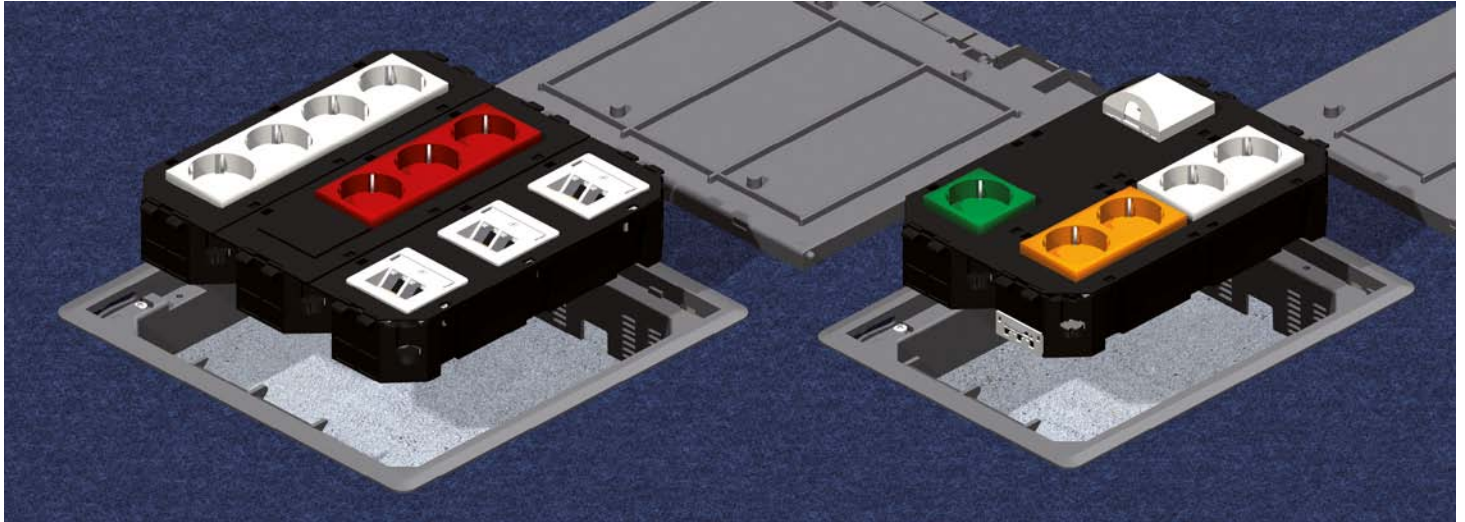
Device installation cups and installation devices

Assembly instruction

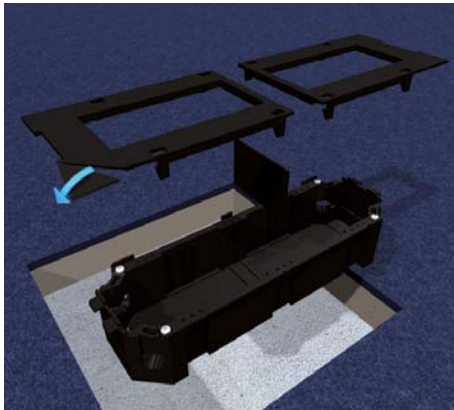


Device installation cups and installation devices

Assembly instruction

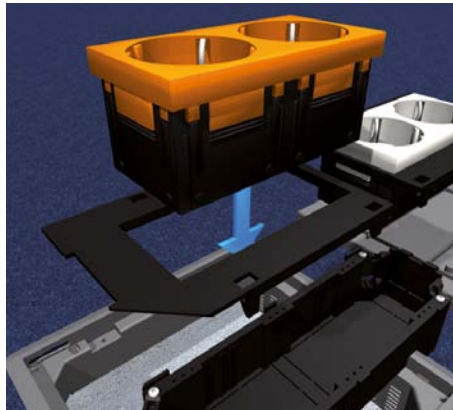


Device assembly container for locking into an assembly unit. For up to four installation devices for heavy current engineering or three installation devices for data systems technology.



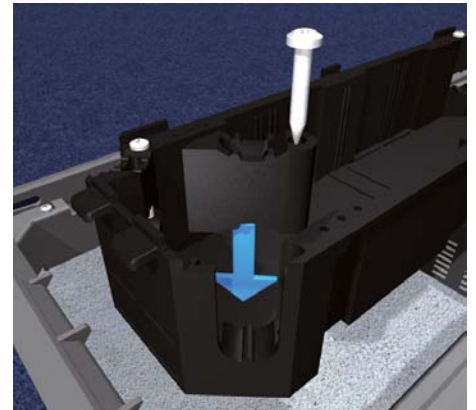
1 | Cover plates

Choose cover plates according to the requirements. Break off edges at the perforation if needed.



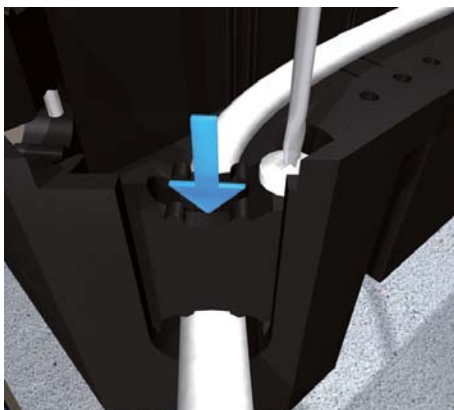
2 | Safety sockets

Snap safety sockets into the corresponding cover plate.



3 | Strain relief

Insert the four enclosed strain reliefs into the side openings of the device container and equip them with the fixing bolts.



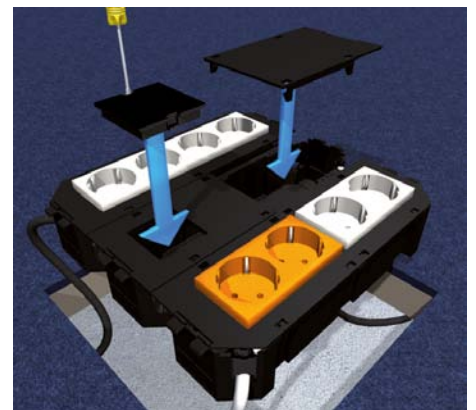
4 | Cables

Insert cables from \varnothing 6 to \varnothing 13 mm and fasten the bolt.



5 | Assembly

Install all components. Snap cover plates into the device container.

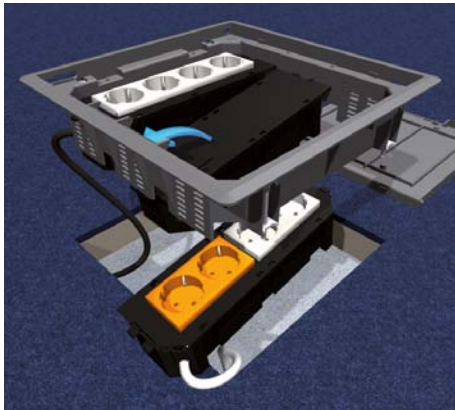


6 | Equipment

Equip empty spaces with dummy covers. Use tools for mounting and demounting of dummy covers.

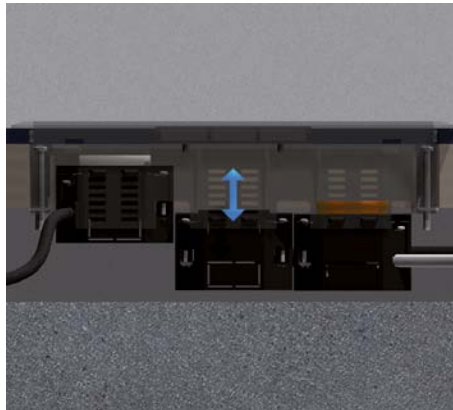
Device installation cups and installation devices

Assembly instruction



7 | Installation

Insert the device container as far as possible into the lock-in leads. Can be lowered down to 30 mm.



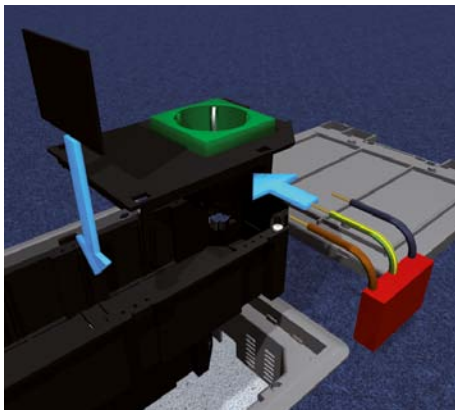
8 | Minimum / Maximum installation height

Minimum installation height 74 mm without device plugs and 88 mm for device plugs up to H = 35 mm. Maximum installation height 104 mm for device plugs up to H = 50 mm.



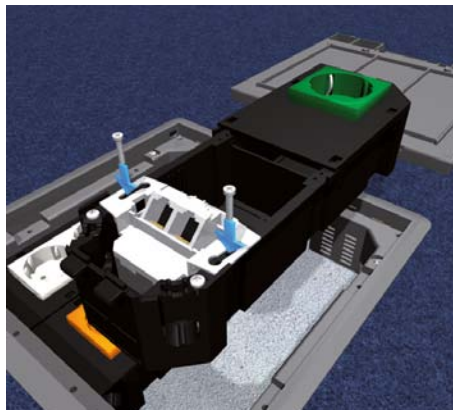
9 | Releasing device cup

Push mounting lever or screwdriver between frame and device cup. Release latches separately sideways and take out device cup.



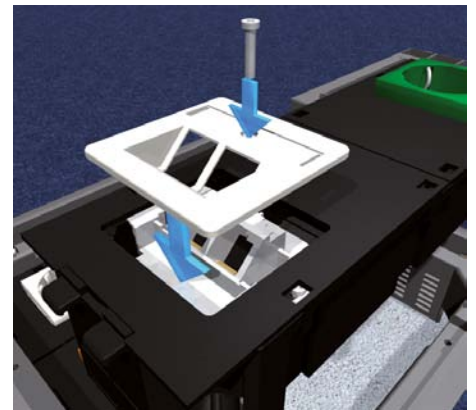
10 | Device separator

In case of different electric circuits and equipment use the device separator. Insert overvoltage protector into the push-terminals L, N and PE of the socket and complete with connecting line.



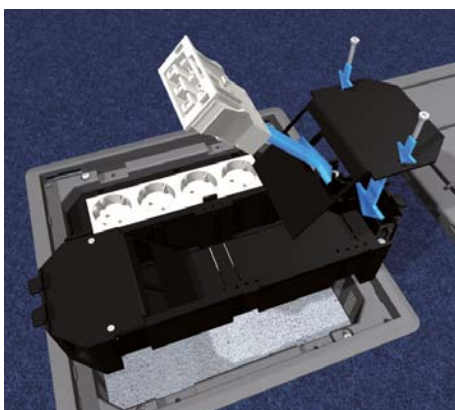
11 | Coupler clip installation devices

Lock in socket and overvoltage protector with the cover plate into the device cup. Screw installation devices with coupler clips into the device cup.



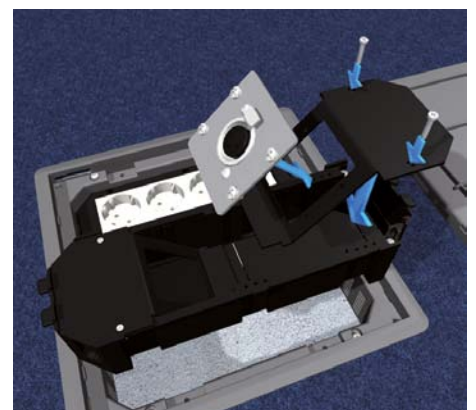
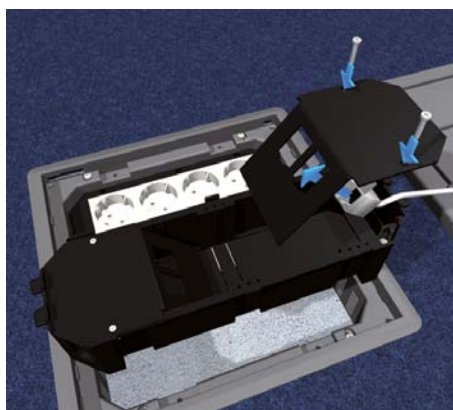
12 | Finalisation

Snap cover plates and screw cover in place. Close all openings with blind covers.



13 | Equipment of device cup

Quadrangular insert for half a device cup made of coated metal for components of data, fibre optic cable, audio and video technology, also for plug-in components and installation devices 45 x 45 mm. **Equip with up to two plug-in components according to the manufacturer's specifications and screw into the device cup.**





Errors and technical modification subject to change, reproduction as well as electronic duplication only with our written permission. With appearance of this print all preceding documents lose their validity.

