

ORDER FORM

To be completed by
H-BAU Technik (S.-no.)



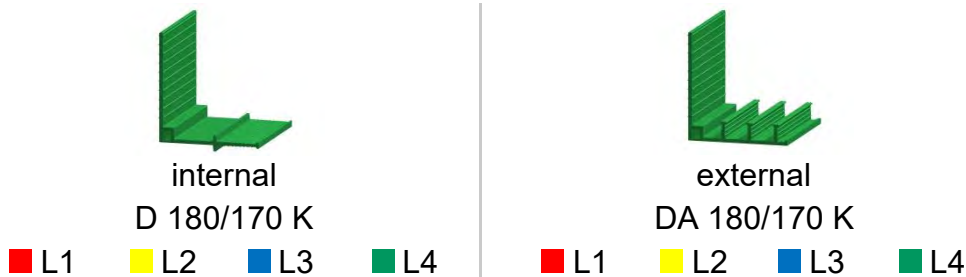
KUNEX® welded clamped construction

BK32

Rev. 02 dated: 2023-03-13

Customer:	Project:
Com.:	Element:

Clamped joint tape according to DIN 18541-2



Dimensions

- L1 = _____ mm
- L2 = _____ mm
- L3 = _____ mm
- L4 = _____ mm

Anforderungen an das Fugenband

- bitumen-compatible (BV)
- non bitumen-compatible (NB)

Number

_____ pieces

Manufacturing tolerances according to
DIN 16941 and DIN 18020 table 1:

- Length ≤ 3000mm = ± 15mm
- Length 3000mm – 6000mm = ± 20mm
- Length > 6000mm = ± 30mm

Note:
Dimensional deviations of up to 3% are possible due to
external influences such as temperature and storage
conditions.

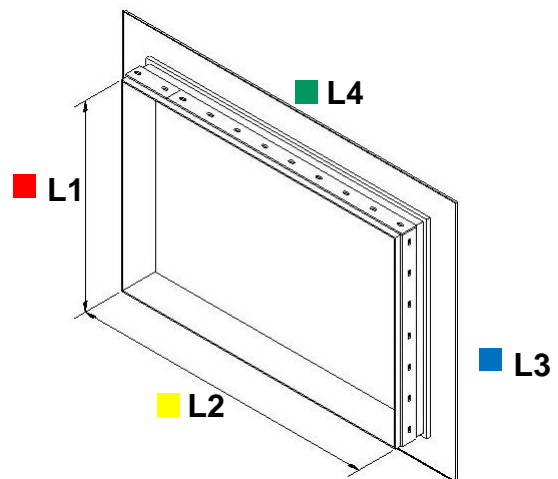
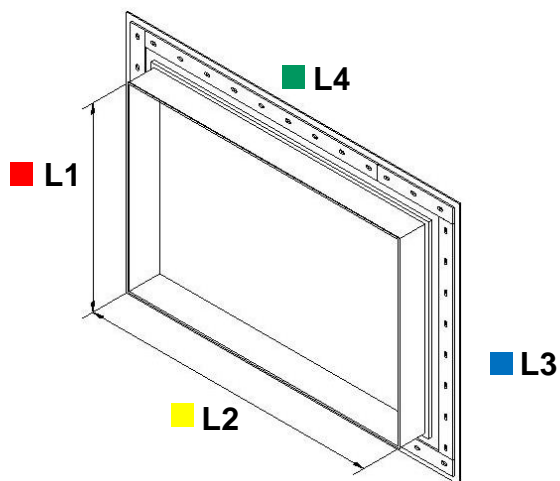
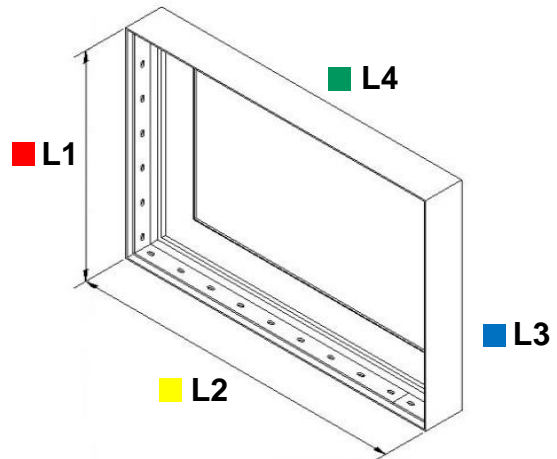
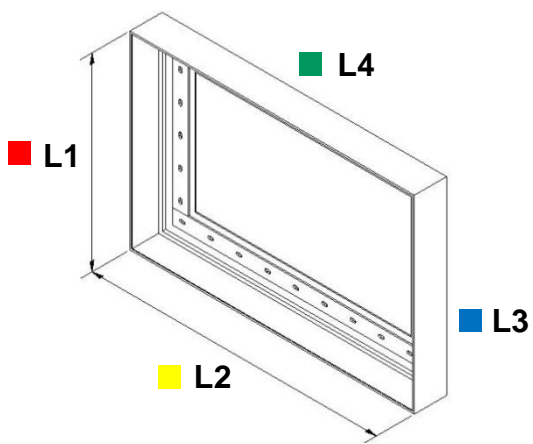
Please select joint tape profile on page 2

To be completed by
H-BAU Technik (S.-no.)

ORDER FORM

KUNEX® clamped construction

BK32



Released by _____ date: _____