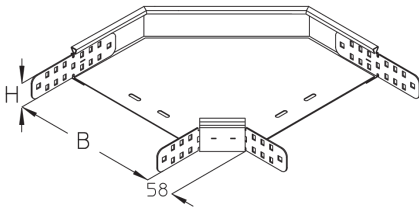


## RB-BS 60

Kabelrinnen-Bogen, Höhe = 60 mm, Funktionserhalt



Stahl, band-/sendzimirverzinkt

| Artikel               | H     | B      | Winkel | Richtungsänderung | G        |
|-----------------------|-------|--------|--------|-------------------|----------|
| RB-BS 60-10S          | 60 mm | 100 mm | 90 °   | Horizontal        | 0,744 kg |
| inklusive:<br>4 × KLR |       |        |        |                   |          |
| RB-BS 60-20S          | 60 mm | 200 mm | 90 °   | Horizontal        | 1,021 kg |
| inklusive:<br>4 × KLR |       |        |        |                   |          |
| RB-BS 60-30S          | 60 mm | 300 mm | 90 °   | Horizontal        | 1,960 kg |
| inklusive:<br>4 × KLR |       |        |        |                   |          |
| RB-BS 60-40S          | 60 mm | 400 mm | 90 °   | Horizontal        | 2,693 kg |
| inklusive:<br>4 × KLR |       |        |        |                   |          |
| RB-BS 60-50S          | 60 mm | 500 mm | 90 °   | Horizontal        | 3,698 kg |
| inklusive:<br>4 × KLR |       |        |        |                   |          |
| RB-BS 60-60S          | 60 mm | 600 mm | 90 °   | Horizontal        | 4,816 kg |
| inklusive:<br>4 × KLR |       |        |        |                   |          |



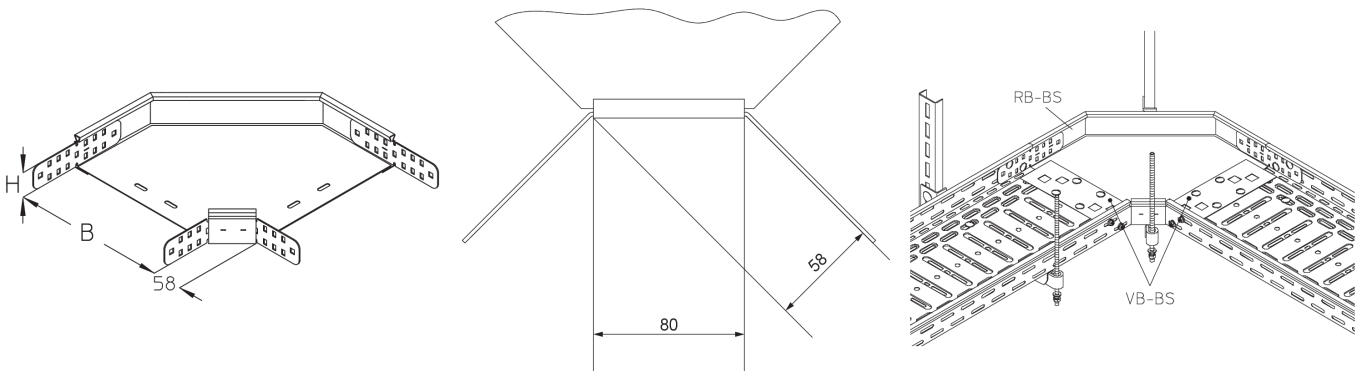
# PRODUKTINFORMATION

## Stahl, stück-/tauchfeuerverzinkt

| Artikel                 | H     | B      | Winkel | Richtungsänderung | G        |
|-------------------------|-------|--------|--------|-------------------|----------|
| RB-BS 60-10F            | 60 mm | 100 mm | 90 °   | Horizontal        | 0,850 kg |
| inklusive:<br>4 × KLR E |       |        |        |                   |          |
| RB-BS 60-20F            | 60 mm | 200 mm | 90 °   | Horizontal        | 1,334 kg |
| inklusive:<br>4 × KLR E |       |        |        |                   |          |
| RB-BS 60-30F            | 60 mm | 300 mm | 90 °   | Horizontal        | 2,053 kg |
| inklusive:<br>4 × KLR E |       |        |        |                   |          |
| RB-BS 60-40F            | 60 mm | 400 mm | 90 °   | Horizontal        | 2,886 kg |
| inklusive:<br>4 × KLR E |       |        |        |                   |          |

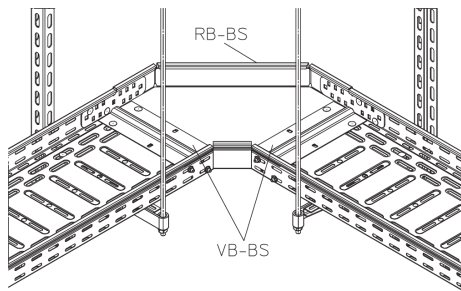
**H:** Höhe  
**B:** Breite  
**G:** Gewicht je Lagermengeneinheit

## DETAIL- UND ANWENDUNGSBILDER



Seite 2





Brandschutz

