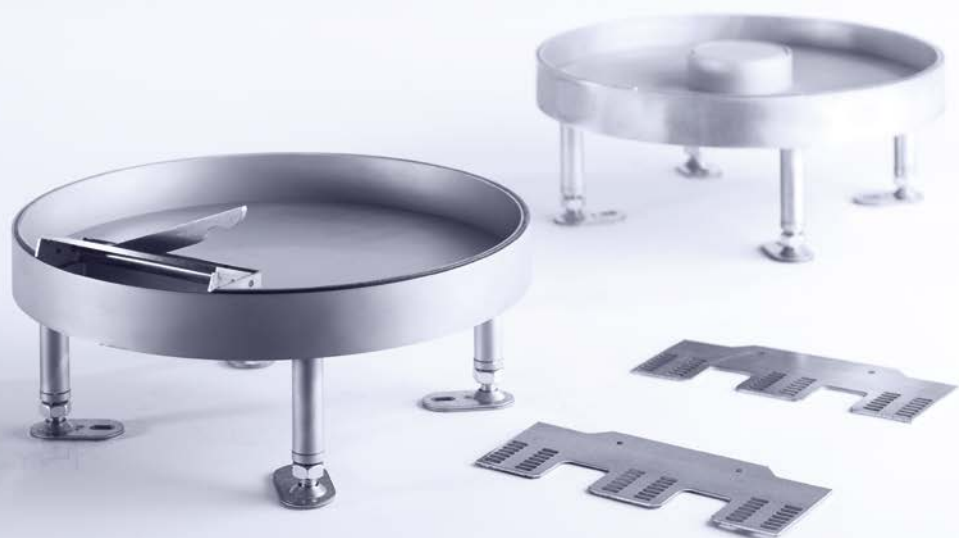
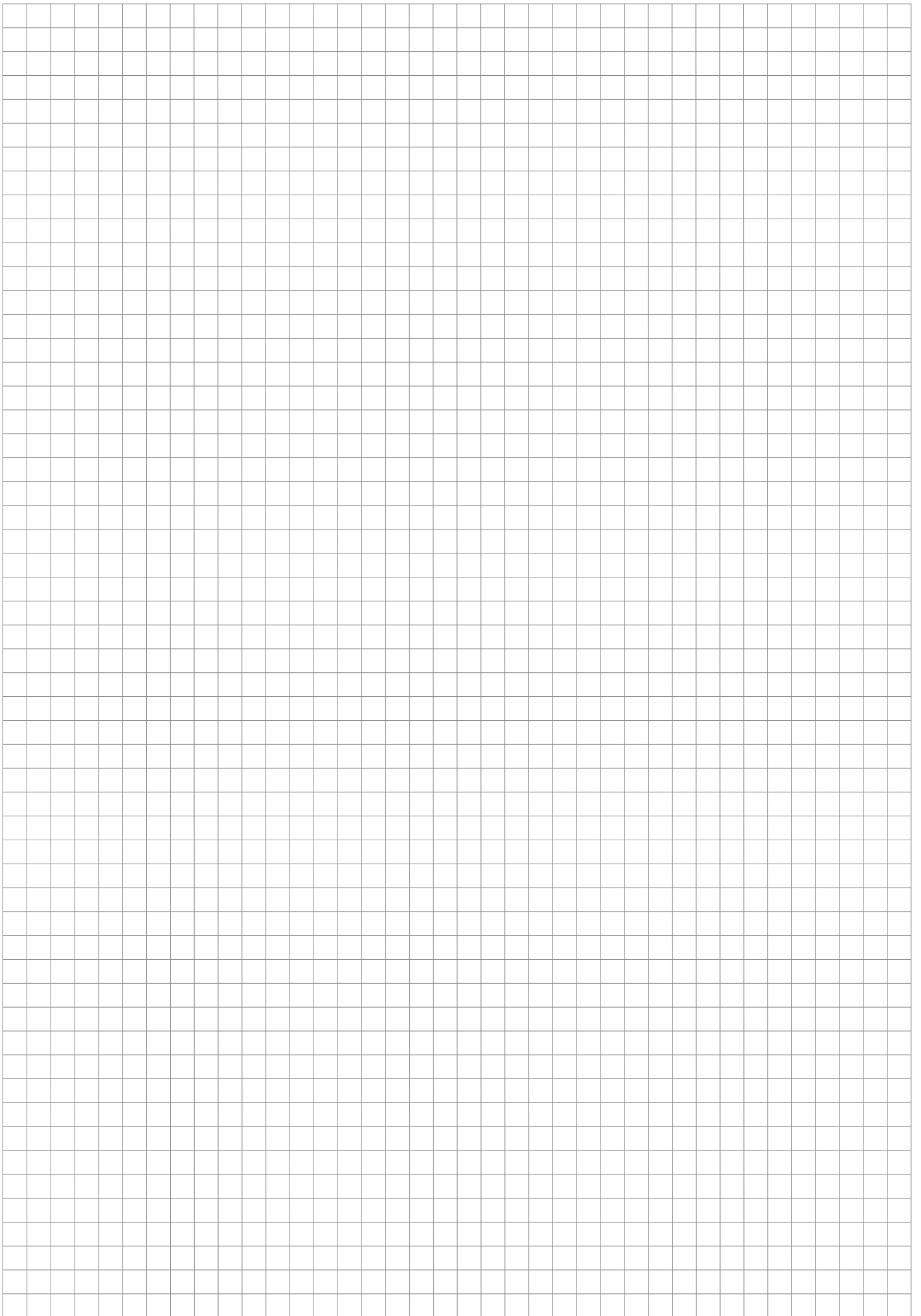




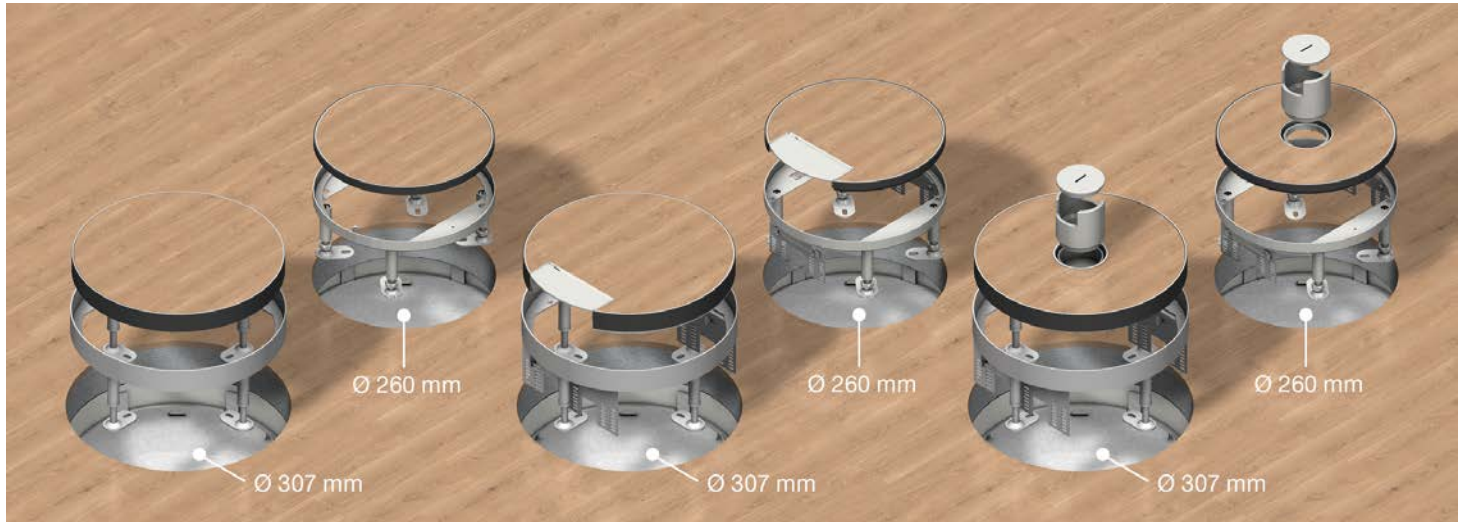
**Cartridge units made of  
stainless steel, round**  
Assembly instruction



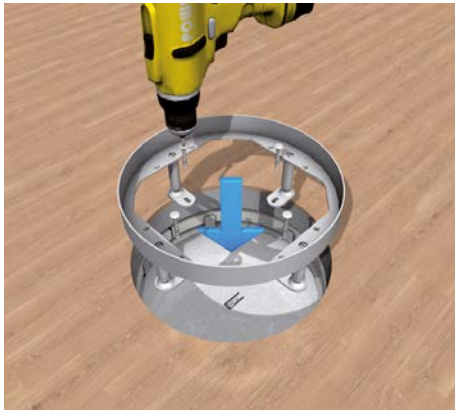


# Cartridge units made of stainless steel, round

## Assembly instruction



Round cartridge unit with hem made of stainless steel with an external diameter of 307 mm as a dummy cartridge unit, cable outlet cartridge unit and tube cartridge unit for the installation into screed and hollow floors. For 12/30 mm parquet and stone covers and linoleum in combination with rigid foam lid insert. Can be levelled from 100 to 155 mm.



**1 | Levelling unit with frame**  
For parquet or stone floors insert the levelling device into the floor opening. Fasten the four levelling bases with nail plugs.



**2 | Rubber seal**  
The cartridge is equipped with two rubber seals therefore there is no need for inserting them separately. The rubber seal inserted from the bottom guarantees the required subsonic noise, while the rubber seal on the side provides the needed seal. A regular maintenance and cleaning of the seals is necessary.



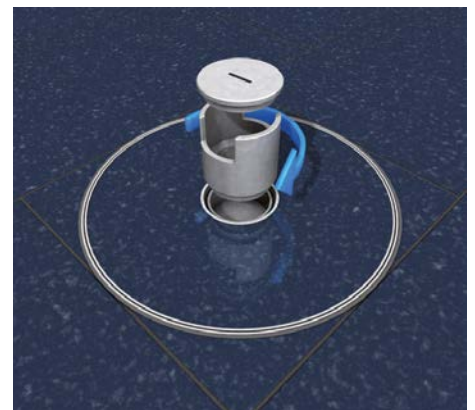
**3 | Lock-in leads**  
In the first step, loosely attach the both lock-in leads to the frame with two screws each and tighten them firmly after inserting the device holders. Establish the grounding connection between the levelling device and the floor box.



**4 | Floor adjustment**  
Align the installation frame flush on the level of the finished floor above the four levelling screws. Seal the expansion joint all around with a suitable sealing compound. When using a coupler plug  $H = 35$  mm observe the minimum installation depth  $H_{min} = 100$  mm.



**5 | Parquet cover**  
For damp-maintenance floors, such as parquet covers, use a dummy cartridge unit or a cable outlet cartridge unit. However the floor cover depth must be considered. Insert the replaceable cartridge into the frame. Observe the potential equalization.



**6 | Stone cover**  
For wet maintenance floor covers, such as stone covers, only a tube cartridge unit may be used. However the floor cover depth must be considered. Insert the replaceable cartridge into the frame. The tube can be screwed. Observe the potential equalization.



Errors and technical modification subject to change, reproduction as well as electronic duplication only with our written permission. With appearance of this print all preceding documents lose their validity.

