



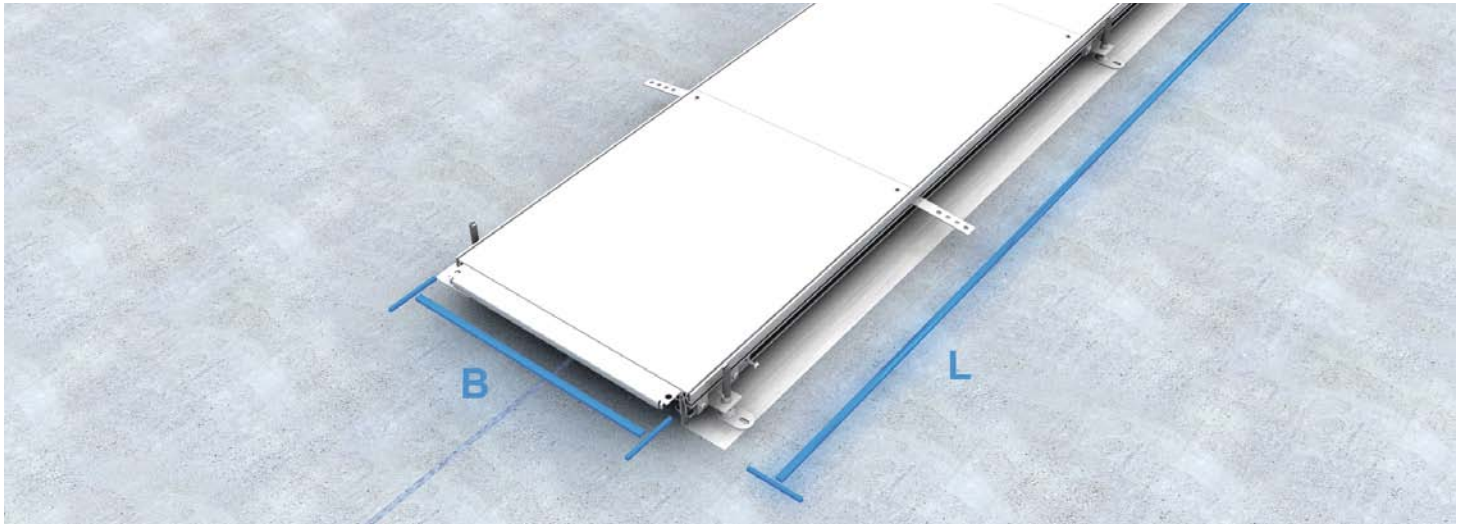
Screed flush duct

Assembly instruction



Screed flush duct

Assembly instruction



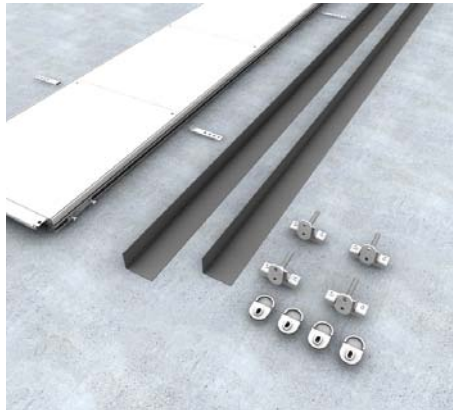
Please notice the technical information in advance.

Available in three systems: steel side panel as the basic version, synthetic side panel for impact noise and as a closed floor pan for laying emc-cable. Height-adjustable between 60 - 110 or 100 - 500 mm. Loadable up to 3 kN, with four dummy covers, with a length $L = 2000$ mm and nominal widths $B = 200, 300, 400$ und 500 mm.



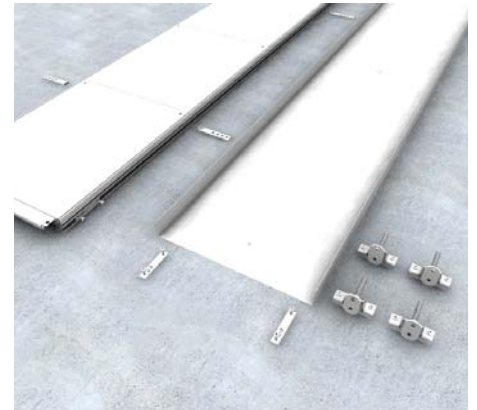
1 | UEBS with steel side panel

Additionally needed to the provided material for the UEBS-unit with steel side panel: 1x side panel set (UEBSMSP S) and 4x levelling units (UEBSST).



2 | UEBS with synthetic side panel

Additionally needed to the provided material for the UEBS-unit with synthetic side panel: 1x side panel set (UEBSMSP), 4x levelling units (UEBSST), and 4x rubber cuffs (UGM-SLF).



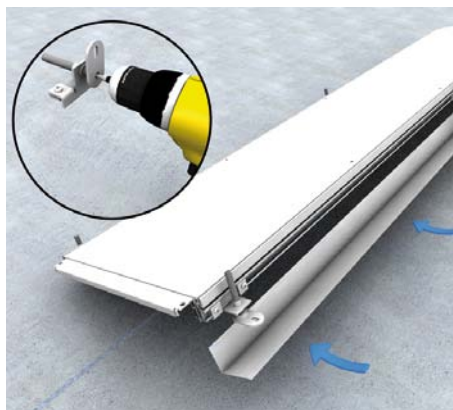
3 | UEBS with floor pan

Additionally needed to the provided material for the UEBS-unit with floor pan: 1x floor pan (UEBSMSW) and 4x levelling units (UEBSST).



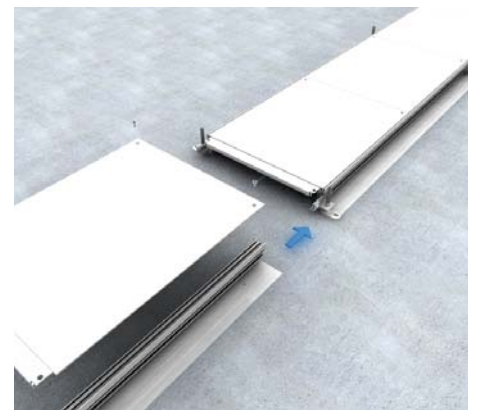
4 | Duct alignment

Measure the duct run according to the released site plan. Mark it with a plumb line. Regarding to the duct run and marking, lay the pre-assembled duct out. Note the used height.



5 | Levelling units/side panel

Slide and pre-position one side panel and two levelling units per duct side on the aluminum profile. Each levelling unit can be roughly adjusted to the required height.

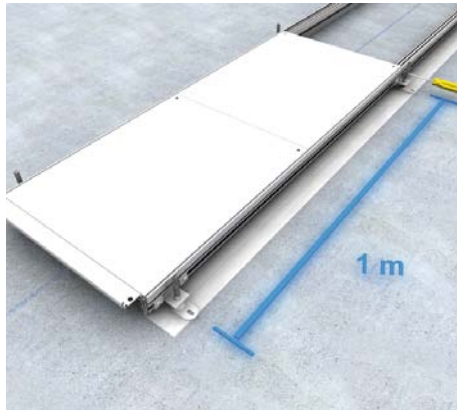


6 | Assembly a duct part

Release end dummy cover of the delivered duct, align ducts and finally push them together. Link levelling units and cross-beams to the duct parts. Note that the cross-beams is tightly screwed to the dummy cover as provided.

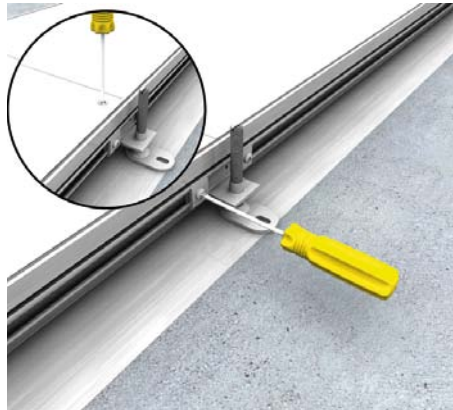
Screed flush duct

Assembly instruction



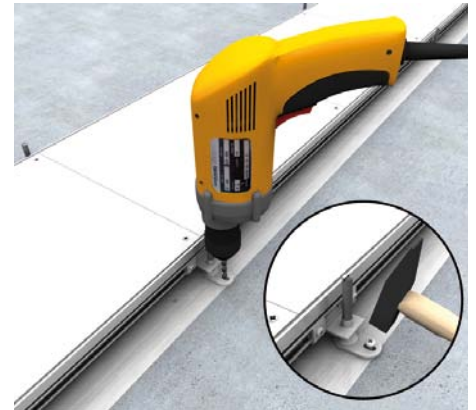
7 | Position the levelling units

Position levelling units in a one-meter-distance appropriate to duct run and screw them to the aluminum profile.



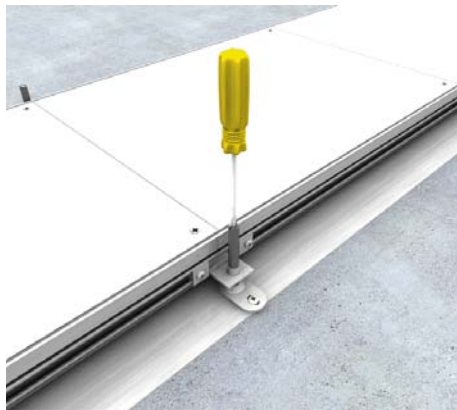
8 | Mounting the duct

Screw the levelling units with both overlapping ducts. Pay attention to the necessary tight connection between dummy cover and the following duct through a cross-beam.



9 | Plug the levelling support

Align the levelling bases on the side panel and pre-drill a hole per side. Fit the levelling bases tight to the slab ceiling through the nail plugs.



10 | Levelling

Level the assembled duct system up to the mandatory screed height by using a hose levelling instrument or a level gauge (with laser). Do not walk or apply any load of the levelled duct system.



11 | Assemble the partition

Dowel the synthetic partition directly into the slab ceiling in one-meter-intervals.



12 | Screed anchor

Snap the screed anchor into the outer profile of the cable system. The screed anchor is necessary for a strong connection between duct and screed. That avoids belated cracking. Four screed anchors per duct unit are included in the delivery.



13 | Shorten the levelling units

If needed, shorten the levelling units below the screed level. Mask all open areas before the screed application.



14 | Levelling between 60 - 100 mm

For a floor structure up to 110 mm, use an appropriate levelling unit (UBSST 80S). If needed, turn the side panel with its length according to the necessary side height. Correspondingly, a levelling height of 60 - 90 mm respectively of 80 - 110 mm is possible.



15 | Levelling between 100 - 150 mm

For a floor structure up to 150 mm, use an appropriate levelling unit (UBSST 150S). If needed, turn the side panel with its length according to the necessary side height. Correspondingly, a levelling height of 100 - 130 mm respectively of 120 - 150 mm is possible.

Screed flush duct

Assembly instruction



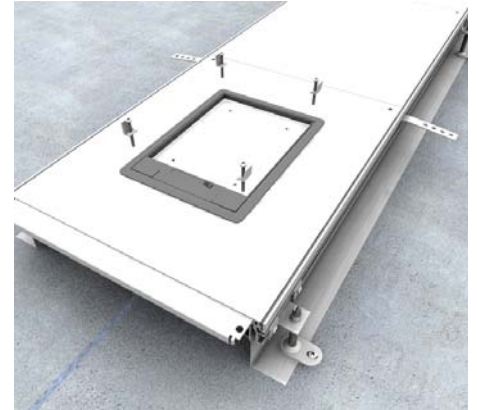
16 | Impact sound decoupling

For an impact sound decoupling of the duct system, use only synthetic side panels. Additionally, push rubber cuffs over the levelling units. Fasten both components on the slab ceiling by using nail plugs.



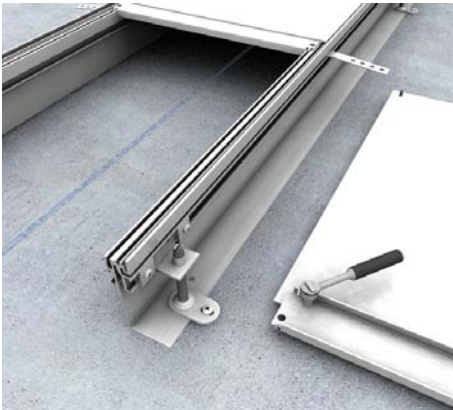
17 | Assemble the floor pan

If using the floor pan, pay attention to the levelling heights. Select the floor pan with H = 60, 80, 100 mm or 120 mm. Insert it into the duct side profile. Plug it tight and level the duct system afterwards.



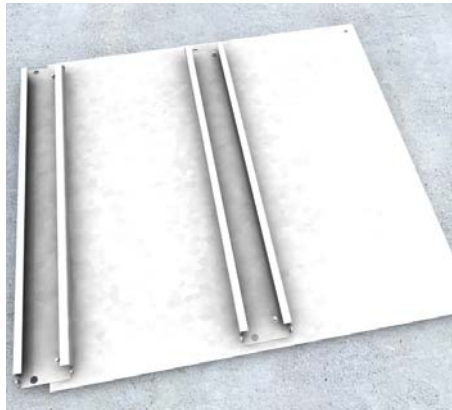
18 | Assembly covers

After the assembly of the duct system, replace the dummy covers with assembly covers. Adjust them to the duct course. Use special claw fastener (UDKSEB) with a clamping range of at least 2 mm for the assembly of the installation unit.



19 | Cross-beam

Release the cross-beam of the dummy cover/assembly cover for adjusting the cover sections. Shorten and drill the cover. Screw it on the side profile.



20 | Cross-beam B = 500 mm

The 500 mm duct covers have additional cross-beams. The cross-beams are attached in a 250 mm-interval. No additional duct support is needed.



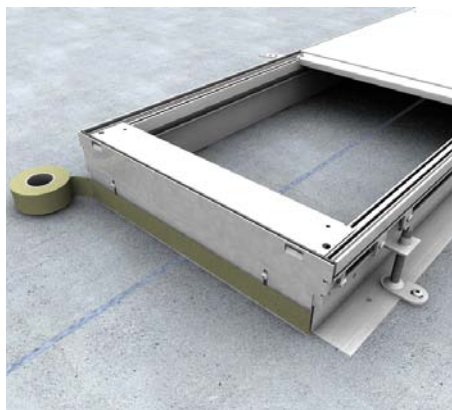
21 | Carpet frame

According to the delivery condition, the turnable protective carpet frame is inserted flush to duct. If needed, turn the protective carpet frame and get a 3 mm floor covering edge.



22 | Dummy cover

According to the delivery condition, the dummy covers have sideways a screwed cross-beam. Screw this one with the duct on the next overlapping cross-beam.



23 | Final part

Insert the final part sideways and tighten the screws. Adjust the height up to 3 mm with the protective carpet frame. If needed, mask the open areas.

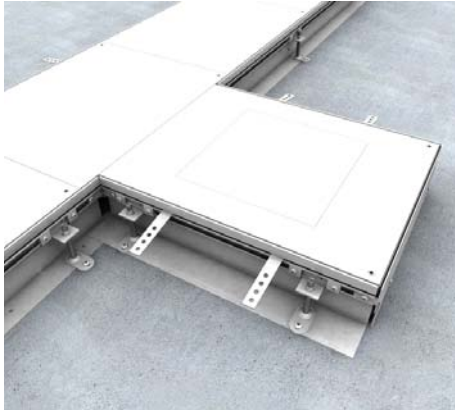


24 | Attachment kit for 75 mm height

Notch and deburr the side panel of the duct. Bend the side panel of the hollow space floor box along the perforation and insert one mounting sleeve (UM) between duct and hollow space floor box. Fasten the hollow space floor box to the slab ceiling and insert shuttering unit.

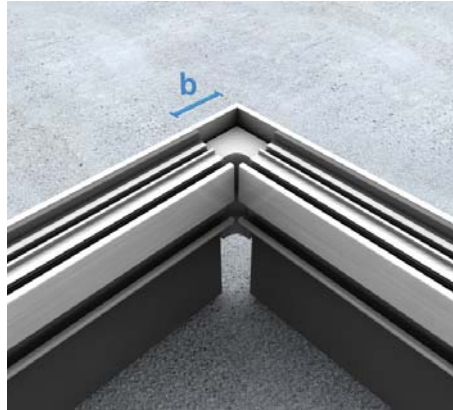
Screed flush duct

Assembly instruction



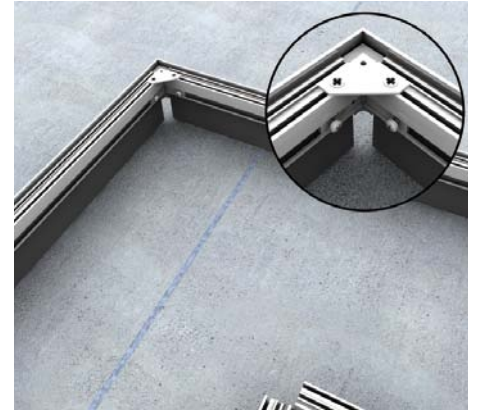
25 | Attachment kit for 60 - 110 mm height

Notch and deburr the side panel of the duct. Connect attachment kit to the duct using a connector and affix to the slab ceiling. The installation unit can be inserted immediately after the final screed work and the removal of the dummy cover.



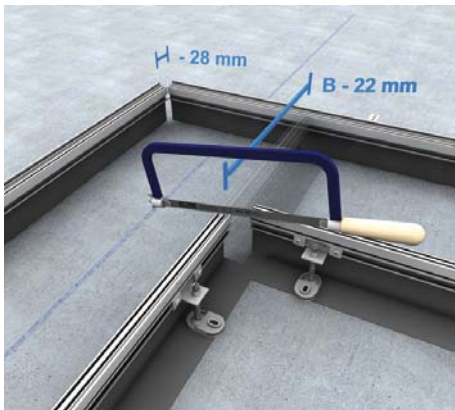
26 | Corner connection

Create a formed part with the synthetic corner connection ($b = 26 \text{ mm}$). After shortening the duct profile, insert the connection into it and screw them together using the steel plate corner connection. Depending on the rotating direction, the corner connection can be used as an inside or outside corner.



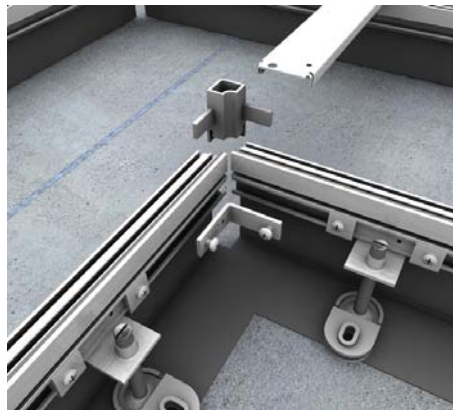
27 | Connection plate

Insert a connection plate adding to the corner connection. Assemble it in the corner with the provided screws to get an appropriate fastening point.



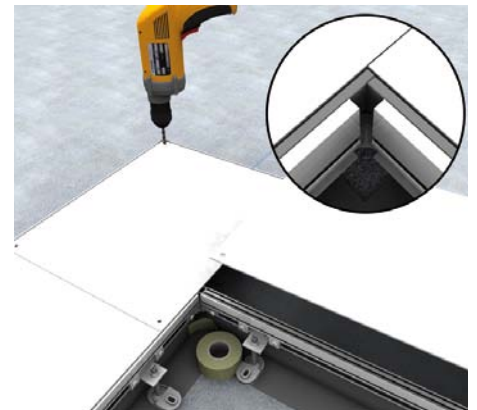
28 | Cut a 90° bend

In order to create a 90° bend, shorten one aluminum outside profile by 28 mm and both aluminum inside profiles by 22 mm. If needed, shorten the dummy cover and side panels.



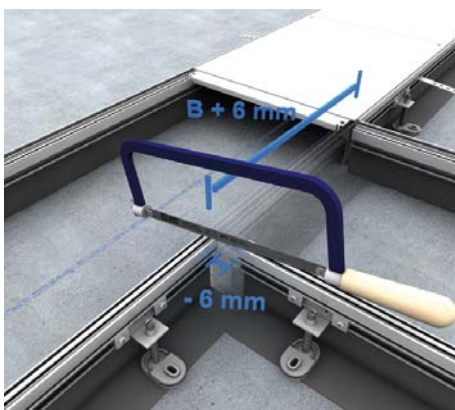
29 | Assemble a 90° bend

Push the ducts together and connect them with the recommended bend assembly set. Screw it with the corner connection.



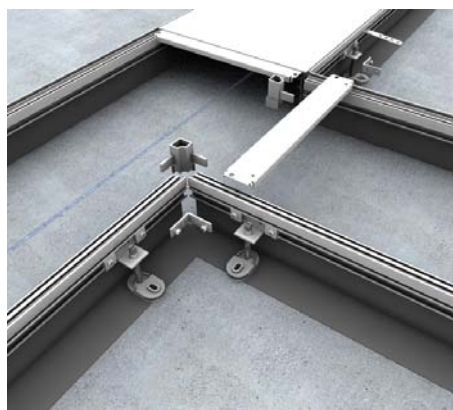
30 | Final 90° bend assembly

Cut cover sections and re-drill the fastening holes, if needed. For support, put in the cross-beam. Insert the carpet frame in the corners with a 3 mm projection. Mask the open areas. Cover and screw duct section.



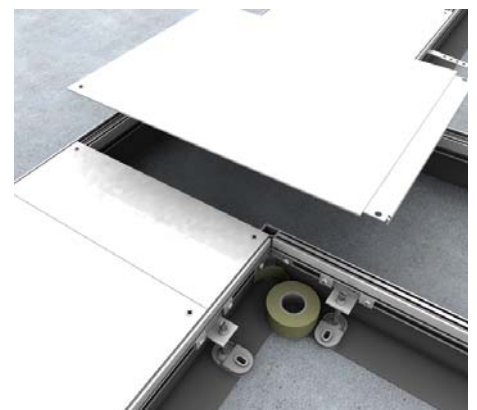
31 | Cutting the T-junction

After laying out the duct, notch the duct one-sided by 6 mm for creating a T-branch. Shorten both sides of the incoming ducts by 6 mm. Cut side panels and dummy covers.



32 | Assemble the T-branch

Push the duct elements together and connect them by using the provided T-branch assembly kit. Screw them by using the corner connection. For creating a floor duct crossing use two T-branch assembly kits.



33 | Final T-branch assembly

Cut the cover, re-drill the fastening holes. For support, put in the cross-beam. Insert the carpet frame in the corners with a 3 mm projection. Mask open areas. Do not lay a dummy cover joint in the branch junction.

Screed flush duct

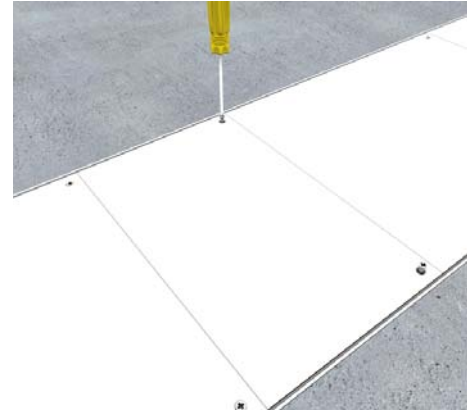
Assembly instruction



34 | Dummy cover section
Cut the cover part (L < 500 mm) to the required length.



35 | Dummy cover section
Drill additional holes and lower them.



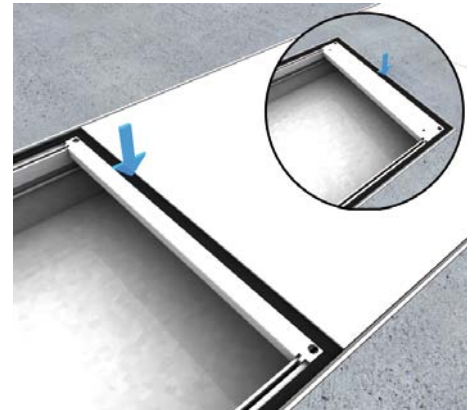
36 | Dummy cover section
Screw the dummy cover section with the side profile by using additional countersunk head screws.



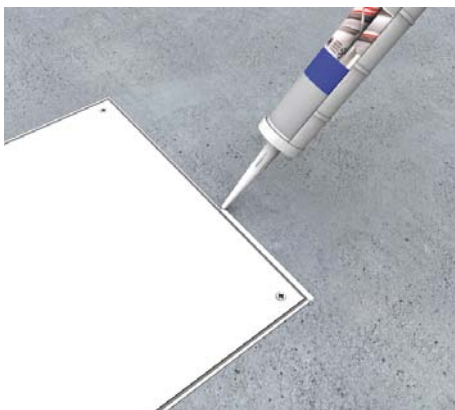
37 | Duct system for wet-cleaned linoleum floors
Remove the rubber insert (UEBSPGD) from the side profile of the duct completely.



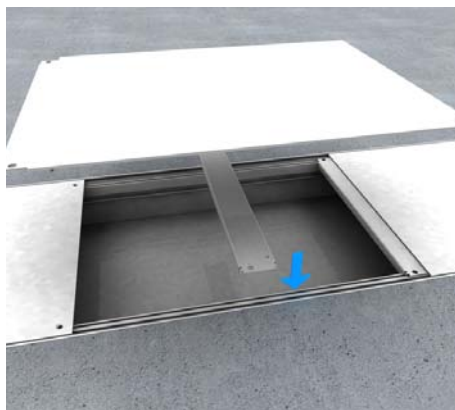
38 | Duct system for wet-cleaned linoleum floors
Glue the rubber seal (UGDB15-R300 1.8) onto the side profile in longitudinal direction, covering the entire area of the duct.



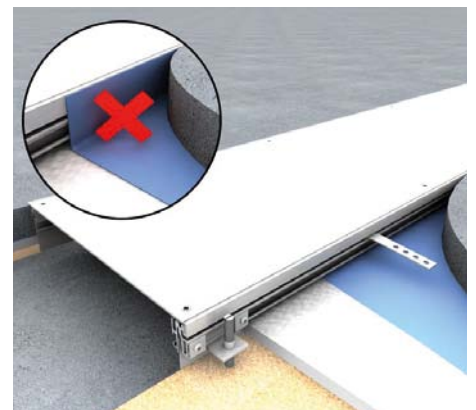
39 | Duct system for wet-cleaned linoleum floors
In addition, glue the transverse cross-beam (UEBSQT) and the final part (UEBSES) flush to the rubber seal.



40 | Sealing of the duct system
Seal all open areas of the duct system as well as the assembly kits using silicone.



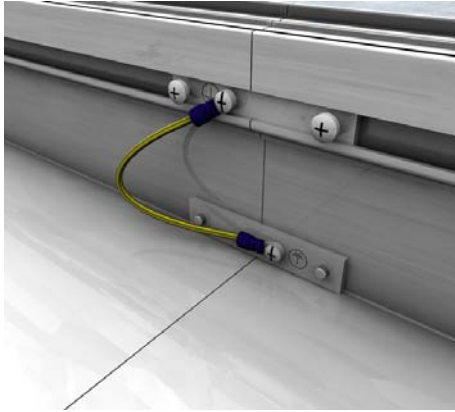
41 | Transverse cross-beam
Insert an additional cross-beam centrally under the dummy cover for higher loads than office traffic loads.



42 | Screed work
To avoid cracks in the screed, pay attention to screed compression and screed conciseness.

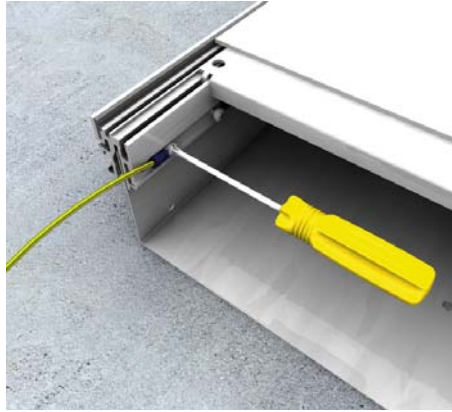
Screed flush duct

Assembly instruction



43 | Grounding of the duct pan

Adjust both floor pans and screw them tight with each other by using the side connection and two screws (M4x5). Between aluminum profile and floor pan needs to be an electrically conductive connection made by the customer. Therefore, both floor pans and the electrically conductive connection are a part of the equipotential bonding.



44 | Duct grounding

In case the customer needs it, the protective conductor terminal can be a part of the grounding measurements by using the provided grounding connector. One grounding connector is delivered with one duct installation unit.



Errors and technical modification subject to change, reproduction as well as electronic duplication only with our written permission. With appearance of this print all preceding documents lose their validity

