

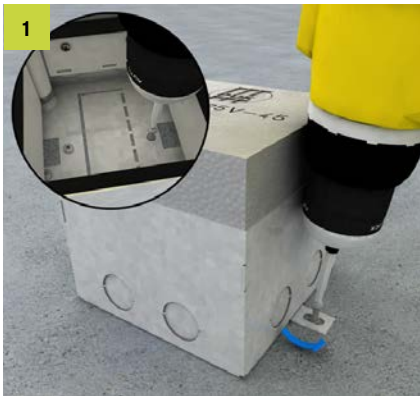
Compact single outlet, angular

Assembly instruction



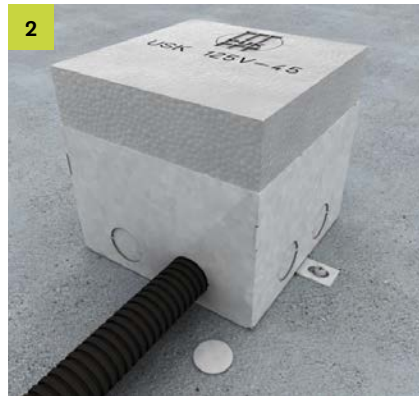


Square compact single outlet with dimensions 125 x 125 mm, 160 x 160 mm, 184 x 258 mm and 258 x 258 mm for screed installation in dry and wet floors. The floor box, the stainless steel unit and the shuttering unit are included in delivery. For parquet and stone flooring with a thickness of 12/22 mm and height-adjustable between 80 - 95 or 90 - 135 mm.



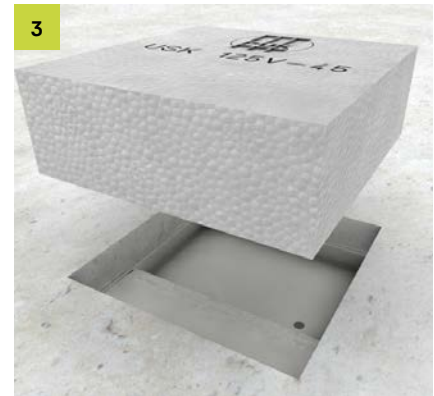
1 Floor box

Bend up and align the attachment tab on the bottom of the floor box. Affix the floor box to the slab ceiling - optional attachment via internal attachment holes.



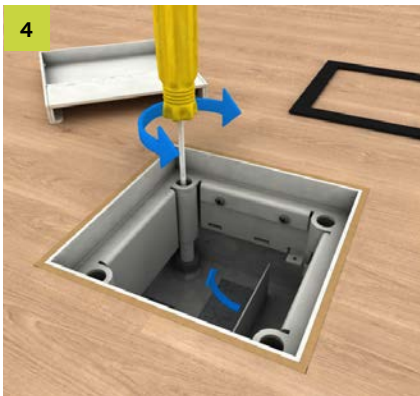
2 Plastic pipe

Remove the perforation on the side walls of the floor box and insert plastic pipe.



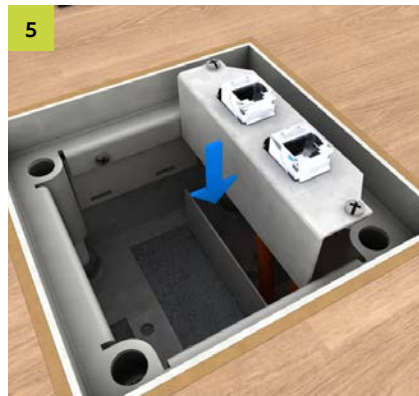
3 Screed work

Mask compact single outlet (UKE125 V) on all open areas. Pour the screed cleanly around the shuttering unit and remove the shuttering unit after the screed has hardened. The stainless steel unit must be insulated in case of terrazzo/screed floors.



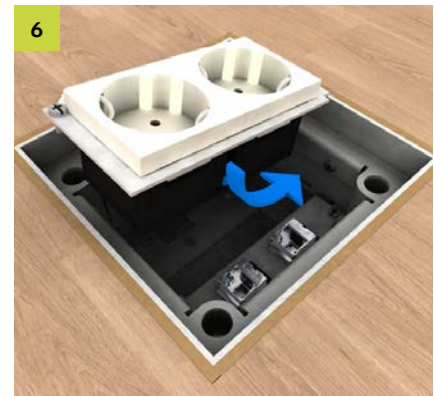
4 Floor adjustment

Remove cassette cover and rubber seal. Set the single outlet flush to the finished floor level using the four levelling screws. If necessary, bend the perforated separating string out of the floor plate.



5 Data equipment

Insert connected data jacks into the data board from below. Screw the assembled board to the side of the board holder in the single outlet (UKE125 V).



6 Power engineering

Insert the power engineering components into the board from above and connect them from below. Insert the assembled board into the frame using snap-fit and screw to the opposite side.



7

Equipment
Plug in the power and communication equipment.



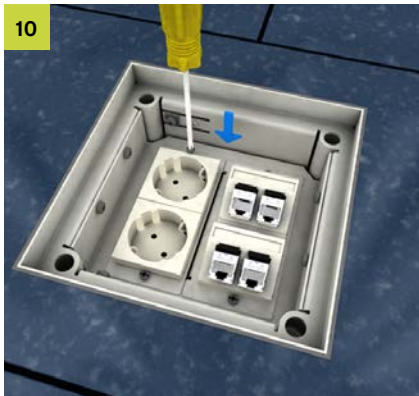
8

Single outlet
Insert the rubber seal and cartridge cover. Open the cover and pull the cable out through the cable outlet. For dry floors, install the cartridge installation unit with cable outlet. Pay attention to equipotential bonding.



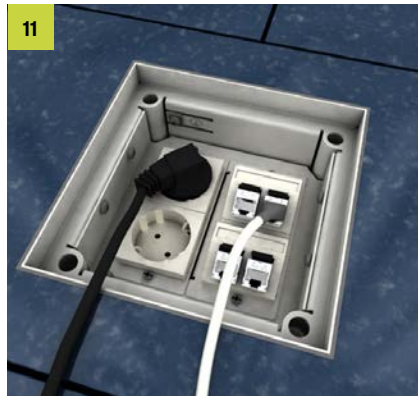
9

Installation devices
Snap the power sockets and data equipment into the boards (UKE160 V) and connect them to the cables.



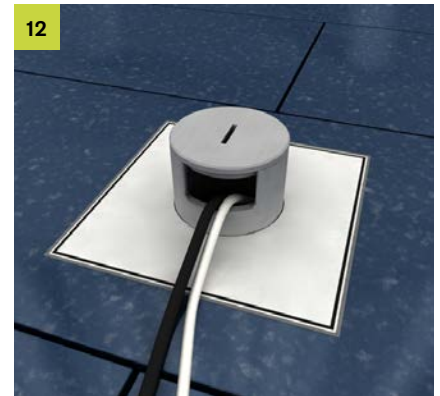
10

Single outlet frame
Screw the assembled board onto the single outlet frame (UKE160 V).



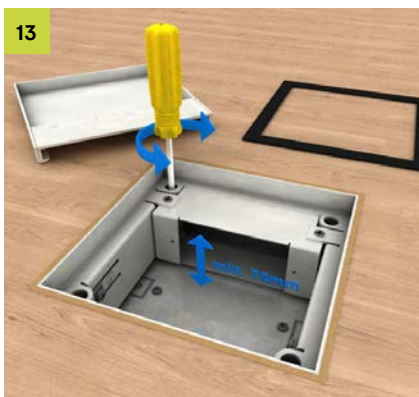
11

Equipment
Plug in the power and communication equipment.



12

Tube
Insert rubber seals and tube cover, pull cable out through the tube outlet. For wet floors, install a single outlet tube. Pay attention to equipotential bonding.



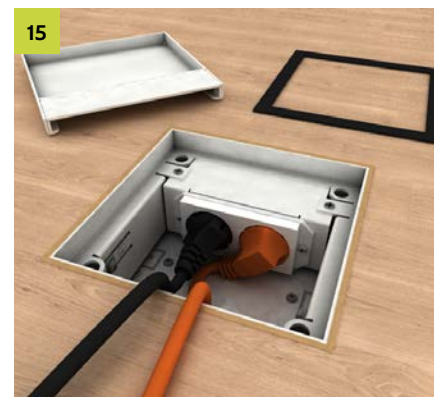
13

Flat floor structure
Compact single outlet (UKEF 160 V) for direct installation in screed from a height of 70 mm. Adjust the single outlet to the finished floor level (70 - 95 mm) using the levelling screws.



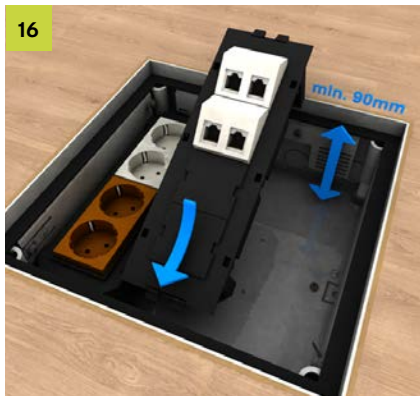
14

Installation devices
Snap the installation components into plug-in board (UGEE3) from the front, mount the connection line and screw the entire element to the device carrier.



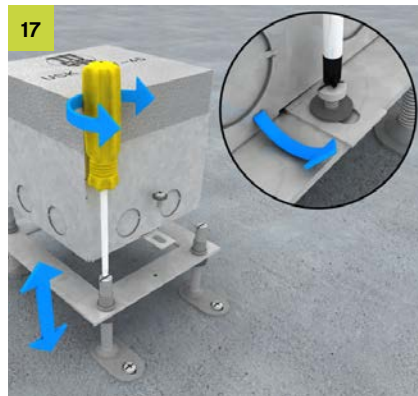
15

Equipment
It can be assembled with up to two power engineering or data equipment. Suitable for straight or angle plugs.



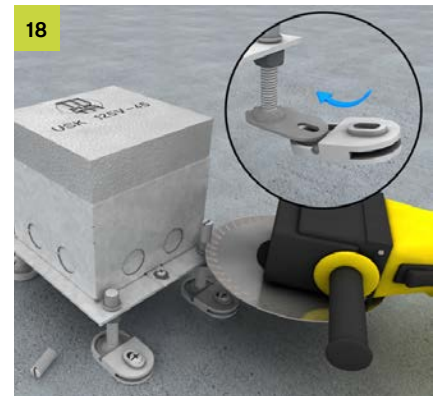
Insertion

Insert mounting box (UG3) as deep as possible into the snap-in ladder. Minimum installation depth 90 mm.



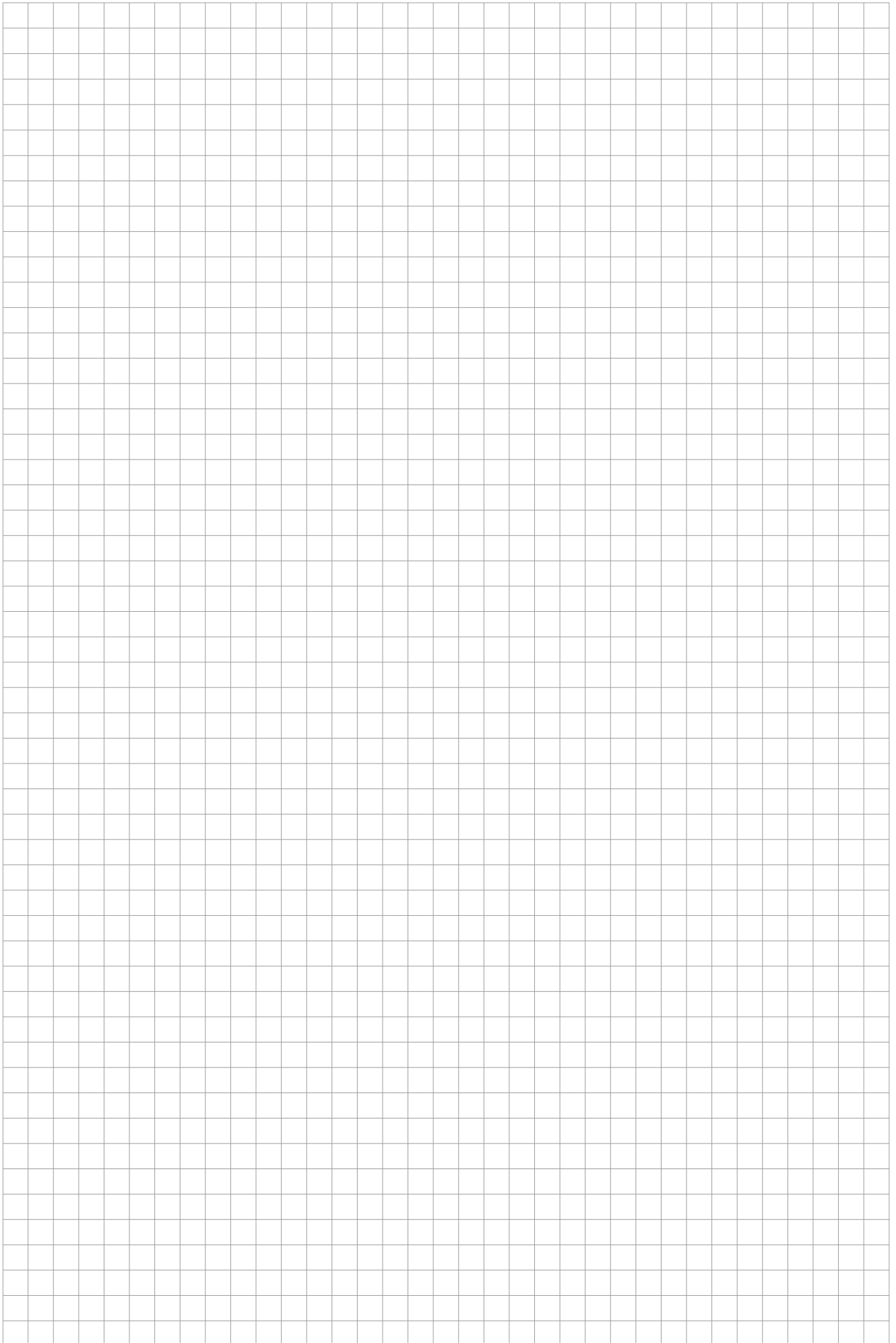
Levelling board

When using the optional levelling board, the levelling range can be additionally increased between 25 - 70 mm. Bend up attachment tab on the bottom of the unit, align and attach it to the levelling board. Level the system to the defined screed height.



Impact noise decoupling

Optional rubber impact noise sleeve sockets (UGM SLF) can be slipped over the levelling base for impact noise decoupling. Both components must be attached to the slab ceiling with nail plugs. Cut the levelling bases as required. This provides a measured impact noise improvement of 3 dB.



All rights reserved. Reprinting and any electronic reproduction only authorised with our written permission. Errors and technical changes reserved. No liability can be accepted by the publisher on any legal basis whatsoever. This publication supersedes all previous versions of the document, thereby rendering them invalid.

© PohlCon | PC-LIT-MA-UKE-EN | 11-2018 | 2. v. | 10-2023

PohlCon GmbH

Nobelstr. 51
12057 Berlin
Germany

T +49 30 68283-04
F +49 30 68283-383

www.pohlcon.com