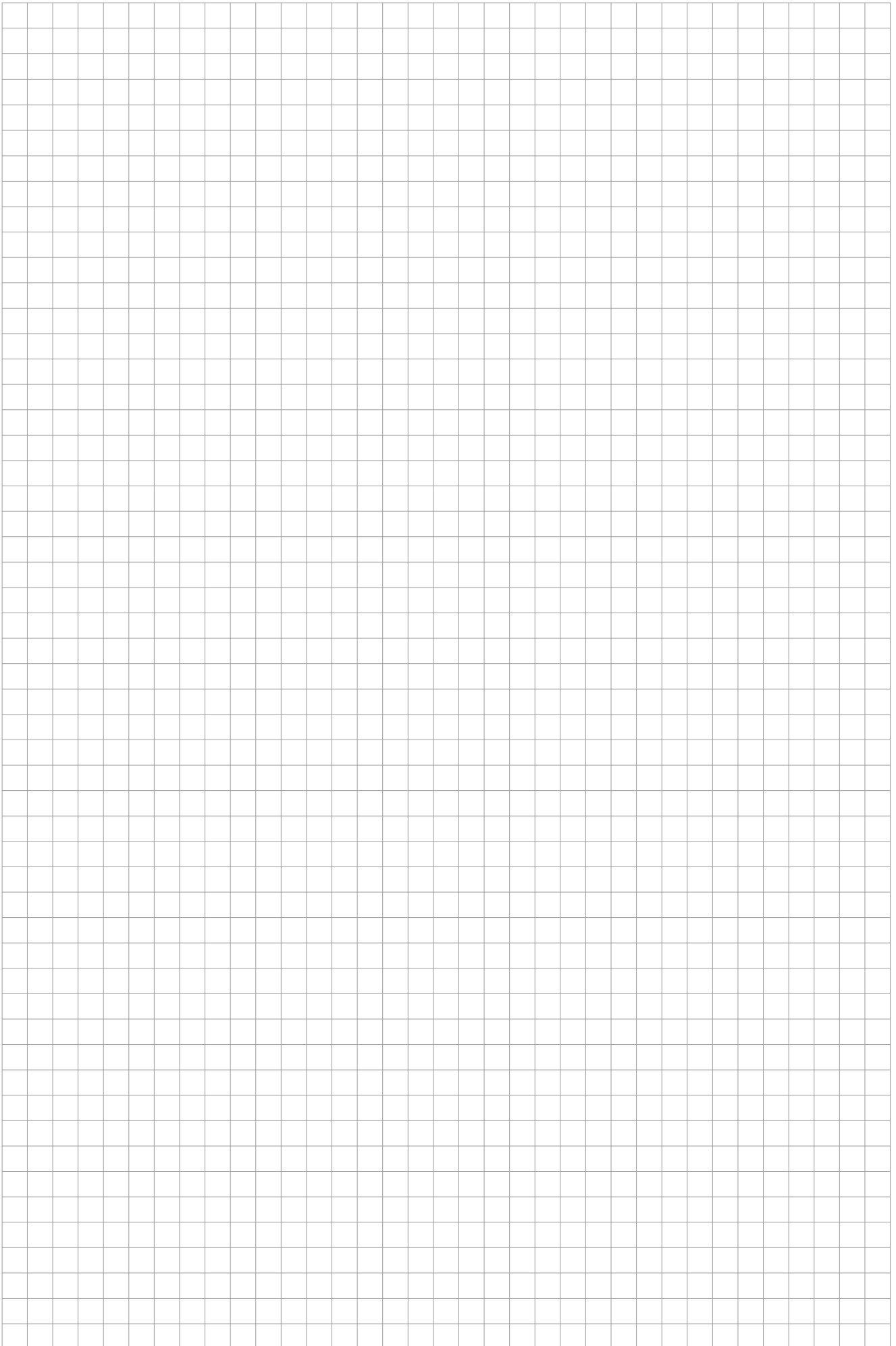
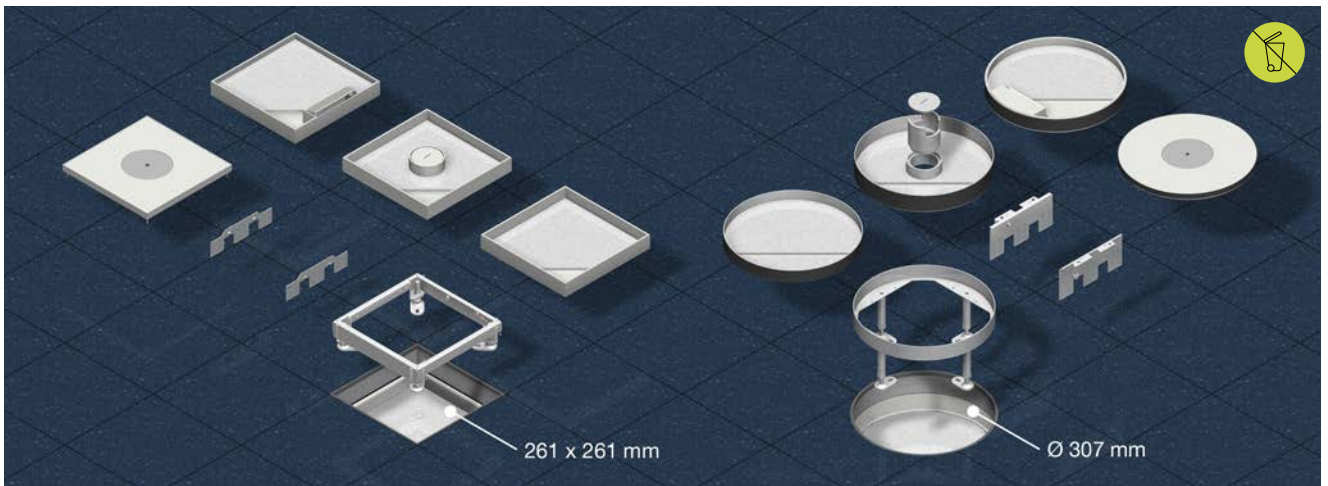


Heavy-duty cartridge units made of stainless steel

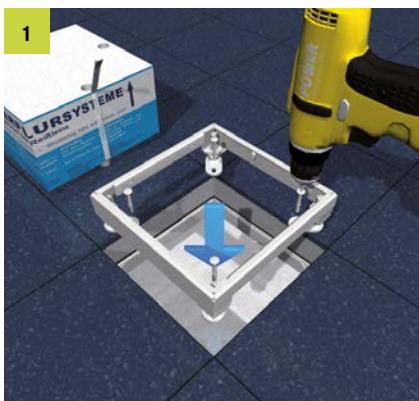
Assembly instruction





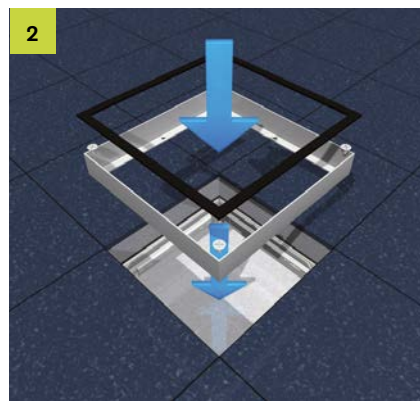


Stainless steel installation cartridge with levelling device, round or quadrangular, as dummy-, cable-outlet- or tube outlet cartridge with steel inlay for working loads up to 10 or 20 kN.



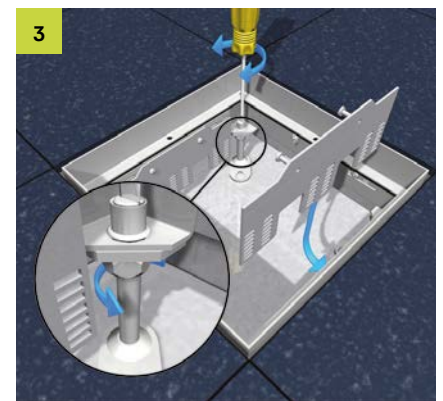
1 Levelling device

Remove shuttering unit and insert levelling device into the floor opening. Fasten the four levelling bases to the slab ceiling with drilling screws.



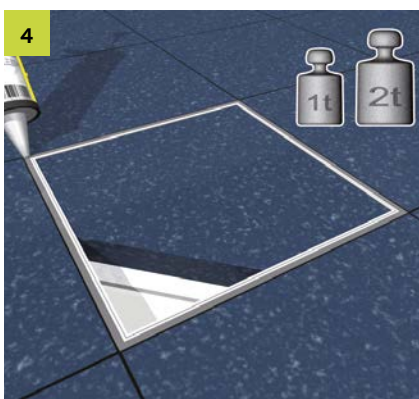
2 Stainless steel frame

Put the stainless steel frame on the levelling device. Tighten the four screws. Lay in the rubber seal.



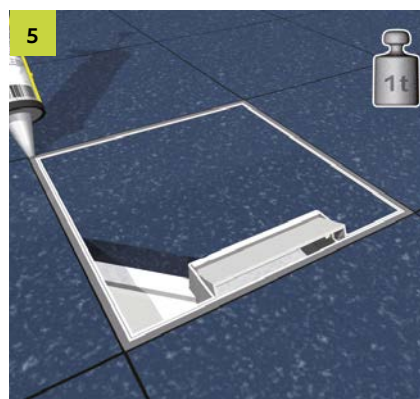
3 Levelling to floor

Adjust installation frame flush to the height of the floor construction with the four levelling bases. Counter the levelling bases against the frame with hexagonal nuts.



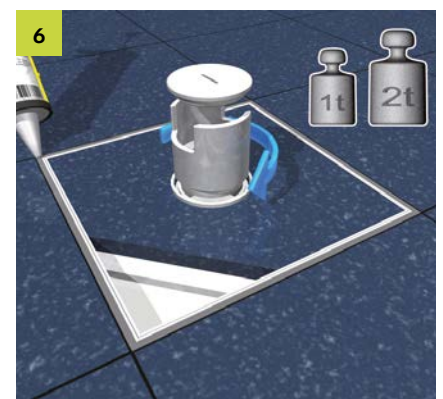
4 Dummy cartridge 10/20 kN

Put cartridge with integrated steel inlay into the frame, seal expansion joint. For loads from 10 kN up, the covering thickness must be at least 16 mm. For loads from 20 kN up, the covering thickness must be at least 24 mm. Observe the potential equalization.



5 Cable outlet cartridge 10 kN

Put cartridge with integrated steel inlay into the frame, seal expansion joint. For covering thickness from 16 mm up. Observe the potential equalization.



6 Tube outlet cartridge 10/20 kN

Put cartridge with integrated steel inlay and tube assembly set into the frame. Replenish the system with the tube. Seal expansion joint. From 10 kN load, min. 16 mm covering thickness is required. From 20 kN min. 24 mm. Alternatively, a flat cartridge can be used for working loads up to 20 kN. Observe the potential equalization.

All rights reserved. Reprinting and any electronic reproduction only authorised with our written permission. Errors and technical changes reserved. No liability can be accepted by the publisher on any legal basis whatsoever. This publication supersedes all previous versions of the document, thereby rendering them invalid.

© PohlCon | PC-LIT-MA-UEBDSM-EN | 07-2018 | 3. v. | 10-2023

PohlCon GmbH

Nobelstr. 51
12057 Berlin
Germany

T +49 30 68283-04
F +49 30 68283-383

www.pohlcon.com