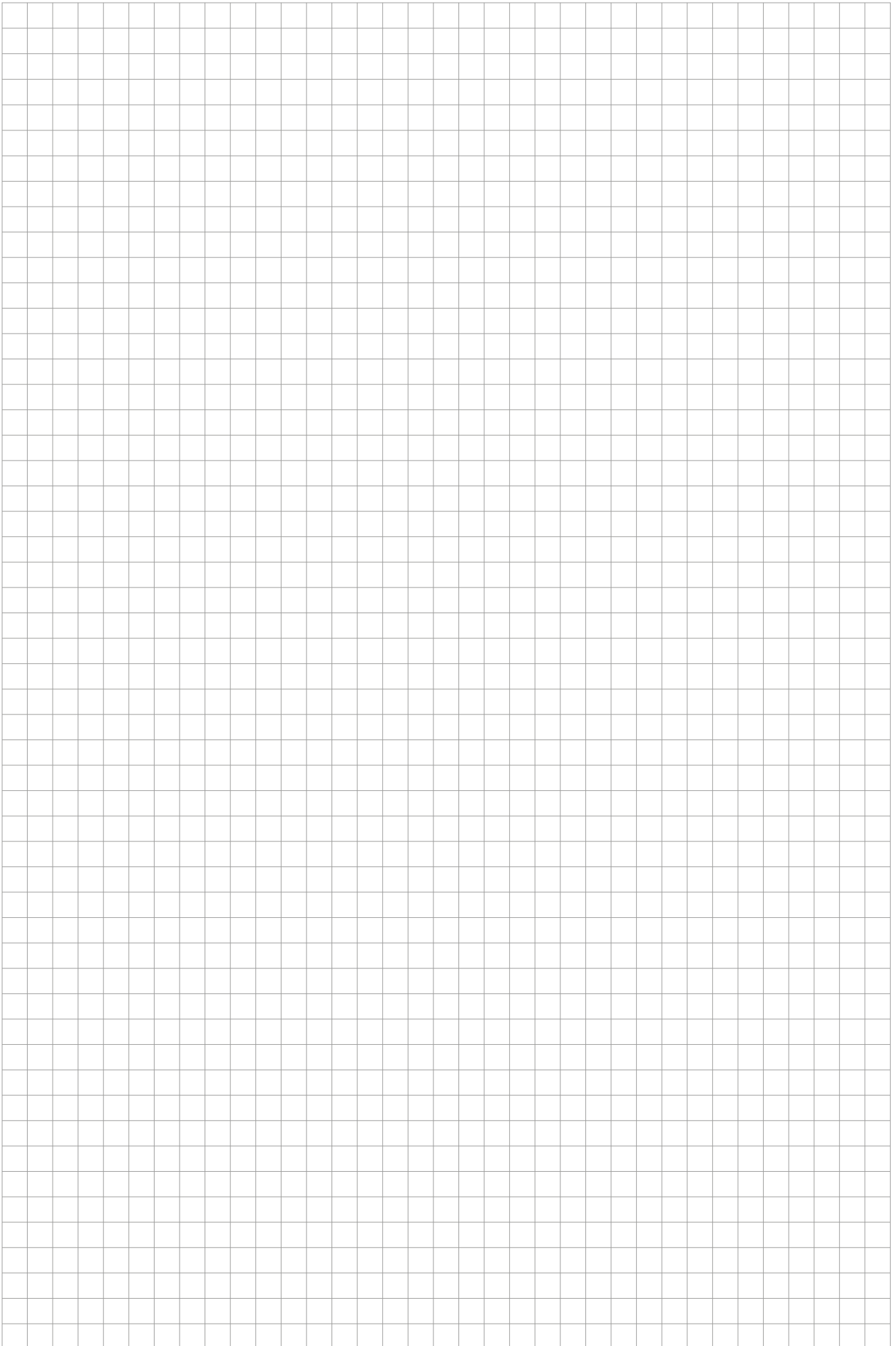
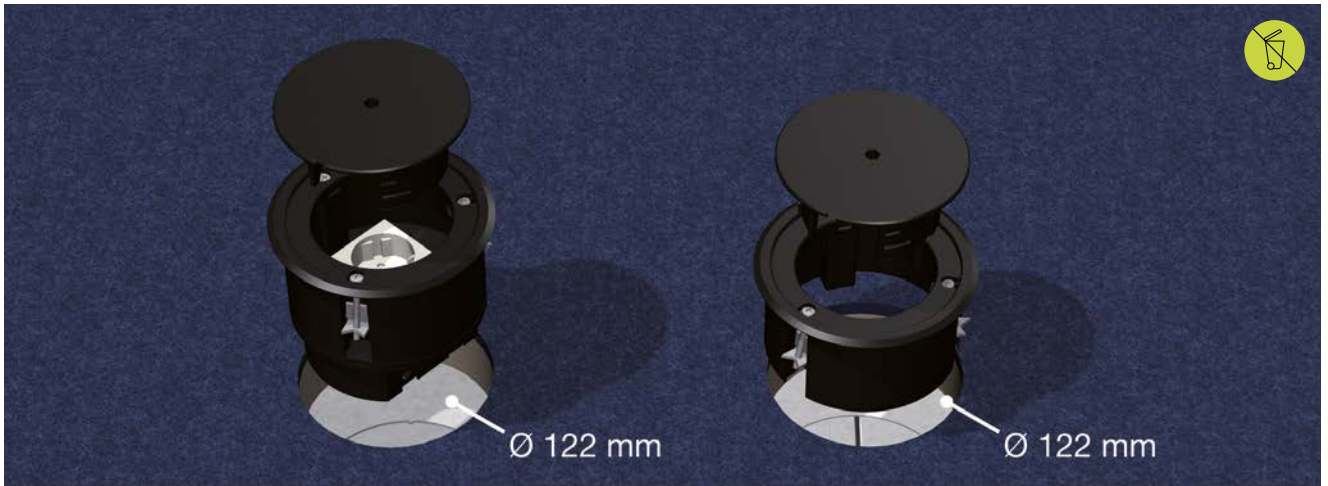


Single outlet BODO, dry maintenance floors

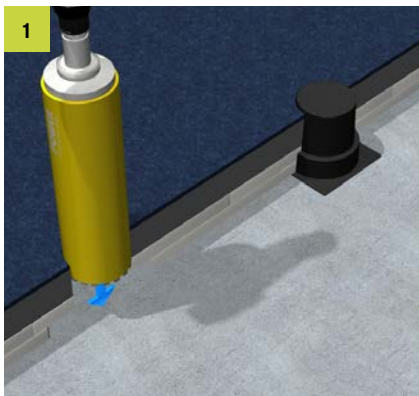
Assembly instruction







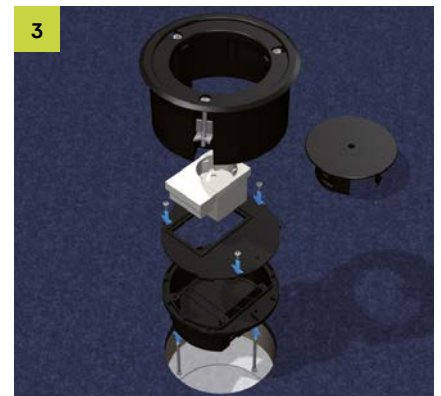
Round single outlet with protection frame made of synthetic material with an external diameter of 133 mm, equipped with an isolated ground receptacle or inspection chamber. For the installation into screed or raised floors. Other equipment options are available. Electrical and electronic equipment must not be disposed off via the household waste.



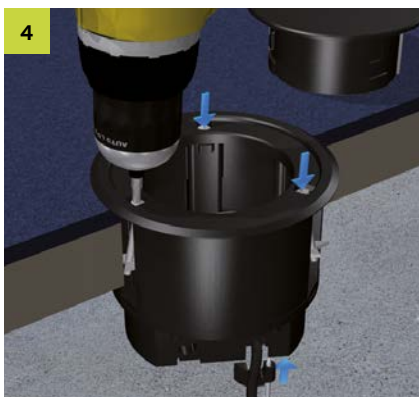
1 Raised/hollow floors
 Create a floor opening in screed or raised floor by means of shuttering or drill bit.



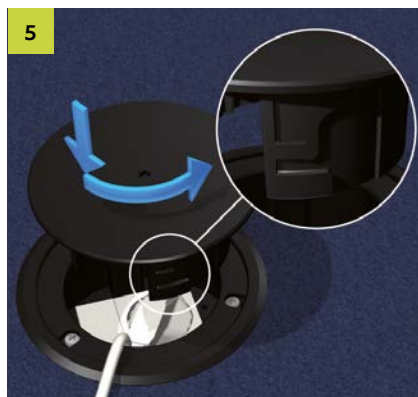
2 Cable outlet cover
 Open cable outlet cover with Allen key (must be ordered separately) counter clock-wise by pulling it out.



3 Assembly of receptacle
 In order to connect, disassemble the pre-converted single outlet, insert cable and connect to receptacle. Then assemble cover plate, receptacle and device cup.



4 Fasten strain relief and frame
 Insert the strain relieves from below and secure cable. Tighten claws with phillips head screws.



5 Cable outlet
 Place plug and insert cable outlet lid counter clockwise with bayonet locking device.



6 Mounting
 Lead the cable from an quadrangular or straight plug through the cable outlet.

All rights reserved. Reprinting and any electronic reproduction only authorised with our written permission. Errors and technical changes reserved. No liability can be accepted by the publisher on any legal basis whatsoever. This publication supersedes all previous versions of the document, thereby rendering them invalid.

© PohlCon | PC-LIT-MA-BODO-T-EN | 10-2023 | 2. v. | 10-2023

PohlCon GmbH

Nobelstr. 51
12057 Berlin
Germany

T +49 30 68283-04
F +49 30 68283-383

www.pohlcon.com