

Underfloor Systems

Catalogue

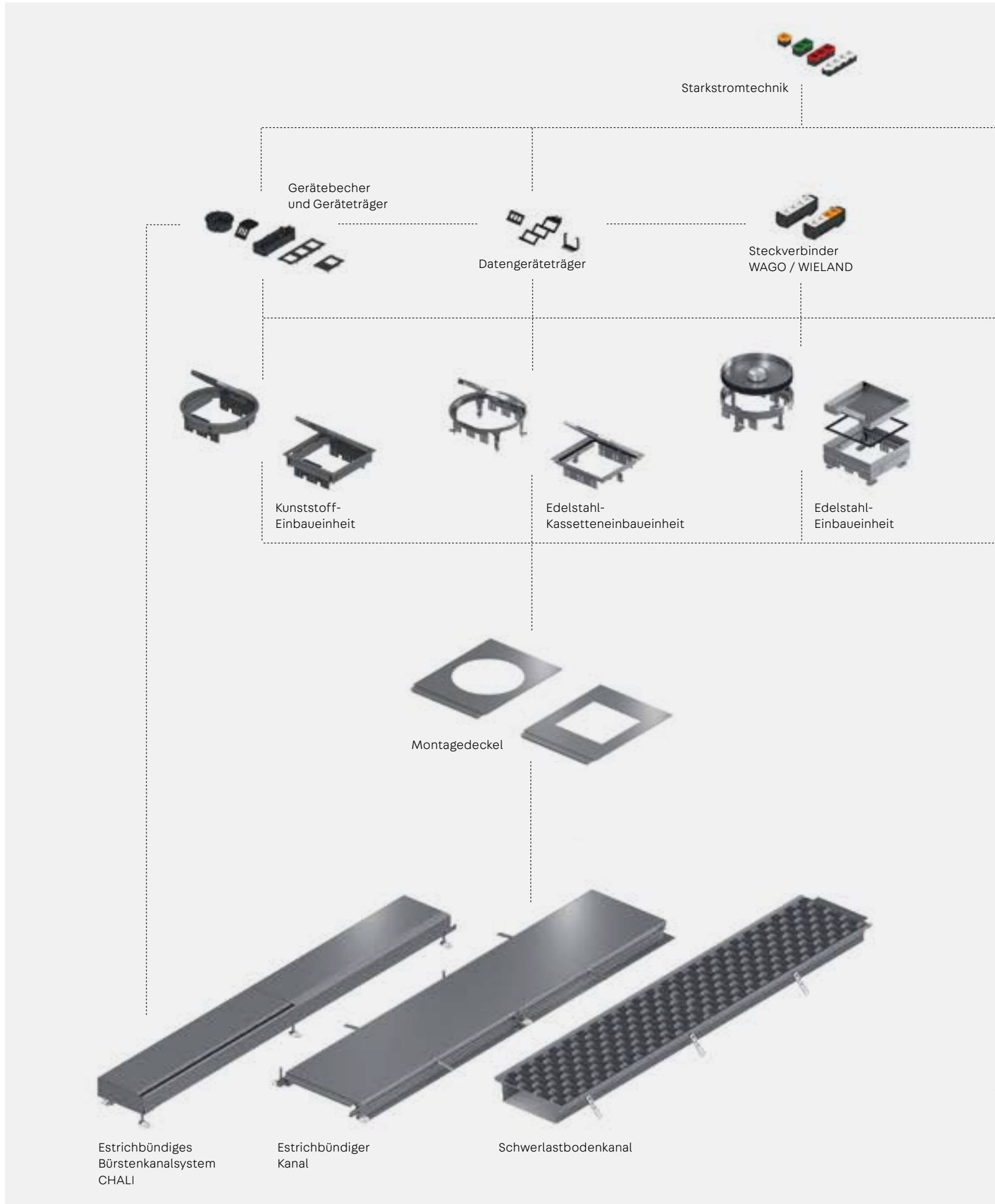


Underfloor systems

Screed-flush duct systems	A01
Screed-covered duct systems	B01
Installation units for screed and false floors	C01
Mounting boxes and installation devices	D01
Planning	E01

Underfloor systems

Complete overview



Underfloor systems

Complete overview



Datentechnik



Geräteträger



Geräteinsatz



Steckverbindersystem
FI/LS



Einzelauslass
BODO rund



Einzelauslass
eckig



Schalungskörper



Schalungskörper



Hohlraumbodendose



Montagedeckel



Unterflurkanal



Kabelkanalsystem



Kompakteinzel-
auslass



Reinigungs-
steckdose



Screed-flush duct systems

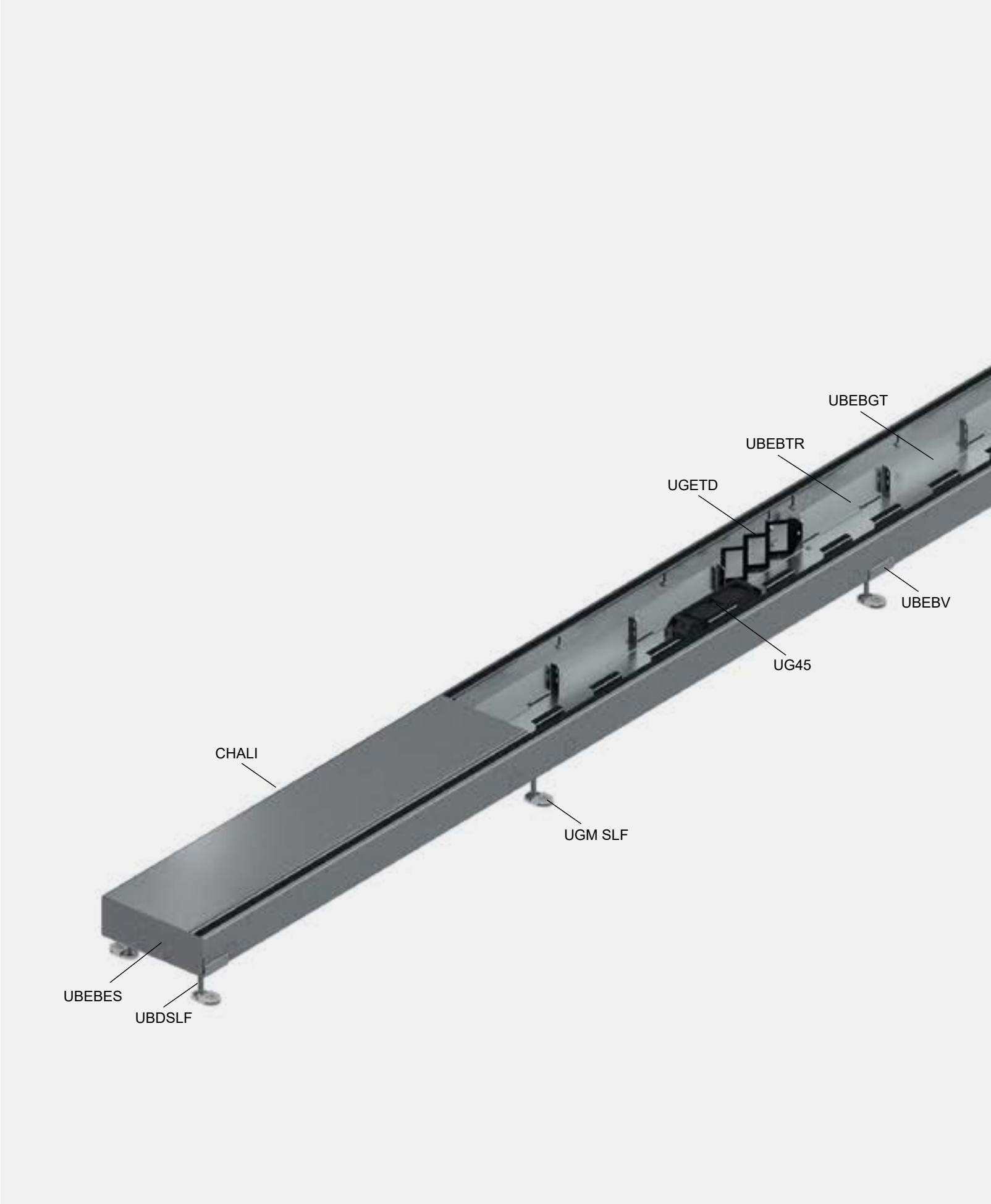
Screed-flush brush duct system System overview	A02
Screed-flush brush duct system	A04
Screed-flush duct System overview	A08
Screed-flush duct	A10
Screed-flush duct Mounting kit	A15
Screed-flush duct Accessories	A19
Heavy-duty underfloor duct System overview	A24
Heavy-duty underfloor duct	A26
Heavy-duty underfloor duct Shaped parts	A28
Heavy-duty underfloor duct Accessories	A29



A

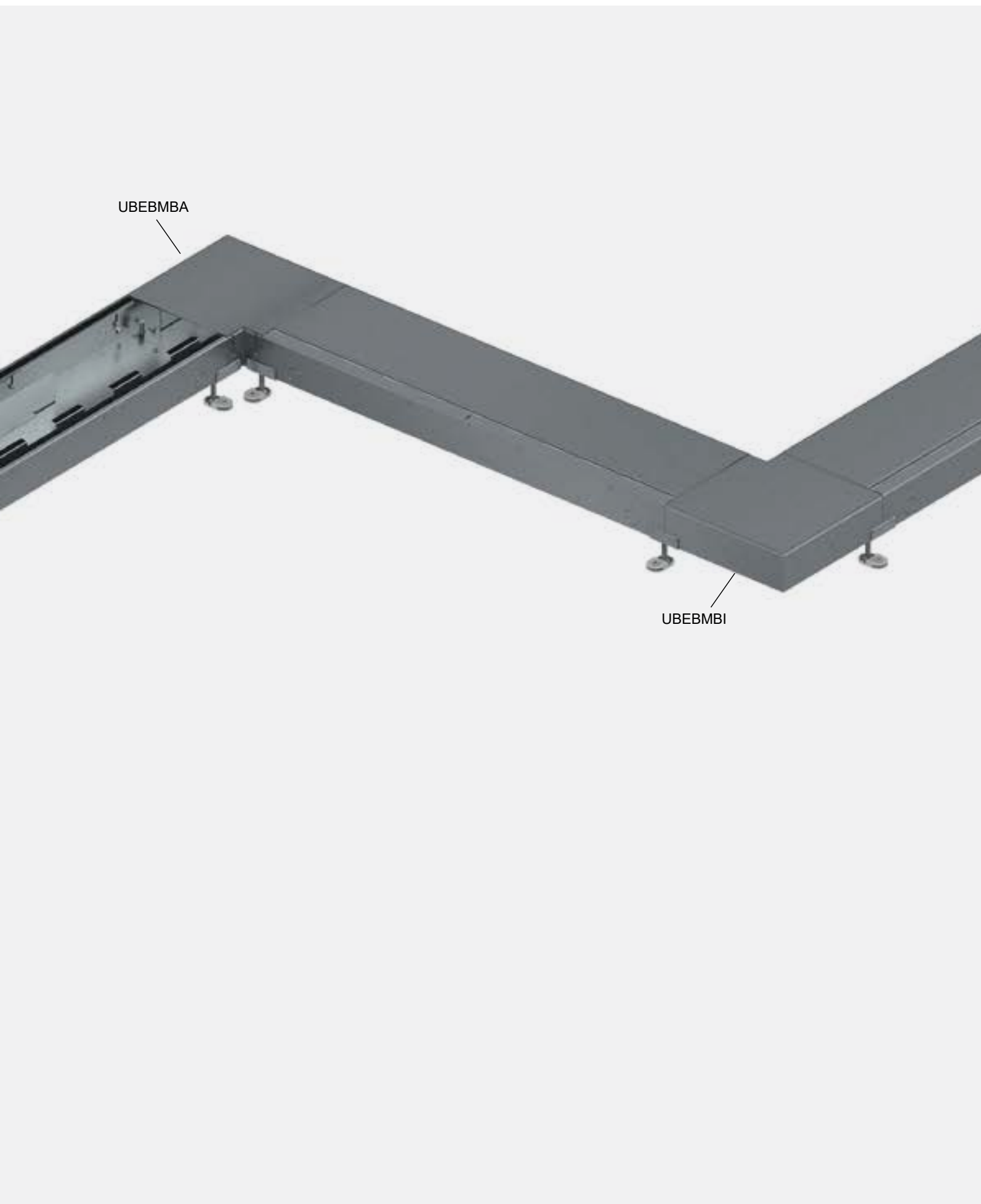
Screed-flush duct systems

Screed-flush brush duct system | System overview



Screed-flush duct systems

Screed-flush brush duct system | System overview



Screed-flush duct systems

Screed-flush brush duct system

CHALI Screed-flush brush duct

Screed-flush brush duct with coverable brush and removable covers for horizontal cable guidance.

Article number	H mm	W mm	L mm	L ₁ mm	D mm	E mm	Depth mm	P _{max} kN	IP _n	IP _g	G kg
S											
CHALI 85-25S	85	255	2000	500	32	265	25	5	IP 5	IP 20	35.18

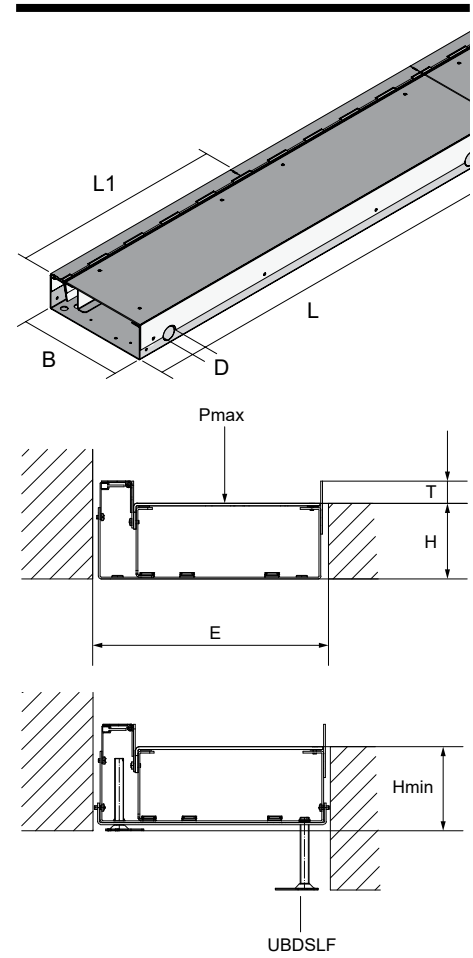
has optional accessories:

UBEBTR	Separating strip	(Page A07)
UBEBGT	Device carrier fixture	(Page A07)
UBEBES	Variable end piece	(Page A05)
UBEBV	Connector for CHALI	(Page A04)
UBDSLFL	Levelling base	(Page A05)



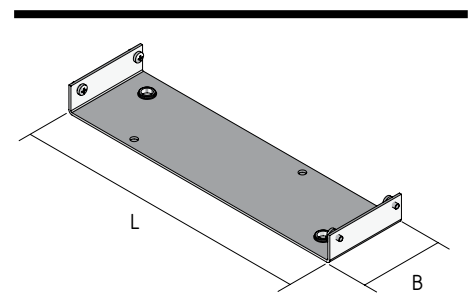
UBDSLFL 80: 92-160 mm
 UBDSLFL 150: 158-230 mm
 UBDSLFL 220: 228-300 mm

The use of the subsonic noise sleeve socket UGM-SLF increases the levelling range by 3 mm.



UBEBV Connector

Article number	W mm	L mm	G kg
S			
UBEBV 85-25S	70	251	0.33

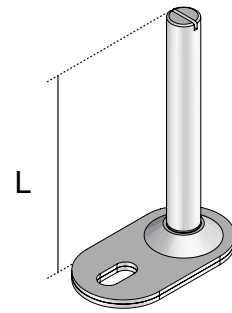


Screed-flush duct systems

Screed-flush brush duct system

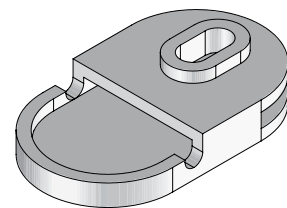
UBDSLFL Levelling base

Article number	L mm	G kg
S		
UBDSLFL 60	60	0.07
UBDSLFL 80	80	0.07
UBDSLFL 150	150	0.09
UBDSLFL 220	220	0.10



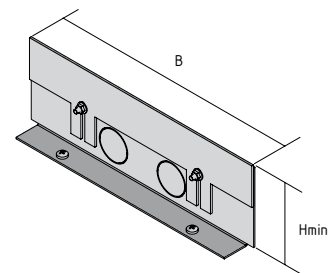
UGM SLF Subsonic noise sleeve socket - levelling base

Article number	G kg
TPS/TPE	
UGM-SLF	0.01



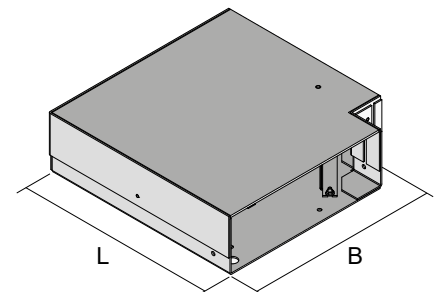
UBEBES End piece

Article number	H _{min} mm	N mm	W mm	G kg
S				
UBEBES 85-25S	80	25	250	0.88



UBEBMBA Outside bend

Article number	W mm	L mm	G kg
S			
UBEBMBA 85-25S	297	297	5.55

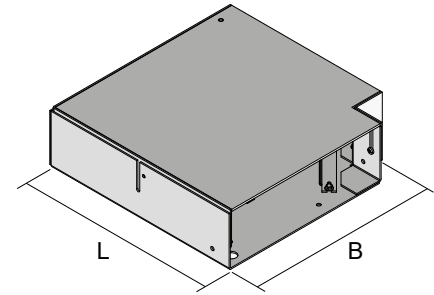


Screed-flush duct systems

Screed-flush brush duct system

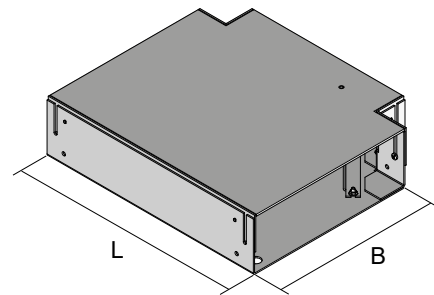
UBEBMBI Inside bend

Article number	W mm	L mm	G kg
S			
UBEBMBI 85-25S	295	295	5.44



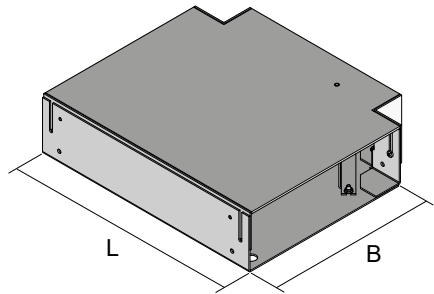
UBEBMAL T-branch, left

Article number	W mm	L mm	G kg
S			
UBEBMAL 85-25S	252	340	5.49



UBEBMAR T-branch, right

Article number	W mm	L mm	G kg
S			
UBEBMAR 85-25S	252	340	5.49

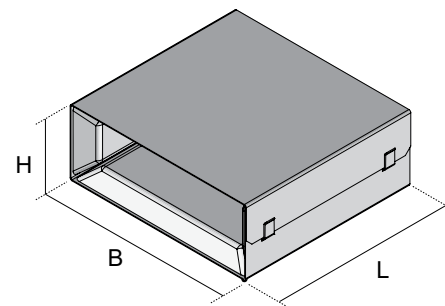


UKBS CHALI Fire-resistant partition

Article number	H _I mm	B _I mm	H _A mm	B _A mm	L mm	E	G kg
PVC							
UKBS 35-130S	35	130	60	160	150	180 x 90	1.60

has optional accessories:

UBEBBS Fastening set for fire-resistant partition, (Page A07)
CHALI

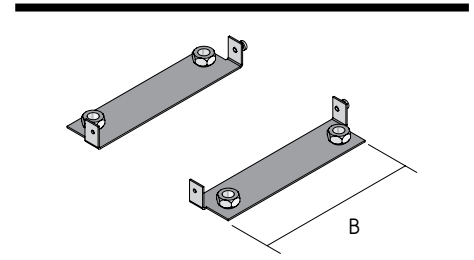


Screed-flush duct systems

Screed-flush brush duct system

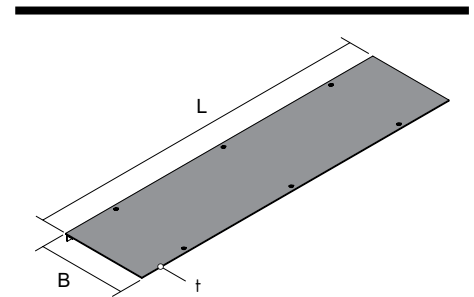
UBEBBS Fastening set for fire-resistant partition, CHALI

Article number	W mm	G kg
S		
UBEBBS 160S	160	0.21



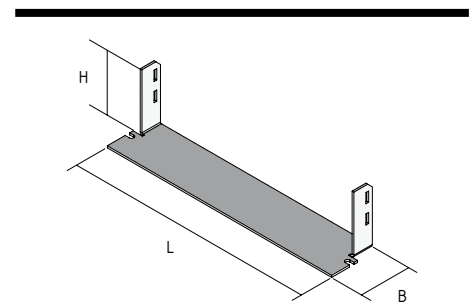
UBEBBDL Dummy cover with strip

Article number	W mm	L mm	t mm	G kg
S				
UBEBBDL 25S	248	1000	3	6.42



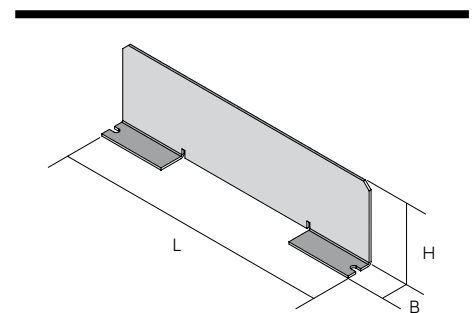
UBEBGT Device carrier fixture

Article number	H mm	W mm	L mm	G kg
S				
UBEBGT S	63	45	244	0.22



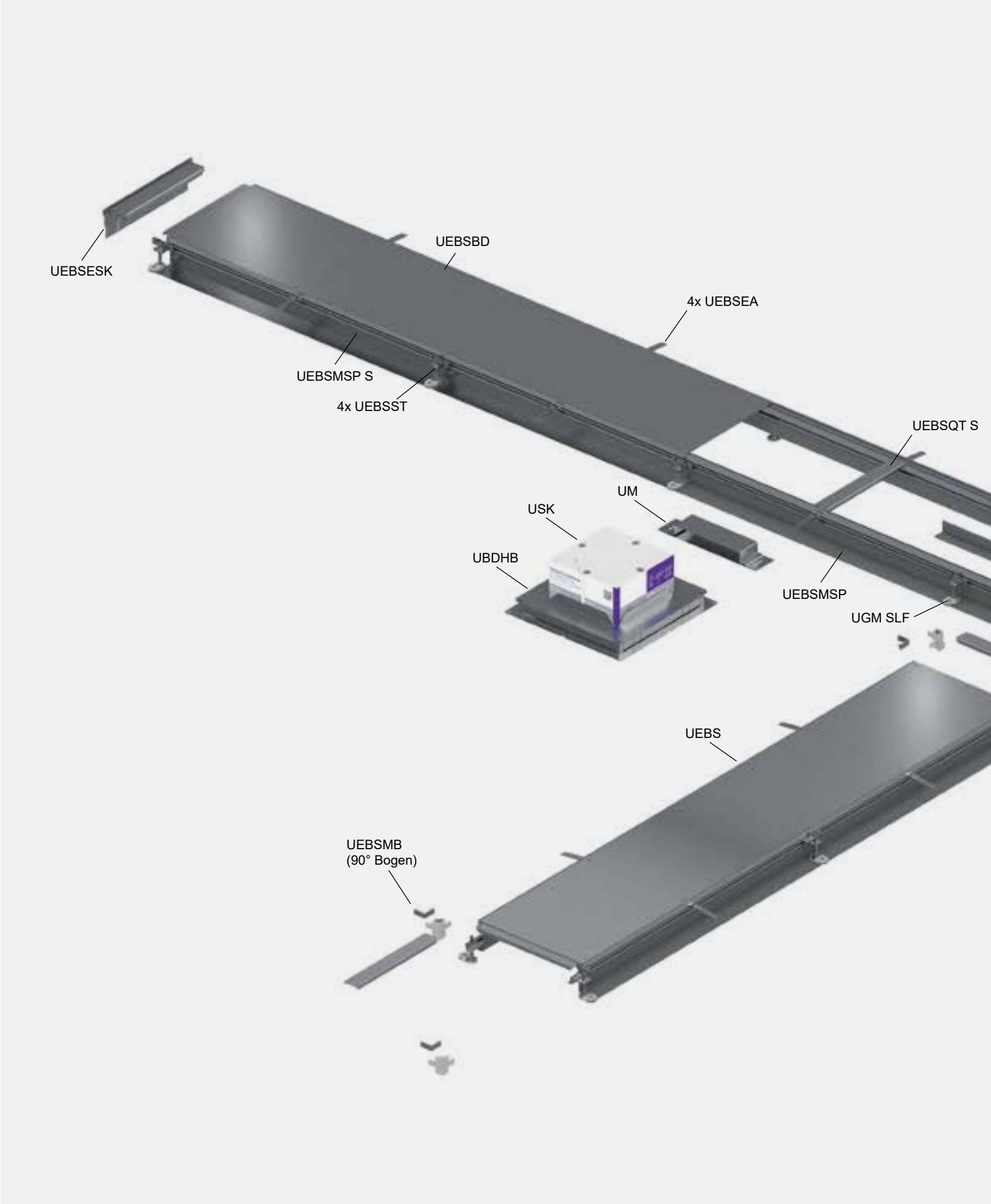
UBEBTR Separating strip

Article number	H _{min} mm	W mm	L mm	G kg
S				
UBEBTR 85S	70	23	244	0.29



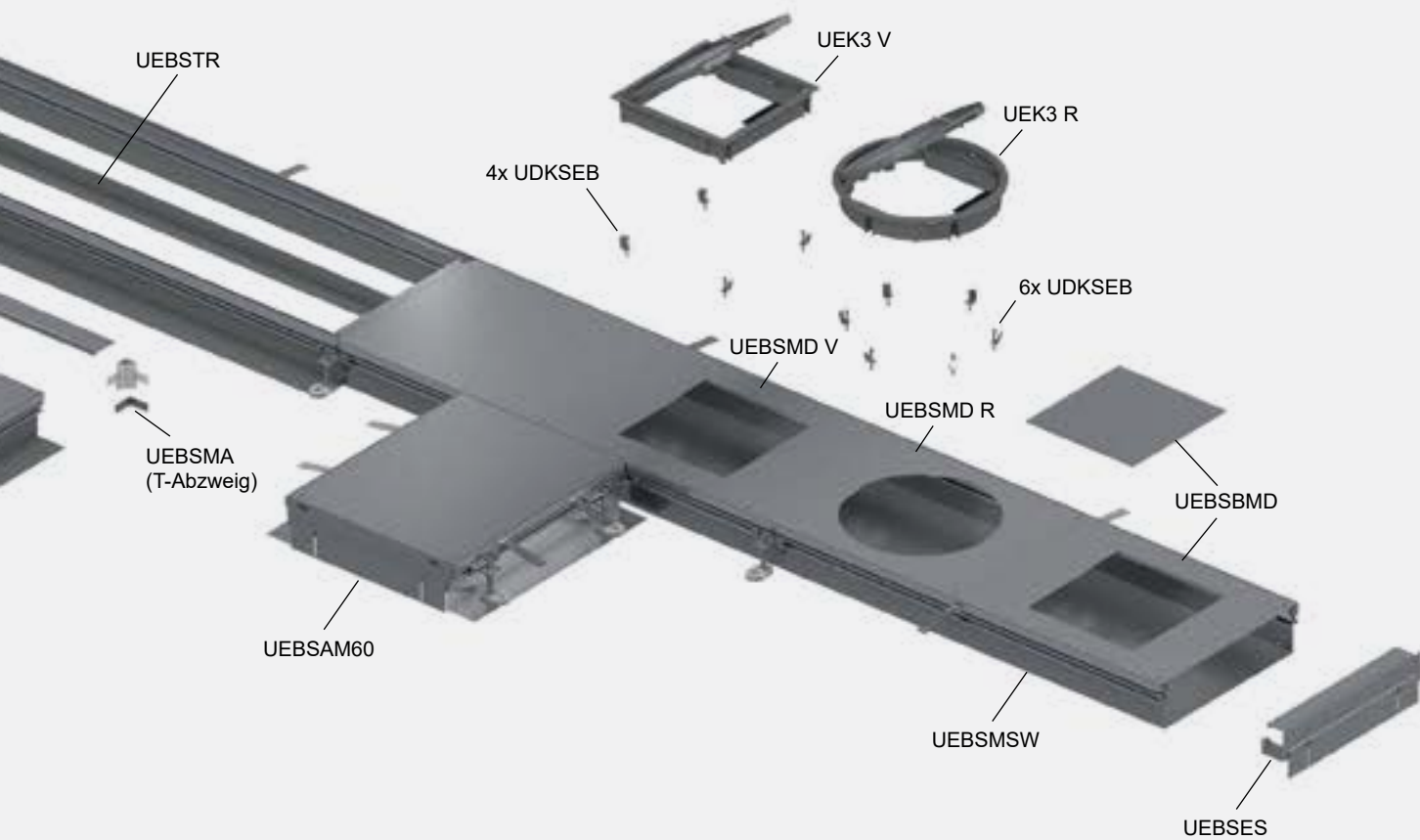
Screed-flush duct systems

Screed-flush duct | System overview



Screed-flush duct systems

Screed-flush duct | System overview



Screed-flush duct systems

Screed-flush duct

UEBS Screed-flush duct, one section

Screed-flush duct system consisting of 1x duct UEBS, 2x side walls UEBSMSP or 1x tray UEBSMSW and 4x levelling supports UEBSST. Assembly instructions can be found in the Assembly chapter.

Article number	H _{min} mm	N mm	W mm	L mm	E mm	t mm	P _{max} kN	IP _n	G kg
S									
UEBS 20S	60	+90	200	2000	400	3	3	IP 30	15.14

has accessories included:

2 x UEBSPT-3 AL	Carpet edge with abutting edge 0/3 mm	(Page A15)
1 x UEBSE	Earth connector	(Page A13)
4 x UEBSEA	Screed anchor	(Page A15)
4 x UEBSD 20S	Dummy cover	(Page A14)

Article number	H _{min} mm	N mm	W mm	L mm	E mm	t mm	P _{max} kN	IP _n	G kg
S									
UEBS 30S	60	+90	300	2000	500	3	3	IP 30	20.30

has accessories included:

2 x UEBSPT-3 AL	Carpet edge with abutting edge 0/3 mm	(Page A15)
1 x UEBSE	Earth connector	(Page A13)
4 x UEBSEA	Screed anchor	(Page A15)
4 x UEBSD 30S	Dummy cover	(Page A14)

Article number	H _{min} mm	N mm	W mm	L mm	E mm	t mm	P _{max} kN	IP _n	G kg
S									
UEBS 40S	60	+90	400	2000	600	3	3	IP 30	25.46

has accessories included:

2 x UEBSPT-3 AL	Carpet edge with abutting edge 0/3 mm	(Page A15)
1 x UEBSE	Earth connector	(Page A13)
4 x UEBSEA	Screed anchor	(Page A15)
4 x UEBSD 40S	Dummy cover	(Page A14)

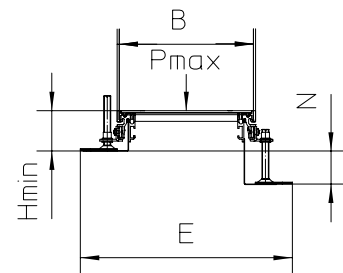
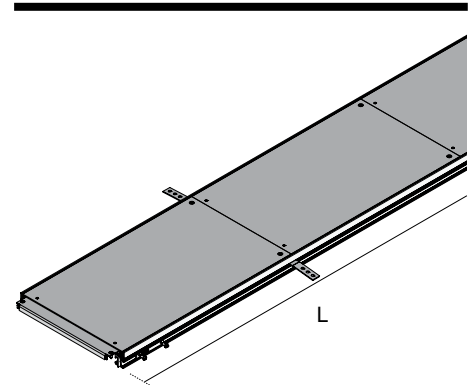
Article number	H _{min} mm	N mm	W mm	L mm	E mm	t mm	P _{max} kN	IP _n	G kg
S									
UEBS 50S	60	+90	500	2000	700	3	3	IP 30	30.86

has accessories included:

2 x UEBSPT-3 AL	Carpet edge with abutting edge 0/3 mm	(Page A15)
1 x UEBSE	Earth connector	(Page A13)
4 x UEBSEA	Screed anchor	(Page A15)
4 x UEBSD 50S	Dummy cover	(Page A14)

has optional accessories:

UEBSMSP S	Side walls, sheet steel	(Page A07)
UEBSMSP	Side walls, plastic	(Page A07)
UEBSMSW	Floor tray	(Page A05)
UEBSST	Levelling support	(Page A07)
UEBSQT S	Cross beam	(Page A15)
UEBSQT	Cross beam	(Page A15)

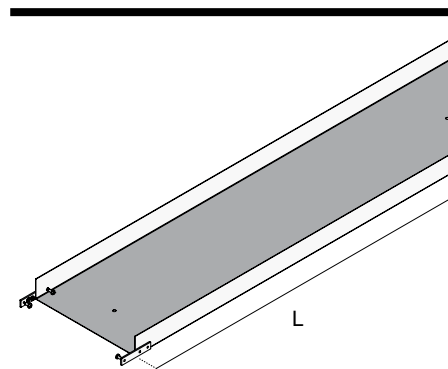


Screed-flush duct systems

Screed-flush duct

UEBSMSW Floor tray

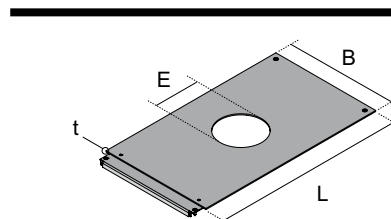
Article number	H _{min} mm	N mm	W mm	L mm	G kg
S					
UEBSMSW 60-20S	60	+30	200	2000	4.28
UEBSMSW 60-30S	60	+30	300	2000	5.85
UEBSMSW 60-40S	60	+30	400	2000	7.42
UEBSMSW 60-50S	60	+30	500	2000	8.99
UEBSMSW 80-20S	80	+30	200	2000	4.91
UEBSMSW 80-30S	80	+30	300	2000	6.48
UEBSMSW 80-40S	80	+30	400	2000	8.05
UEBSMSW 80-50S	80	+30	500	2000	9.62
UEBSMSW 100-20S	100	+30	200	2000	5.54
UEBSMSW 100-30S	100	+30	300	2000	7.11
UEBSMSW 100-40S	100	+30	400	2000	8.68
UEBSMSW 100-50S	100	+30	500	2000	10.25
UEBSMSW 120-20S	120	+30	200	2000	6.17
UEBSMSW 120-30S	120	+30	300	2000	7.74
UEBSMSW 120-40S	120	+30	400	2000	9.31
UEBSMSW 120-50S	120	+30	500	2000	10.87



UEBSMD 122R Assembly cover, round

Article number	W mm	L mm	E mm	t mm	Mounting boxes	G kg
S						
UEBSMD-122R 20S	200	500	122	3	1	2.21
UEBSMD-122R 30S	300	500	122	3	1	3.50
UEBSMD-122R 40S	400	500	122	3	1	4.78

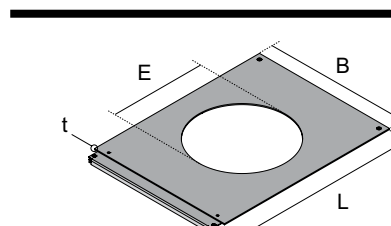
has accessories included:
 2 x **BSS 4.8x16** Countersunk sheet metal screw (Page A16, D51)



UEBSMD 260R Assembly cover, round

Article number	W mm	L mm	E mm	t mm	Mounting boxes	G kg
S						
UEBSMD-260R 40S	400	500	260	3	2	3.81

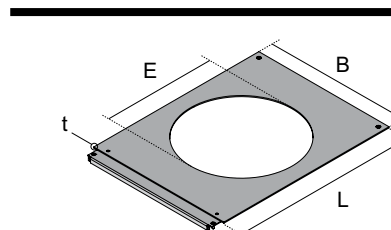
has accessories included:
 2 x **BSS 4.8x16** Countersunk sheet metal screw (Page A16, D51)



UEBSMD 307R Assembly cover, round

Article number	W mm	L mm	E mm	t mm	Mounting boxes	G kg
S						
UEBSMD-307R 40S	400	500	307	3	3	3.32
UEBSMD-307R 50S	500	500	307	3	3	4.66

has accessories included:
 2 x **BSS 4.8x16** Countersunk sheet metal screw (Page A16, D51)



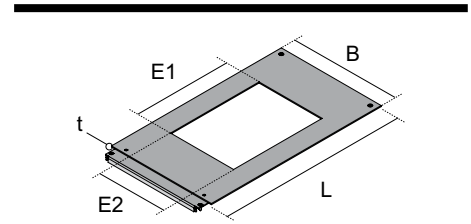
Screed-flush duct systems

Screed-flush duct

UEBSMD 185V Assembly cover, square

Article number	W mm	L mm	E1 mm	E2 mm	t mm	Mounting boxes	G kg
S							
UEBSMD-185V 30S	300	500	261	186	3	2	2.63
UEBSMD-185V 40S	400	500	261	186	3	2	3.92

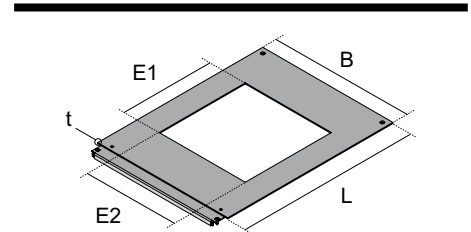
has accessories included:
 2 x **BSS 4.8x16** Countersunk sheet metal screw (Page A16, D51)



UEBSMD 260V Assembly cover, square

Article number	W mm	L mm	E1 mm	E2 mm	t mm	Mounting boxes	G kg
S							
UEBSMD-260V 40S	400	500	261	261	3	3	2.63
UEBSMD-260V 50S	500	500	261	261	3	3	4.79

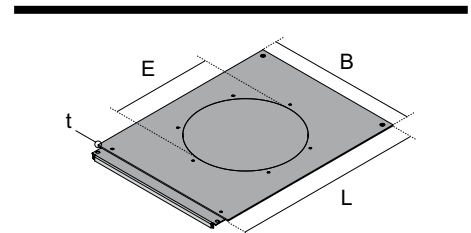
has accessories included:
 2 x **BSS 4.8x16** Countersunk sheet metal screw (Page A16, D51)



UEBSBMD 260R Assembly cover, dummy, round

Article number	W mm	L mm	E mm	t mm	Mounting boxes	G kg
S						
UEBSBMD-260R 40S	400	500	260	3	2	5.23

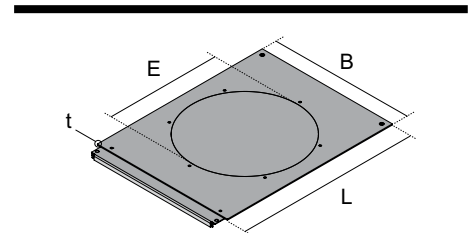
has accessories included:
 2 x **BSS 4.8x16** Countersunk sheet metal screw (Page A16, D51)



UEBSBMD 307R Assembly cover, dummy, round

Article number	W mm	L mm	E mm	t mm	Mounting boxes	G kg
S						
UEBSBMD-307R 40S	400	500	307	3	3	5.23
UEBSBMD-307R 50S	500	500	307	3	3	6.58

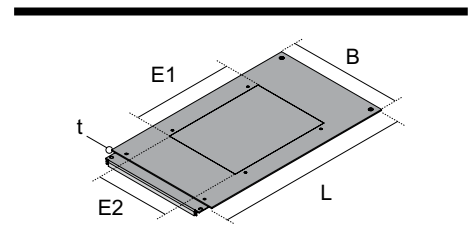
has accessories included:
 2 x **BSS 4.8x16** Countersunk sheet metal screw (Page A16, D51)



UEBSBMD 185V Assembly cover, dummy, square

Article number	W mm	L mm	E1 mm	E2 mm	t mm	Mounting boxes	G kg
S							
UEBSBMD-185V 30S	300	500	261	186	3	2	4.03
UEBSBMD-185V 40S	400	500	261	186	3	2	5.32

has accessories included:
 2 x **BSS 4.8x16** Countersunk sheet metal screw (Page A16, D51)



Screed-flush duct systems

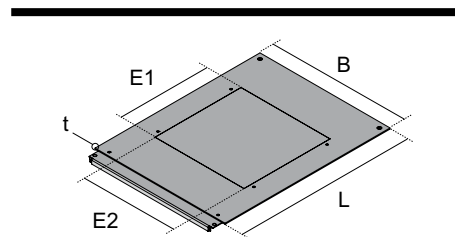
Screed-flush duct

UEBSBMD 260V Assembly cover, dummy, square

Article number	W mm	L mm	E1 mm	E2 mm	t mm	Mounting boxes	G kg
S							
UEBSBMD-260V 40S	400	500	261	261	3	3	5.32
UEBSBMD-260V 50S	500	500	261	261	3	3	6.67

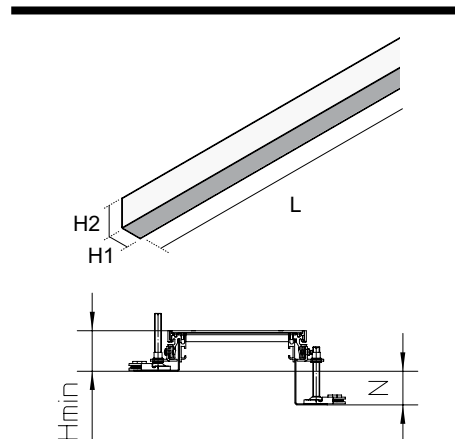
has accessories included:

2 x **BSS 4.8x16** Countersunk sheet metal screw (Page A16, D51)



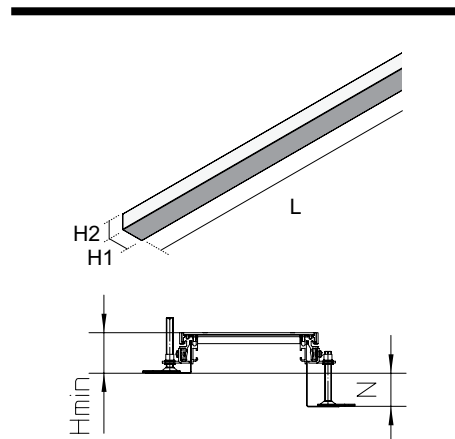
UEBSMSP Side walls, plastic

Article number	H1 mm	H2 mm	H _{min} mm	N mm	L mm	G kg
PA						
UEBSMSP 60	48	68	60	+50	2000	1.00
UEBSMSP 100	88	108	100	+50	2000	1.02



UEBSMSP S Side walls, sheet steel

Article number	H1 mm	H2 mm	H _{min} mm	N mm	L mm	G kg
S						
UEBSMSP 60S	48	68	60	+50	2000	1.35
UEBSMSP 100S	88	108	100	+50	2000	2.29
UEBSMSP 150S	88	138	150	+30	2000	2.65
UEBSMSP 180S	88	168	180	+30	2000	2.99



Screed-flush duct systems

Screed-flush duct

UEBSST Levelling support

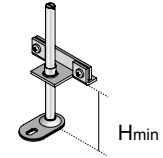
Article number	H _{min} mm	N mm	G kg
S			
UEBSST 80S	60	+ 50	0.17
UEBSST 150S	100	+ 50	0.18
UEBSST 220S	140	+ 100	0.19

has accessories included:

2 x LKS M5x10	Button head screw	(Page A16)
1 x UBDSL F	Levelling base	(Page A14, C38)
1 x UEBSV S	Connector	(Page A13)

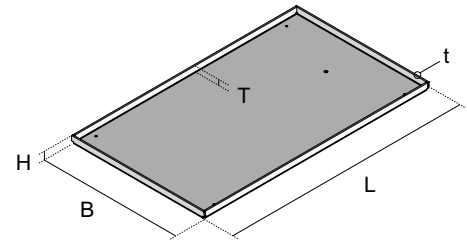
has optional accessories:

UGM SLF	Subsonic noise sleeve socket - levelling base	(Page A14, C38, C63)
----------------	---	----------------------



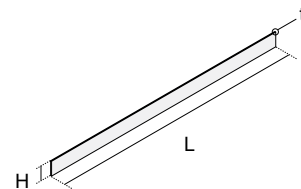
UEBSBD Dummy cartridge, square

Article number	H mm	W mm	L mm	t mm	D mm	G kg
E						
UEBSBD 15-20E	15	194	500	3	12	2.68
UEBSBD 15-30E	15	294	500	3	12	3.92
UEBSBD 15-40E	15	394	500	3	12	5.16
UEBSBD 15-50E	15	494	500	3	12	6.39
UEBSBD 25-20E	25	194	500	3	22	3.00
UEBSBD 25-30E	25	294	500	3	22	4.29
UEBSBD 25-40E	25	394	500	3	22	5.58
UEBSBD 25-50E	25	494	500	3	22	6.86



UEBSPT E Cartridge edging

Article number	H mm	L mm	t mm	G kg
E				
UEBSPT-15 E	26	2000	2	0.84
UEBSPT-25 E	36	2000	2	1.15



Screed-flush duct systems

Screed-flush duct | Mounting kit

UEBSMA Mounting kit, T-branch

Article number	G
	kg

S	
UEBSMA 20S	0.34

has accessories included:

1 x UEBSQT 20S	Cross beam	(Page A15)
2 x UEBSVE S	Corner connector	(Page A13)
2 x UEBSV	Corner connector	(Page A13)

Article number	G
	kg

S	
UEBSMA 30S	0.45

has accessories included:

1 x UEBSQT 30S	Cross beam	(Page A15)
2 x UEBSVE S	Corner connector	(Page A13)
2 x UEBSV	Corner connector	(Page A13)

Article number	G
	kg

S	
UEBSMA 40S	0.56

has accessories included:

1 x UEBSQT 40S	Cross beam	(Page A15)
2 x UEBSVE S	Corner connector	(Page A13)
2 x UEBSV	Corner connector	(Page A13)

Article number	G
	kg

S	
UEBSMA 50S	0.73

has accessories included:

1 x UEBSQT 50S	Cross beam	(Page A13)
2 x UEBSVE S	Corner connector	(Page A13)
2 x UEBSV	Corner connector	(Page A13)

UEBSMB Mounting kit, 90° elbow

Article number	G
	kg

S	
UEBSMB 20S	0.34

has accessories included:

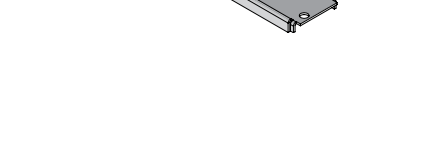
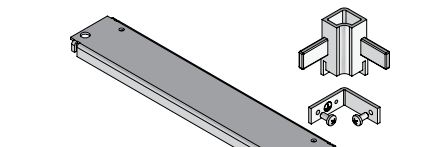
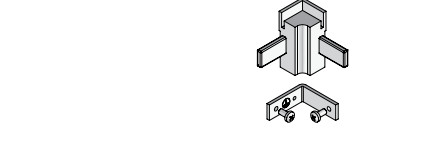
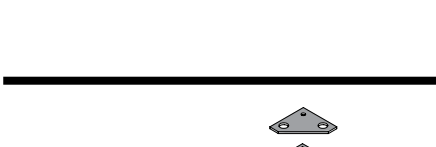
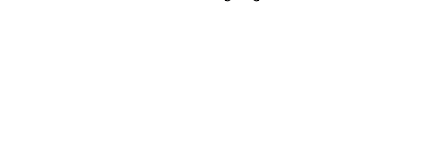
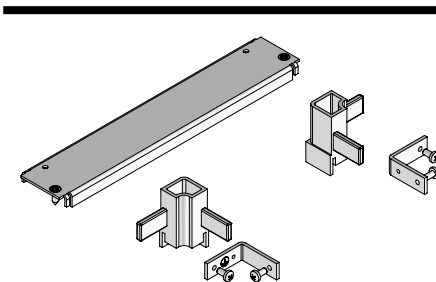
1 x UEBSVMB S	Corner connector plate	(Page A13)
1 x UEBSQT 20S	Cross beam	(Page A15)
2 x UEBSVE S	Corner connector	(Page A13)
2 x UEBSV	Corner connector	(Page A13)

Article number	G
	kg

S	
UEBSMB 30S	0.45

has accessories included:

1 x UEBSVMB S	Corner connector plate	(Page A13)
1 x UEBSQT 30S	Cross beam	(Page A15)
2 x UEBSVE S	Corner connector	(Page A13)
2 x UEBSV	Corner connector	(Page A13)



Screed-flush duct systems

Screed-flush duct | Mounting kit

UEBSMB Mounting kit, 90° elbow

Article number	G
	kg
S	
UEBSMB 40S	0.56

has accessories included:

1 x UEBSQT 40S	Cross beam	(Page A21)
1 x UEBSVMB S	Corner connector	(Page A13)
2 x UEBSVE S	plate	(Page A13)
2 x UEBSV	Corner connector	(Page A13)

Article number	G
	kg
S	
UEBSMB 50S	0.73

has accessories included:

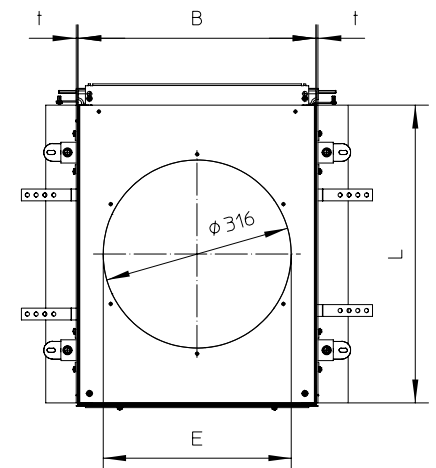
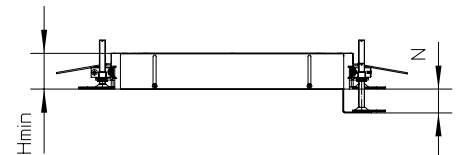
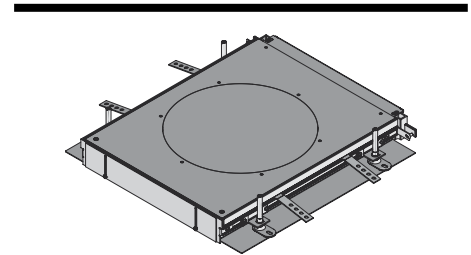
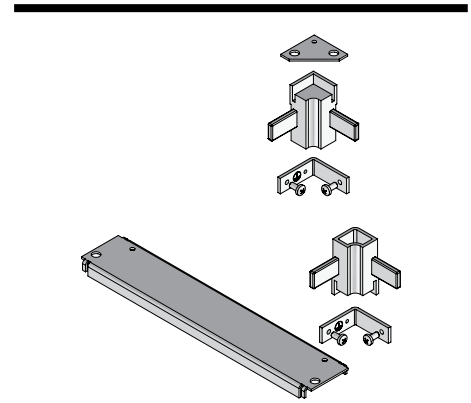
1 x UEBSQT 50S	Cross beam	(Page A21)
1 x UEBSVMB S	Corner connector	(Page A13)
2 x UEBSVE S	plate	(Page A13)
2 x UEBSV	Corner connector	(Page A13)

UEBSAM60 R Add-on unit for screed-flush duct

Article number	H _{min}	N	W	L	E	t	G
	mm	mm	mm	mm	mm	mm	kg
S							
UEBSAM60-307R 40S	60	+50	400	500	307	3	9.01

has accessories included:

2 x UEBSVE S	Corner connector	(Page A13)
4 x UEBSST 80S	Levelling support	(Page A07)
2 x UEBSPT-3 AL	Carpet edge with abutting edge	(Page A15)
1 x UEBSES 60-40S	0/3 mm End piece	(Page A11)
4 x UEBSEA	Screed anchor	(Page A15)
1 x UEBSBMD-307R 40S	Assembly cover, dummy, round	(Page A06)
2 x UEBSMSP 60	Side walls, plastic	(Page A07)
2 x UEBSV-50	Corner connector	(Page A13)



Screed-flush duct systems

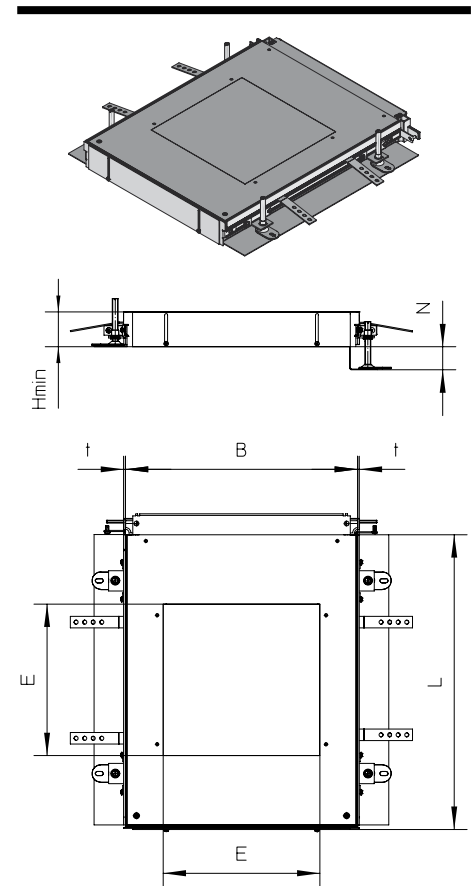
Screed-flush duct | Mounting kit

UEBSAM60 V Add-on unit for screed-flush duct

Article number	H _{min} mm	N mm	W mm	L mm	E mm	t mm	G kg
S							
UEBSAM60-260V 40S	60	+ 50	400	500	261x261	3	9.10

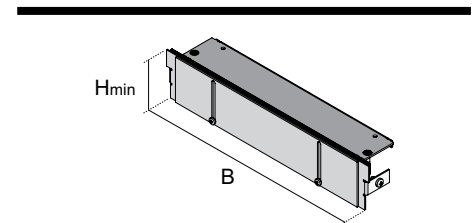
has accessories included:

2 x UEBSVE S	Corner connector	(Page A13)
4 x UEBSST 80S	Levelling support	(Page A07)
2 x UEBSPT-3 AL	Carpet edge with abutting edge 0/3 mm	(Page A15)
1 x UEBSES 60-40S	End piece	(Page A11)
4 x UEBSEA	Screed anchor	(Page A15)
1 x UEBSBMD-260V 40S	Assembly cover, dummy, square	(Page A07)
2 x UEBSMSP 60	Side walls, plastic	(Page A07)
2 x UEBSV-50	Corner connector	(Page A13)



UEBSES End piece

Article number	H _{min} mm	N mm	W mm	G kg
S				
UEBSES 60-20S	60	+ 50	200	0.53
UEBSES 60-30S	60	+ 50	300	0.92
UEBSES 60-40S	60	+ 50	400	1.11
UEBSES 60-50S	60	+ 50	500	1.66
UEBSES 100-20S	100	+ 50	200	0.64
UEBSES 100-30S	100	+ 50	300	0.99
UEBSES 100-40S	100	+ 50	400	1.34
UEBSES 100-50S	100	+ 50	500	1.96

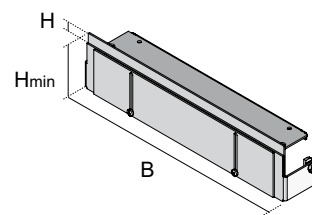


Screed-flush duct systems

Screed-flush duct | Mounting kit

UEBSESK End piece, cartridge

Article number	H mm	H _{min} mm	N mm	W mm	G kg
S					
UEBSESK15 60-20S	12	60	+ 50	200	0.57
UEBSESK15 60-30S	12	60	+ 50	300	0.88
UEBSESK15 60-40S	12	60	+ 50	400	1.18
UEBSESK15 60-50S	12	60	+ 50	500	1.38
UEBSESK15 100-20S	12	100	+ 50	200	0.68
UEBSESK15 100-30S	12	100	+ 50	300	1.05
UEBSESK15 100-40S	12	100	+ 50	400	1.42
UEBSESK15 100-50S	12	100	+ 50	500	1.68
UEBSESK25 60-20S	22	60	+ 50	200	0.60
UEBSESK25 60-30S	22	60	+ 50	300	0.93
UEBSESK25 60-40S	22	60	+ 50	400	1.25
UEBSESK25 60-50S	22	60	+ 50	500	1.46
UEBSESK25 100-20S	22	100	+ 50	200	0.71
UEBSESK25 100-30S	22	100	+ 50	300	1.21
UEBSESK25 100-40S	22	100	+ 50	400	1.49
UEBSESK25 100-50S	22	100	+ 50	500	1.76

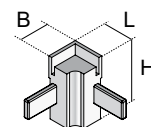


Screed-flush duct systems

Screed-flush duct | Accessories

UEBSV Corner connector

Article number	H mm	W mm	L mm	G kg
PA				
UEBSV	57	28	28	0.03
UEBSV-50	50	28	28	0.02

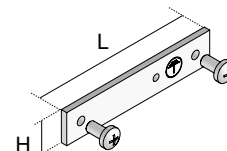


UEBSV S Connector

Article number	H mm	L mm	G kg
S			
UEBSV S	16	70	0.027

has accessories included:

2 x **LKS M5x10** Button head screw (Page A16)

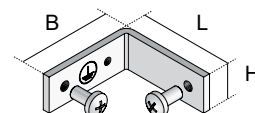


UEBSVE S Corner connector

Article number	H mm	W mm	L mm	G kg
S				
UEBSVE S	16	43	43	0.04

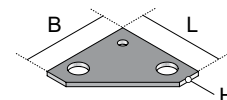
has accessories included:

2 x **LKS M5x10** Button head screw (Page A16)



UEBSVMB S Corner connector plate

Article number	H mm	W mm	L mm	G kg
S				
UEBSVMB S	2	40	40	0.02



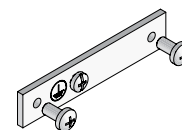
UEBSE Earth connector

Article number	G kg
S	
UEBSE	0.04

has accessories included:

2 x **LKS M5x10** Button head screw (Page A16)

1 x **LKS M4x5** Button head screw (Page A16)



UEBSEL Earthing lug set

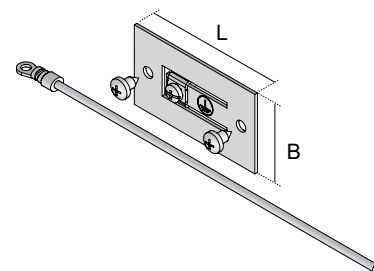
Article number	W mm	L mm	G kg
S			
UEBSEL	40	70	0.05

has accessories included:

2 x **BLS 4.8x9.5** Sheet metal screw (Page D51)

1 x **LKS M4x12** Button head screw (Page A16)

1 x **UVA-GB-2.5-30** Earth wire (Page C36)

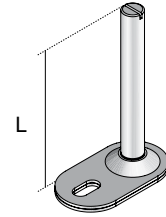


Screed-flush duct systems

Screed-flush duct | Accessories

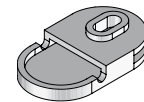
UBDSLFL Levelling base

Article number	L mm	G kg
S		
UBDSLFL 60	60	0.07
UBDSLFL 80	80	0.07
UBDSLFL 150	150	0.09
UBDSLFL 220	220	0.10



UGM SLF Subsonic noise sleeve socket - levelling base

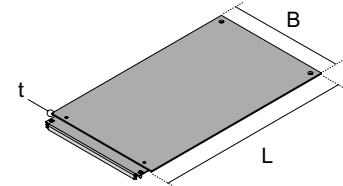
Article number	G kg
TPS/TPE	
UGM-SLF	0.01



UEBSD Dummy cover

Article number	W mm	L mm	t mm	G kg
S				
UEBSD 20S	200	500	3	2.48

has accessories included:
1 x **UEBSQT 20S** Cross beam (Page A15)



Article number	W mm	L mm	t mm	G kg
S				
UEBSD 30S	300	500	3	3.76

has accessories included:
1 x **UEBSQT 30S** Cross beam (Page A15)

Article number	W mm	L mm	t mm	G kg
S				
UEBSD 40S	400	500	3	5.05

has accessories included:
1 x **UEBSQT 40S** Cross beam (Page A15)

Article number	W mm	L mm	t mm	G kg
S				
UEBSD 50S	500	500	3	6.40

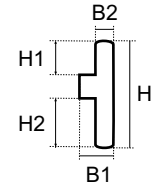
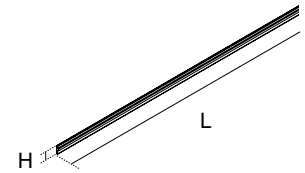
has accessories included:
2 x **UEBSQT 50S** Cross beam (Page A15)

Screed-flush duct systems

Screed-flush duct | Accessories

UEBSPT 3 Carpet edge with abutting edge 0/3 mm

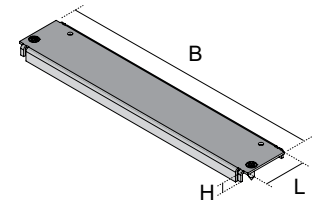
Article number	H mm	H1 mm	H2 mm	B1 mm	B2 mm	L mm	G kg
AL							
UEBSPT-3 AL	14	4	7	4.25	2.4	2000	0.04



UEBSQT Cross beam

Article number	H mm	W mm	L mm	G kg
S				
UEBSQT 20S	13	200	51	0.19
UEBSQT 30S	13	300	51	0.31

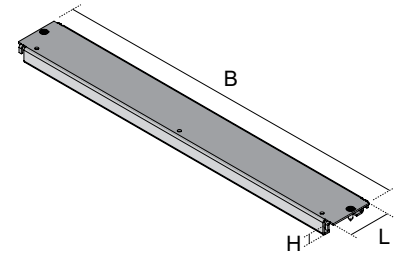
has accessories included:
 2 x **BSS 4.8x16** Countersunk sheet metal screw (Page A16, D51)



UEBSQT S Cross beam

Article number	H mm	W mm	L mm	G kg
S				
UEBSQT 40S	20	400	61	0.42
UEBSQT 50S	20	500	61	0.59

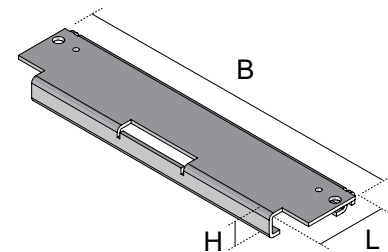
has accessories included:
 2 x **BSS 4.8x16** Countersunk sheet metal screw (Page A16, D51)



UEBSQTF S Cross beam

Article number	H mm	W mm	L mm	G kg
S				
UEBSQTF 30S	20	300	61	0.61
UEBSQTF 40S	20	400	61	0.86
UEBSQTF 50S	20	500	61	1.11

has accessories included:
 2 x **BSS 4.8x16** Countersunk sheet metal screw (Page A16, D51)

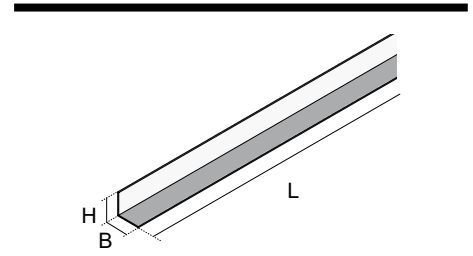


Screed-flush duct systems

Screed-flush duct | Accessories

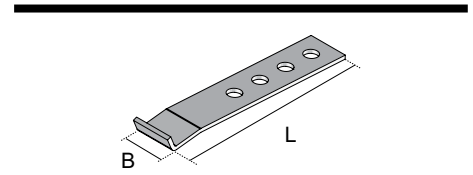
UEBSTR Separating strip

Article number	H mm	W mm	L mm	G kg
PA				
UEBSTR 40	40	40	2000	0.50



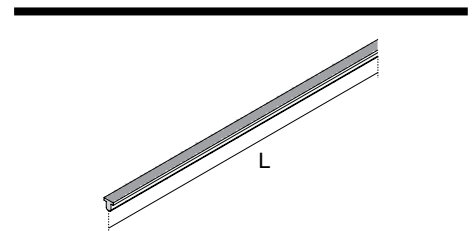
UEBSEA Screed anchor

Article number	W mm	L mm	G kg
S			
UEBSEA	20	104	0.02



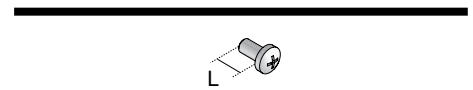
UEBSPGD Rubber seal

Article number	L mm	G kg
G		
UEBSPGD	2000	0.21



LKS Button head screw

Article number	L mm	G kg/100
GV		
LKS M4x5	5	0.01
LKS M4x12	12	0.01
LKS M5x10	10	0.01



BSS Countersunk sheet metal screw

Article number	L mm	G kg/100
GV		
BSS 4.8x16	16	0.3



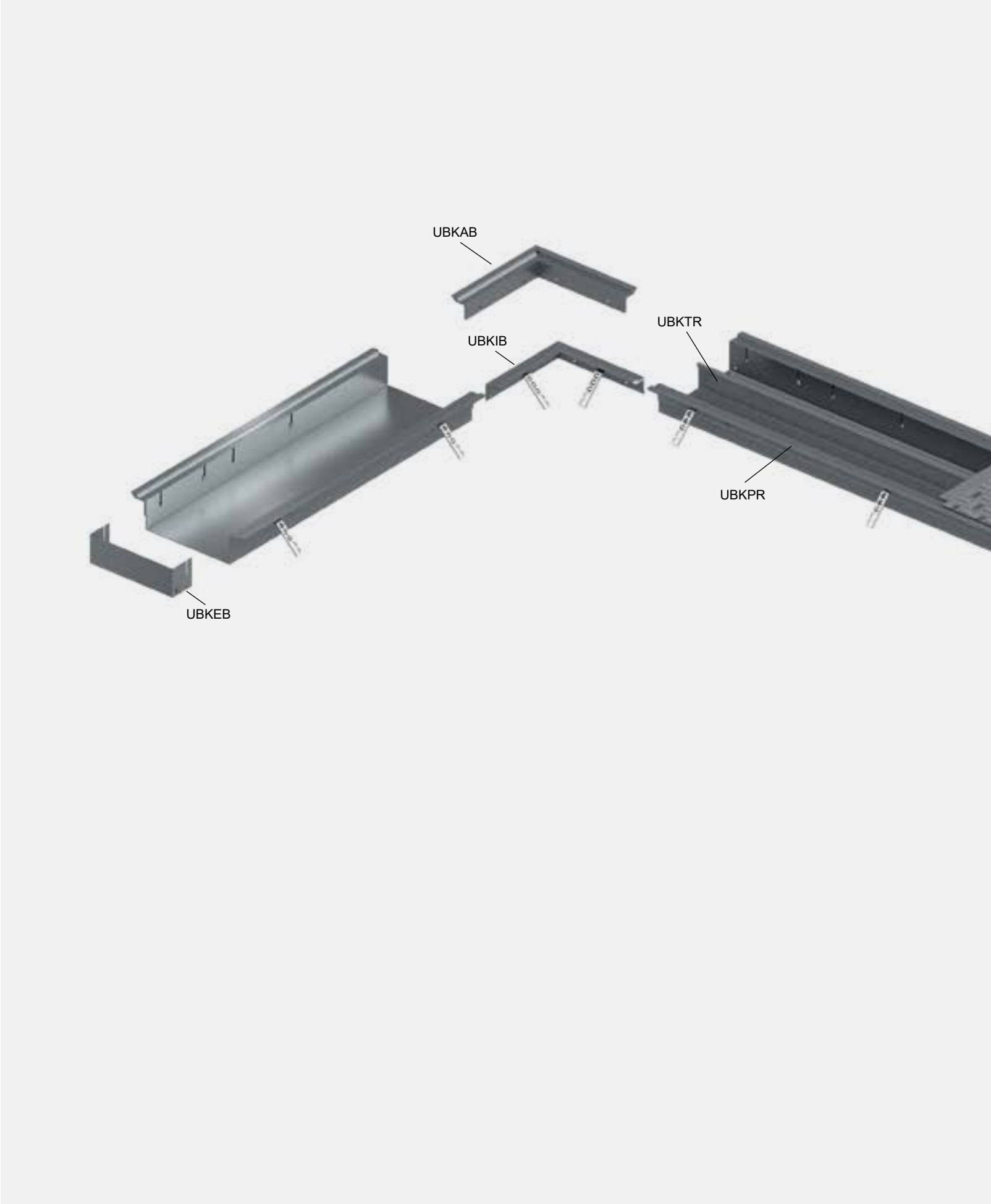


A



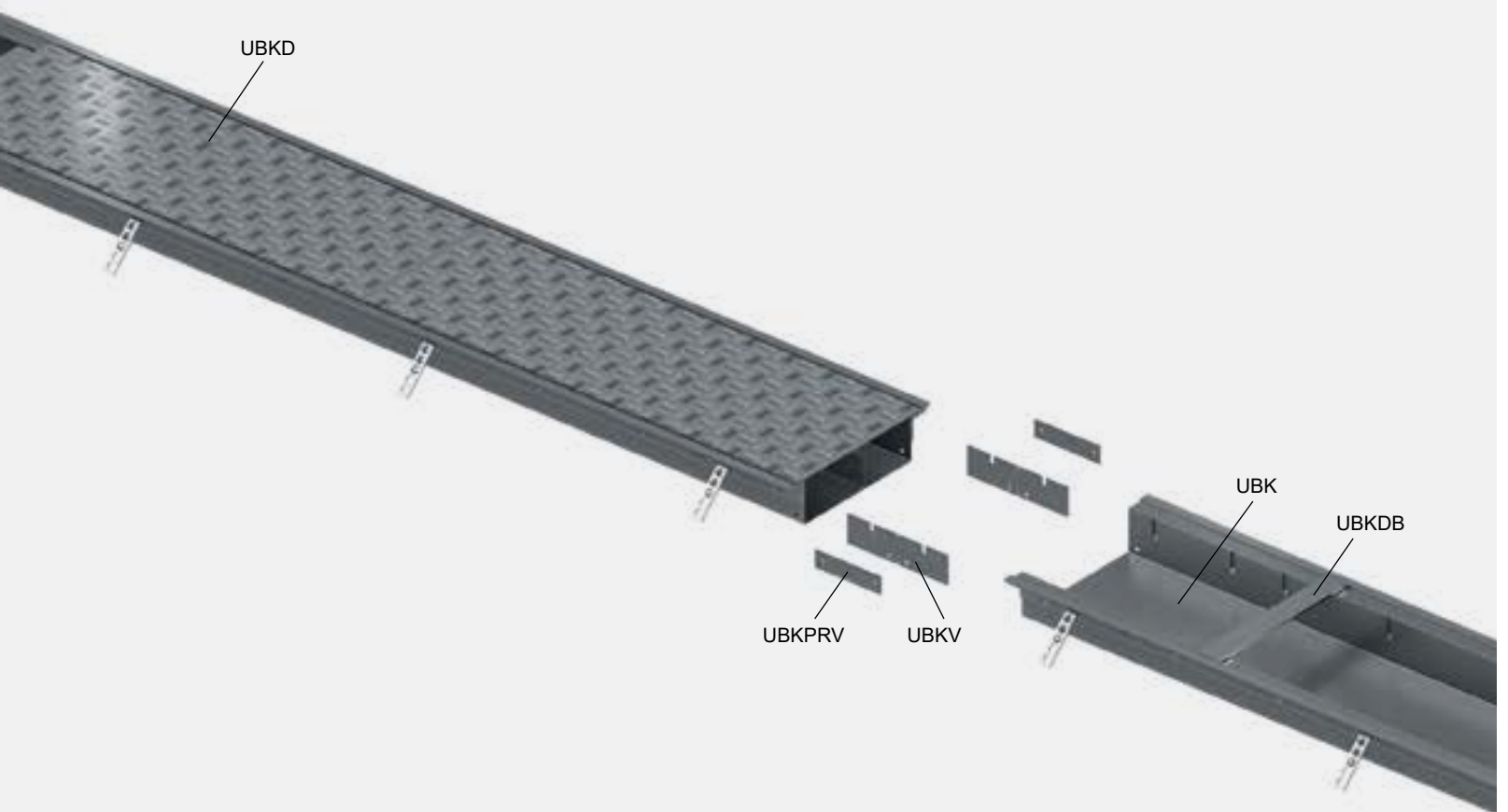
Screed-flush duct systems

Heavy-duty underfloor duct | System overview



Screed-flush duct systems

Heavy-duty underfloor duct | System overview



A

Screed-flush duct systems

Heavy-duty underfloor duct

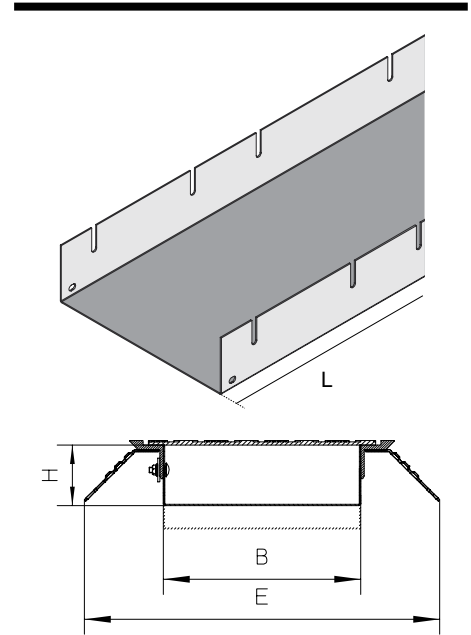
UBK Base

The screed-flush heavy-duty duct consists of the following individual components: 1x heavy-duty duct base UBK, 3x heavy-duty dummy covers UBKD, 2x side profiles UBKPR with corresponding assembly and connection materials.

Article number	H mm	W mm	L mm	E mm	G kg
S					
UBK 100-20S	90	194	3000	450	17.20
UBK 100-30S	90	294	3000	550	21.90
UBK 100-40S	90	394	3000	650	26.90
UBK 135-20S	125	194	3000	450	18.80
UBK 135-30S	125	294	3000	550	25.20
UBK 135-40S	125	394	3000	650	30.00
UBK 170-20S	160	194	3000	450	23.80
UBK 170-30S	160	294	3000	550	28.50
UBK 170-40S	160	394	3000	650	33.30

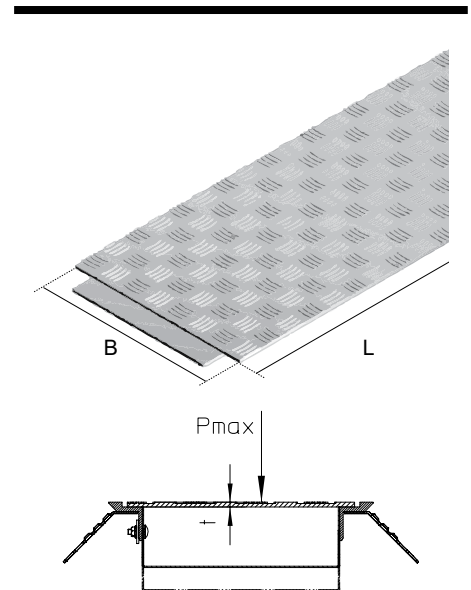
has optional accessories:

UBKV	Connector	(Page A21)
UBKDB	Spacer	(Page A21)
SNA	Nail anchor	(Page B20)
UBKD	Dummy	(Page A18)
UBKPR	cover Side profile	(Page A19)



UBKD Dummy cover

Article number	W mm	L mm	t mm	P _{max} kN	G kg
F					
UBKD5 25F	238	1000	5	5	9.80
UBKD5 35F	338	1000	5	5	13.70
UBKD5 45F	438	1000	5	5	17.70
UBKD8 25F	250	1000	8	15	15.70
UBKD8 35F	350	1000	8	15	22.00
UBKD8 45F	450	1000	8	15	28.30
UBKD10 25F	250	1000	10	25	19.70
UBKD10 35F	350	1000	10	25	27.50
UBKD10 45F	450	1000	10	25	35.40



Screed-flush duct systems

Heavy-duty underfloor duct

UBKPR Side profile

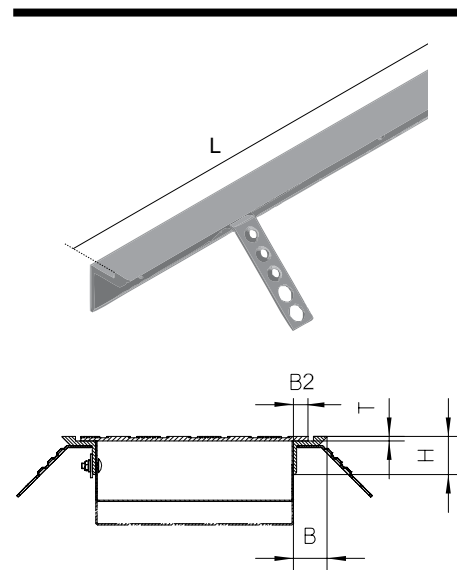
Article number	H mm	W mm	B2 mm	L mm	D mm	G kg
F						
UBKPR5F	45	40	24	3000	5	10.80
UBKPR8F	57	50	30	3000	7	14.60
UBKPR10F	60	50	30	3000	10	18.30

has accessories included:

5 x FRS 8x25	Round-head bolt with square, DIN 603	(Cable tray catalogue)
5 x SEMS 8	Nut with flange, DIN EN 1661	(Cable tray catalogue)
1 x UBKPRV	Connector	(Page A21)

has optional accessories:

UGD 20	Rubber strip	(Page C37)
---------------	--------------	------------



A

Screed-flush duct systems

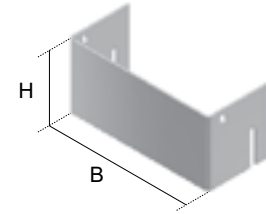
Heavy-duty underfloor duct | Shaped parts

UBKEB End piece

Article number	H mm	W mm	G kg
S			
UBKEB 100-20S	86	188	0.40
UBKEB 100-30S	86	288	0.60
UBKEB 100-40S	86	388	0.70
UBKEB 135-20S	121	188	0.60
UBKEB 135-30S	121	288	0.80
UBKEB 135-40S	121	388	1.00
UBKEB 170-20S	156	188	0.80
UBKEB 170-30S	156	288	1.10
UBKEB 170-40S	156	388	1.30

has optional accessories:

KLS Clamp fastening set (Cable tray catalogue)



UBKIB Profile inside bend

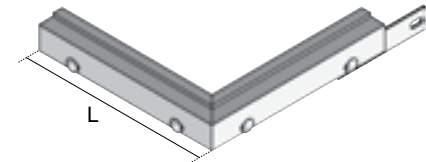
Article number	L mm	G kg
F		
UBKIB5F	300	2.50
UBKIB8F	300	3.00
UBKIB10F	300	3.60

has accessories included:

1 x **UBKPRV** Connector (Page A21)
 4 x **FRS 8x25** Round-head bolt with square, DIN 603 (Cable tray catalogue)
 4 x **SEMS 8** Nut with flange, DIN EN 1661 (Cable tray catalogue)

has optional accessories:

UBKV Connector (Page A21)



UBKAB Profile outside bend

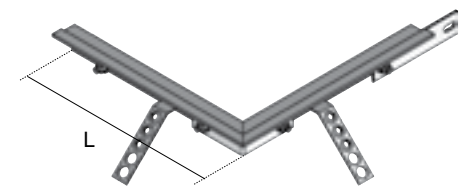
Article number	L mm	G kg
F		
UBKAB5F	340	2.50
UBKAB8F	350	3.10
UBKAB10F	350	4.20

has accessories included:

1 x **UBKPRV** Connector (Page A21)
 1 x **UBKPRVE** Connector (Page A21)
 4 x **SEMS 8** Nut with flange, DIN EN 1661 (Cable tray catalogue)
 4 x **FRS 8x25** Round-head bolt with square, DIN 603 (Cable tray catalogue)

has optional accessories:

UBKV Connector (Page A21)



Screed-flush duct systems

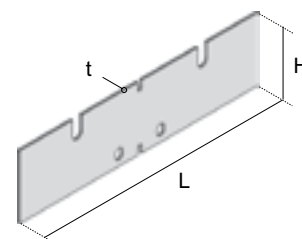
Heavy-duty underfloor duct | Accessories

UBKVV Connector

Article number	H mm	L mm	t mm	G kg
S				
UBKVV100S	60	230	2	0.21
UBKVV135S	95	230	2	0.34
UBKVV170S	130	230	2	0.46

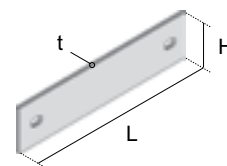
has accessories included:

2 x **FRS 8x25** Round-head bolt with square, DIN 603 (Cable tray catalogue)
 2 x **SEMS 8** Nut with flange, DIN EN 1661 (Cable tray catalogue)



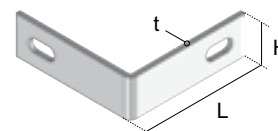
UBKPRV Connector

Article number	H mm	L mm	t mm	G kg
S				
UBKPRV	35	150	3	0.16



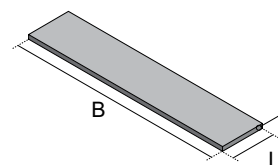
UBKPRVE Connector

Article number	H mm	L mm	t mm	G kg
S				
UBKPRVE	30	90	3	0.20



UBKDB Spacer

Article number	W mm	L mm	t mm	G kg
F				
UBKDB5 25	242	60	4	0.25
UBKDB5 35	342	60	4	0.35
UBKDB5 45	442	60	4	0.45
UBKDB8 25	254	60	4	0.27
UBKDB8 35	354	60	4	0.37
UBKDB8 45	454	60	4	0.57

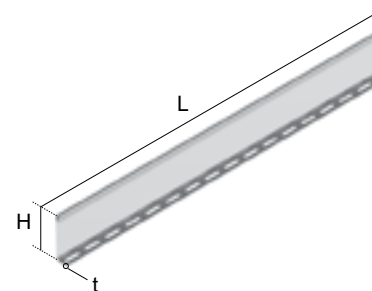


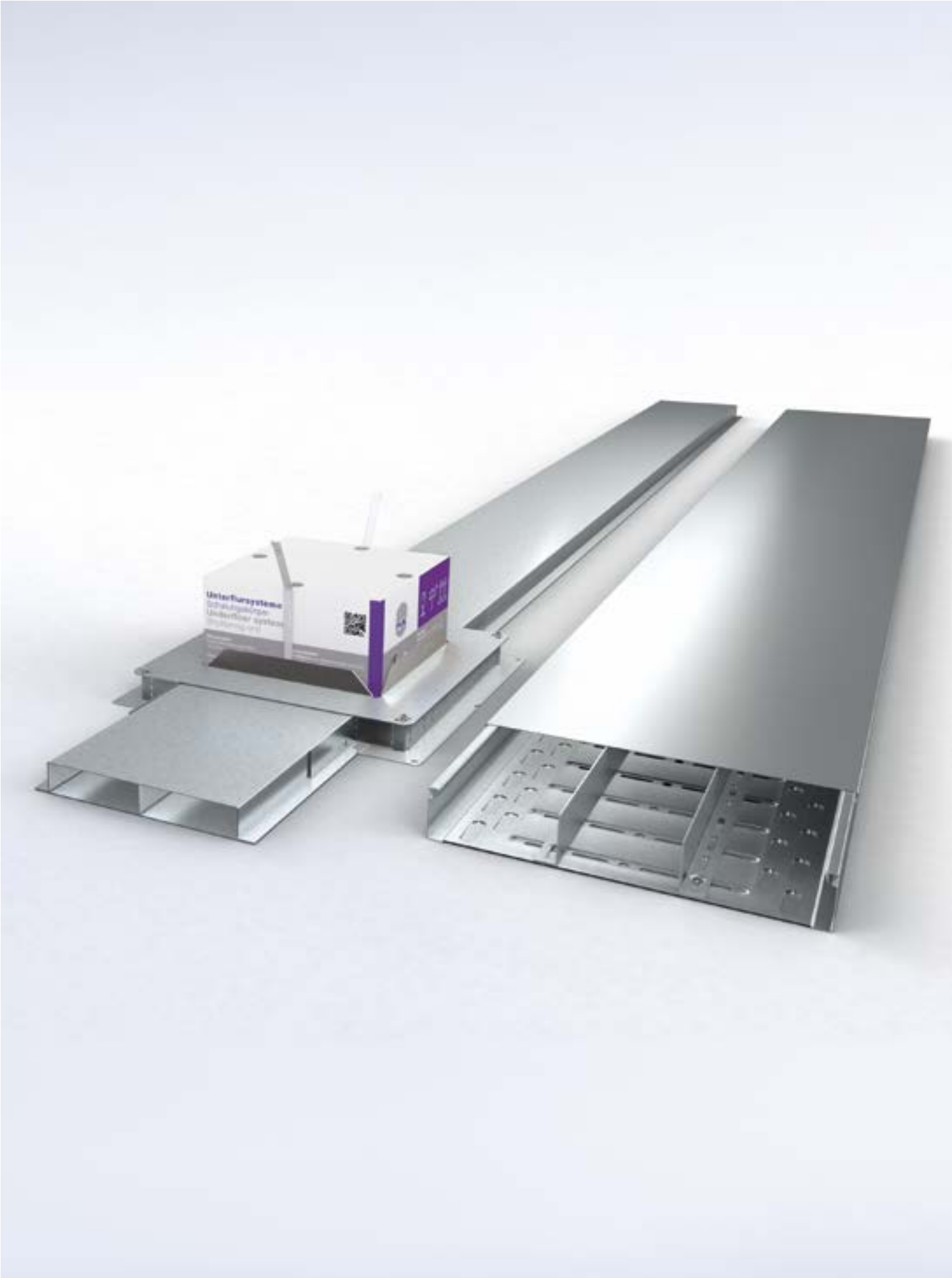
UBKTR Separating strip

Article number	H mm	L mm	t mm	G kg
S				
UBKTR 100S	80	3000	1	6.30
UBKTR 135S	115	3000	1	8.20
UBKTR 170S	150	3000	1	10.10

has optional accessories:

SNA Nail anchor (Page B20)





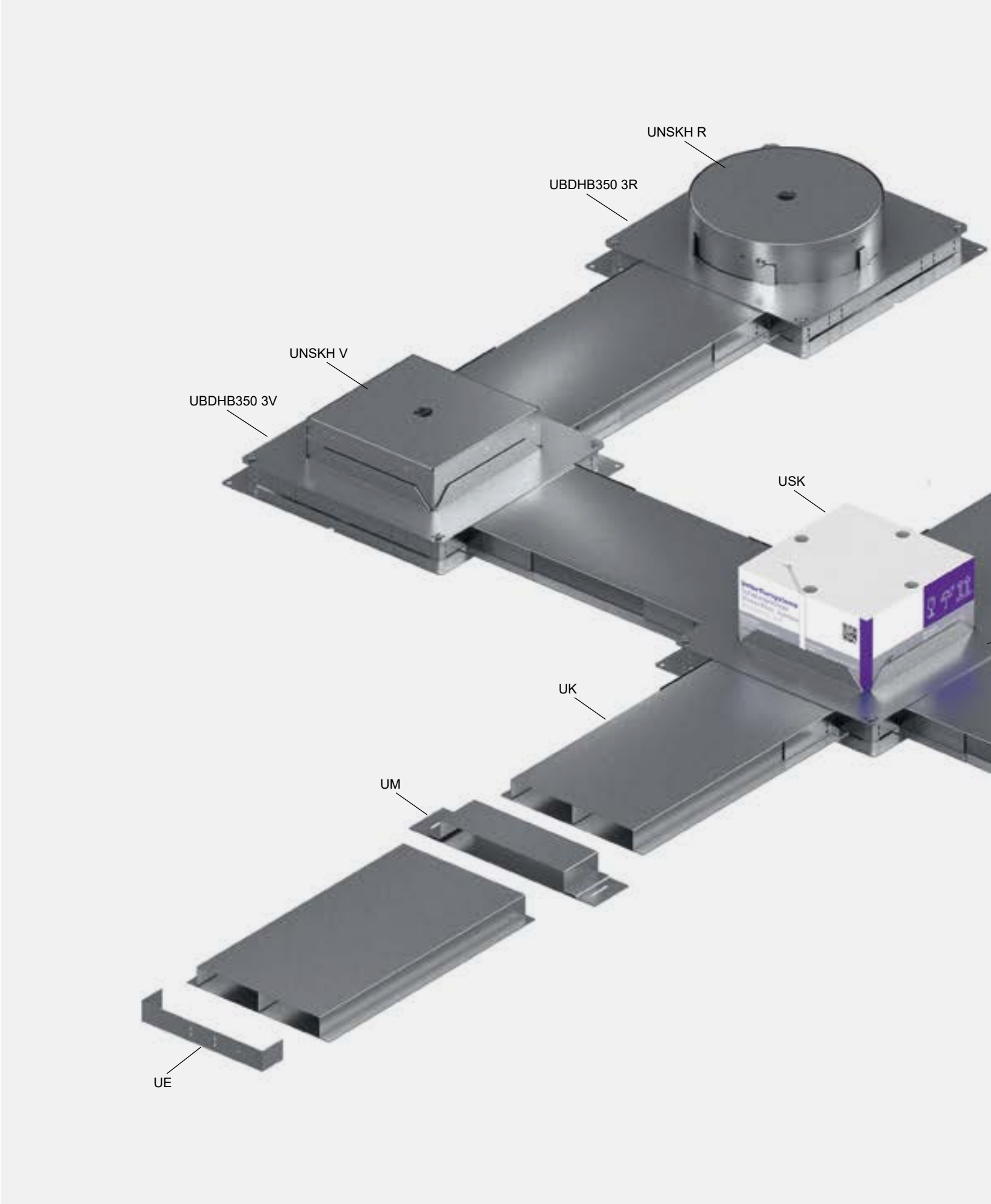
Screed-covered duct systems

Underfloor duct system System overview	B02
Underfloor duct system Ducts	B04
Underfloor duct system False floor sockets	B07
Underfloor duct system Fire protection	B11
Cable duct system System overview	B12
Cable duct system Ducts	B14
Cable duct system Cover	B15
Cable duct system Accessories	B17
Shuttering unit	B18
Accessories	B20



Screed-covered duct systems

Underfloor duct system | System overview



Screed-covered duct systems

Underfloor duct system | System overview



B

Screed-covered duct systems

Underfloor duct system | Ducts

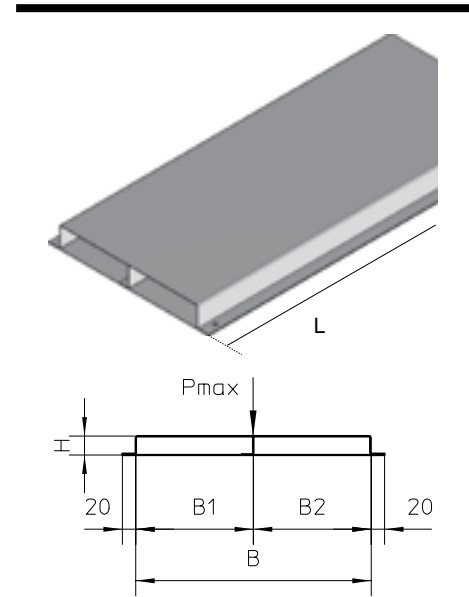
UK Screed-covered duct, two sections

Screed-covered two-section duct, top and base firmly connected.

Article number	H mm	W mm	B1 mm	B2 mm	L mm	P _{max} kN	G kg
S							
UK 2-28-190S	28	190	95	95	3000	0.75	15.50
UK 2-28-250S	28	250	125	125	3000	0.75	19.00
UK 2-28-350S	28	350	175	175	3000	0.75	24.70
UK 2-38-190S	38	190	95	95	3000	0.75	16.50
UK 2-38-250S	38	250	125	125	3000	0.75	19.80
UK 2-38-350S	38	350	175	175	3000	0.75	25.50
UK 2-48-190S	48	190	95	95	3000	0.75	17.30
UK 2-48-250S	48	250	125	125	3000	0.75	20.70
UK 2-48-350S	48	350	175	175	3000	0.75	26.80

has optional accessories:

UB	Mounting bracket	(Page B05)
UGKB	Duct tape	(Page B20)
UN	Nail anchor	(Page B20)



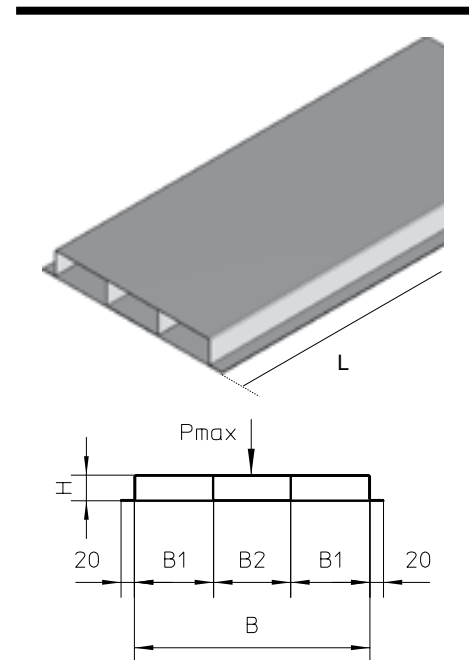
UKL Screed-covered duct, three sections

Screed-covered three-section duct, top and base firmly connected.

Article number	H mm	W mm	B1 mm	B2 mm	L mm	P _{max} kN	G kg
S							
UKL 3-28-250S	28	250	82	84	3000	0.75	17.90
UKL 3-28-350S	28	350	116	116	3000	0.75	23.30
UKL 3-38-250S	38	250	82	84	3000	0.75	18.70
UKL 3-38-350S	38	350	116	116	3000	0.75	24.20
UKL 3-48-250S	48	250	82	84	3000	0.75	19.70
UKL 3-48-350S	48	350	116	116	3000	0.75	25.10

has optional accessories:

UB	Mounting bracket	(Page B05)
UGKB	Duct tape	(Page B20)
UN	Nail anchor	(Page B20)



Screed-covered duct systems

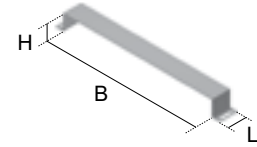
Underfloor duct system | Ducts

UB Mounting bracket

Article number	H mm	W mm	L mm	G kg
S				
UB 28-190S	28	194	42	0.09
UB 28-250S	28	254	42	0.11
UB 28-350S	28	354	42	0.14
UB 38-190S	38	194	42	0.10
UB 38-250S	38	254	42	0.12
UB 38-350S	38	354	42	0.15
UB 48-190S	48	194	42	0.10
UB 48-250S	48	254	42	0.12
UB 48-350S	48	354	42	0.16

has optional accessories:

UN Nail anchor (Page B20)



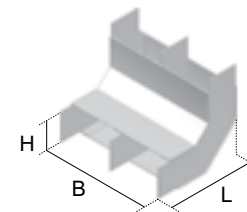
UVB 2 Vertical bend, two sections

Article number	H mm	W mm	L mm	G kg
S				
UVB 2-28-190S	29	186	132	1.16
UVB 2-28-250S	29	246	132	1.39
UVB 2-28-350S	29	346	132	1.95
UVB 2-38-190S	39	186	132	1.31
UVB 2-38-250S	39	246	132	1.50
UVB 2-38-350S	39	346	132	2.05
UVB 2-48-190S	49	186	132	1.46
UVB 2-48-250S	49	246	132	1.75
UVB 2-48-350S	49	346	132	2.20

has optional accessories:

UB Mounting bracket (Page B05)

UN Nail anchor (Page B20)



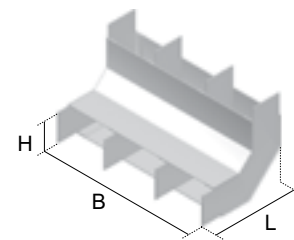
UVB 3 Vertical bend, three sections

Article number	H mm	W mm	L mm	G kg
S				
UVB 3-28-250S	29	246	132	1.55
UVB 3-28-350S	29	346	132	2.20
UVB 3-38-250S	39	246	132	1.70
UVB 3-38-350S	39	346	132	2.40
UVB 3-48-250S	49	246	132	1.95
UVB 3-48-350S	49	346	132	2.60

has optional accessories:

UB Mounting bracket (Page B05)

UN Nail anchor (Page B20)



B

Screed-covered duct systems

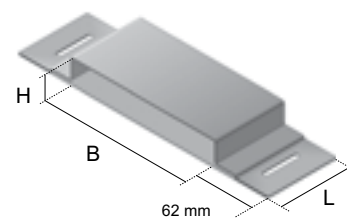
Underfloor duct system | Ducts

UM Mounting sleeve

Article number	H mm	W mm	L mm	G kg
S				
UM 28-190S	28	194	82	0.55
UM 28-250S	28	254	82	0.64
UM 28-350S	28	354	82	0.80
UM 38-190S	38	194	82	0.56
UM 38-250S	38	254	82	0.66
UM 38-350S	38	354	82	0.82
UM 48-190S	48	194	82	0.58
UM 48-250S	48	254	82	0.68
UM 48-350S	48	354	82	0.84

has optional accessories:

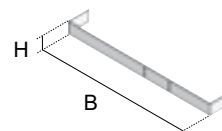
UN Nail anchor (Page B20)



UE End piece

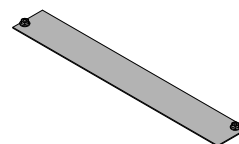
Suitable for W = 190, 250 and 350 mm.

Article number	H mm	W mm	G kg
S			
UE 28-350S	26	347	0.14
UE 38-350S	36	347	0.17
UE 48-350S	46	347	0.20



UBM Bitumen sleeve

Article number	L mm	W mm	G kg
S			
UBM 190S	230	42	0.08
UBM 250S	290	42	0.10
UBM 350S	390	42	0.14



Screed-covered duct systems

Underfloor duct system | False floor sockets

UBDHB350 3V False floor socket, 3x, square

False floor socket with an installation opening of 262x262 mm for square installation units.

Article number	H mm	H _{min} mm	B1 mm	B2 mm	L1 mm	L2 mm	E mm	Mounting boxes	G kg
S									
UBDHB350 28-259V	31	67	410	450	410	450	262 x 262	3	3.90
UBDHB350 38-259V	41	77	410	450	410	450	262 x 262	3	4.00
UBDHB350 48-259V	51	87	410	450	410	450	262 x 262	3	4.10

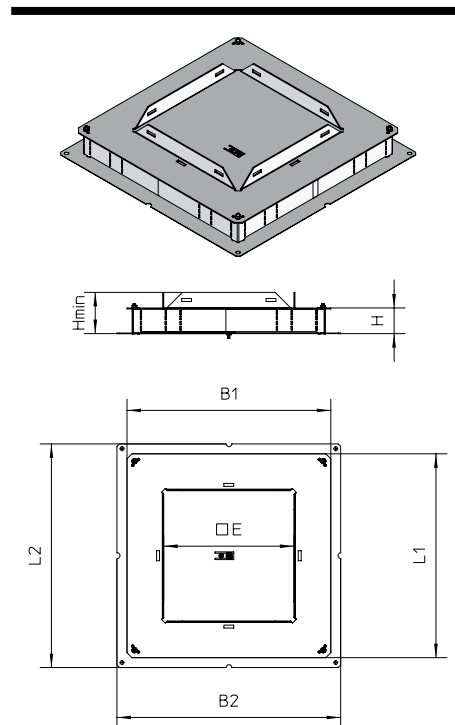
has accessories included:

1 x **UBDHB-Z** Earthing clamp (Page B21)

has optional accessories:

USK Shuttering unit, square (Page B18)

UN Nail anchor (Page B20)



UBDHB350 3R False floor socket, 3x, round

False floor socket with an installation opening of 310 mm for round installation units.

Article number	H mm	H _{min} mm	B1 mm	B2 mm	L1 mm	L2 mm	E mm	Mounting boxes	G kg
S									
UBDHB350 28-308R	31	67	410	450	410	450	310	3	3.40
UBDHB350 38-308R	41	77	410	450	410	450	310	3	3.50
UBDHB350 48-308R	51	87	410	450	410	450	310	3	3.60

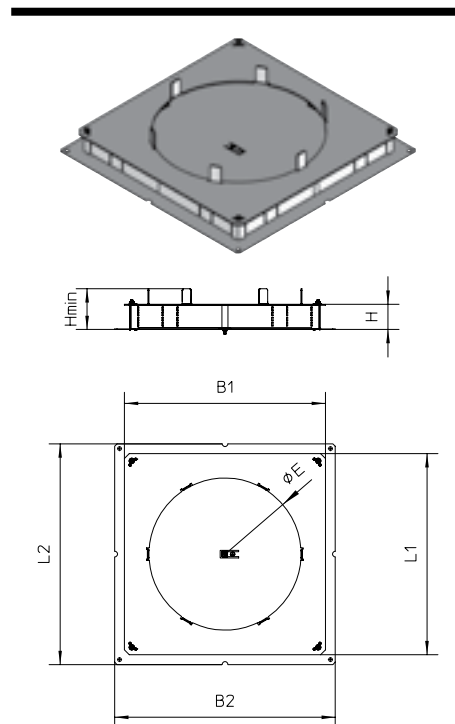
has accessories included:

1 x **UBDHB-Z** Earthing clamp (Page B21)

has optional accessories:

USR Shuttering pipe, round (Page B18)

UN Nail anchor (Page B20)



Screed-covered duct systems

Underfloor duct system | False floor sockets

UBDHB350 2R False floor socket, 2x, round

False floor socket with an installation opening of 260 mm for round installation units.

Article number	H mm	H _{min} mm	B1 mm	B2 mm	L2 mm	E mm	Mounting boxes	G kg
S								
UBDHB350 28-259R	31	63	410	450	450	260	2	3.80
UBDHB350 38-259R	41	73	410	450	450	260	2	3.90
UBDHB350 48-259R	51	83	410	450	450	260	2	4.00

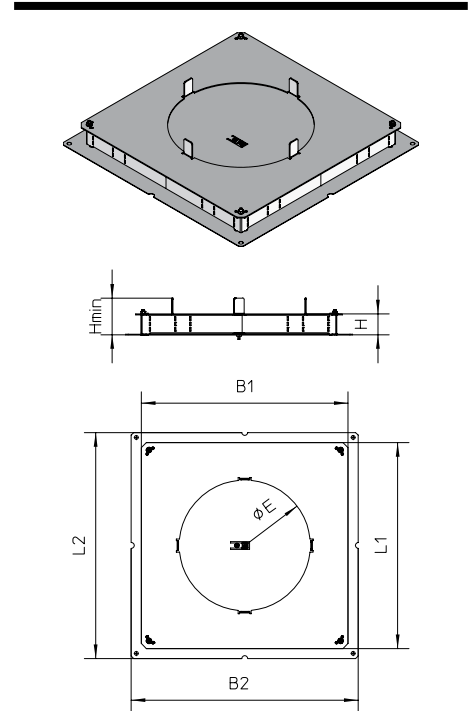
has accessories included:

1 x **UBDHB-Z** Earthing clamp (Page B21)

has optional accessories:

USR Shuttering pipe, (Page B18)

UN Nail anchor (Page B20)



UBDHB250 3V False floor socket, 3x, square

False floor socket with an installation opening of 262x262 mm for square installation units.

Article number	H mm	H _{min} mm	B1 mm	B2 mm	L2 mm	E mm	Mounting boxes	G kg
S								
UBDHB250 28-259V	31	67	385	400	400	262 x 262	3	3.30
UBDHB250 38-259V	41	77	385	400	400	262 x 262	3	3.40
UBDHB250 48-259V	51	87	385	400	400	262 x 262	3	3.50

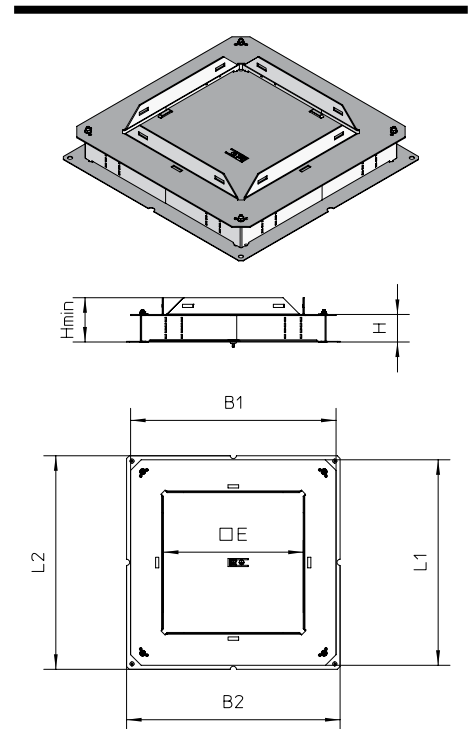
has accessories included:

1 x **UBDHB-Z** Earthing clamp (Page B21)

has optional accessories:

USK Shuttering unit, square (Page B18)

UN Nail anchor (Page B20)



Screed-covered duct systems

Underfloor duct system | False floor sockets

UBDHB250 2R False floor socket, 2x, round

False floor socket with an installation opening of 260 mm for round installation units.

Article number	H mm	H _{min} mm	B1 mm	B2 mm	L1 mm	L2 mm	E mm	Mounting boxes	G kg
S									
UBDHB250 28-259R	31	67	385	400	385	400	260	2	3.10
UBDHB250 38-259R	41	77	385	400	385	400	260	2	3.20
UBDHB250 48-259R	51	87	385	400	385	400	260	2	3.30

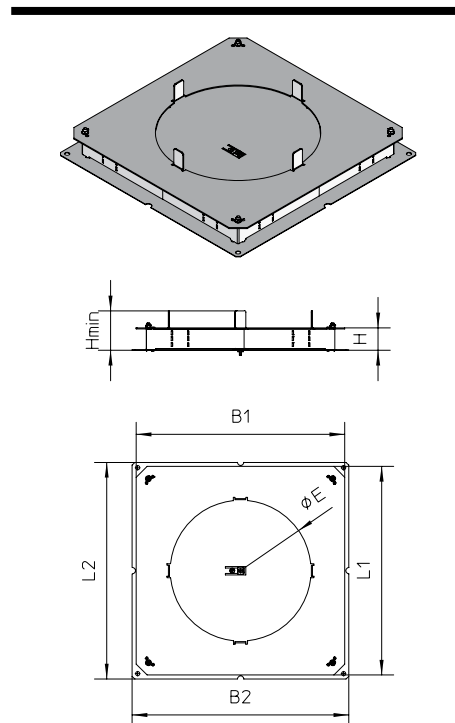
has accessories included:

1 x **UBDHB-Z** Earthing clamp (Page B21)

has optional accessories:

USR Shuttering pipe, round (Page B18)

UN Nail anchor (Page B20)



UBDHB250 2V False floor socket, 2x, square

False floor socket with an installation opening of 187x262 mm for square installation units.

Article number	H mm	H _{min} mm	B1 mm	B2 mm	L2 mm	E mm	Mounting boxes	G kg
S								
UBDHB250 28-185V	31	67	385	400	400	187 x 262	2	3.50
UBDHB250 38-185V	41	77	385	400	400	187 x 262	2	3.60
UBDHB250 48-185V	51	87	385	400	400	187 x 262	2	3.70

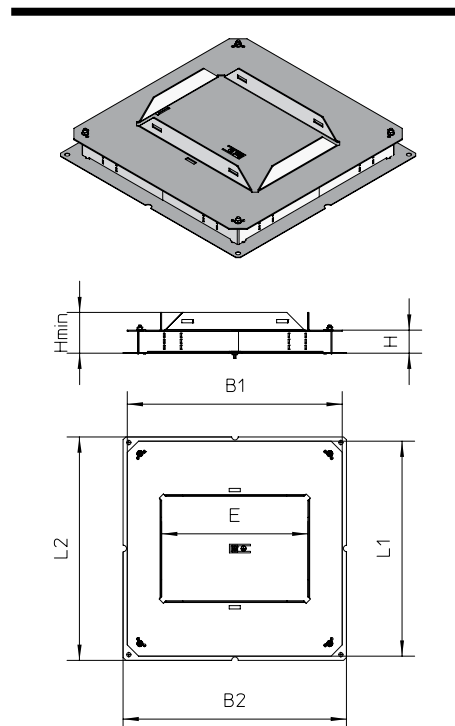
has accessories included:

1 x **UBDHB-Z** Earthing clamp (Page B21)

has optional accessories:

USK Shuttering unit, square (Page B18)

UN Nail anchor (Page B20)



Screed-covered duct systems

Underfloor duct system | False floor sockets

UBDHB190 1V False floor socket, 1x, square

False floor socket with an installation opening of 165x165 mm for square single outlets.

Article number	H mm	H _{min} mm	B1 mm	B2 mm	L1 mm	L2 mm	E mm	Mounting boxes	G kg
S									
UBDHB190 28-160V	31	67	270	290	270	290	165	1	1.20
UBDHB190 38-160V	41	77	270	290	270	290	165	1	1.90
UBDHB190 48-160V	51	87	270	290	270	290	165	1	2.00

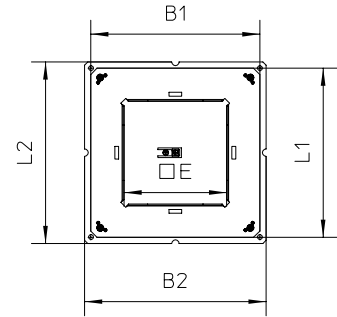
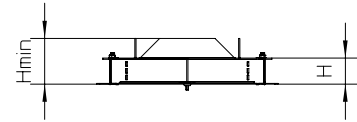
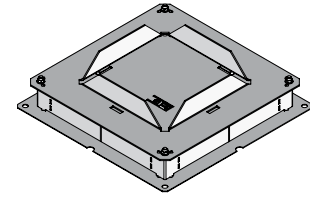
has accessories included:

1 x **UBDHB-Z** Earthing clamp (Page B21)

has optional accessories:

UN Nail anchor (Page B20)

USK Shuttering unit, square (Page B18)



UBDHB 122R False floor socket, 1x, round

False floor socket with an installation opening of 123 mm for round single outlets.

Article number	H mm	H _{min} mm	B1 mm	B2 mm	L1 mm	L2 mm	E mm	Mounting boxes	G kg
S									
UBDHB 38-122R	42	73	150	160	150	160	123	1	0.64

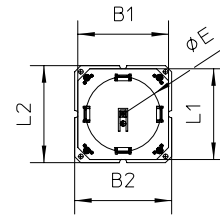
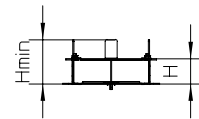
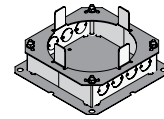
has accessories included:

1 x **UBDHB-Z** Earthing clamp (Page B21)

has optional accessories:

USKR Shuttering unit, round (Page B18)

UN Nail anchor (Page B20)



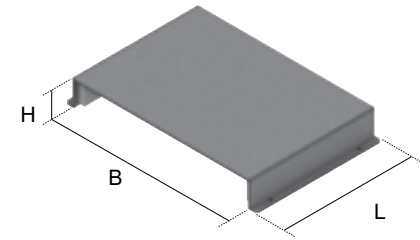
Screed-covered duct systems

Underfloor duct system | Fire protection

UKBS Fire-resistant partition

For use in fire protection wall WD90.

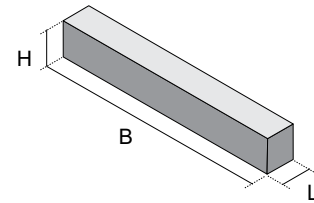
Article number	H mm	W mm	L mm	E mm	G kg
S					
UKBS 28-190S	28	190	270	260 x 56	1.64
UKBS 28-250S	28	250	270	320 x 56	2.50
UKBS 28-350S	28	350	270	420 x 56	3.00
UKBS 38-190S	38	190	270	260 x 70	1.86
UKBS 38-250S	38	250	270	320 x 70	2.20
UKBS 38-350S	38	350	270	420 x 70	2.75
UKBS 48-190S	48	190	270	260 x 83	2.07
UKBS 48-250S	48	250	270	320 x 83	2.42
UKBS 48-350S	48	350	270	420 x 83	3.00



UKBSR EasyFoam foam plugs

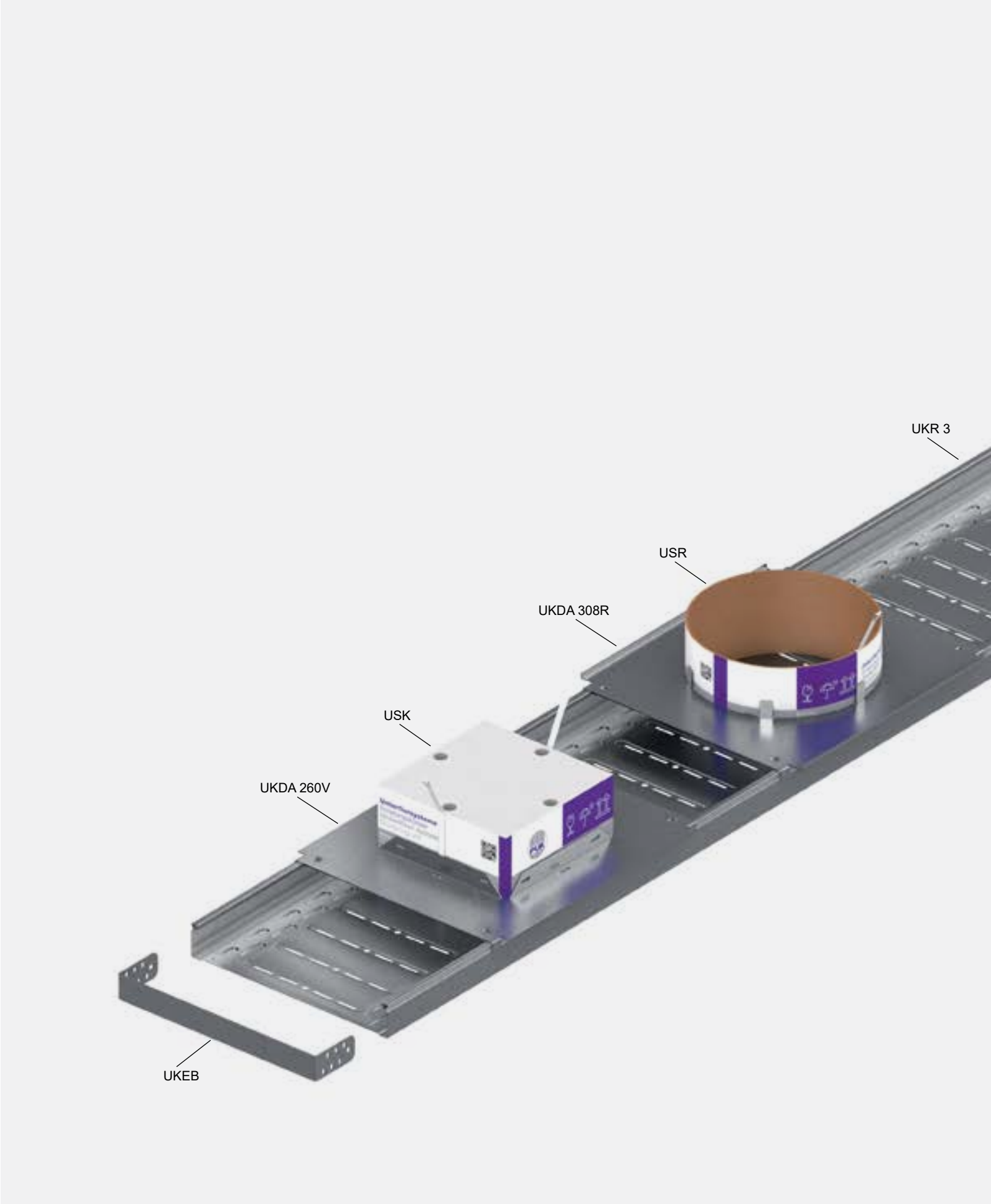
For smoketight sealing of a false floor socket.

Article number	H mm	W mm	L mm	G kg
PC				
UKBSR 28-190S	30	230	60	0.01
UKBSR 28-250S	30	290	60	0.01
UKBSR 28-350S	30	390	60	0.02
UKBSR 38-190S	40	230	60	0.01
UKBSR 38-250S	40	290	60	0.02
UKBSR 38-350S	40	390	60	0.02
UKBSR 48-190S	50	230	60	0.02
UKBSR 48-250S	50	290	60	0.02
UKBSR 48-350S	50	390	60	0.02



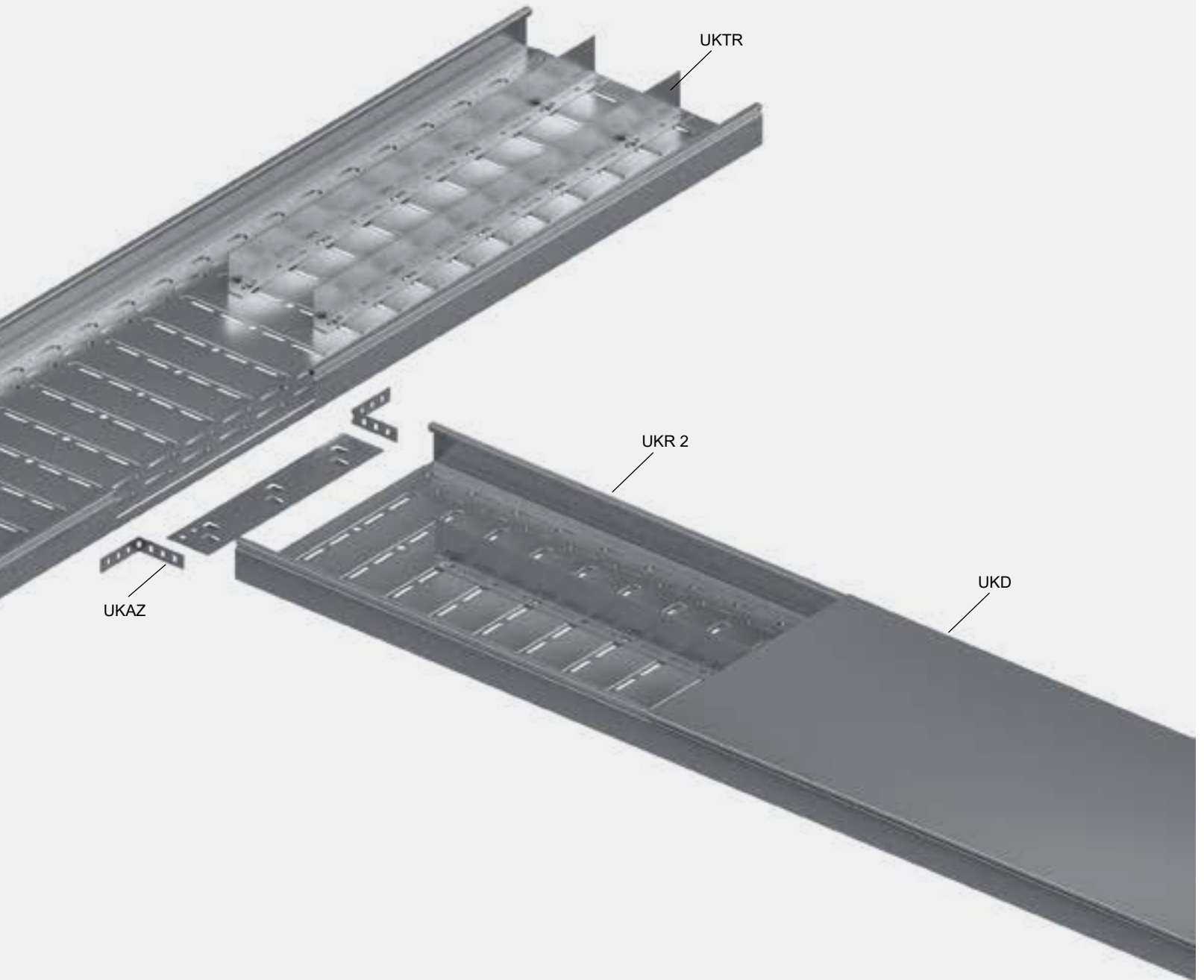
B

Screed-covered duct systems
Cable duct system | System overview



Screed-covered duct systems

Cable duct system | System overview



B

Screed-covered duct systems

Cable duct system | Ducts

UKR 2 Cable duct base, two sections

The screed-covered cable duct consists of the following components: 1x cable duct base UKR, 1x cable duct dummy cover UKD and 1x separating strip UKTR with corresponding assembly and connection materials.

Article number	H mm	W mm	L mm	G kg
S				
UKR 35-30S	35	300	3000	8.90

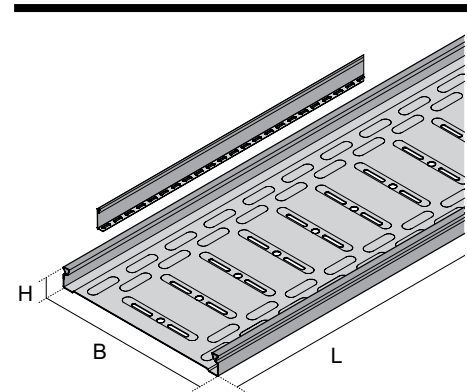
has accessories included:

1 x **UKTR 35S** Separating strip (Page B17)

3 x **SNA 6x30/5** Nail anchor (Page B20)

has optional accessories:

VB Connection plate (Cable tray catalogue)



UKR 3 Cable duct base, three sections

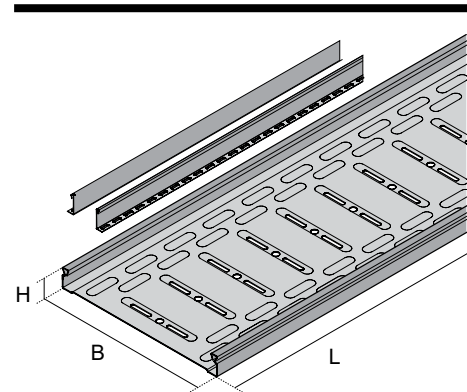
The screed-covered cable duct consists of the following components: 1x cable duct base UKR, 1x cable duct dummy cover UKD and 2x separating strips UKTR with corresponding assembly and connection materials.

Article number	H mm	W mm	L mm	G kg
S				
UKR 35-40S	35	400	3000	14.20
UKR 35-50S	35	500	3000	15.40

has accessories included:

2 x **UKTR 35S** Separating strip (Page B17)

6 x **SNA 6x30/5** Nail anchor (Page B20)



Article number	H mm	W mm	L mm	G kg
S				
UKR 60-40S	60	400	3000	19.80
UKR 60-50S	60	500	3000	23.90

has accessories included:

2 x **UKTR 60S** Separating strip (Page B17)

6 x **SNA 6x30/5** Nail anchor (Page B20)

Article number	H mm	W mm	L mm	G kg
S				
UKR 85-40S	85	400	3000	23.40
UKR 85-50S	85	500	3000	27.50

has accessories included:

2 x **UKTR 85S** Separating strip (Page B17)

6 x **SNA 6x30/5** Nail anchor (Page B20)

Article number	H mm	W mm	L mm	G kg
S				
UKR 110-40S	110	400	3000	28.70
UKR 110-50S	110	500	3000	31.00

has accessories included:

2 x **UKTR 110S** Separating strip (Page B17)

6 x **SNA 6x30/5** Nail anchor (Page B20)

has optional accessories:

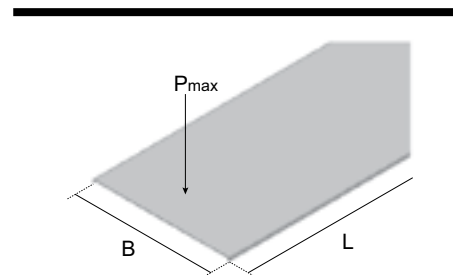
VB Connection plate (Cable tray catalogue)

Screed-covered duct systems

Cable duct system | Covers

UKD Cable duct dummy cover

Article number	W mm	L mm	P _{max} kN	G kg
S				
UKD 30S	300	3000	0.75	7.90
UKD 40S	400	3000	0.75	10.20
UKD 50S	500	3000	0.75	19.00



UKDA 308R Cable duct assembly cover, round

Article number	W mm	L mm	E mm	P _{max} kN	Mounting boxes	G kg
S						
UKDA-308R 40S	400	495	310	0.75	3	2.30
UKDA-308R 50S	500	595	310	0.75	3	3.90

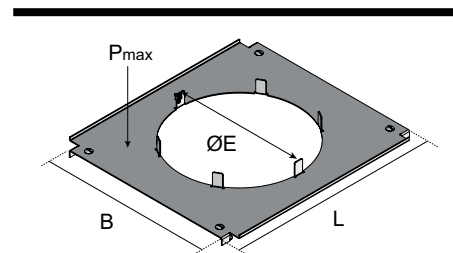
has accessories included:

1 x **UBDHB-Z** Earthing clamp (Page B21)

has optional accessories:

USR Shuttering pipe, (Page B18)

UBDEL round Earthing lug (Page B20)



UKDA 260R Cable duct assembly cover, round

Article number	W mm	L mm	E mm	P _{max} kN	Mounting boxes	G kg
S						
UKDA-260R 30S	300	420	260	0.75	2	1.23
UKDA-260R 40S	400	495	260	0.75	2	2.14
UKDA-260R 50S	500	595	260	0.75	2	4.47

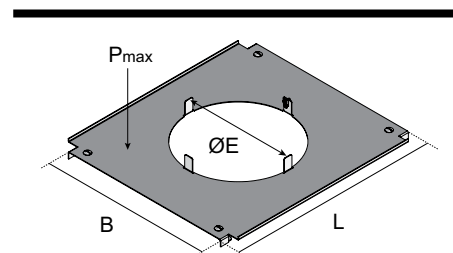
has accessories included:

1 x **UBDHB-Z** Earthing clamp (Page B21)

has optional accessories:

USR Shuttering pipe, (Page B18)

UBDEL round Earthing lug (Page B20)



UKDA 260V Cable duct assembly cover, square

Article number	W mm	L mm	E mm	P _{max} kN	Mounting boxes	G kg
S						
UKDA-260V 40S	400	495	262 x 262	0.75	3	2.03
UKDA-260V 50S	500	595	262 x 262	0.75	3	3.29

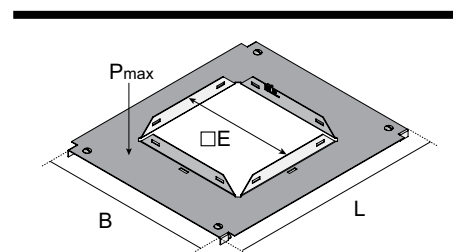
has accessories included:

1 x **UBDHB-Z** Earthing clamp (Page B21)

has optional accessories:

USK Shuttering unit, square (Page B18)

UBDEL Earthing lug (Page B20)



Screed-covered duct systems

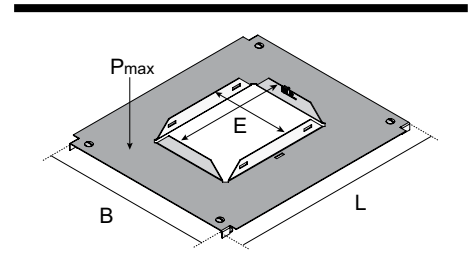
Cable duct system | Covers

UKDA 185V Cable duct assembly cover, square

Article number	W mm	L mm	E mm	P _{max} kN	Mounting boxes	G kg
S						
UKDA-185V 30S	300	420	187 x 262	0.75	2	1.39
UKDA-185V 40S	400	495	187 x 262	0.75	2	2.26

has accessories included:
 1 x **UBDHB-Z** Earthing clamp (Page B21)

has optional accessories:
USK Shuttering unit, square (Page B18)
UBDEL Earthing lug (Page B20)



Screed-covered duct systems

Cable duct system | Accessories

UKEB End plate

Article number	H mm	W mm	G kg
S			
UKEB 35-30S	20	300	0.13
UKEB 35-40S	20	400	0.16
UKEB 35-50S	20	500	0.19
UKEB 60-40S	45	400	0.41
UKEB 60-50S	45	500	0.64

has accessories included:
1 x **KLR** Clamp fastening set (Cable tray catalogue)

Article number	H mm	W mm	G kg
S			
UKEB 85-40S	70	400	0.75
UKEB 85-50S	70	500	0.86
UKEB 110-40S	95	400	0.93
UKEB 110-50S	95	500	1.10

has accessories included:
2 x **KLR** Clamp fastening set (Cable tray catalogue)

UKAZ Attachment accessories

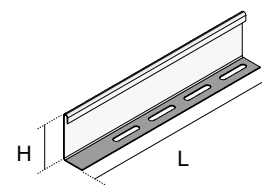
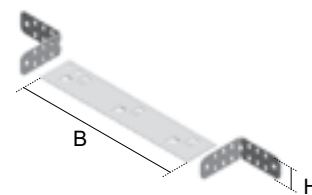
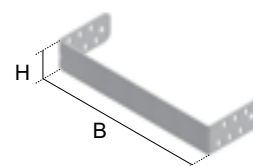
Article number	H mm	W mm	G kg
S			
UKAZ 35-40S	20	400	0.50
UKAZ 35-50S	20	500	0.60
UKAZ 60-40S	45	400	1.20
UKAZ 60-50S	45	500	1.30
UKAZ 85-40S	70	400	1.40
UKAZ 85-50S	70	500	1.60
UKAZ 110-40S	95	400	1.70
UKAZ 110-50S	95	500	1.80

has optional accessories:
SNA Nail anchor (Page B20)

UKTR Separating strip

Article number	H mm	L mm	G kg
S			
UKTR 35S	33	3000	1.60
UKTR 60S	57	3000	2.10
UKTR 85S	80	3000	2.80
UKTR 110S	107	3000	4.80

has optional accessories:
SNA Nail anchor (Page B20)



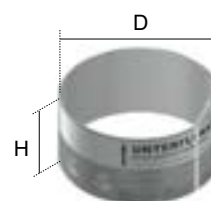
Screed-covered duct systems

Shuttering unit

USR Shuttering pipe, round

Shuttering pipe made from cardboard for creating an installation opening for round installation units. For use in a false floor socket.

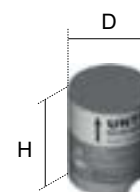
Article number	H mm	D mm	G kg
KT			
USR 259-150	150	260	0.30
USR 308-225	225	308	0.60
USR 308-150	150	308	0.42



USKR Shuttering unit, round

Shuttering unit made from polystyrene for creating an installation opening for round installation units. For use in a false floor socket.

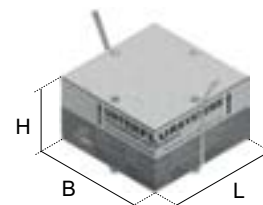
Article number	H mm	D mm	G kg
STY			
USK 120R-150	150	122	0.06



USK Shuttering unit, square

Shuttering unit made from polystyrene for creating an installation opening for square installation units. For use in a false floor socket.

Article number	H mm	W mm	L mm	E mm	G kg
STY					
USK 160V-150	150	163	163	165x165	0.08
USK 185V-150	150	262	186	187x262	0.16
USK 259V-150	150	262	262	262x262	0.19
USK 259V-225	225	262	262	262x262	0.24



Screed-covered duct systems

Shuttering unit

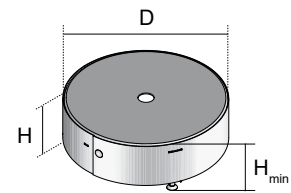
UNSKH R Heat-resistant shuttering unit, height-adjustable, round

Shuttering unit, height-adjustable, round. As lost formwork for round installation units, can be sanded and is heat-resistant, suitable for installation in cast/hot asphalt or terrazzo.

Article number	H mm	H _{min} mm	N mm	D mm	G kg
S					
UNSKH 308R-100S	88	100	+55	307	1.90
UNSKH 308R-155S	88	155	+70	307	2.28

has optional accessories:

USK-R3 Shuttering, round (Page C10)



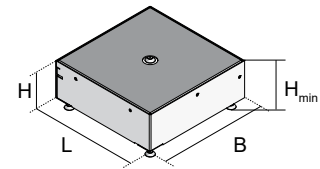
UNSKH V Heat-resistant shuttering unit, height-adjustable, square

Shuttering unit, height-adjustable, square. As lost formwork for square installation units, can be sanded and is heat-resistant, suitable for installation in cast/hot asphalt or terrazzo.

Article number	H mm	H _{min} mm	N mm	W mm	L mm	G kg
S						
UNSKH 260V-100S	88	100	+55	259	259	1.53
UNSKH 260V-155S	88	155	+70	259	259	2.64

has optional accessories:

USK-V Shuttering, angular (Page C11)



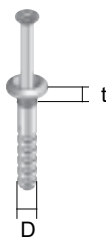
B

Screed-covered duct systems

Accessories

UN Nail anchor

Article number	L _{min} mm	D mm	t mm	G kg/100
Z				
UN 5/38	55	6	0-7	0.4



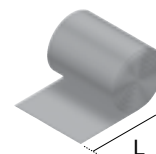
SNA Nail anchor

Article number	L _{min} mm	D mm	t mm	G kg/100
Z				
SNA 6x30/5	45	6	0-5	1.1



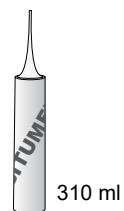
UGKB Duct tape

Article number	W mm	L mm	G kg
PET			
UGKB	50	50000	0.40



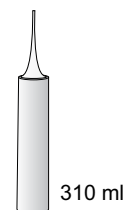
UBKM Bitumen glue

Article number	G kg
UBKM	0.50



USD Silicone sealant

Article number	G kg
USD54-S	0.31



Screed-covered duct systems

Accessories

UBDEL Earthing lug

Article number	G kg
S	
UBDEL	< 0.01



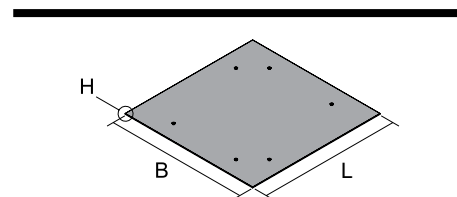
UBDHB Z Earthing clamp

Article number	G kg
S	
UBDHB-Z	< 0.01



UBP VR Dummy cover assembly opening

Article number	H mm	W mm	L mm	P _{max} kN	G kg
S					
UBP-VR 2S	8	330	330	0.75	1.71



B

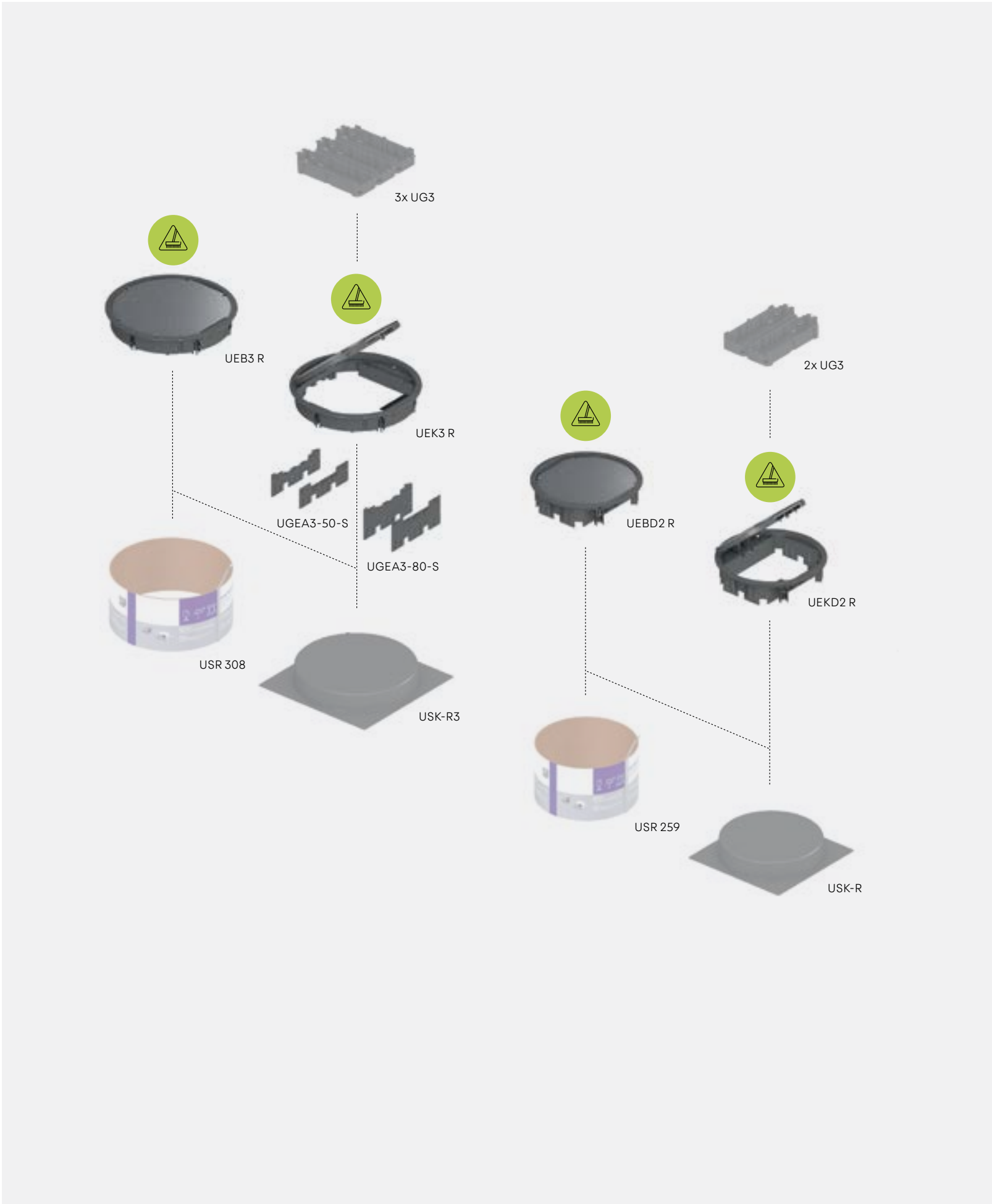


Installation units for screed and false floors

Installation units made from plastic System overview	C02
Installation units made from plastic Brush installation units made from plastic	C04
Installation units made from plastic Accessories for brush installation units	C06
Installation units made from plastic Installation units, round	C08
Installation units made from plastic Installation units, angular	C09
Installation units made from plastic Accessories for installation units	C10
Cartridge installation units made from stainless steel System overview	C14
Cartridge installation units made from stainless steel Cartridge installation unit made from stainless steel, round	C16
Cartridge installation units made from stainless steel Cartridge installation unit made from stainless steel, angular	C18
Installation units made from stainless steel System overview	C22
Installation units made from stainless steel Cartridge unit, round	C24
Installation units made from stainless steel Cartridge unit, angular	C32
Installation units made from stainless steel Accessories for stainless steel cartridges	C40
Cartridge units, machine cleaning System overview	C45
Cartridge units, machine cleaning	C46
BODO single outlet, round System overview	C48
BODO single outlet, round	C50
BODO single outlet, round Accessories	C54
BODO surface-mounted outlet, round System overview	C56
BODO surface-mounted outlet, round	C57
Single outlet, angular System overview	C60
Single outlet, angular	C62
Single outlet, angular Accessories	C65
Compact single outlet System overview	C66
Compact single outlet	C68
Compact single outlet Accessories	C72

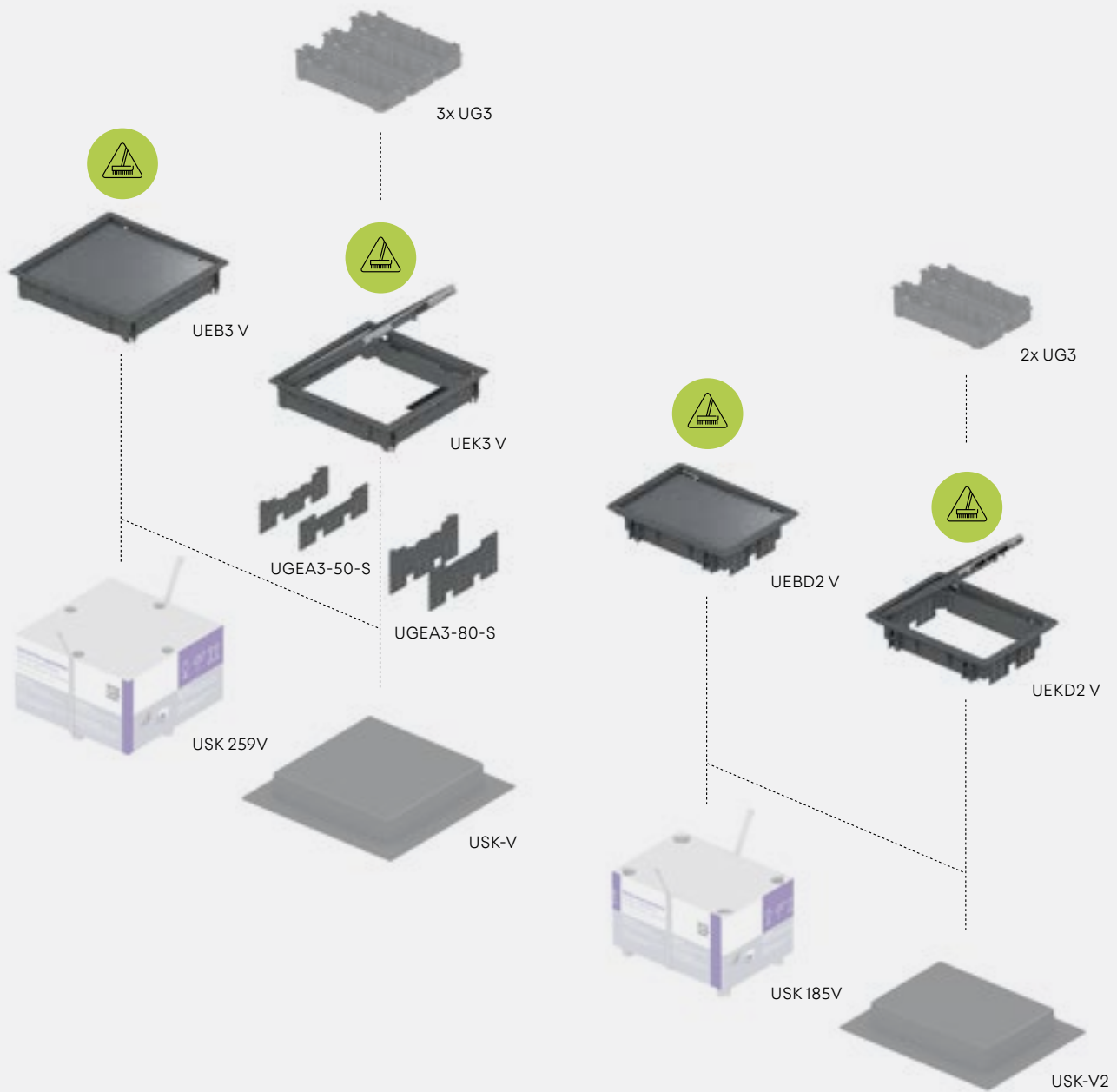
Installation units for screed and false floors

Installation units made from plastic | System overview



Installation units for screed and false floors

Installation units made from plastic | System overview



Installation units for screed and false floors

Installation units made from plastic | Brush installation units made from plastic

UEB3 R Installation unit - dummy cover, 3x, round

Round dummy unit made from plastic with carpet protection frame as maintenance opening for rooms with carpet or linoleum covering.

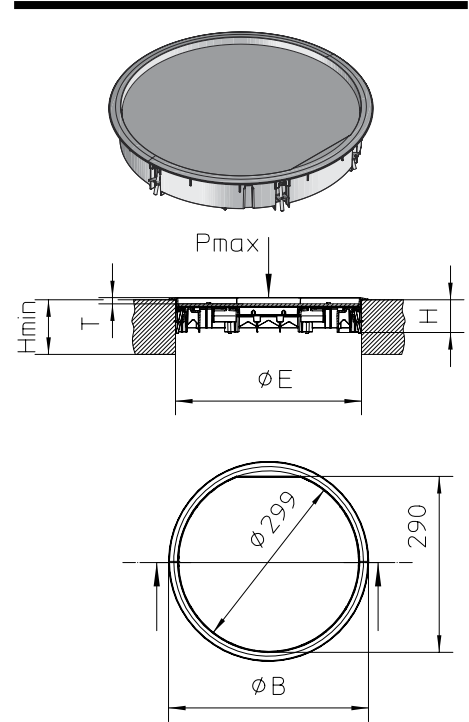
Article number	H mm	H _{min} mm	W mm	E mm	D mm	P _{max} kN	Colour	IP _n	G kg
PA									
UEB3-R-G	58	63	330	307	10	2	RAL 7011 (iron grey)	IP 30	2.574
UEB3-R-S	58	63	330	307	10	2	RAL 9011 (graphite black)	IP 30	2.574

has accessories included:

6 x **UDKS3-VR** Claw for plastic installation units (Page C06)

has optional accessories:

UEB R Cover insert, dummy cover, round (Page C06)
UDKS 40-80 Claw for plastic hinged cover (Page C12)
UDKS3 Universal claw for plastic units (Page C06)
UDKSEB Claw, screed-flush (Page C12)



UEK3 R Installation unit - hinged cover, 3x, round

Round hinged cover unit made from plastic with carpet protection frame as maintenance opening for rooms with carpet or linoleum covering.

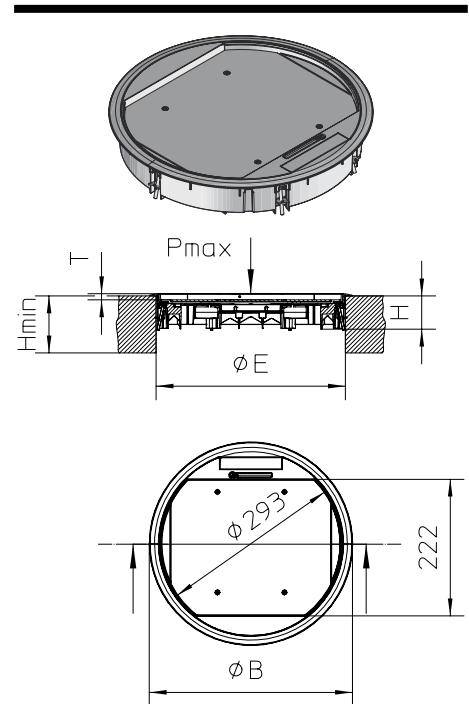
Article number	H mm	H _{min} mm	W mm	E mm	D mm	P _{max} kN	Colour	IP _n	IP _g	G kg
PA										
UEK3-R-G	58	63	330	307	10	2	RAL 7011 (iron grey)	IP 30	IP 20	1.935
UEK3-R-S	58	63	330	307	10	2	RAL 9011 (graphite black)	IP 30	IP 20	1.935

has accessories included:

6 x **UDKS3-VR** Claw for plastic installation units (Page C06)

has optional accessories:

UEK R Cover insert, hinged cover, round (Page C06)
UGEA3 Snap-in ladder set (Page C06)
UDKS 40-80 Claw for plastic hinged cover (Page C12)
UDKS3 Universal claw for plastic units (Page C06)
UDKSEB Claw, screed-flush (Page C12)



Installation units for screed and false floors

Installation units made from plastic | Brush installation units made from plastic

UEB3 V Installation unit - dummy cover, 3x, square

Angular dummy unit made from plastic with carpet protection frame as maintenance opening for rooms with carpet or linoleum covering.

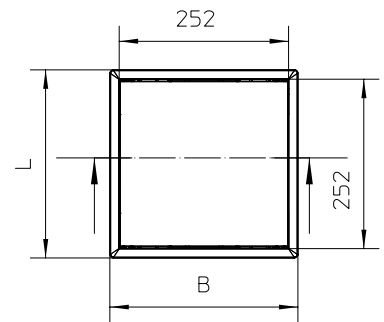
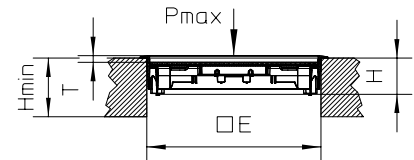
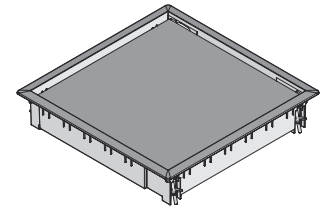
Article number	H mm	H _{min} mm	W mm	L mm	E mm	D mm	P _{max} kN	Colour	IP _n	G kg
PA										
UEB3-V-G	58	63	280	280	260x260	10	2	RAL 7011 (iron grey)	IP 30	1.27
UEB3-V-S	58	63	280	280	260x260	10	2	RAL 9011 (graphite black)	IP 30	1.27

has accessories included:

4 x **UDKS3-VR** Claw for plastic installation units (Page C06)

has optional accessories:

UEB V Cover insert, dummy cover, square (Page C06)
UDKS 40-80 Claw for plastic hinged cover (Page C12)
UDKS3 Universal claw for plastic units (Page C06)
UDKSEB Claw, screed-flush (Page C12)



UEK3 V Installation unit - hinged cover, 3x, square

Angular hinged cover unit made from plastic with carpet protection frame as maintenance opening for rooms with carpet or linoleum covering.

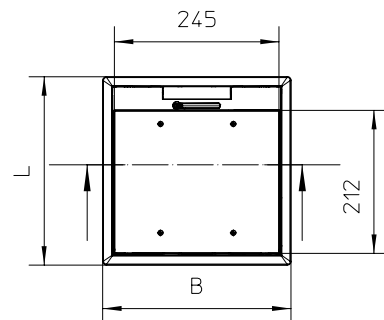
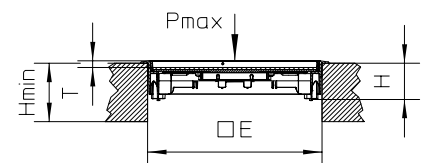
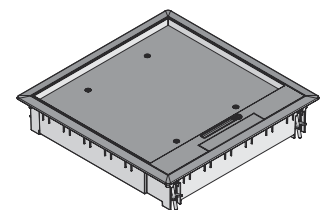
Article number	H mm	H _{min} mm	W mm	L mm	E mm	D mm	P _{max} kN	Colour	IP _n	IP _g	G kg
PA											
UEK3-V-G	58	63	280	280	260x260	10	2	RAL 7011 (iron grey)	IP 30	IP 20	1.80
UEK3-V-S	58	63	280	280	260x260	10	2	RAL 9011 (graphite black)	IP 30	IP 20	1.80

has accessories included:

4 x **UDKS3-VR** Claw for plastic installation units (Page C06)

has optional accessories:

UEK V Cover insert, hinged cover, square (Page C07)
UGEA3 Snap-in ladder set (Page C06)
UDKS 40-80 Claw for plastic hinged cover (Page C12)
UDKS3 Universal claw for plastic units (Page C06)
UDKSEB Claw, screed-flush (Page C12)

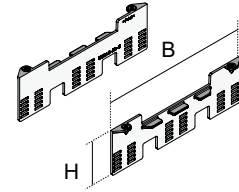


Installation units for screed and false floors

Installation units made from plastic | Accessories for brush installation units

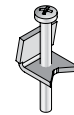
UGE A3 Snap-in ladder set

Article number	H mm	W mm	Colour	Locking range mm	G kg
PA					
UGE A3-50-S	56	186	RAL 9011 (graphite black)	20	0.05
UGE A3-80-S	81	186	RAL 9011 (graphite black)	25	0.08



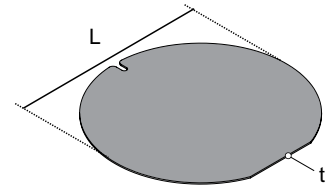
UDKS3 Claw for plastic installation units

Article number	L mm	k mm	Ea.	G kg
S				
UDKS3-VR	35	35 - 50	1	0.01



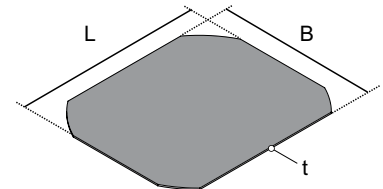
UEB R Cover insert, dummy cover, round

Article number	L mm	t mm	G kg
KT			
UEB3-R 2	295	2	0.081
UEB3-R 5	295	5	0.202
PVC			
UEB3-R 6 K	295	6	0.18



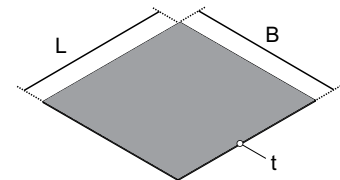
UEK R Cover insert, hinged cover, round

Article number	W mm	L mm	t mm	G kg
KT				
UEK3-R 2	219	290	2	0.073
UEK3-R 5	219	290	5	0.182
PVC				
UEK3-R 6 K	219	290	6	0.15



UEB V Cover insert, dummy cover, square

Article number	W mm	L mm	t mm	G kg
KT				
UEB3-V 2	245	249	2	0.073
UEB3-V 5	245	249	5	0.207
PVC				
UEB3-V 6 K	245	249	6	0.16



Installation units for screed and false floors

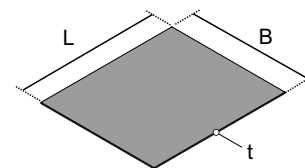
Installation units made from plastic | Accessories for brush installation units

UEK V Cover insert, hinged cover, square

Article number	W mm	L mm	t mm	G kg
KT				
UEK3-V 2	210	243	2	0.069
UEK3-V 5	210	243	5	0.173

PVC

UEK3-V 6 K	210	243	6	0.14
------------	-----	-----	---	------



UEKA3 Cable outlet flap

Article number	Colour	G kg
PA		
UEKA3-G	RAL 7011 (iron grey)	0.01
UEKA3-S	RAL 9011 (graphite black)	0.01



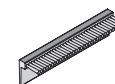
UEKH3 Opening lever

Article number	Colour	G kg
PA		
UEKH3-G	RAL 7011 (iron grey)	0.01
UEKH3-S	RAL 9011 (graphite black)	0.01



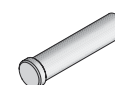
UEK3 BK Brush cable outlet

Article number	Colour	G kg
PA		
UEK3-BK-S	Black (similar to RAL 9011)	0.01



UEK3 ST Hinge pin

Article number	G kg
S	
UEK3-ST S	0.10



Installation units for screed and false floors

Installation units made from plastic | Installation units, round

UEBD2 R Installation unit - dummy cover, 2x, round

Round dummy unit made from plastic with carpet protection frame as maintenance opening for rooms with carpet or linoleum covering.

Article number	H mm	H _{min} mm	W mm	E mm	D mm	P _{max} kN	Colour	IP _n	G kg
PA									
UEBD2-R-G	65	65	280	260	8	2	RAL 7011 (iron grey)	IP 30	1.32
UEBD2-R-S	65	65	280	260	8	2	RAL 9011 (graphite black)	IP 30	1.32

has accessories included:

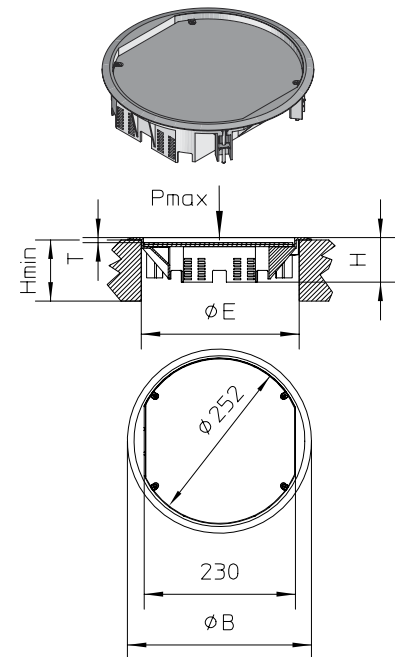
1 x **UDBS-R 4** False floor claws for dummy cover (Page C11)

has optional accessories:

UEBD R Cover insert, dummy cover, (Page C10)

UDBS 40-80 Claw for plastic dummy cover (Page C12)

UDKSEB Claw, screed-flush (Page C12)



UEKD2 R Installation unit - hinged cover, 2x, round

Round hinged cover installation unit made from plastic with carpet protection frame for the use of two mounting boxes for rooms with carpet or linoleum covering.

Article number	H mm	H _{min} mm	W mm	E mm	D mm	P _{max} kN	Colour	IP _n	IP _g	G kg
PA										
UEKD2-R-G	65	74	280	260	8	2	RAL 7011 (iron grey)	IP 30	IP 20	1.30
UEKD2-R-S	65	74	280	260	8	2	RAL 9011 (graphite black)	IP 30	IP 20	1.30

has accessories included:

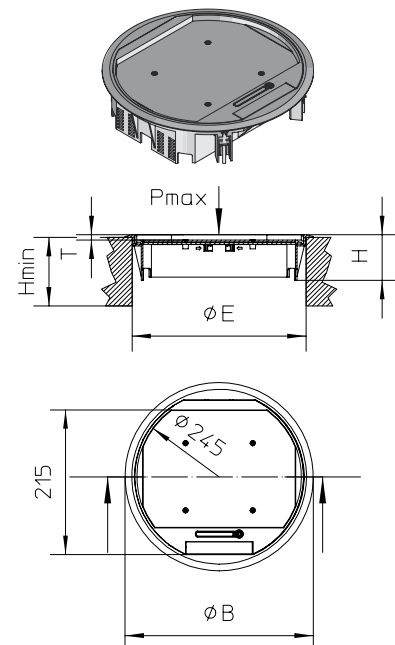
1 x **UDKS-R 4** False floor claws for hinged cover, round (Page C11)

has optional accessories:

UEKD R Cover insert, hinged cover, (Page C10)

UDBS 40-80 Claw for plastic dummy cover (Page C12)

UDKSEB Claw, screed-flush (Page C12)



Installation units for screed and false floors

Installation units made from plastic | Installation units, angular

UEBD2 V Installation unit - dummy cover, 2x, square

Angular dummy unit made from plastic with carpet protection frame as maintenance opening for rooms with carpet or linoleum covering.

Article number	H mm	H _{min} mm	W mm	L mm	E mm	D mm	P _{max} kN	Colour	IP _n	G kg
PA										
UEBD2-V-G	65	65	206	280	261 x 186	8	2	RAL 7011 (iron grey)	IP 30	1.30
UEBD2-V-S	65	65	206	280	261 x 186	8	2	RAL 9011 (graphite black)	IP 30	1.30

has accessories included:

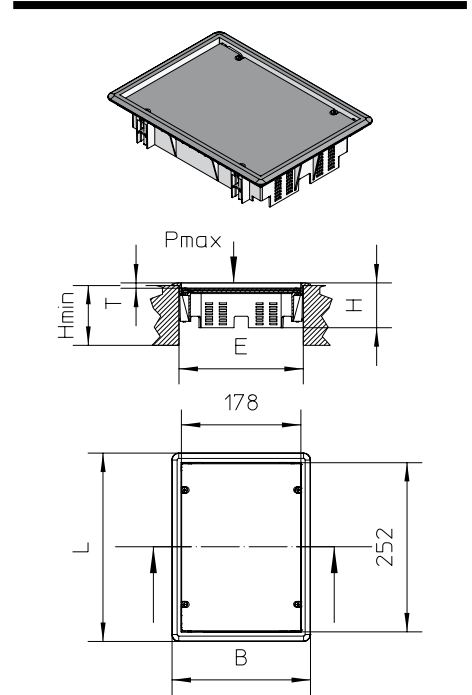
1 x **UDBS-R 4** False floor claws for dummy cover (Page C11)

has optional accessories:

UEBD V Cover insert, dummy cover, square (Page C10)

UDBS 40-80 Claw for plastic dummy cover (Page C12)

UDKSEB Claw, screed-flush (Page C12)



UEKD2 V Installation unit - hinged cover, 2x, square

Angular hinged cover installation unit made from plastic with carpet protection frame for the use of two mounting boxes for rooms with carpet or linoleum covering.

Article number	H mm	H _{min} mm	W mm	L mm	E mm	D mm	P _{max} kN	Colour	IP _n	IP _g	G kg
PA											
UEKD2-V-G	65	74	206	280	261 x 186	8	2	RAL 7011 (iron grey)	IP 30	IP 20	1.40
UEKD2-V-S	65	74	206	280	261 x 186	8	2	RAL 9011 (graphite black)	IP 30	IP 20	1.40

has accessories included:

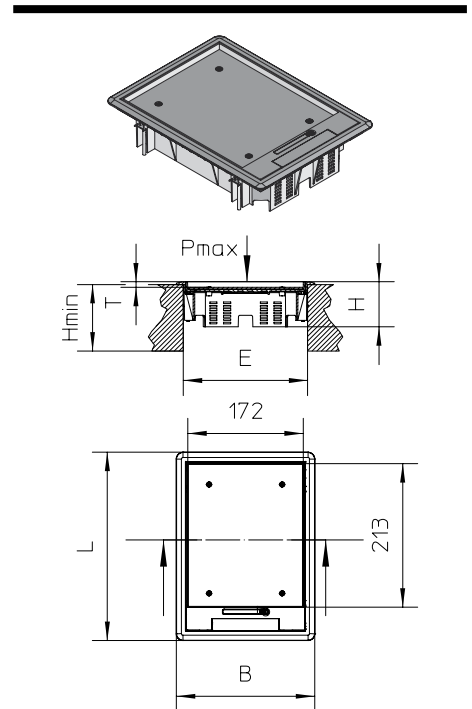
1 x **UDKS-V 4** False floor claws for hinged cover, square (Page C11)

has optional accessories:

UEKD V Cover insert, hinged cover, square (Page C10)

UDBS 40-80 Claw for plastic dummy cover (Page C12)

UDKSEB Claw, screed-flush (Page C12)

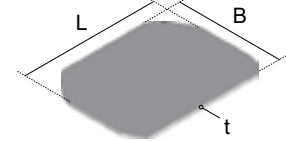


Installation units for screed and false floors

Installation units made from plastic | Accessories for installation units

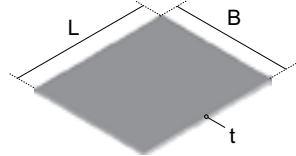
UEKD R Cover insert, hinged cover, round

Article number	W mm	L mm	t mm	G kg
KT				
UEKD2-R 3	174	242	3	0.11



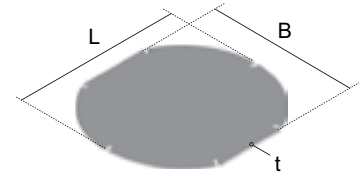
UEKD V Cover insert, hinged cover, square

Article number	W mm	L mm	t mm	G kg
KT				
UEKD2-V 3	169	210	3	0.10



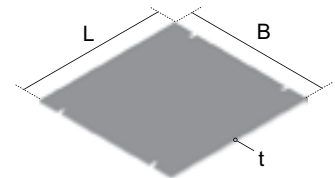
UEBD R Cover insert, dummy cover, round

Article number	W mm	L mm	t mm	G kg
KT				
UEBD2-R 3	176	247	3	0.11



UEBD V Cover insert, dummy cover, square

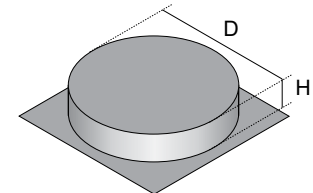
Article number	W mm	L mm	t mm	G kg
KT				
UEBD2-V 3	176	247	3	0.10



USK R Shuttering, round

Shuttering made from plastic for creating an installation opening for round installation units in the raised floor.

Article number	H mm	D mm	G kg
PP			
USK-R	52	260	0.18
USK-R3	52	305	0.21



has optional accessories:

UEKD2 R Installation unit - hinged cover, 2x, round (Page C08)

Installation units for screed and false floors

Installation units made from plastic | Accessories for installation units

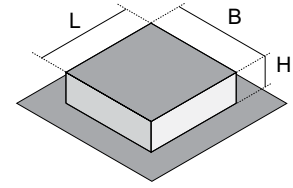
USK V Shuttering, square

Shuttering made from plastic for creating an installation opening for angular installation units in the raised floor.

Article number	H mm	W mm	L mm	G kg
PP				
USK-V2	52	261	186	0.17
USK-V	52	261	261	0.19

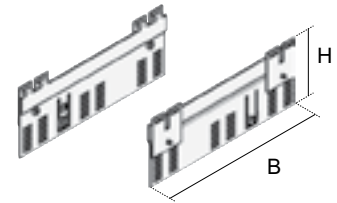
has optional accessories:

UEKD2 V Installation unit - hinged cover, 2x, square (Page C09)



UGEARL Snap-in ladder extension, 3x

Article number	H mm	H _{min} mm	W mm	Locking range mm	G kg
S					
UGEARL 50S	78.4	135	191.5	50	0.40



UDKS R 4 False floor claws for hinged cover, round

Article number	k mm	Ea.	G kg
S			
UDKS-R 4	30 - 50	4	0.04

has optional accessories:

UEKD2 R Installation unit - hinged cover, 2x, round (Page C08)



UDKS R 6 False floor claws for hinged cover, round

Article number	k mm	Ea.	G kg
S			
UDKS-R 6	30 - 50	6	0.05



UDKS V 4 False floor claws for hinged cover, square

Article number	k mm	Ea.	G kg
S			
UDKS-V 4	30 - 45	4	0.04

has optional accessories:

UEKD2 V Installation unit - hinged cover, 2x, square (Page C09)

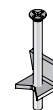


UDBS R 4 False floor claws for dummy cover

Article number	k mm	Ea.	G kg
S			
UDBS-R 4	30 - 50	4	0.04

has optional accessories:

UEBD2 R Installation unit - dummy cover, 2x, round (Page C08)

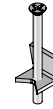


Installation units for screed and false floors

Installation units made from plastic | Accessories for installation units

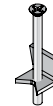
UDBS R 6 False floor claws for dummy cover, round

Article number	k mm	Ea.	G kg
S			
UDBS-R 6	30 - 50	6	0.05



UDBS V 4 False floor claws for dummy cover, square

Article number	k mm	Ea.	G kg
S			
UDBS-V 4	30 - 45	4	0.04



has optional accessories:

UEBD2 V Installation unit - dummy cover, 2x, square (Page C09)

UDKSEB Claw, screed-flush

Article number	k mm	Ea.	G kg
S			
UDKSEB	3 - 30	1	0.01



has optional accessories:

UEBSMD 122R Assembly cover, round (Page A05)
UEBSMD 185V Assembly cover, square (Page A06)
UEBSMD 260R Assembly cover, round (Page A05)
UEBSMD 260V Assembly cover, square (Page A06)
UEBSMD 307R Assembly cover, round (Page A05)

UDBS 40-80 Claw for plastic dummy cover

Article number	L mm	k mm	Ea.	G kg
S				
UDBS 40-80	100	40 - 95	1	0.02



has optional accessories:

UEBD2 R Installation unit - dummy cover, 2x, round (Page C08)
UEBD2 V Installation unit - dummy cover, 2x, square (Page C09)
UEBDD2 V E Cartridge installation unit - dummy cover, 2x, square (Page C15)
UEBDD V E Cartridge installation unit - dummy cover, 3x, square (Page C16)
UEKDD1-2 V E Cartridge installation unit - hinged cover, 1x, square (Page C16)
UEKDD2 V E Cartridge installation unit - hinged cover, 2x, square (Page C17)
UEKDD V E Cartridge installation unit - hinged cover, 3x, square (Page C17)
UEBDD1-2 V E Stainless steel dummy cover cartridge, 1x, angular (Page C16)

UDKS 40-80 Claw for plastic hinged cover

Article number	L mm	k mm	Ea.	G kg
S				
UDKS 40-80	80	40 - 85	1	0.02



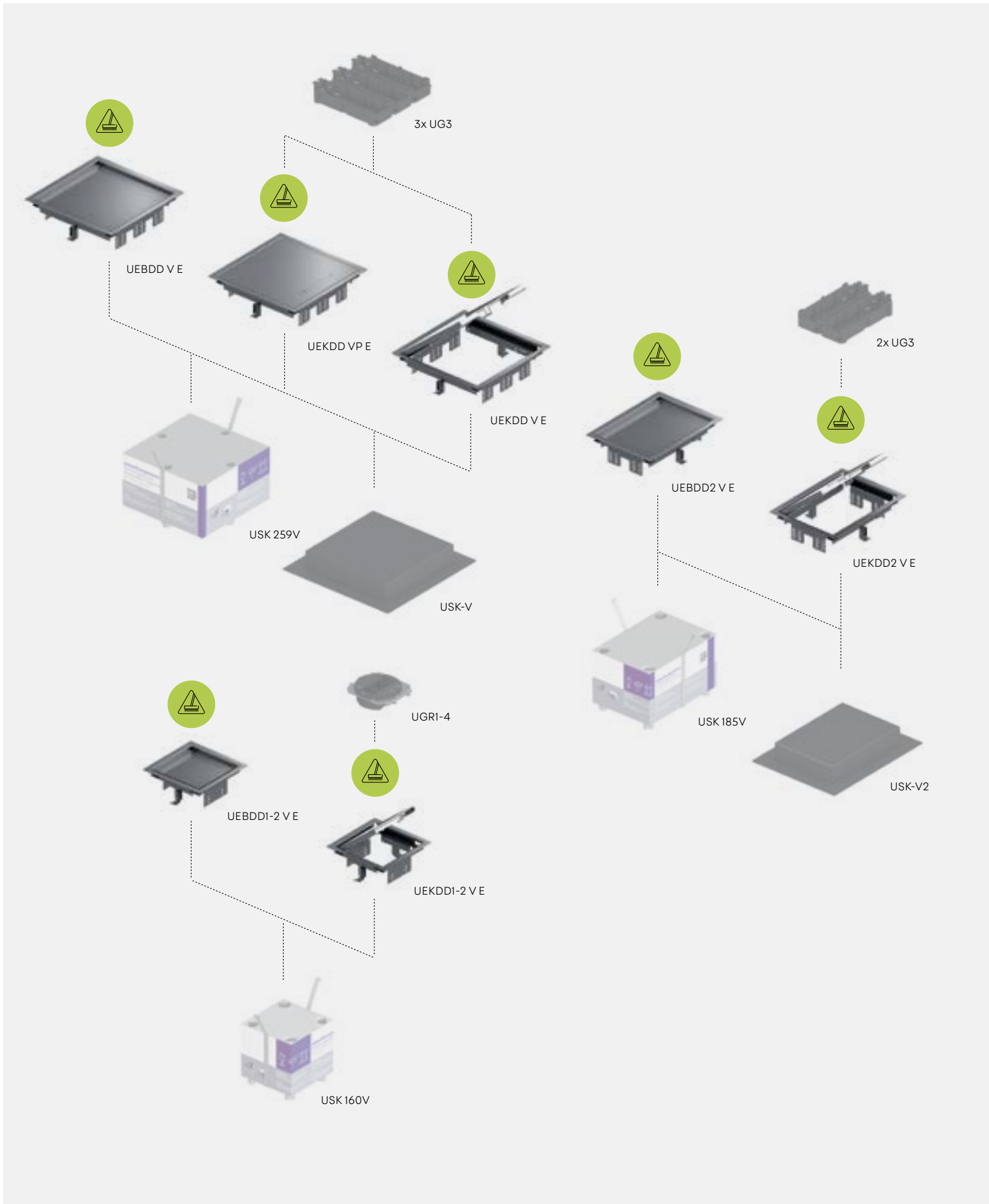
has optional accessories:

UEKD2 R Installation unit - hinged cover, 2x, round (Page C08)
UEKD2 V Installation unit - hinged cover, 2x, square (Page C09)
UEK3 R Plastic hinged cover unit, 3x, round (Page C04)
UEK3 V Plastic hinged cover unit, 3x, angular (Page C05)



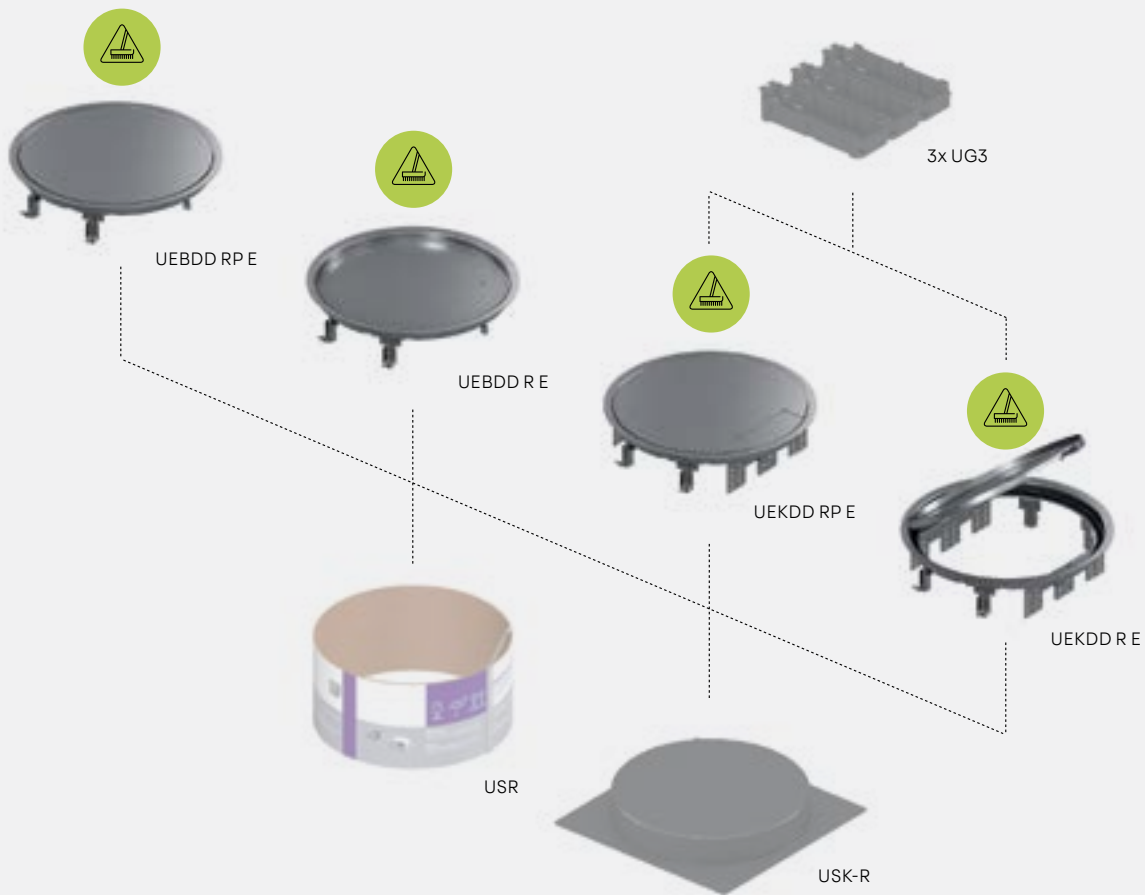
Installation units for screed and false floors

Cartridge installation units made from stainless steel | System overview



Installation units for screed and false floors

Cartridge installation units made from stainless steel | System overview



Installation units for screed and false floors

Cartridge installation units made from stainless steel | Cartridge installation unit made from stainless steel, round

UEBDD R E Stainless steel dummy cover cartridge, 3x, round

Round installation unit with stainless steel floor covering protection frame.

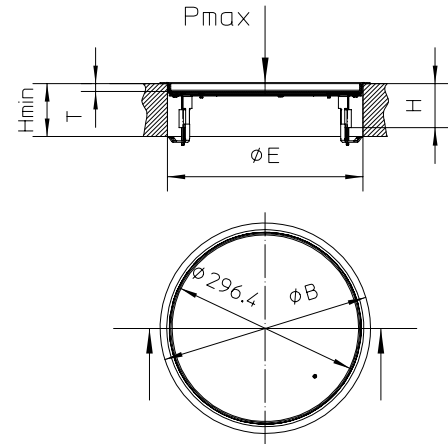
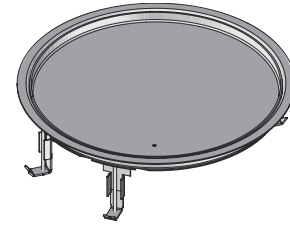
Article number	H mm	H _{min} mm	W mm	E mm	D mm	P _{max} kN	IP _n	IP _g	G kg
E									
UEBDD 15-R E	71	90	330	307	12	2	IP 30	IP 20	2.17
UEBDD 25-R E	81	100	330	307	22	2	IP 30	IP 20	2.44

has accessories included:

4 x **UDBS 40-80** Claw for plastic dummy cover (Page C12)
UGD R10-2 Rubber seal, round (Page C40)

has optional accessories:

UEBDE R Cover insert, stainless steel dummy cartridge, 3x (Page C38)



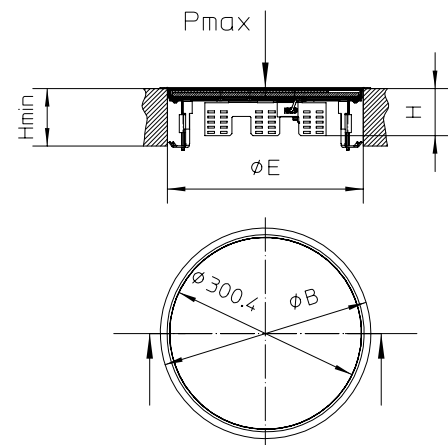
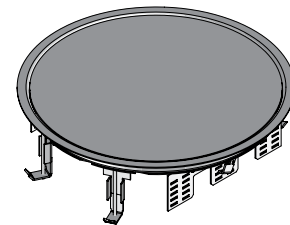
UEBDD RP E Stainless steel dummy cover cartridge, 3x, round, flat

Round installation unit with stainless steel floor covering protection frame. Flat blasted surface.

Article number	H mm	H _{min} mm	W mm	E mm	P _{max} kN	IP _n	G kg
E							
UEBDD 15-RP E	71	90	330	307	2	IP 30	5.46

has accessories included:

4 x **UDBS 40-80** Claw for plastic dummy cover (Page C12)
UGD R10-2 Rubber seal, round (Page C40)



Installation units for screed and false floors

Cartridge installation units made from stainless steel | Cartridge installation unit made from stainless steel, round

UEKDD R E Cartridge installation unit - hinged cover, 3x, round

Round hinged cover installation unit with stainless steel floor covering protection frame.

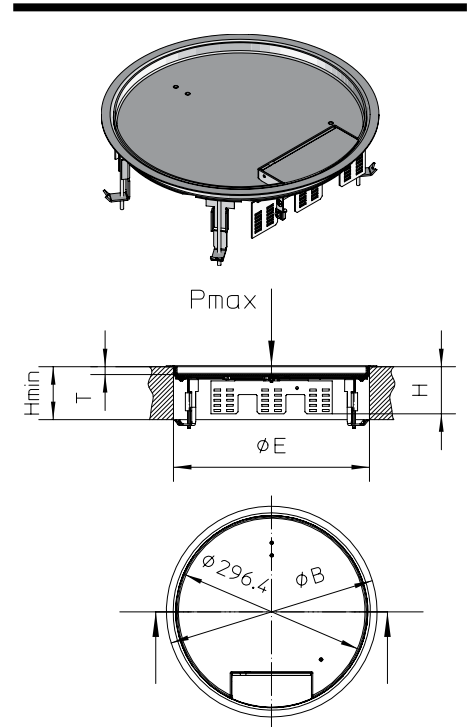
Article number	H mm	H _{min} mm	W mm	E mm	D mm	P _{max} kN	IP _n	IP _g	G kg
E									
UEKDD 15-R E	76	90	330	307	12	2	IP 30	IP 20	2.56
UEKDD 25-R E	86	100	330	307	22	2	IP 30	IP 20	2.82

has accessories included:

- 4 x **UDBS 40-80** Claw for plastic dummy cover (Page C12)
- UGD R10-2** Rubber seal, round (Page C40)

has optional accessories:

- UEKDE R** Cover insert, stainless steel outlet cartridge, 3x (Page C34)



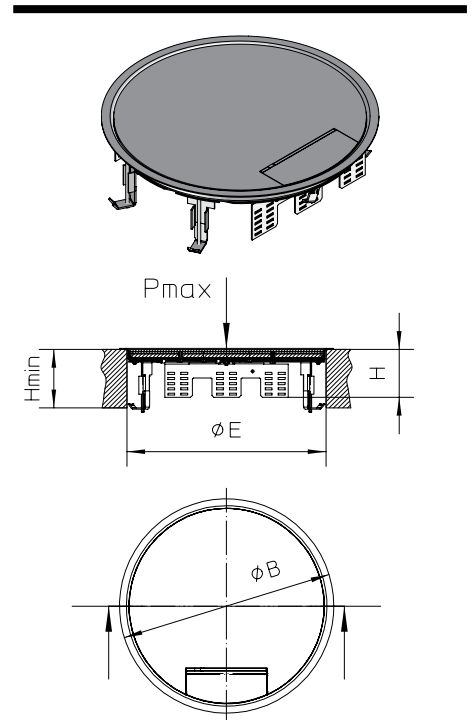
UEKDD R P E Stainless steel hinged cover cartridge, 3x, round, flat

Round installation unit with stainless steel floor covering protection frame. Flat blasted surface.

Article number	H mm	H _{min} mm	W mm	E mm	P _{max} kN	IP _n	IP _g	G kg
E								
UEKDD 15-R P E	76	90	330	307	2	IP 30	IP 20	5.64

has accessories included:

- 4 x **UDBS 40-80** Claw for plastic dummy cover (Page C12)
- UGD-R10-2** Rubber seal, round (Page C40)



Installation units for screed and false floors

Cartridge installation units made from stainless steel | Cartridge installation unit made from stainless steel, angular

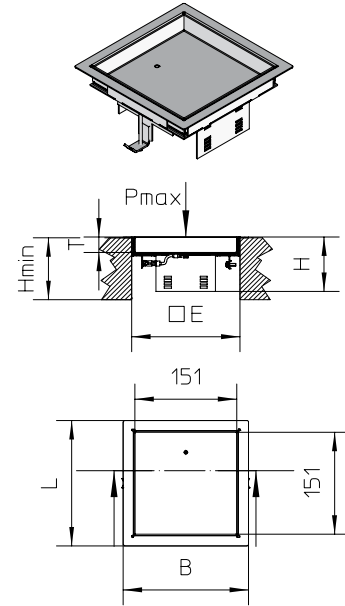
UEBDD1-2 V E Cartridge installation unit - dummy cover, 1x, square

Angular dummy installation unit with stainless steel floor covering protection frame.

Article number	H mm	H _{min} mm	W mm	L mm	E mm	D mm	P _{max} kN	IP _n	G kg
E									
UEBDD1-2 15-V E	71	80	186	186	165 x 165	12	1.5	IP 30	1.00
UEBDD1-2 25-V E	81	90	186	186	165 x 165	22	1.5	IP 30	1.20

has accessories included:

2 x **UDBS 40-80** Claw for plastic dummy cover (Page C12)
UGD1-2-V 2 Rubber seal, square (Page C41)



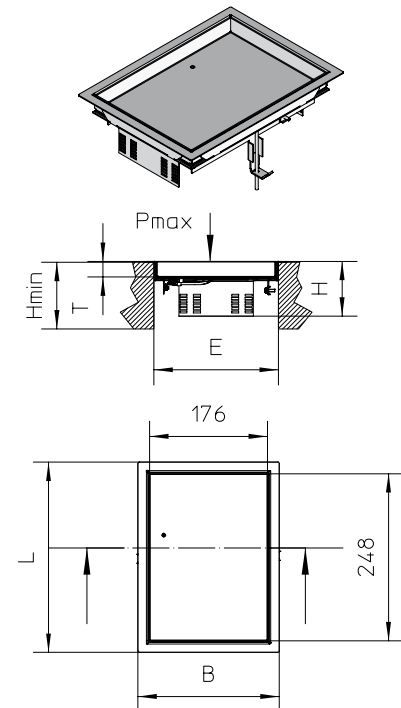
UEBDD2 V E Cartridge installation unit - dummy cover, 2x, square

Angular dummy installation unit with stainless steel floor covering protection frame.

Article number	H mm	H _{min} mm	W mm	L mm	E mm	D mm	P _{max} kN	IP _n	G kg
E									
UEBDD2 15-V E	72	90	210	283	261 x 186	12	1.5	IP 30	1.71
UEBDD2 25-V E	82	100	210	283	261 x 186	22	1.5	IP 30	2.50

has accessories included:

1 x **UGD2-V 2** Rubber seal, square (Page C37)
 2 x **UDBS 40-80** Claw for plastic dummy cover (Page C12)



Installation units for screed and false floors

Cartridge installation units made from stainless steel | Cartridge installation unit made from stainless steel, angular

UEBDD V E Cartridge installation unit - dummy cover, 3x, square

Angular dummy installation unit with stainless steel floor covering protection frame.

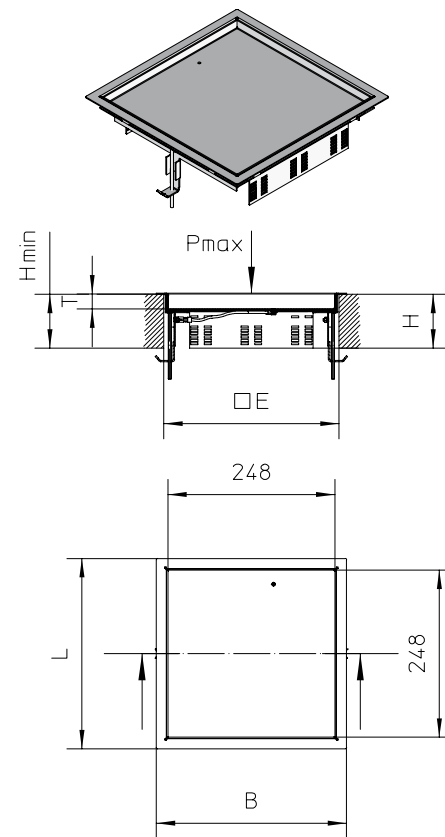
Article number	H mm	H _{min} mm	W mm	L mm	E mm	D mm	P _{max} kN	IP _n	G kg
E									
UEBDD 15-V E	72	90	283	283	261 x 261	12	2	IP 30	2.10
UEBDD 25-V E	82	100	283	283	261 x 261	22	2	IP 30	2.30

has accessories included:

- 1 x **UGD-V 2** Rubber seal, square (Page C36)
- 2 x **UDBS 40-80** Claw for plastic dummy cover (Page C12)

has optional accessories:

- UEBDEV** Cover insert, stainless steel dummy cartridge, 3x (Page C34)



Installation units for screed and false floors

Cartridge installation units made from stainless steel | Cartridge installation unit made from stainless steel, angular

UEKDD1-2 V E Cartridge installation unit - hinged cover, 1x, square

Angular hinged cover installation unit with stainless steel floor covering protection frame.

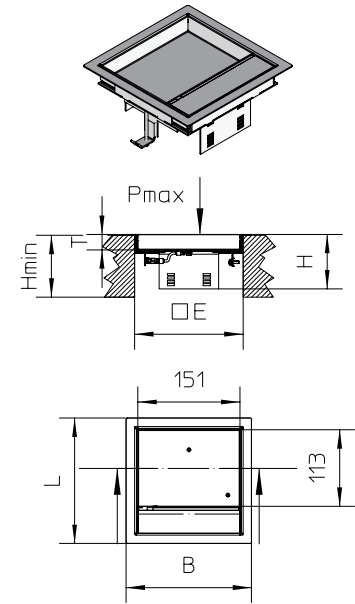
Article number	H mm	H _{min} mm	W mm	L mm	E mm	D mm	P _{max} kN	IP _n	IP _g	G kg
E										
UEKDD1-2 15-V E	71	80	186	186	165 x 165	12	1.5	IP 30	IP 20	1.26
UEKDD1-2 25-V E	81	90	186	186	165 x 165	22	1.5	IP 30	IP 20	1.41

has accessories included:

- UGD1-2-V 2** Rubber seal, square (Page C41)
- 2 x UDBS 40-80** Claw for plastic dummy cover (Page C12)

has optional accessories:

- UGR1-4** Mounting box, round, pre-assembled (Page C58)



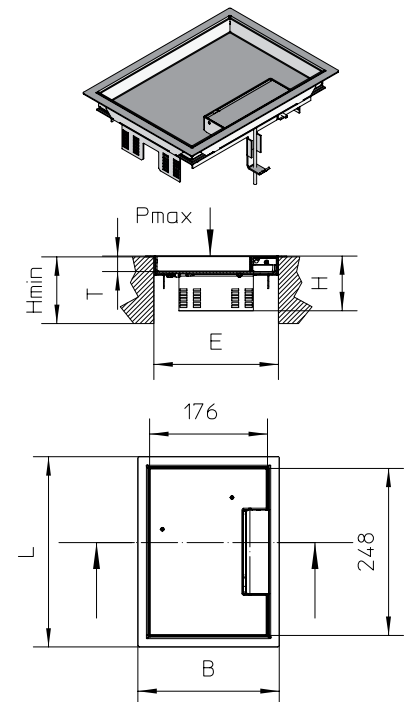
UEKDD2 V E Cartridge installation unit - hinged cover, 2x, square

Angular hinged cover installation unit with stainless steel floor covering protection frame for the use of two mounting boxes.

Article number	H mm	H _{min} mm	W mm	L mm	E mm	D mm	P _{max} kN	IP _n	IP _g	G kg
E										
UEKDD2 15-V E	72	90	210	283	261 x 186	12	1.5	IP 30	IP 20	1.71
UEKDD2 25-V E	82	100	210	283	261 x 186	22	1.5	IP 30	IP 20	2.50

has accessories included:

- 1 x UGD2-V 2** Rubber seal, square (Page C37)
- 2 x UDBS 40-80** Claw for plastic dummy cover (Page C12)



Installation units for screed and false floors

Cartridge installation units made from stainless steel | Cartridge installation unit made from stainless steel, angular

UEKDD V E Cartridge installation unit - hinged cover, 3x, square

Angular hinged cover installation unit with stainless steel floor covering protection frame.

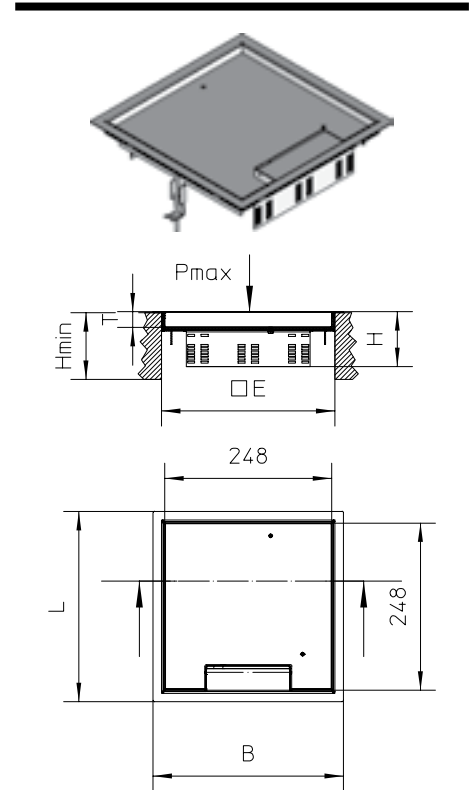
Article number	H mm	H _{min} mm	W mm	L mm	E mm	D mm	P _{max} kN	IP _n	IP _g	G kg
E										
UEKDD 15-V E	72	90	283	283	261 x 261	12	2	IP 30	IP 20	1.60
UEKDD 25-V E	82	100	283	283	261 x 261	22	2	IP 30	IP 20	2.80

has accessories included:

- 1 x **UGD-V 2** Rubber seal, square (Page C36)
- 2 x **UDBS 40-80** Claw for plastic dummy cover (Page C12)

has optional accessories:

- UEKDE V** Cover insert, stainless steel outlet cartridge, 3x (Page C34)



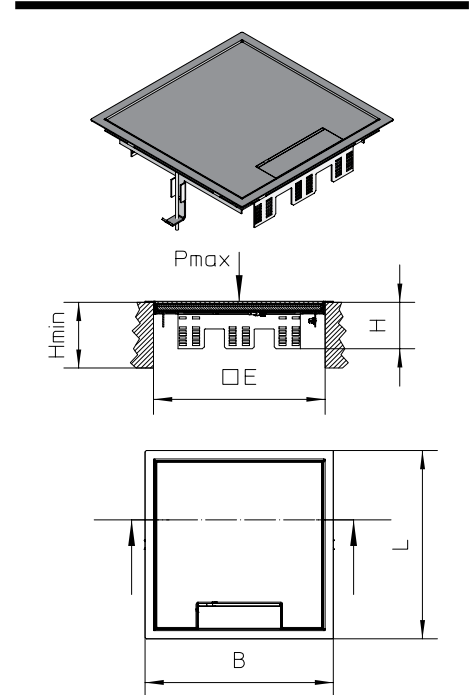
UEKDD VP E Stainless steel hinged cover cartridge, 3x, angular, flat

Square installation unit with stainless steel carpet protection frame. Flat blasted surface.

Article number	H mm	H _{min} mm	W mm	L mm	E mm	P _{max} kN	IP _n	IP _g	G kg
E									
UEKDD 15-VP E	72	90	283	283	261 x 261	2	IP 30	IP 20	5.00

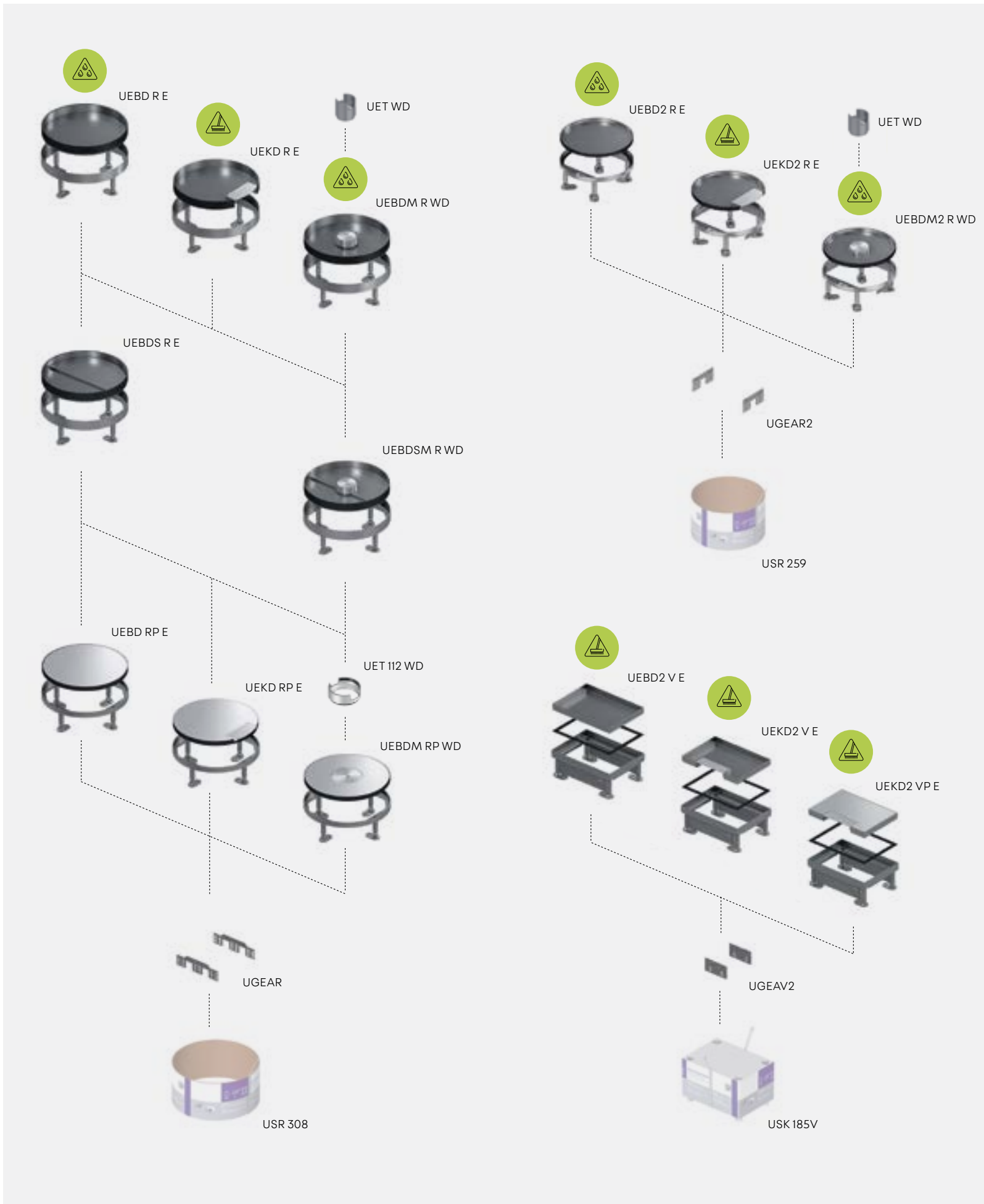
has accessories included:

- 1 x **UGD-V 2** Rubber seal, square (Page C36)
- 2 x **UDBS 40-80** Claw for plastic dummy cover (Page C12)



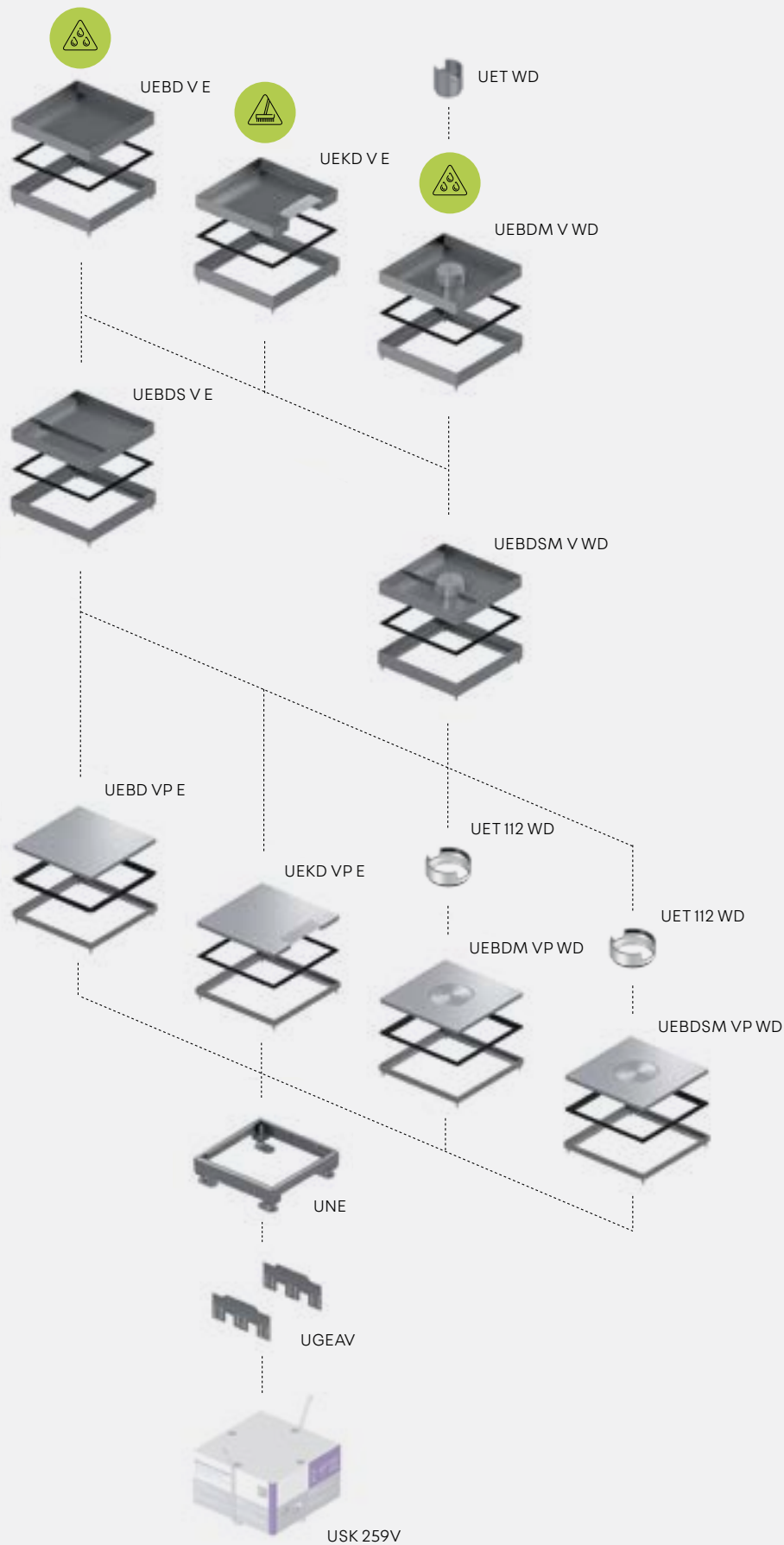
Installation units for screed and false floors

Installation units made from stainless steel | System overview



Installation units for screed and false floors

Installation units made from stainless steel | System overview



Installation units for screed and false floors

Installation units made from stainless steel | Cartridge unit, round

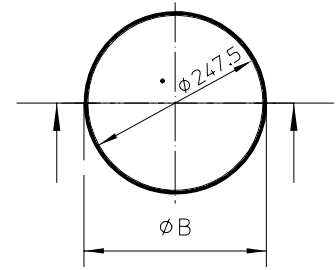
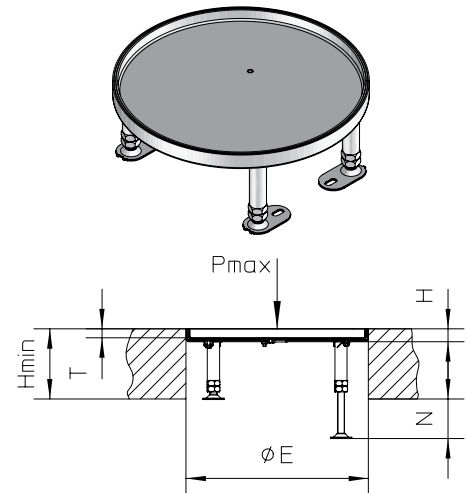
UEBD2 R E Stainless steel dummy cover unit, 2x, round

Round cartridge made from stainless steel sheet with abutting edge.

Article number	H mm	H _{min} mm	N mm	W mm	E mm	D mm	P _{max} kN	IP _N	G kg
S									
UEBD2 15-R E	18	100	55	258	260	12	2	IP 54	1.82
UEBD2 25-R E	28	110	55	258	260	22	2	IP 54	2.04

has optional accessories:

UBDSL	Levelling base	(Page A14, C38)
UGM SLF	Subsonic noise sleeve socket - levelling base	(Page A14, C38, C63)



UEKD2 R E Stainless steel hinged cover unit, 2x, round

Round cartridge made from stainless steel sheet with abutting edge.

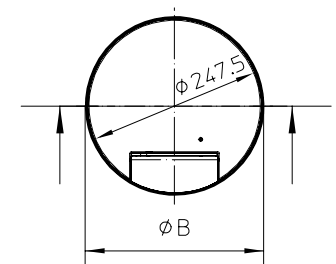
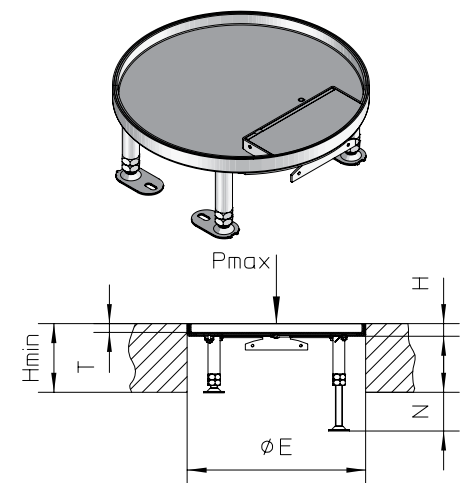
Article number	H mm	H _{min} mm	N mm	W mm	E mm	D mm	P _{max} kN	IP _n	IP _g	G kg
E G										
UEKD2 15-R E	18	100	55	258	260	12	2	IP 30	IP 20	2.05
UEKD2 25-R E	28	110	55	258	260	22	2	IP 30	IP 20	2.31

has accessories included:

1 x UGD-R 10-2	Rubber seal, round	(Page C36)
-----------------------	--------------------	------------

has optional accessories:

UGEAR 2	Snap-in ladder set, round	(Page C24)
UBDSL	Levelling base	(Page A14, C38)
UGM SLF	Subsonic noise sleeve socket - levelling base	(Page A14, C38, C63)



Installation units for screed and false floors

Installation units made from stainless steel | Cartridge unit, round

UEBDM2 R WD Stainless steel tube cover unit, 2x, round

Round cartridge made from stainless steel sheet with abutting edge. For rooms with wet-clean floor coverings. Designed for office traffic loads. Assembly instructions can be found in the Assembly chapter.



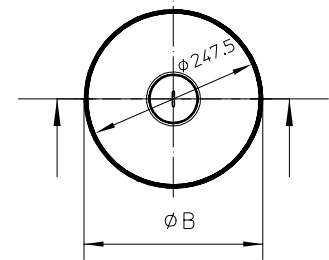
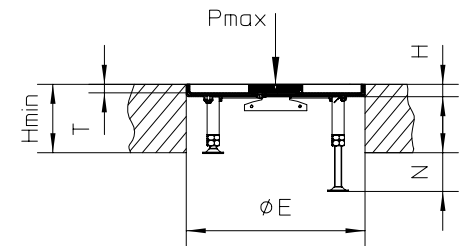
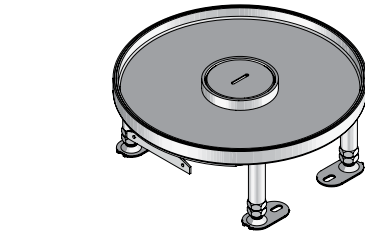
Article number	H mm	H _{min} mm	N mm	W mm	E mm	D mm	P _{max} kN	IP _n	IP _g	G kg
E G										
UEBDM2 15-R-WD	18	100	55	258	260	12	2	IP 54	IP 22	2.21
UEBDM2 25-R-WD	28	110	55	258	260	22	2	IP 54	IP 22	2.24

has accessories included:

1 x UETD-R-WD	Tube cover	(Page C41)
1 x UGD-R 10-2	Rubber seal, round	(Page C36)
1 x UGDB15-R3001.8	Rubber seal, round	(Page C36)

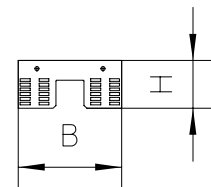
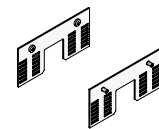
has optional accessories:

UGEAR 2	Snap-in ladder set, round	(Page C24)
UET WD	Tube	(Page C35)
UBDSL F	Levelling base	(Page A14, C38)
UGM SLF	Subsonic noise sleeve socket - levelling base	(Page A14, C38, C63)



UGEAR2 Snap-in ladder set for stainless steel unit, 2x, round

Article number	H mm	W mm	Locking range mm	Mounting boxes	G kg
S					
UGEAR2-50S	51	110	25	2x UG	0.10
UGEAR2-80S	81	110	35	2x UG	0.17



Installation units for screed and false floors

Installation units made from stainless steel | Cartridge unit, round

UEBD R E Dummy cartridge unit, 3x, round, height-adjustable

Round dummy cartridge unit made from stainless steel sheet with abutting edge.

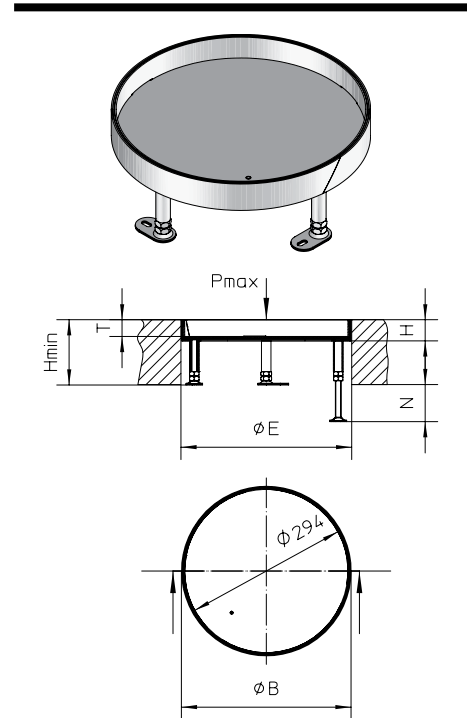
Article number	H mm	H _{min} mm	N mm	W mm	E mm	D mm	P _{max} kN	IP _n	G kg
UEBD15-R E	21	100	+ 55	305	307	12	2	IP 54	3.14
UEBD35-R E	38	117	+ 55	305	307	30	2	IP 54	3.67

has accessories included:

1 x UGD-R10-2	Rubber seal, round	(Page C36)
1 x UGEAR-ELS	Earthing bracket	(Page C38)
1 x UGDB15-R3001.8	Rubber seal, round	(Page C36)

has optional accessories:

UEBDE R	Cover insert, stainless steel dummy cartridge, 3x	(Page C34)
UBDSL F	Levelling base	(Page A14, C38)
UGM SLF	Subsonic noise sleeve socket - levelling base	(Page A14, C38, C63)



UEBDS R E Heavy-duty dummy cartridge unit, 3x, round, height-adjustable

Round heavy-duty dummy cartridge unit made from stainless steel sheet with abutting edge.

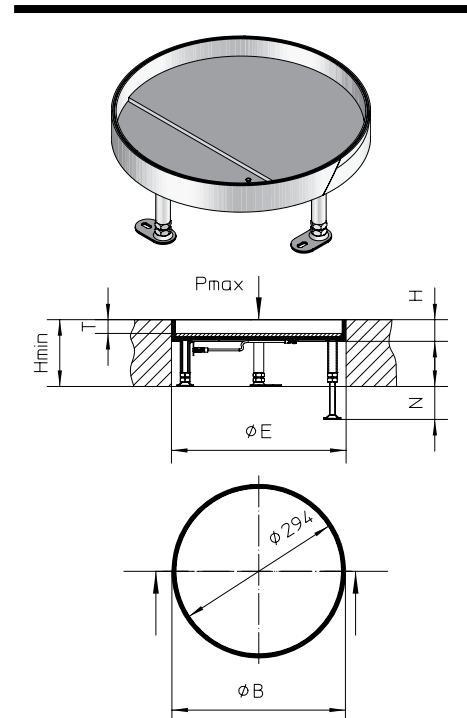
Article number	H mm	H _{min} mm	N mm	W mm	E mm	D mm	P _{max} kN	IP _n	G kg
UEBDS35-R6 E	38	117	+ 55	305	307	24	20	IP 54	6.93

has accessories included:

1 x UGEAR-ELS	Earthing bracket	(Page C38)
1 x UGD-R10-2	Rubber seal, round	(Page C36)
1 x UGDB15-R3001.8	Rubber seal, round	(Page C36)

has optional accessories:

UBDSL F	Levelling base	(Page A14, C38)
UGM SLF	Subsonic noise sleeve socket - levelling base	(Page A14, C38, C63)



Installation units for screed and false floors

Installation units made from stainless steel | Cartridge unit, round

UEBD RP E Dummy cartridge unit, 3x, flat, round

Round dummy cartridge unit made from stainless steel sheet, glass bead-blasted, flat with abutting edge.

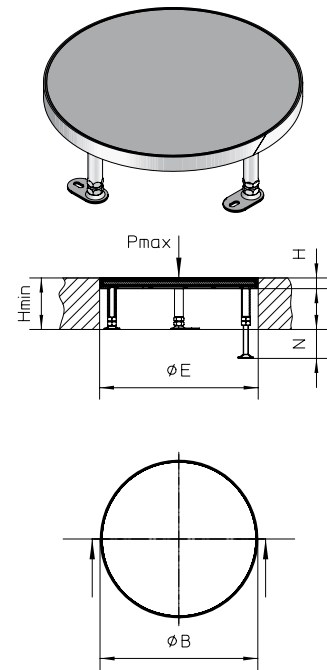
Article number	H mm	H _{min} mm	N mm	W mm	E mm	P _{max} kN	IP _n	IP _g	G kg
E G									
UEBD15-RP E	21	100	+ 55	305	307	4	IP 54		3.20

has accessories included:

- 1 x **UGEAR-ELS** Earthing bracket (Page C38)
- 1 x **UGD-R 10-2** Rubber seal, round (Page C36)
- 1 x **UGDB15-R3001.8** Rubber seal, round (Page C36)

has optional accessories:

- UBDSL F** Levelling base (Page A14, C38)
- UGM SLF** Subsonic noise sleeve socket - levelling base (Page A14, C38, C63)



UEKD R E Cable outlet cartridge unit, 3x, round, height-adjustable

Round cable outlet cartridge unit made from stainless steel sheet with abutting edge.

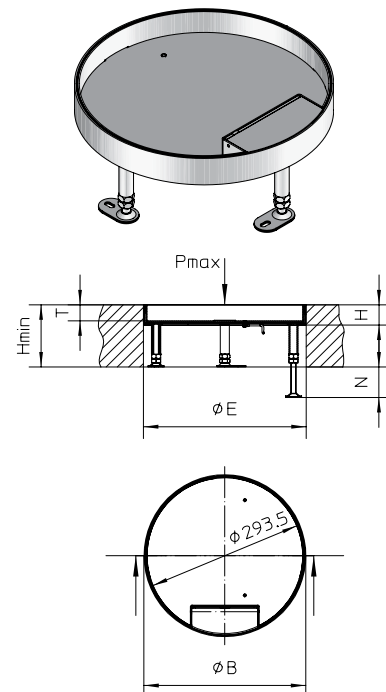
Article number	H mm	H _{min} mm	N mm	W mm	E mm	D mm	P _{max} kN	IP _n	IP _g	G kg
E G										
UEKD15-R E	21	100	+ 55	305	307	12	2	IP 30	IP 20	3.20
UEKD35-R E	38	117	+ 55	305	307	30	2	IP 30	IP 20	3.46

has accessories included:

- 1 x **UGD-R 10-2** Rubber seal, round (Page C36)

has optional accessories:

- UEKDE R** Cover insert, stainless steel outlet cartridge, 3x (Page C34)
- UGEAR** Snap-in ladder set, round (Page C24)
- UBDSL F** Levelling base (Page A14, C38)
- UGM SLF** Subsonic noise sleeve socket - levelling base (Page A14, C38, C63)



Installation units for screed and false floors

Installation units made from stainless steel | Cartridge unit, round

UEKD RP E Cable outlet cartridge unit, 3x, flat, round

Round cable outlet cartridge unit made from stainless steel sheet, glass bead-blasted, flat with abutting edge.



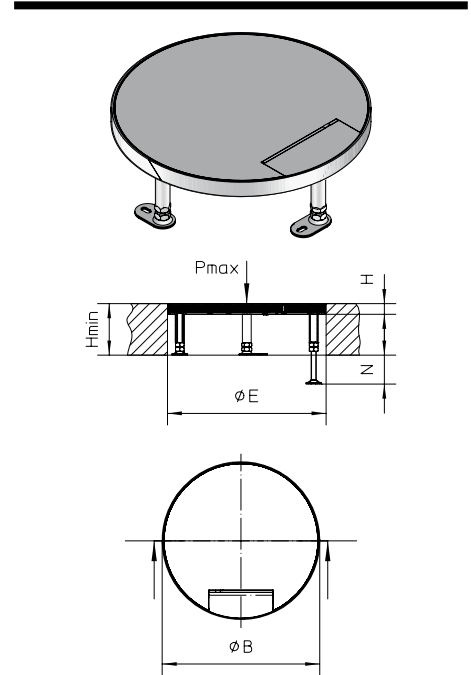
Article number	H mm	H _{min} mm	N mm	W mm	E mm	P _{max} kN	IP _n	IP _g	G kg
E G									
UEKD15-RP E	21	100	+ 55	305	307	4	IP 30	IP 20	3.25

has accessories included:

1 x **UGD-R 10-2** Rubber seal, round (Page C36)

has optional accessories:

UGEAR Snap-in ladder set, round (Page C24)
UBDSL Levelling base (Page A14, C38)
UGM SLF Subsonic noise sleeve socket - levelling base (Page A14, C38, C63)



UEBDM R WD Tube cartridge unit, 3x, round, height-adjustable

Round tube cartridge unit made from stainless steel sheet with abutting edge.



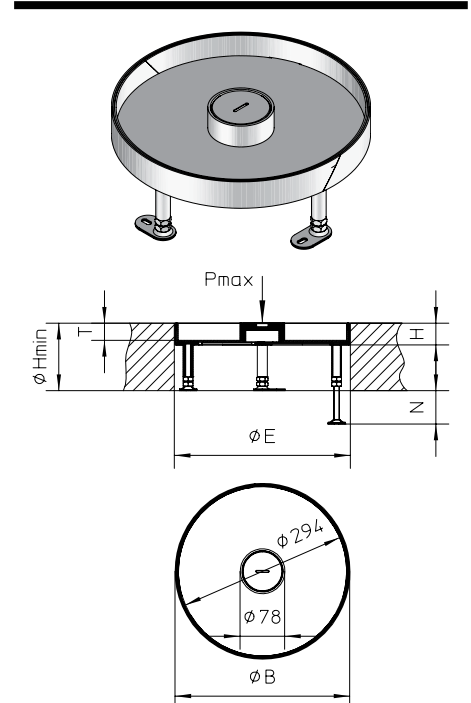
Article number	H mm	H _{min} mm	N mm	W mm	E mm	D mm	P _{max} kN	IP _n	IP _g	G kg
AL E G										
UEBDM 15-R-WD	21	100	+ 55	305	307	12	2	IP 54	IP 22	3.20
UEBDM 35-R-WD	38	117	+ 55	305	307	30	2	IP 54	IP 22	3.82

has accessories included:

1 x **UETD-R-WD** Tube cover (Page C35)
 1 x **UGDB15-R3001.8** Rubber seal, round (Page C36)
 1 x **UGD-R 10-2** Rubber seal, round (Page C36)

has optional accessories:

UEBDM R Cover insert, stainless steel tube outlet cartridge, 3x (Page C34)
UGEAR Snap-in ladder set, round (Page C24)
UET WD Tube (Page C35)
UBDSL Levelling base (Page A14, C38)
UGM SLF Subsonic noise sleeve socket - levelling base (Page A14, C38, C63)



Installation units for screed and false floors

Installation units made from stainless steel | Cartridge unit, round

UEBDSM R WD Heavy-duty tube cartridge unit, 3x, round, height-adjustable

Round heavy-duty tube cartridge unit made from stainless steel sheet with abutting edge.



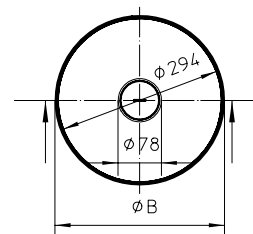
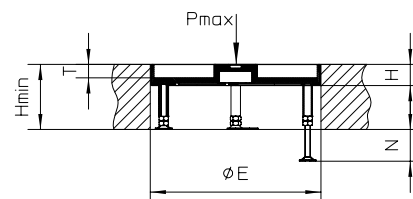
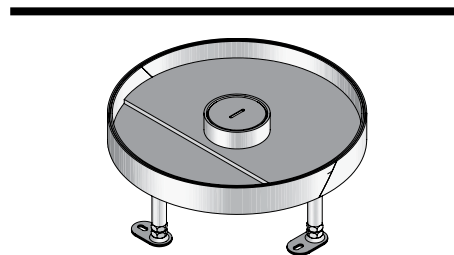
Article number	H mm	H _{min} mm	N mm	W mm	E mm	D mm	P _{max} kN	IP _n	IP _g	G kg
AL E G										
UEBDSM 35-R6-WD	38	117	+ 55	305	307	24	20	IP 54	IP 22	6.79

has accessories included:

1 x UETD-R-WD	Tube cover	(Page C35)
1 x UGD-R 10-2	Rubber seal, round	(Page C36)
1 x UGDB15-R3001.8	Rubber seal, round	(Page C36)

has optional accessories:

UGEAR	Snap-in ladder set, round	(Page C24)
UET WD	Tube	(Page C35)
UBDSL F	Levelling base	(Page A14, C38)
UGM SLF	Subsonic noise sleeve socket - levelling base	(Page A14, C38, C63)



Installation units for screed and false floors

Installation units made from stainless steel | Cartridge unit, round

UEBDM RP WD Tube cartridge unit, 3x, flat, round

Round tube cartridge unit made from stainless steel sheet, glass bead-blasted, flat with abutting edge.

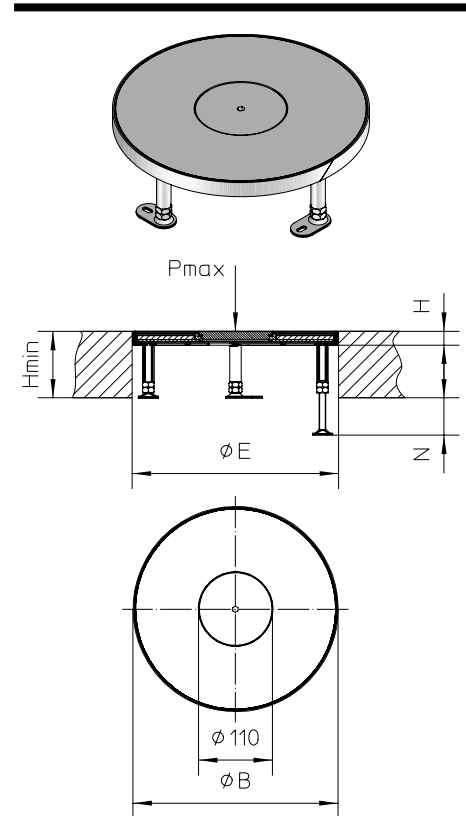
Article number	H mm	H _{min} mm	N mm	W mm	E mm	P _{max} kN	IP _n	IP _g	G kg
E G									
UEBDM15-RP-WD	21	100	+ 55	305	307	4	IP 54	IP 22	3.30

has accessories included:

- 1 x **UETD112-R-WD** Tube cover (Page C36)
- 1 x **UGD-R10-2** Rubber seal, round (Page C36)
- 1 x **UGDB15-R3001.8** Rubber seal, round (Page C36)

has optional accessories:

- UET112 WD** Tube (Page C35)
- UGEAR** Snap-in ladder set, round (Page C24)
- UBDSLFL** Levelling base (Page A14, C38)
- UGM SLF** Subsonic noise sleeve socket - levelling base (Page A14, C38, C63)



UEBDSM RP WD Heavy-duty tube cartridge unit, 3x, flat, round, height-adjustable

Round tube cartridge unit made from stainless steel sheet, glass bead-blasted, flat with abutting edge.

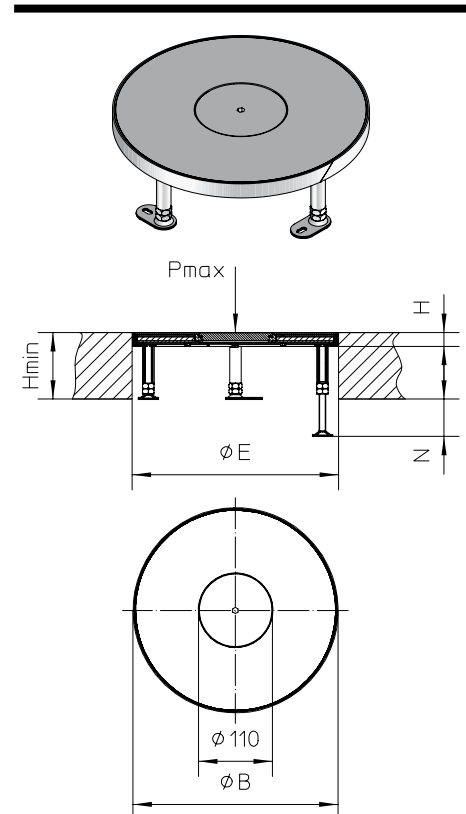
Article number	H mm	H _{min} mm	N mm	W mm	E mm	P _{max} kN	IP _n	IP _g	G kg
E G									
UEBDSM15-RP8-WD	21	100	+ 55	305	307	20	IP 54	IP 22	3.30

has accessories included:

- 1 x **UETD112-R-WD** Tube cover (Page C36)
- 1 x **UGD-R10-2** Rubber seal, round (Page C36)
- 1 x **UGDB15-R3001.8** Rubber seal, round (Page C36)

has optional accessories:

- UET112 WD** Tube (Page C35)
- UGEAR** Snap-in ladder set, round (Page C24)
- UBDSLFL** Levelling base (Page A14, C38)
- UGM SLF** Subsonic noise sleeve socket - levelling base (Page A14, C38, C63)

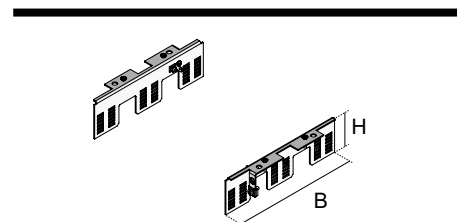


Installation units for screed and false floors

Installation units made from stainless steel | Cartridge unit, round

UGEAR Snap-in ladder set, round

Article number	H mm	W mm	Locking range mm	G kg
S				
UGEAR-50S	55	190	25	0.28
UGEAR-80S	84	190	35	0.34

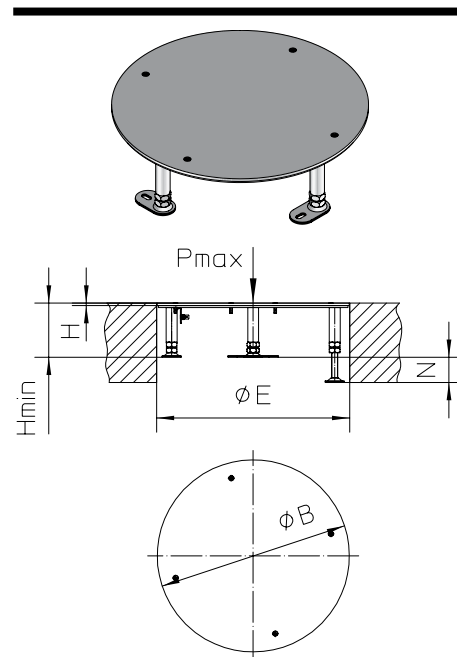


UNE 305R Dummy cover, 3x, round

Article number	H mm	H _{min} mm	N mm	W mm	E mm	P _{max} kN	G kg
S							
UNE 305R-90S	4	90	55	305	307	2	3.25

has optional accessories:

UBDSLFL Levelling base (Page A14, C38)



Installation units for screed and false floors

Installation units made from stainless steel | Cartridge unit, angular

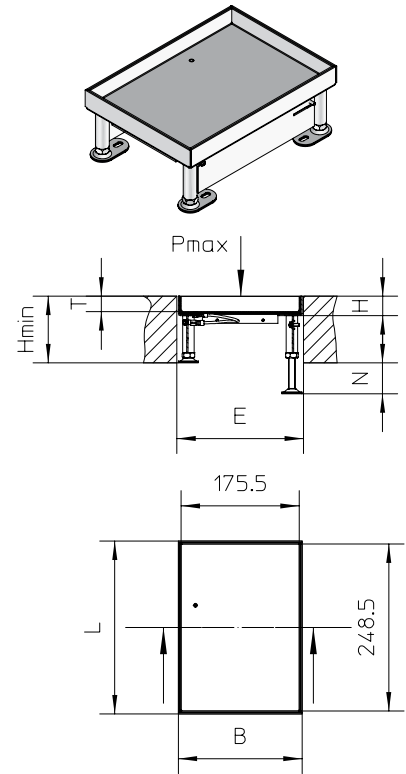
UEBD2 V E Dummy cartridge unit, 2x, square, height-adjustable

Angular dummy cartridge unit made from stainless steel sheet with abutting edge.

Article number	H mm	H _{min} mm	N mm	W mm	L mm	E mm	D mm	P _{max} kN	IP _n	G kg
E										
UEBD2 15-V E	19	90	+45	258	184	261 x 186	12	1.5	IP 30	2.20
UEBD2 25-V E	29	100	+45	258	184	261 x 186	22	1.5	IP 30	2.50

has optional accessories:

UBDSL F	Levelling base	(Page A14, C38)
UGM SLF	Subsonic noise sleeve socket - levelling base	(Page A14, C38, C63)
UGD2-V 2	Rubber seal, square	(Page C43)



UBP V Dummy cover, 3x, square

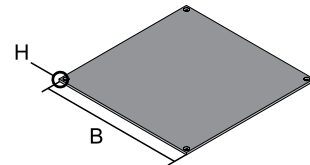
Article number	H mm	H _{min} mm	W mm	L mm	E mm	P _{max} kN	G kg
S							
UBP-V 4S	4	65	258	258	261 x 261	2	2.60

has accessories included:

4 x UKS M4x16E	Phillips screw	(Page C37)
-----------------------	----------------	------------

has optional accessories:

UNE	Levelling unit, dummy, 3x, square	(Page C33)
UGD3 V	Rubber seal, square	(Page C37)



Installation units for screed and false floors

Installation units made from stainless steel | Cartridge unit, angular

UEBD V E Dummy cartridge unit, 3x, square

Angular dummy cartridge made from stainless steel sheet with abutting edge.

Article number	H mm	H _{min} mm	W mm	L mm	E mm	D mm	P _{max} kN	IP _n	G kg
E G									
UEBD 15-V E	19	85	258	258	261 x 261	12	2	IP 54	1.75
UEBD 25-V E	29	95	258	258	261 x 261	22	2	IP 54	1.98
UEBD 35-V E	39	105	258	258	261 x 261	32	2	IP 54	2.25
UEBD 45-V E	49	115	258	258	261 x 261	42	2	IP 54	2.51

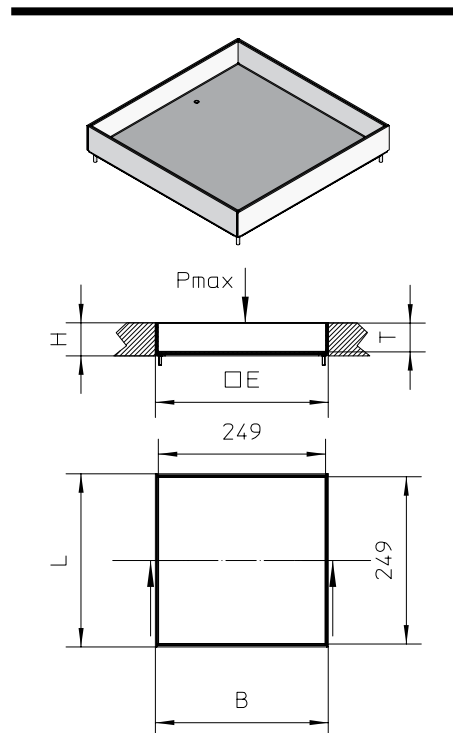
MS G									
UEBD 25-V MS	29	95	258	258	261 x 261	16	2	IP 54	4.97
UEBD 35-V MS	39	105	258	258	261 x 261	26	2	IP 54	5.31

has accessories included:

1 x UGD3-V 2	Rubber seal, square	(Page C37)
4 x UKS M4x16E	Phillips screw	(Page C37)

has optional accessories:

UEBDE V	Cover insert, stainless steel dummy cartridge, 3x	(Page C34)
UNE	Levelling unit, dummy, 3x, square	(Page C33)



UEBDS V E Heavy-duty dummy cartridge unit, 3x, square

Angular heavy-duty dummy cartridge made from stainless steel sheet with abutting edge.

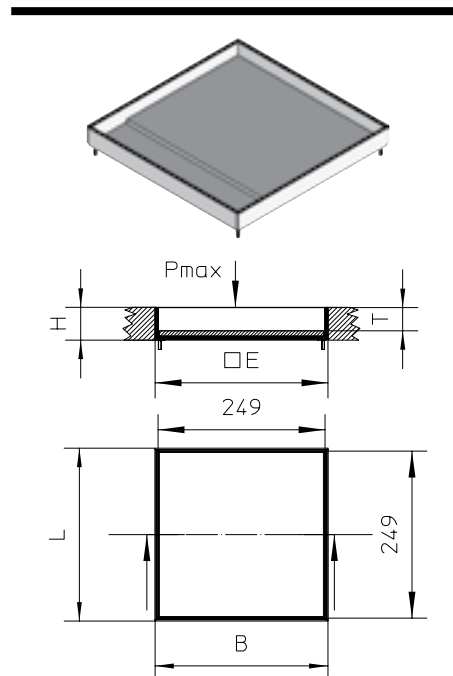
Article number	H mm	H _{min} mm	W mm	L mm	E mm	D mm	P _{max} kN	IP _n	G kg
E G									
UEBDS 25-V6 E	29	95	258	258	261 x 261	16	10	IP 54	4.80
UEBDS 35-V6 E	39	105	258	258	261 x 261	26	10	IP 54	5.10
UEBDS 45-V6 E	49	115	258	258	261 x 261	36	10	IP 54	5.30
UEBDS 35-V8 E	39	105	258	258	261 x 261	24	20	IP 54	6.00
UEBDS 45-V8 E	49	115	258	258	261 x 261	34	20	IP 54	6.20

has accessories included:

1 x UGD3-V 2	Rubber seal, square	(Page C37)
4 x UKS M4x16E	Phillips screw	(Page C37)

has optional accessories:

UNE	Levelling unit, dummy, 3x, square	(Page C33)
------------	-----------------------------------	------------



Installation units for screed and false floors

Installation units made from stainless steel | Cartridge unit, angular

UEBD VP E Dummy cartridge unit, 3x, flat, square

Angular dummy cartridge made from stainless steel sheet, glass bead-blasted with abutting edge.



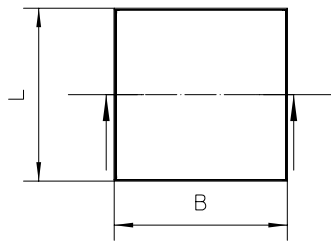
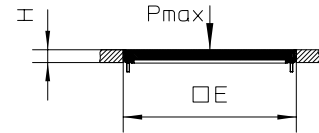
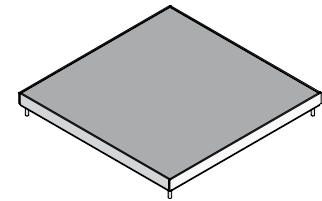
Article number	H mm	H _{min} mm	W mm	L mm	E mm	P _{max} kN	IP _n	G kg
E G								
UEBD15-VP E	19	85	258	258	261 x 261	4	IP 54	3.42

has accessories included:

- 1 x **UGD3-V 2** Rubber seal, square (Page C37)
- 1 x **UKS M4x16E** Phillips screw (Page C37)

has optional accessories:

- UNE** Levelling unit, dummy, 3x, square (Page C33)



UEKD2 V E Cable outlet cartridge unit, 2x, square, height-adjustable

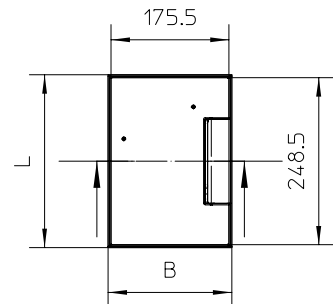
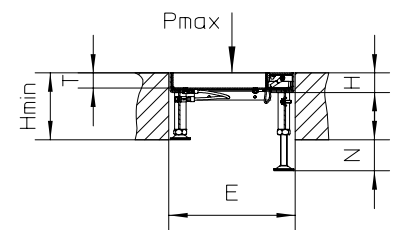
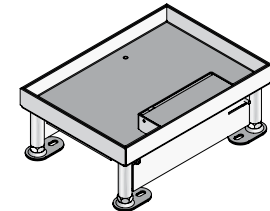
Angular cable outlet cartridge unit made from stainless steel sheet with abutting edge.



Article number	H mm	H _{min} mm	N mm	W mm	L mm	E mm	D mm	P _{max} kN	IP _n	IP _g	G kg
E											
UEKD215-V E	19	90	+ 45	258	184	261 x 186	12	1.5	IP 30	IP 20	2.40
UEKD2 25-V E	29	100	+ 45	258	184	261 x 186	22	1.5	IP 30	IP 20	2.60

has optional accessories:

- UGEAV2** Snap-in ladder set, square (Page C32)
- UBDSL F** Levelling base (Page A14, C38)
- UGM SLF** Subsonic noise sleeve socket - levelling base (Page A14, C38, C63)
- UGD2-V 2** Rubber seal, square (Page C43)



Installation units for screed and false floors

Installation units made from stainless steel | Cartridge unit, angular

UEKD2 VP E Cable outlet cartridge unit, 2x, flat, square, height-adjustable

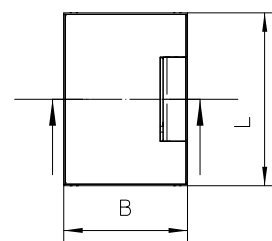
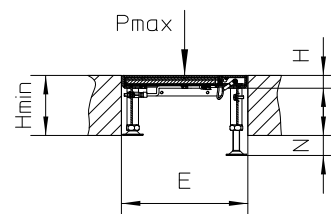
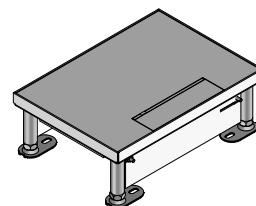
Angular cable outlet cartridge unit made from stainless steel sheet with abutting edge.



Article number	H mm	H _{min} mm	N mm	W mm	L mm	E mm	P _{max} kN	IP _n	IP _g	G kg
E										
UEKD2 15-VP E	19	90	+45	258	184	261x186	1.5	IP 30	IP 20	4.16

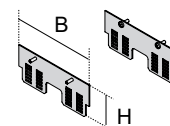
has optional accessories:

UGEAV2	Snap-in ladder set, square	(Page C32)
UBDSLFL	Levelling base	(Page A14, C38)
UGM SLF	Subsonic noise sleeve socket - levelling base	(Page A14, C38, C63)



UGEAV2 Snap-in ladder set, square

Article number	H mm	W mm	Locking range mm	G kg
S				
UGEAV2 50S	55	131	30	0.13
UGEAV2 80S	85	131	25	0.21



Installation units for screed and false floors

Installation units made from stainless steel | Cartridge unit, angular

UEKD V E Cable outlet cartridge unit, 3x, square

Angular cable outlet cartridge made from stainless steel sheet with abutting edge.

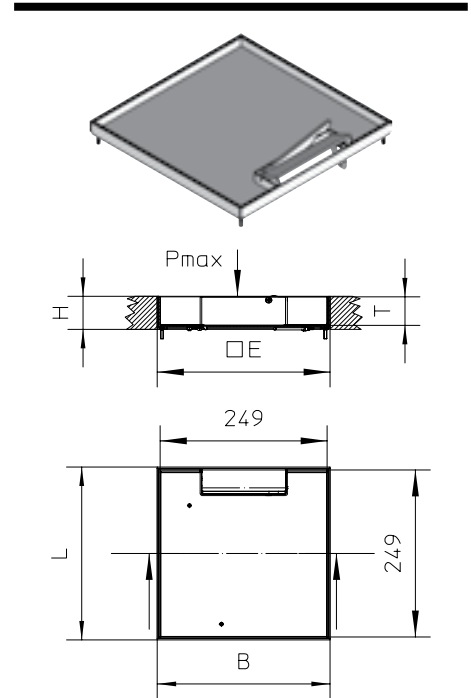
Article number	H mm	H _{min} mm	W mm	L mm	E mm	D mm	P _{max} kN	IP _n	IP _g	G kg
E G										
UEKD15-V E	19	85	258	258	261 x 261	12	2	IP 30	IP 20	1.80
UEKD 25-V E	29	95	258	258	261 x 261	22	2	IP 30	IP 20	2.00
UEKD 35-V E	39	105	258	258	261 x 261	32	2	IP 30	IP 20	2.20
UEKD 45-V E	49	115	258	258	261 x 261	42	2	IP 30	IP 20	2.40
MS G										
UEKD 25-V MS	29	95	258	258	261 x 261	16	2	IP 30	IP 20	2.00
UEKD 35-V MS	39	105	258	258	261 x 261	26	2	IP 30	IP 20	2.20

has accessories included:

4 x **UKS M4x16E** Phillips screw (Page C37)
 1 x **UGD-V 2** Rubber seal, square (Page C36)

has optional accessories:

UEKDE V Cover insert, stainless steel outlet cartridge, 3x (Page C34)
UNE Levelling unit, dummy, 3x, square (Page C33)



UEKD VP E Cable outlet cartridge unit, 3x, flat, square

Angular cable outlet cartridge made from stainless steel sheet, glass bead-blasted, flat with abutting edge.

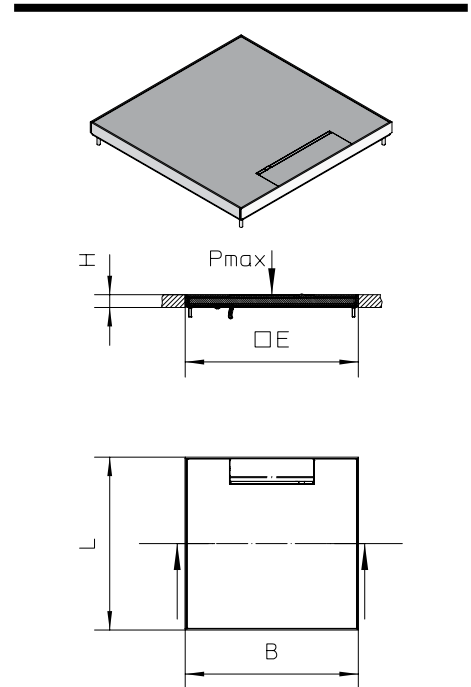
Article number	H mm	H _{min} mm	W mm	L mm	E mm	P _{max} kN	IP _n	IP _g	G kg
E G									
UEKD15-VP E	19	85	258	258	261 x 261	4	IP 30	IP 20	3.38

has accessories included:

1 x **UGD-V 2** Rubber seal, square (Page C36)
 1 x **UKS M4x16E** Phillips screw (Page C37)

has optional accessories:

UNE Levelling unit, dummy, 3x, square (Page C33)



Installation units for screed and false floors

Installation units made from stainless steel | Cartridge unit, angular

UEBDM V WD Tube cartridge unit, 3x, square

Angular tube cartridge made from stainless steel sheet with abutting edge.

Article number	H mm	H _{min} mm	W mm	L mm	E mm	D mm	P _{max} kN	IP _n	IP _g	G kg
AL E G										
UEBDM 15-V-WD	19	85	258	258	261 x 261	12	2	IP 54	IP 22	1.90
UEBDM 25-V-WD	29	95	258	258	261 x 261	22	2	IP 54	IP 22	2.10
UEBDM 35-V-WD	39	105	258	258	261 x 261	32	2	IP 54	IP 22	2.30
UEBDM 45-V-WD	49	115	258	258	261 x 261	42	2	IP 54	IP 22	2.60

AL | MS | G

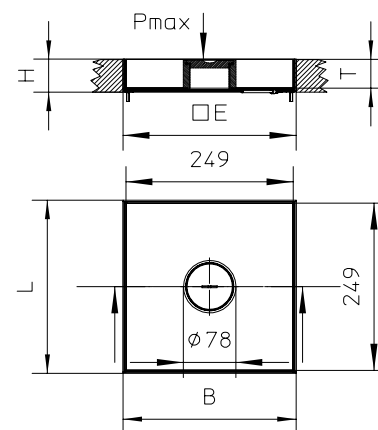
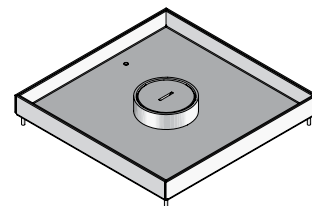
UEBDM 25-V-WD MS	29	95	258	258	261 x 261	16	2	IP 54	IP 22	2.10
UEBDM 35-V-WD MS	39	105	258	258	261 x 261	26	2	IP 54	IP 22	2.30

has accessories included:

1 x UETD-R-WD	Tube cover	(Page C35)
1 x UGD3-V 2	Rubber seal, square	(Page C37)
4 x UKS M4x16E	Phillips screw	(Page C37)

has optional accessories:

UEBDME V	Cover insert, stainless steel tube outlet cartridge,	(Page C35)
UET WD	3x Tube	(Page C35)
UNE	Levelling unit, dummy, 3x, square	(Page C33)



UEBDMS V WD Heavy-duty tube cartridge unit, 3x, square

Angular heavy-duty tube cartridge made from stainless steel sheet with abutting edge.

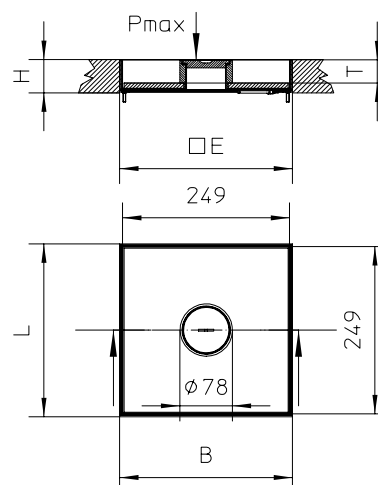
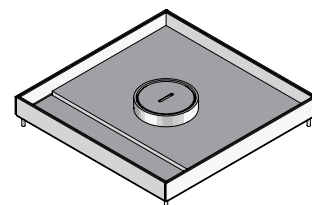
Article number	H mm	H _{min} mm	W mm	L mm	E mm	D mm	P _{max} kN	IP _n	IP _g	G kg
AL E G										
UEBDMS 25-V6-WD	29	95	258	258	261 x 261	16	10	IP 54	IP 22	4.70
UEBDMS 35-V6-WD	39	105	258	258	261 x 261	26	10	IP 54	IP 22	5.08
UEBDMS 45-V6-WD	49	115	258	258	261 x 261	36	10	IP 54	IP 22	5.40
UEBDMS 35-V8-WD	39	105	258	258	261 x 261	24	20	IP 54	IP 22	6.10
UEBDMS 45-V8-WD	49	115	258	258	261 x 261	34	20	IP 54	IP 22	6.40

has accessories included:

1 x UETD-R-WD	Tube cover	(Page C35)
1 x UGD3-V 2	Rubber seal, square	(Page C37)
4 x UKS M4x16E	Phillips screw	(Page C37)

has optional accessories:

UET WD	Tube	(Page C35)
UNE	Levelling unit, dummy, 3x, square	(Page C33)



Installation units for screed and false floors

Installation units made from stainless steel | Cartridge unit, angular

UEBDM VP WD Tube cartridge unit, 3x, flat, square

Angular tube cartridge made from stainless steel sheet, glass bead-blasted, flat with abutting edge.



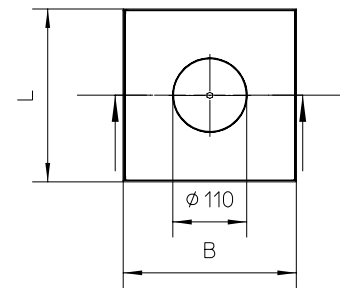
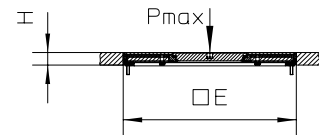
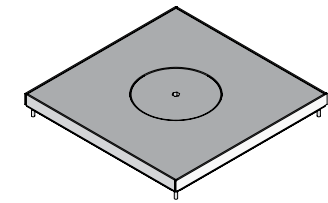
Article number	H mm	H _{min} mm	W mm	L mm	E mm	P _{max} kN	IP _n	IP _g	G kg
E G									
UEBDM 15-VP-WD	19	85	258	258	261 x 261	4	IP 54	IP 22	3.39

has accessories included:

- 1 x **UETD112-R-WD** Tube cover (Page C36)
- 1 x **UGD3-V 2** Rubber seal, square (Page C37)
- 4 x **UKS M4x16E** Phillips screw (Page C37)

has optional accessories:

- UET112** Tube (Page C35)
- UNE** Levelling unit, dummy, 3x, square (Page C33)



UEBDSM VP WD Heavy-duty tube cartridge unit, 3x, flat, square

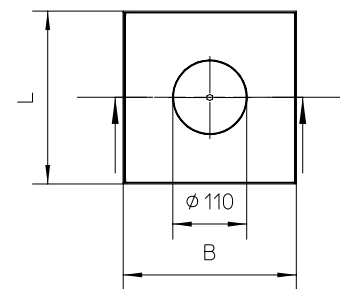
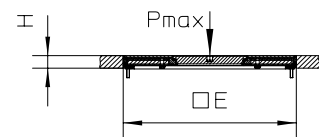
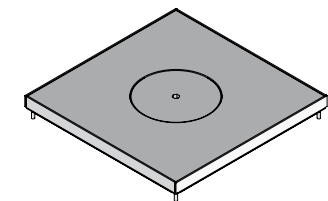
Square cartridge made from stainless steel sheet with abutting edge for mounting on levelling units in floor sockets, assembly covers and raised or false floor openings.



Article number	H mm	H _{min} mm	W mm	L mm	E mm	P _{max} kN	IP _n	IP _g	G kg
E G									
UEBDSM 15-VP8-WD	19	85	258	258	261 x 261	20	IP 54		6.72

has accessories included:

- 1 x **UETD112-R-WD** Tube cover (Page C36)
- 1 x **UGD3-V 2** Rubber seal, square (Page C37)
- 4 x **UKS M4x16E** Phillips screw (Page C37)



Installation units for screed and false floors

Installation units made from stainless steel | Cartridge unit, angular

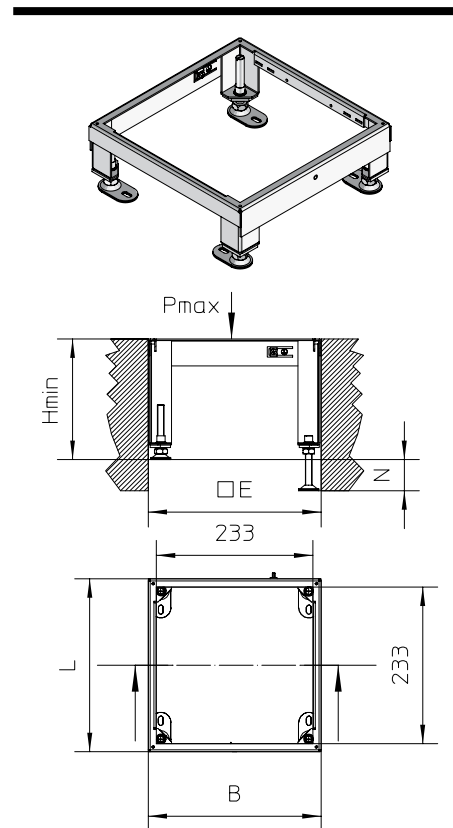
UNE Levelling unit, dummy, 3x, square

Angular levelling unit made from sheet steel with internal height adjustment for use in conjunction with angular stainless steel cartridges.

Article number	H _{min} mm	N mm	W mm	L mm	E mm	P _{max} kN	G kg
S							
UNE 260V-30S	65	+ 25	258	258	261 x 261	20	0.97
UNE 260V-60S	90	+ 45	258	258	261 x 261	20	1.00
UNE 260V-100S	135	+ 45	258	258	261 x 261	20	1.04
UNE 260V-155S	155	+ 95	258	258	261 x 261	10	1.10
UNE 260V-210S	212	+ 100	258	258	261 x 261	10	2.03

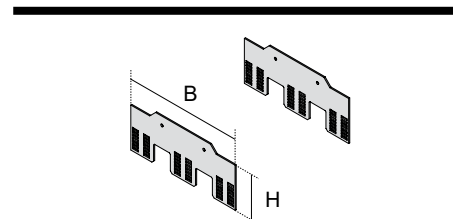
has optional accessories:

UGEAV	Snap-in ladder set, square	(Page C33)
UGM SLF	Subsonic noise sleeve socket - levelling base	(Page A14, C38, C63)



UGEAV Snap-in ladder set, square

Article number	H mm	W mm	Locking range mm	G kg
S				
UGEAV-50S	50	186	25	0.24
UGEAV-80S	76.5	186	40	0.38



Installation units for screed and false floors

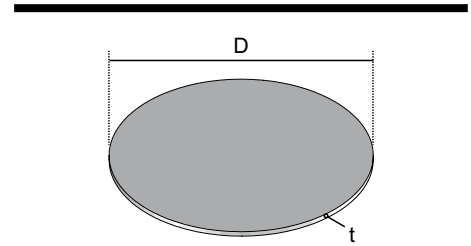
Installation units made from stainless steel | Accessories for stainless steel cartridges

UEBDE R Cover insert, stainless steel dummy cartridge, 3x

Article number	D mm	t mm	G kg
PVC			
UEBDE3-R 6	297	6	0.50

has optional accessories:

- UEBD R E** Dummy cartridge unit, 3x, round, height-adjustable (Page C20)
- UEBDD R E** Stainless steel dummy cover cartridge, 3x, round (Page C15)

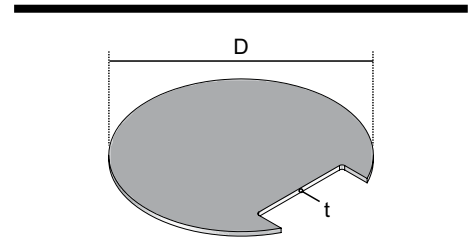


UEKDE R Cover insert, stainless steel cable outlet cartridge, 3x

Article number	D mm	t mm	G kg
PVC			
UEKDE3-R 6	297	6	0.50

has optional accessories:

- UEKDR E** Cable outlet cartridge unit, 3x, round, height-adjustable (Page C21)

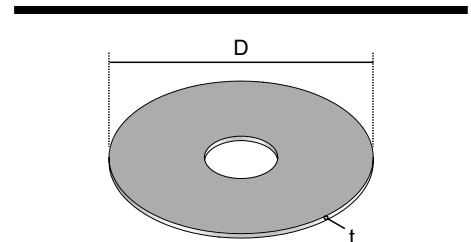


UEBDME R Cover insert, stainless steel tube outlet cartridge, 3x

Article number	D mm	t mm	G kg
PVC			
UEBDME3-R 6	297	6	0.50

has optional accessories:

- UEBDM R WD** Tube cartridge unit, 3x, round, height-adjustable (Page C23)

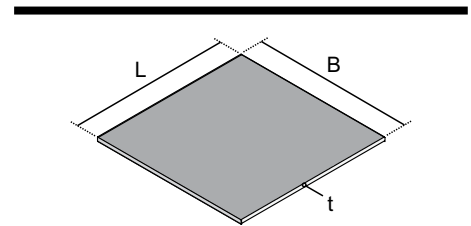


UEBDE V Cover insert, stainless steel dummy cartridge, 3x

Article number	W mm	L mm	t mm	G kg
PVC				
UEBDE3-V 6	245	245	6	0.50

has optional accessories:

- UEBD V E** Dummy cartridge unit, 3x, square (Page C27)
- UEBDD V E** Cartridge installation unit - dummy cover, 3x, square (Page C16)

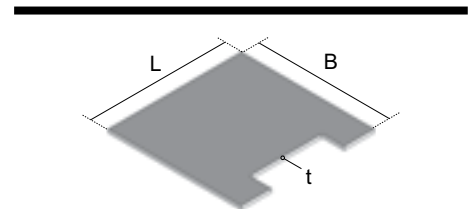


UEKDE V Cover insert, stainless steel cable outlet cartridge, 3x

Article number	W mm	L mm	t mm	G kg
PVC				
UEKDE3-V 6	245	245	6	0.50

has optional accessories:

- UEKDV E** Cable outlet cartridge unit, 3x, square (Page C29)
- UEKDD V E** Cartridge installation unit - hinged cover, 3x, square (Page C17)



Installation units for screed and false floors

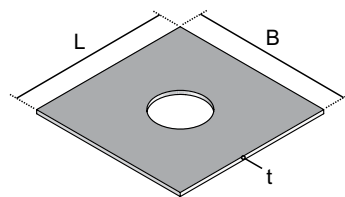
Installation units made from stainless steel | Accessories for stainless steel cartridges

UEBDME V Cover insert, stainless steel tube outlet cartridge, 3x

Article number	W mm	L mm	t mm	G kg
PVC				
UEBDME3-V 6	245	245	6	0.50

has optional accessories:

UEBDM V Tube cartridge unit, 3x, square (Page C30)

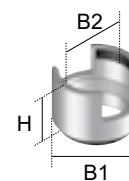


UET WD Tube

Article number	H mm	B1 mm	B2 mm	G kg
E				
UET-R-WD E	30	70	50	0.36
AL				
UET-R-WD	30	70	50	0.12
MS				
UET-R-WD-MS	30	70	50	0.36

has optional accessories:

UETD WD Tube cover (Page C35)

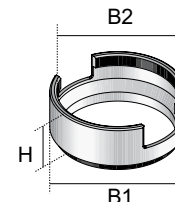


UET112 WD Tube

Article number	H mm	B1 mm	B2 mm	G kg
AL				
UET112-R-WD	36	112	94	0.15

has optional accessories:

UETD112 WD Tube cover (Page C36)



UETD WD Tube cover

Article number	G kg
E	
UETD-R-WD E	0.28
AL	
UETD-R-WD	0.10
MS	
UETD-R-WD-MMS	0.28

has optional accessories:

UET WD Tube (Page C35)



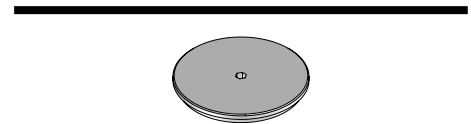
Installation units for screed and false floors

Installation units made from stainless steel | Accessories for stainless steel cartridges

UETD112 WD Tube cover

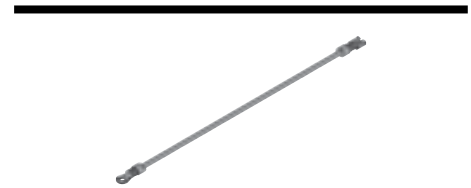
Article number	G	kg
AL		
UETD112-R-WD		0.27

has optional accessories:
UET112 WD Tube (Page C35)



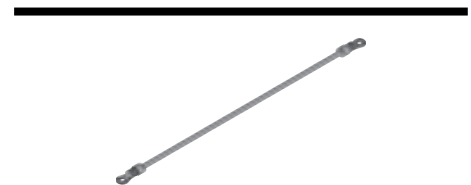
UVA GB Earth wire

Article number	G	kg
CU		
UVA-GB-2.5-15		0.01
UVA-GB-2.5-30		0.01



UVA GB1 Earth wire

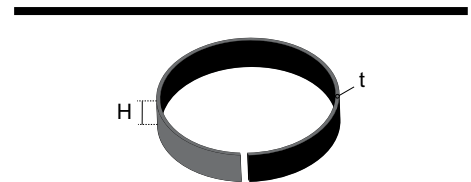
Article number	G	kg
CU		
UVA-GB1-2.5-15		0.01
UVA-GB1-4.0-15		0.02



UGDB15 Rubber seal, round

Article number	H	L	t	G	kg
G					
UGDB15-R300 1.8	15	10000	1.8		0.02

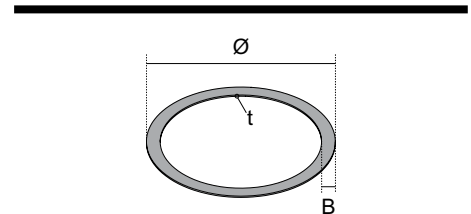
has optional accessories:
UEBD R E Dummy cartridge unit, 3x, round, height-adjustable (Page C20)
UEBDM R WD Tube cartridge unit, 3x, round, height-adjustable (Page C23)
UEBDS R E Heavy-duty dummy cartridge unit, 3x, round, height-adjustable (Page C20)
UEBDSM R WD Heavy-duty tube cartridge unit, 3x, round, height-adjustable (Page C23)



UGD R Rubber seal, round

Article number	W	Ø	t	G	kg
G					
UGD-R 10-2	10	297	2		0.02
UGD-R 10-3	10	295	3		0.05
UGD2-R 10-2	9	249	2		0.02

has optional accessories:
UEBDD R E Stainless steel dummy cover cartridge, 3x, round (Page C15)
UEBDD R P E Stainless steel dummy cover cartridge, 3x, round, flat (Page C14)
UEKDD R P E Stainless steel hinged cover cartridge, 3x, round, flat (Page C15)
UEKDD R E Cartridge installation unit - hinged cover, 3x, round (Page C14)



Installation units for screed and false floors

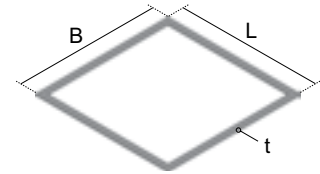
Installation units made from stainless steel | Accessories for stainless steel cartridges

UGD V Rubber seal, square

Article number	W mm	L mm	t mm	G kg
G				
UGD-V 2	252	252	2	0.02

has optional accessories:

UEKD V E	Cable outlet cartridge unit, 3x, square	(Page C29)
UEBDD V E	Cartridge installation unit - dummy cover, 3x, square	(Page C16)
UEKDS V E	Heavy-duty cable outlet cartridge unit, 3x, square	(Page C29)
UEKDD V E	Cartridge installation unit - hinged cover, 3x, square	(Page C17)
UEKDD V P E	Stainless steel hinged cover cartridge, 3x, angular, flat	(Page C19)

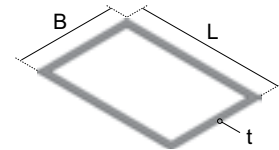


UGD2 V Rubber seal, square

Article number	W mm	L mm	t mm	G kg
G				
UGD2-V 2	179	252	2	0.02

has optional accessories:

UEKDD2 V E	Cartridge installation unit - hinged cover, 2x, square	(Page C17)
UEBDD2 V E	Cartridge installation unit - dummy cover, 2x, square	(Page C15)

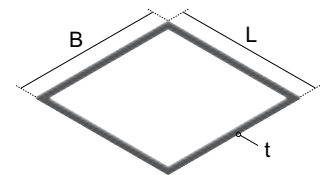


UGD3 V Rubber seal, square

Article number	W mm	L mm	t mm	G kg
G				
UGD3-V 2	253	253	2.5	0.02

has optional accessories:

UEBD V E	Dummy cartridge unit, 3x, square	(Page C27)
UEBDS V E	Heavy-duty dummy cartridge unit, 3x, square	(Page C27)
UEBDM V WD	Tube cartridge unit, 3x, square	(Page C30)
UEBDSM V WD	Heavy-duty tube cartridge unit, 3x, square	(Page C31)

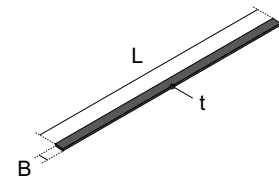


UGD 20 Rubber strip

Article number	W mm	L mm	t mm	G kg
G				
UGD 20-2	20	10000	2	0.02

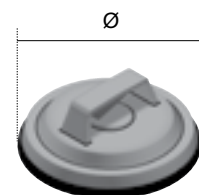
has optional accessories:

UBKPR	Side profile (Page A19)
--------------	-------------------------



USH 40 Vacuum lifter

Article number	Ø mm	Tk kg	G kg
G s			
USH 40	120	40	0.28

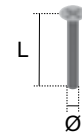


Installation units for screed and false floors

Installation units made from stainless steel | Accessories for stainless steel cartridges

UKS Phillips screw

Article number	L mm	Ø mm	G kg/100
S			
UKS M4x50	50	4	0.42
UKS M4x60	60	4	0.49
UKS M4x80	80	4	0.64
UKS M4x100	100	4	0.80
E			
UKS M4x16E	16	4	0.15

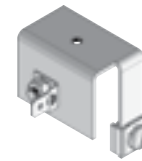


UGEAR ELS Earthing bracket

Article number	G kg
S	
UGEAR-ELS	0.02

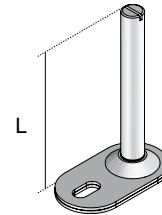
has optional accessories:

- UEBD R E** Dummy cartridge unit, 3x, round, height-adjustable (Page C20)
- UEBDS R E** Heavy-duty dummy cartridge unit, 3x, round, height-adjustable (Page C20)



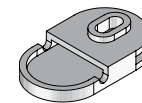
UBDSLFL Levelling base

Article number	L mm	G kg
S		
UBDSLFL 60	60	0.07
UBDSLFL 80	80	0.07
UBDSLFL 150	150	0.09
UBDSLFL 220	220	0.10



UGM SLF Subsonic noise sleeve socket - levelling base

Article number	G kg
PVC	
UGM-SLF	0.01



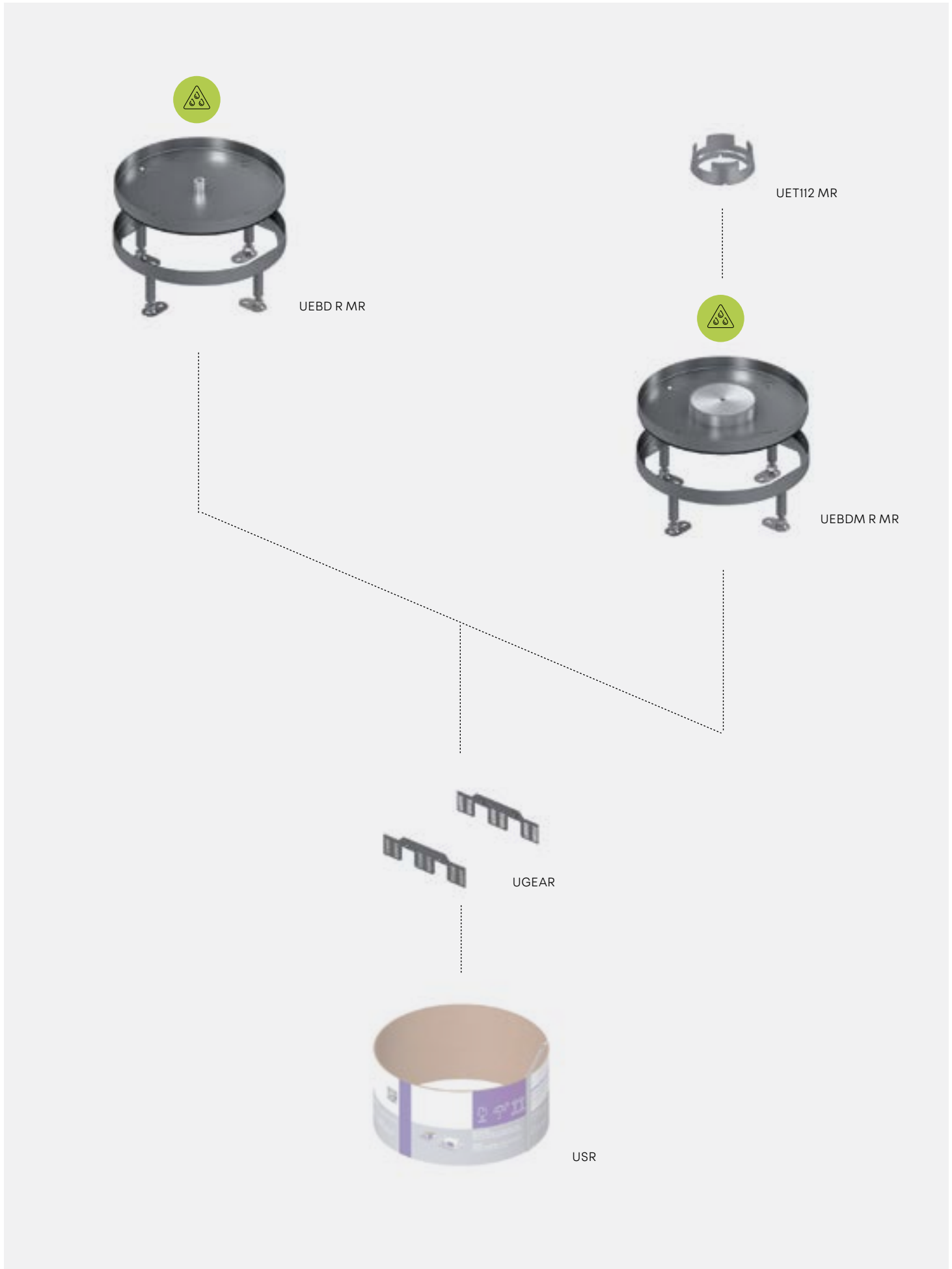
UGDP Care paste for rubber seals

Article number	G kg
PVC	
UGDP	0.03



Installation units for screed and false floors

Cartridge units, machine cleaning | System overview



Installation units for screed and false floors

Cartridge units, machine cleaning

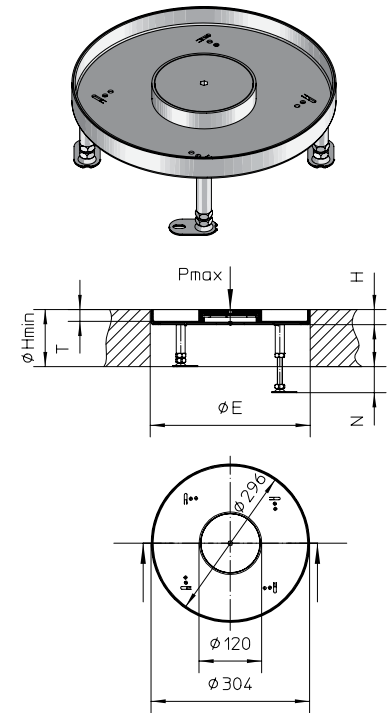
UEBDM R MR Stainless steel tube cover unit, machine cleaning, 3x, round, height-adjustable

Round cartridge made from stainless steel sheet with abutting edge. Suitable for floors for wet-clean cleaning with floor cleaning machines.

Article number	H mm	H _{min} mm	N mm	W mm	E mm	D mm	P _{max} kN	IP _n	IP _g	G kg
E										
UEBDM 25-R-MR	29	110	55	304	307	22	2	IP 66	IP 43	2.8

has optional accessories:

UGEAR	Snap-in ladder set, round	(Page C26)
UBDSLFL	Levelling base	(Page A20)
UGM	Rubber bushing	(Page C49)
UGM SLF	Subsonic noise sleeve socket - levelling base	(Page C62)
UET112-R-MR	Tube	(Page C70)



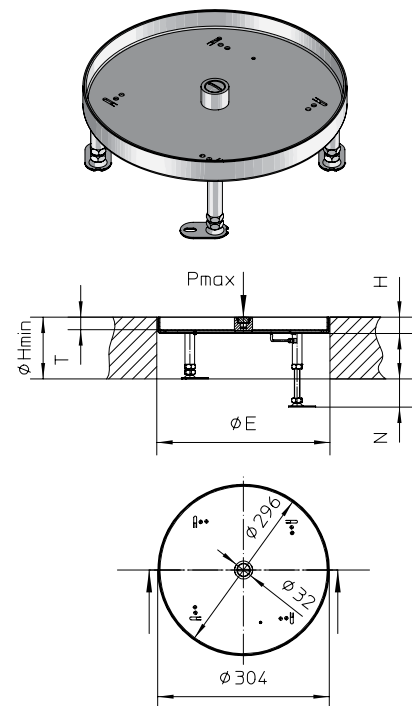
UEBD R MR Dummy cartridge unit, machine cleaning, 3x, round, height-adjustable

Round cartridge made from stainless steel sheet with abutting edge. Suitable for floors for wet-clean cleaning with floor cleaning machines.

Article number	H mm	H _{min} mm	N mm	W mm	E mm	D mm	P _{max} kN	IP _n	IP _g	G kg
E										
UEBD 25-R-MR	29	110	55	304	307	22	2	IP 66		2.56

has optional accessories:

UBDSLFL	Levelling base	(Page A20)
UGM SLF	Subsonic noise sleeve socket - levelling base	(Page C62)



Installation units for screed and false floors

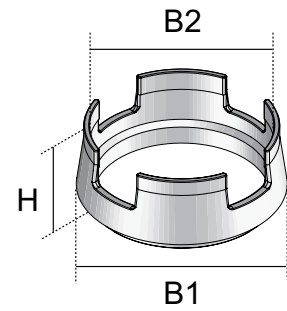
Cartridge units, machine cleaning

UET112-R-MR Tube

Tube as a raised cable outlet made from aluminium for screwing into a machine cleaning unit with tube mounting kit. Suitable for floors for cleaning with floor cleaning machines.

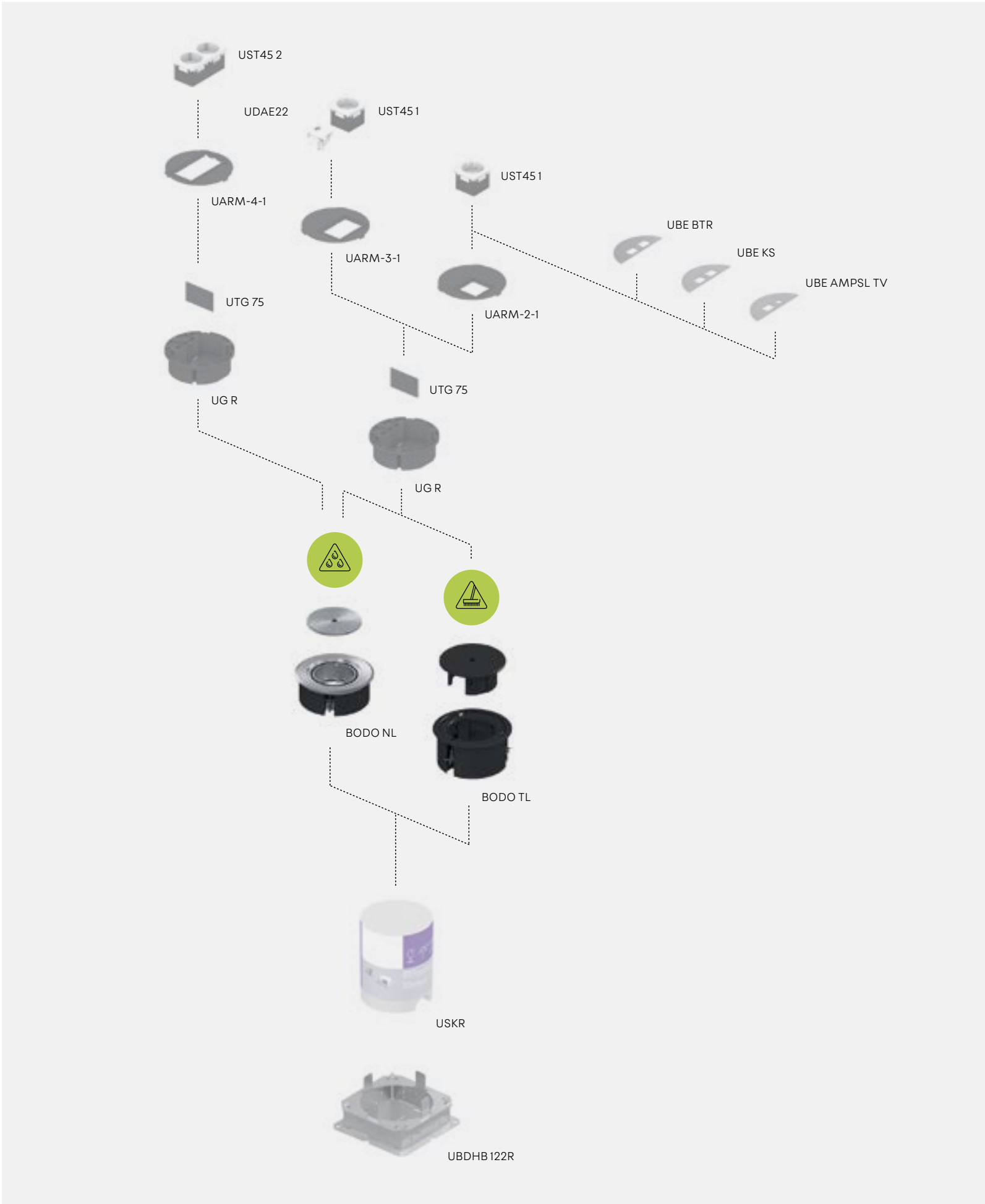


Article number	H mm	B1 mm	B2 mm	Colour	G kg
AL					
UET112-R-MR	39	112	94	Aluminium	0.15



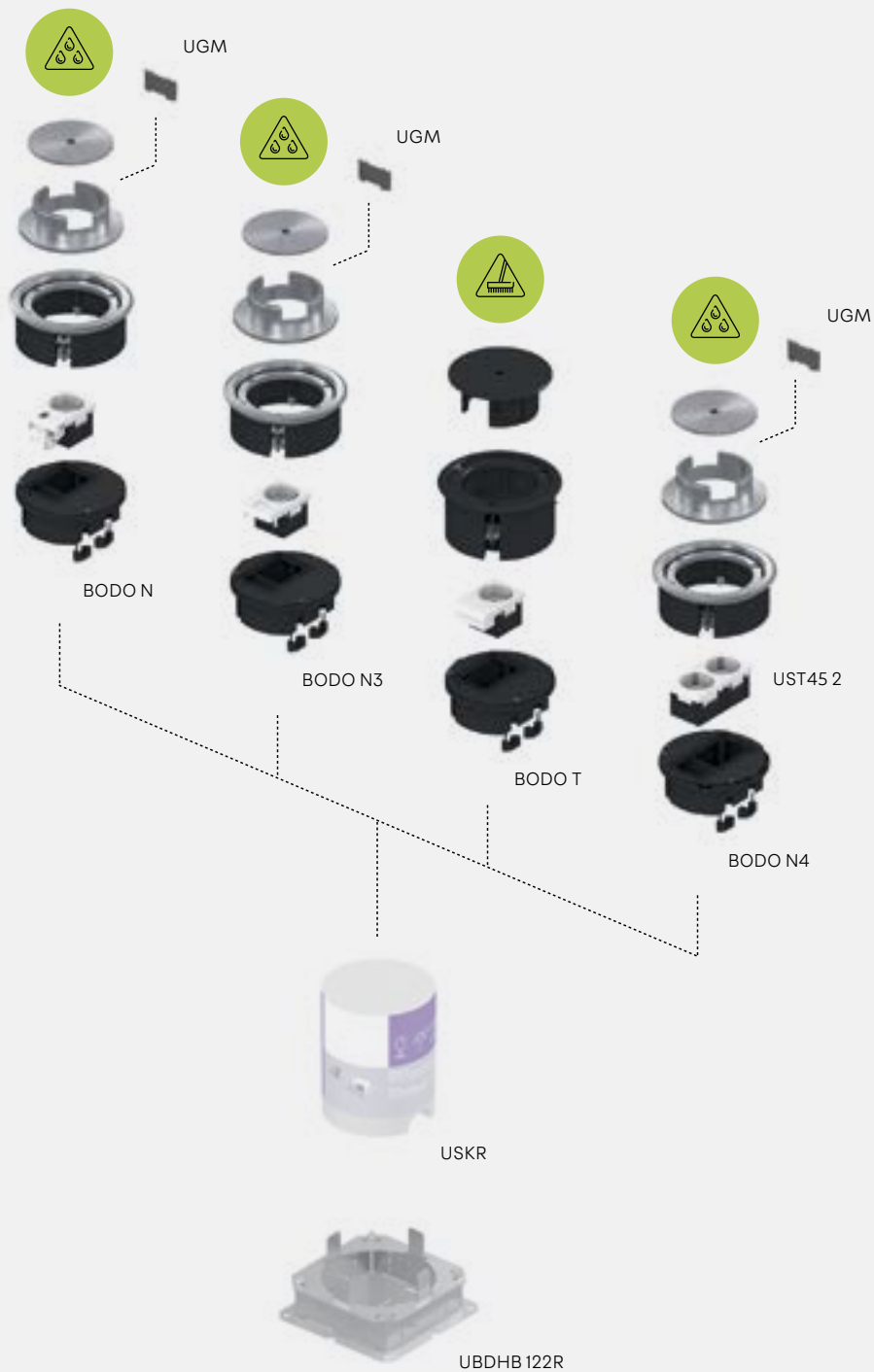
Installation units for screed and false floors

BODO single outlet, round | System overview



Installation units for screed and false floors

BODO single outlet, round | System overview



Installation units for screed and false floors

BODO single outlet, round

BODO N Single outlet with floor socket and data module, wet-clean, round

Round single outlet made from aluminium with floor covering protection frame equipped with a Schuko socket and data module.

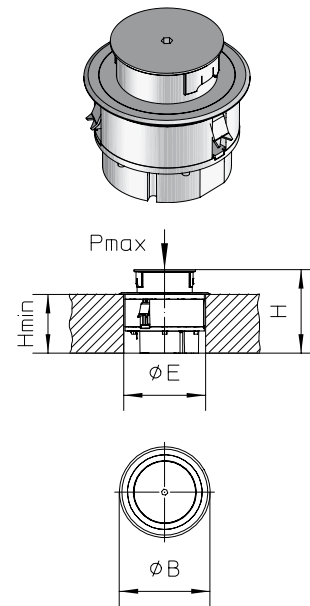
Article number	H mm	H _{min} mm	W mm	E mm	P _{max} kN	Colour	IP _n	IP _g	G kg
E									
BODO N-E	122	87	140	122	15	Stainless steel	IP 66	IP 43	1.46
AL									
BODO N	122	87	140	122	15	Aluminium	IP 66	IP 43	0.73
BODO N-CR	122	87	140	122	15	Chrome-plated	IP 66	IP 43	0.73
BODO N-SW	122	87	140	122	15	Black	IP 66	IP 43	0.73
MS									
BODO N-MMS	122	87	140	122	15	Brass, solid	IP 66	IP 43	1.51

has accessories included:

1 x UET80-R-WD	Tube	(Page C44)
1 x UETD80-R-WD	Tube cover	(Page C44)
1 x UDAE22-CAT6 8	Data connection box, 1x	(Page D36)
1 x UST45-W1	Socket, single	(Page D32)
1 x UTG 75	Device separation plate	(Page D04)
1 x UARM-3-1118	Cover plate for 3x UDAE22	(Page D04)
1 x UG-R	Mounting box, round	(Page D04)
2 x UGM1-3	Rubber bushing	(Page C45)
1 x UWZ-IS 8	Allen key	(Page C44)
3 x UDKS 20-50	Universal claw for BODO N single outlet	(Page C49)

has optional accessories:

USK R122	Shuttering, round	(Page C45)
UBDHB 122R	False floor socket, 1x, round	(Page B10)



BODO N3 Single outlet with floor socket, wet-clean, round

Round single outlet made from aluminium with floor covering protection frame equipped with a Schuko socket.

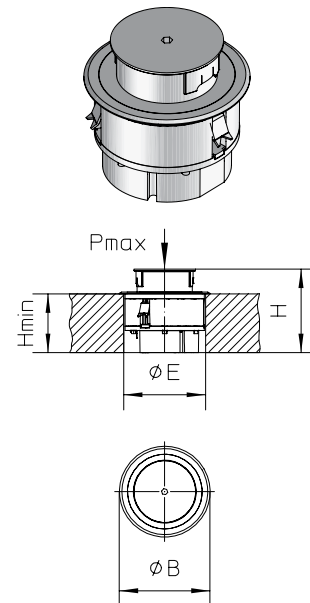
Article number	H mm	H _{min} mm	W mm	E mm	P _{max} kN	Colour	IP _n	IP _g	G kg
E									
BODO N3-E	122	87	140	122	15	Stainless steel	IP 66	IP 43	1.43
AL									
BODO N3	122	87	140	122	15	Aluminium	IP 66	IP 43	0.70
BODO N3-CR	122	87	140	122	15	Chrome-plated	IP 66	IP 43	0.70
BODO N3-SW	122	87	140	122	15	Black	IP 66	IP 43	0.70

has accessories included:

1 x UET80-R-WD	Tube	(Page C44)
1 x UETD80-R-WD	Tube cover	(Page C44)
1 x UST45-W1	Socket, single	(Page D32)
1 x UTG 75	Device separation plate	(Page D04)
1 x UARM-3-1118	Cover plate for 3x UDAE22	(Page D04)
1 x UG-R	Mounting box, round	(Page D04)
2 x UGM1-3	Rubber bushing	(Page C45)
1 x UDA22-KS 1	Data cover, Keystone	(Page D36)
1 x UWZ-IS 8	Allen key	(Page C44)
3 x UDKS 20-50	Universal claw for BODO N single outlet	(Page C49)

has optional accessories:

USK R122	Shuttering, round	(Page C45)
UBDHB 122R	False floor socket, 1x, round	(Page B10)



Installation units for screed and false floors

BODO single outlet, round

BODO N3 Single outlet with floor socket, wet-clean, round

Round single outlet made from aluminium with floor covering protection frame equipped with a Schuko socket.



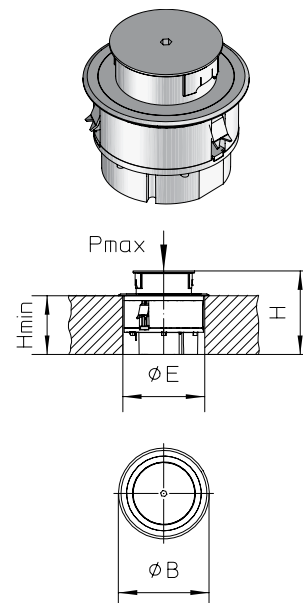
Article number	H mm	H _{min} mm	W mm	E mm	P _{max} kN	Colour	IP _n	IP _g	G kg
MS									
BODO N3-MMS	122	87	140	122	15	Brass, solid	IP 66	IP 43	1.47

has accessories included:

1 x UET80-R-WD	Tube	(Page C44)
1 x UETD80-R-WD	Tube cover	(Page C44)
1 x UST45-W1	Socket, single	(Page D32)
1 x UTG 75	Device separation plate	(Page D04)
1 x UARM-3-1118	Cover plate for 3x UDAE22	(Page D04)
1 x UG-R	Mounting box, round	(Page D04)
2 x UGM1-3	Rubber bushing	(Page C45)
1 x UDA22-KS1	Data cover, Keystone	(Page D36)
1 x UWZ-IS 8	Allen key	(Page C44)
3 x UDKS 20-50	Universal claw for BODO N single outlet	(Page C49)

has optional accessories:

USK R122	Shuttering, round	(Page C45)
UBDHB 122R	False floor socket, 1x, round	(Page B10)



BODO N4 Single outlet with floor socket, wet-clean, round

Round single outlet made from aluminium with floor covering protection frame equipped with a 2-way Schuko socket.



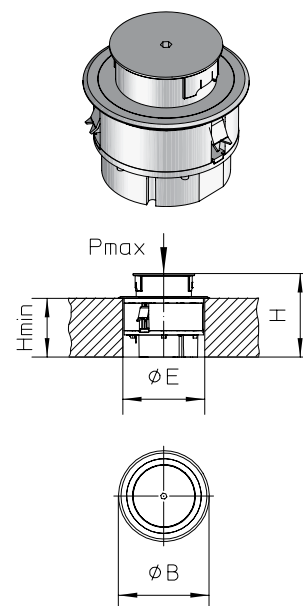
Article number	H mm	H _{min} mm	W mm	E mm	P _{max} kN	Colour	IP _n	IP _g	G kg
E									
BODO N4-E	122	87	140	122	15	Stainless steel	IP 66	IP 43	1.47
AL									
BODO N4	122	87	140	122	15	Aluminium	IP 66	IP 43	0.74
BODO N4-CR	122	87	140	122	15	Chrome-plated	IP 66	IP 43	0.74
BODO N4-SW	122	87	140	122	15	Black	IP 66	IP 43	0.74
MS									
BODO N4-MMS	122	87	140	122	15	Brass, solid	IP 66	IP 43	1.51

has accessories included:

1 x UET80-R-WD	Tube	(Page C44)
1 x UETD80-R-WD	Tube cover	(Page C44)
1 x UST45-W 2	Socket, double	(Page D32)
1 x UARM-4-1118	Cover plate for 4x UDAE22	(Page D04)
1 x UG-R	Mounting box, round	(Page D04)
2 x UGM1-3	Rubber bushing	(Page C45)
1 x UWZ-IS 8	Allen key	(Page C44)
3 x UDKS 20-50	Universal claw for BODO N single outlet	(Page C49)

has optional accessories:

USK R122	Shuttering, round	(Page C45)
UBDHB 122R	False floor socket, 1x, round	(Page B10)



Installation units for screed and false floors

BODO single outlet, round

BODO NL Single outlet, wet-clean, round, empty

Round single outlet with floor covering protection frame.

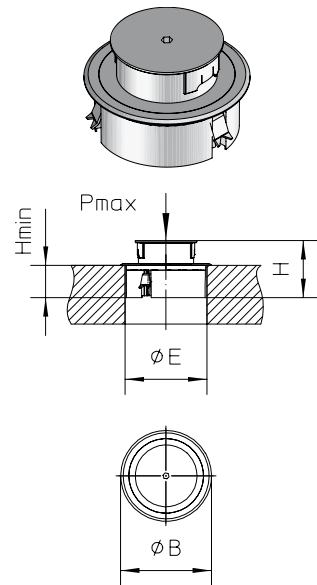
Article number	H mm	H _{min} mm	W mm	E mm	P _{max} kN	Colour	IP _n	IP _g	G kg
E									
BODO NL-E	83	48	140	122	15	Stainless steel	IP 66	IP 43	1.28
AL									
BODO NL	83	48	140	122	15	Aluminium	IP 66	IP 43	0.55
BODO NL-CR	83	48	140	122	15	Chrome-plated	IP 66	IP 43	0.55
BODO NL-SW	83	48	140	122	15	Black	IP 66	IP 43	0.55
MS									
BODO NL-MMS	83	48	140	122	15	Brass, solid	IP 66	IP 43	1.33

has accessories included:

3 x **UDKS 20-50** Universal claw for BODO N single outlet (Page C49)
 1 x **UWZ-IS 8** Allen key (Page C44)

has optional accessories:

USK R122 Shuttering, round (Page C45)
UBDHB 122R False floor socket, 1x, round (Page B10)



BODO T Single outlet with floor socket, dry-clean, round

Round single outlet made from plastic with floor covering protection frame equipped with a Schuko socket.

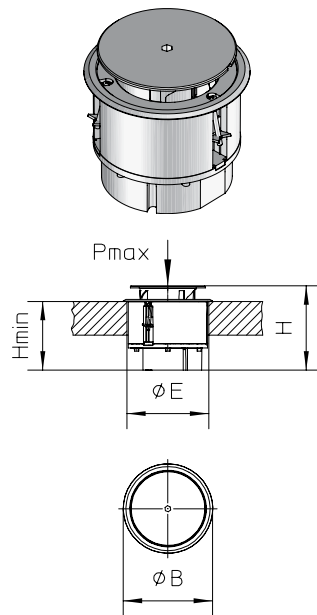
Article number	H mm	H _{min} mm	W mm	E mm	P _{max} kN	Colour	IP _n	IP _g	G kg
ABS									
BODO T-G	126	102	133	122	1.5	RAL 7011 (iron grey)	IP 30	IP 20	0.40
BODO T-S	126	102	133	122	1.5	RAL 9011 (graphite black)	IP 30	IP 20	0.40

has accessories included:

1 x **UAA-B 22** Cover (Page D37)
 1 x **UST45-W1** Socket, single (Page D32)
 1 x **UARM-3-1118** Cover plate for 3x UDAE22 (Page D04)
 1 x **UG-R** Mounting box, round (Page D04)
 3 x **UDKS R1** Universal claw for BODO T single outlet (Page C49)
 1 x **UWZ-IS 8** Allen key (Page C44)

has optional accessories:

USK R122 Shuttering, round (Page C45)
UBDHB 122R False floor socket, 1x, round (Page B10)



Installation units for screed and false floors

BODO single outlet, round

BODO TL Single outlet, dry-clean, round, empty

Round single outlet made from plastic with floor covering protection frame.



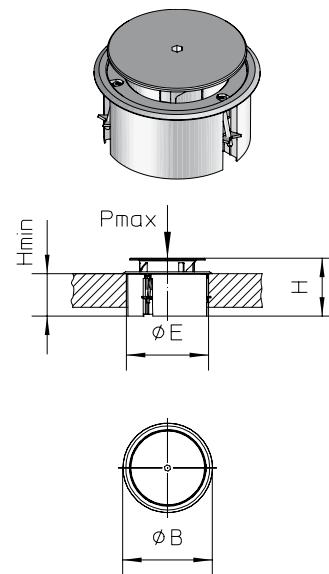
Article number	H mm	H _{min} mm	W mm	E mm	P _{max} kN	Colour	IP _n	IP _g	G kg
ABS									
BODO TL-G	87	63	133	122	1.5	RAL 7011 (iron grey)	IP 30	IP 20	0.20
BODO TL-S	87	63	133	122	1.5	RAL 9011 (graphite black)	IP 30	IP 20	0.20

has accessories included:

UDKS R1 Universal claw for BODO T single outlet (Page C49)
 1 x **UWZ-IS 8** Allen key (Page C44)

has optional accessories:

USK R122 Shuttering, round (Page C45)
UBDHB 122R False floor socket, 1x, round (Page B10)
 3 x **UDKS R1** Universal claw for BODO T single outlet (Page C49)



Installation units for screed and false floors

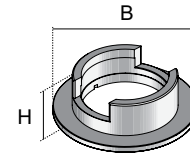
BODO single outlet, round | Accessories

UET80 Tube

Article number	H mm	W mm	Colour	G kg
E				
UET80-R-WDE	34.5	112	Stainless steel	0.49
AL				
UET80-R-WD	34.5	112	Aluminium	0.13
UET80-R-WD-CR	34.5	112	Chrome-plated	0.13
UET80-R-WD-SW	34.5	112	Black	0.13
MS				
UET80-R-WD-MMS	34.5	112	Brass, solid	0.13

has optional accessories:

UETD80 Tube cover (Page C44)

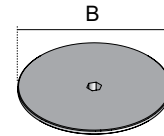


UETD80 Tube cover

Article number	W mm	Colour	G kg
E			
UETD80-R-WDE	92	Stainless steel	0.34
AL			
UETD80-R-WD	92	Aluminium	0.11
UETD80-R-WD-CR	92	Chrome-plated	0.11
UETD80-R-WD-SW	92	Black	0.11
MS			
UETD80-R-WD-MMS	92	Brass, solid	0.11

has optional accessories:

UET80 Tube (Page C44)



UWZ IS Allen key

Article number	G kg
E	
UWZ-IS 8	0.06



Installation units for screed and false floors

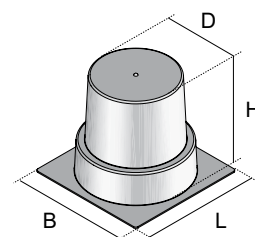
BODO single outlet, round | Accessories

USK R122 Shuttering, round

Article number	H mm	W mm	L mm	D mm	Colour	G kg
PP						
USK-R122	150	180	180	122	Black	0.81

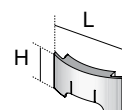
has optional accessories:

BODO T	Single outlet with floor socket, dry-clean, round	(Page C42)
BODO N4	Single outlet with floor socket, wet-clean, round	(Page C41)
BODO TL	Single outlet, dry-clean, round, empty	(Page C43)
BODO N	Single outlet with floor socket and data module, wet-clean, round	(Page C40)
BODO N3	Single outlet with floor socket, wet-clean, round	(Page C40)
BODO NL	Single outlet, wet-clean, round, empty	(Page C42)



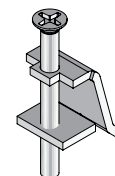
UGM Rubber bushing

Article number	H mm	L mm	G kg
G			
UGM1-3	23	44	0.01



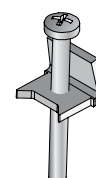
UDKS 20-50 Universal claw for BODO N single outlet

Article number	k mm	Ea.	G kg
G			
UDKS 20-50	20 - 50	1	0.01



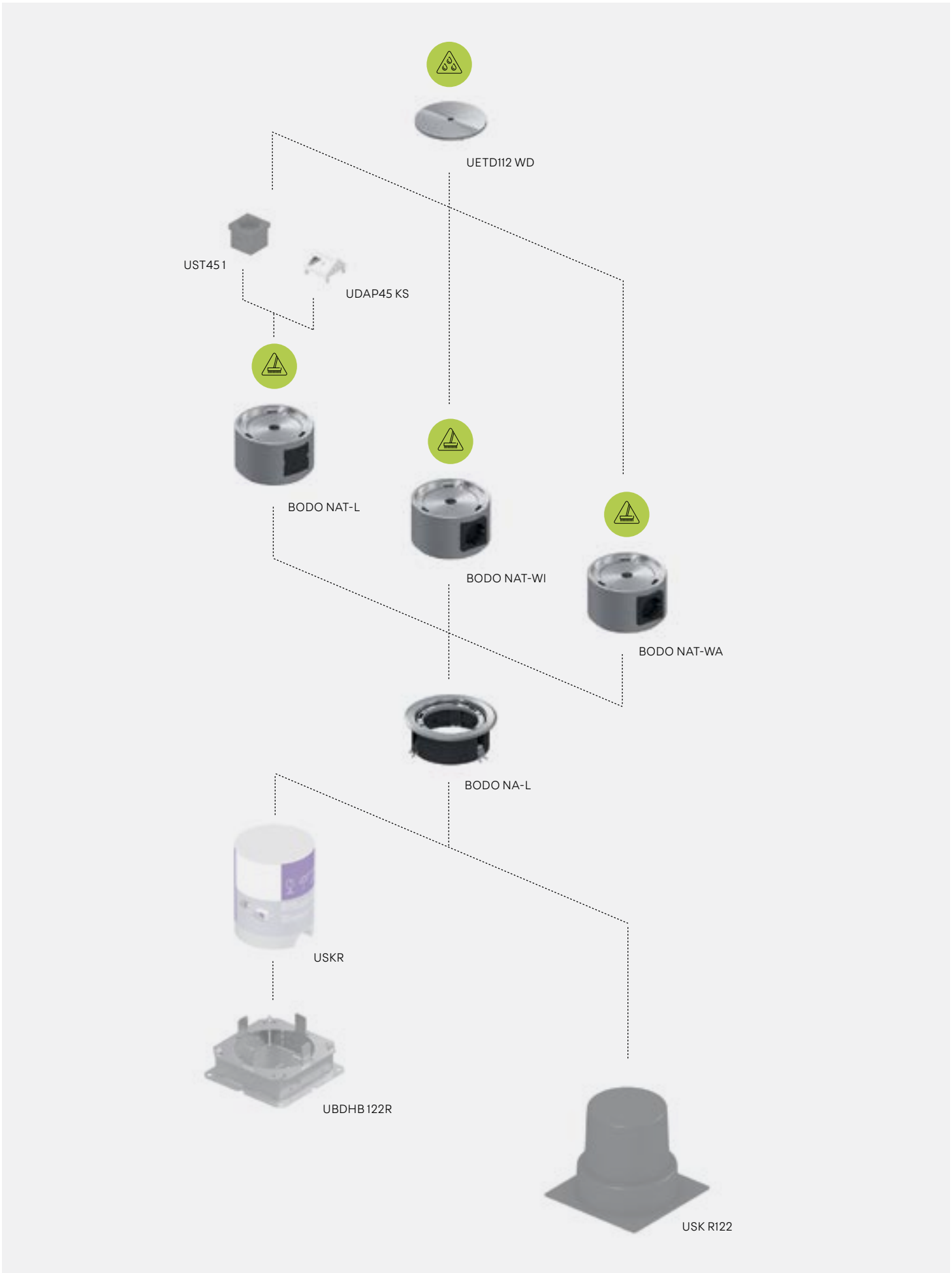
UDKS R1 Universal claw for BODO T single outlet

Article number	k mm	Ea.	G kg
G			
UDKS-R1	16 - 20	4	0.01



Installation units for screed and false floors

BODO surface-mounted outlet, round | System overview



Installation units for screed and false floors

BODO surface-mounted outlet, round

BODO NA Cable outlet, dummy

Round cable outlet with floor covering protection frame, can be completed with tube outlet. Cover closed with bayonet lock. For installation in screed and raised or false floor openings.

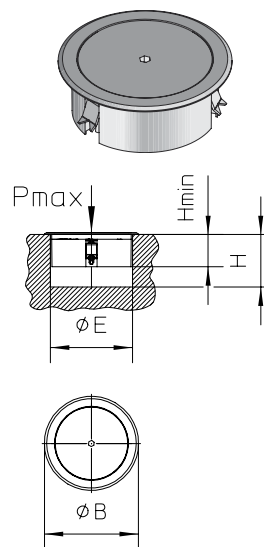


Article number	H mm	H _{min} mm	W mm	E mm	P _{max} kN	Design	Colour	IP _n	IP _g	G kg
AL										
BODO NA-L	48	87	140	122	15	Dummy	Aluminium	IP 66	IP 20	0.30

has optional accessories:

BODO NAT On-floor tube outlet, empty (Page C48)

BODO NAT-W On-floor tube outlet, prefabricated (Page C49)



BODO NAT On-floor tube outlet, empty

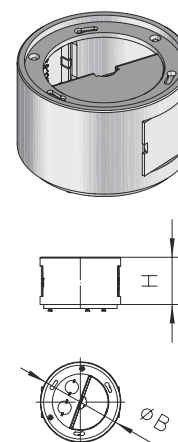
Round tube outlet, application only in conjunction with cable outlet, dummy. For mounting two 45x45 mm installation units. Tube closed with bayonet lock. For installation in screed and raised or false floor openings.



Article number	H mm	W mm	P _{max} kN	Design	Colour	IP _n	IP _g	G kg
AL								
BODO NAT-L	70	120	15	2x UAA-B 45	Aluminium	IP 66	IP 20	0.74

has optional accessories:

BODO NA Cable outlet, dummy (Page C48)



Installation units for screed and false floors

BODO surface-mounted outlet, round

BODO NAT-W On-floor tube outlet, prefabricated

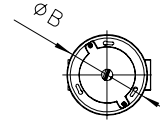
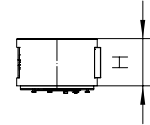
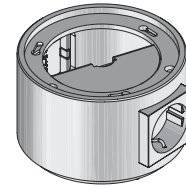
Round prefabricated tube outlet, application only in conjunction with cable outlet, dummy. Fitted with a black Schuko socket and a black snap-in. Can be completed by a further 45x45 mm installation device. Tube closed with bayonet lock. For installation in screed and raised or false floor openings.



Article number	H mm	W mm	P _{max} kN	Design	Colour	Snap-in connector colour	IP _n	IP _g	G kg
AL									
BODO NAT-WA	70	120	15	Wago	Aluminium	Black	IP 66	IP 20	0.87
BODO NAT-WI	70	120	15	Wieland	Aluminium	Black	IP 66	IP 20	0.88

has optional accessories:

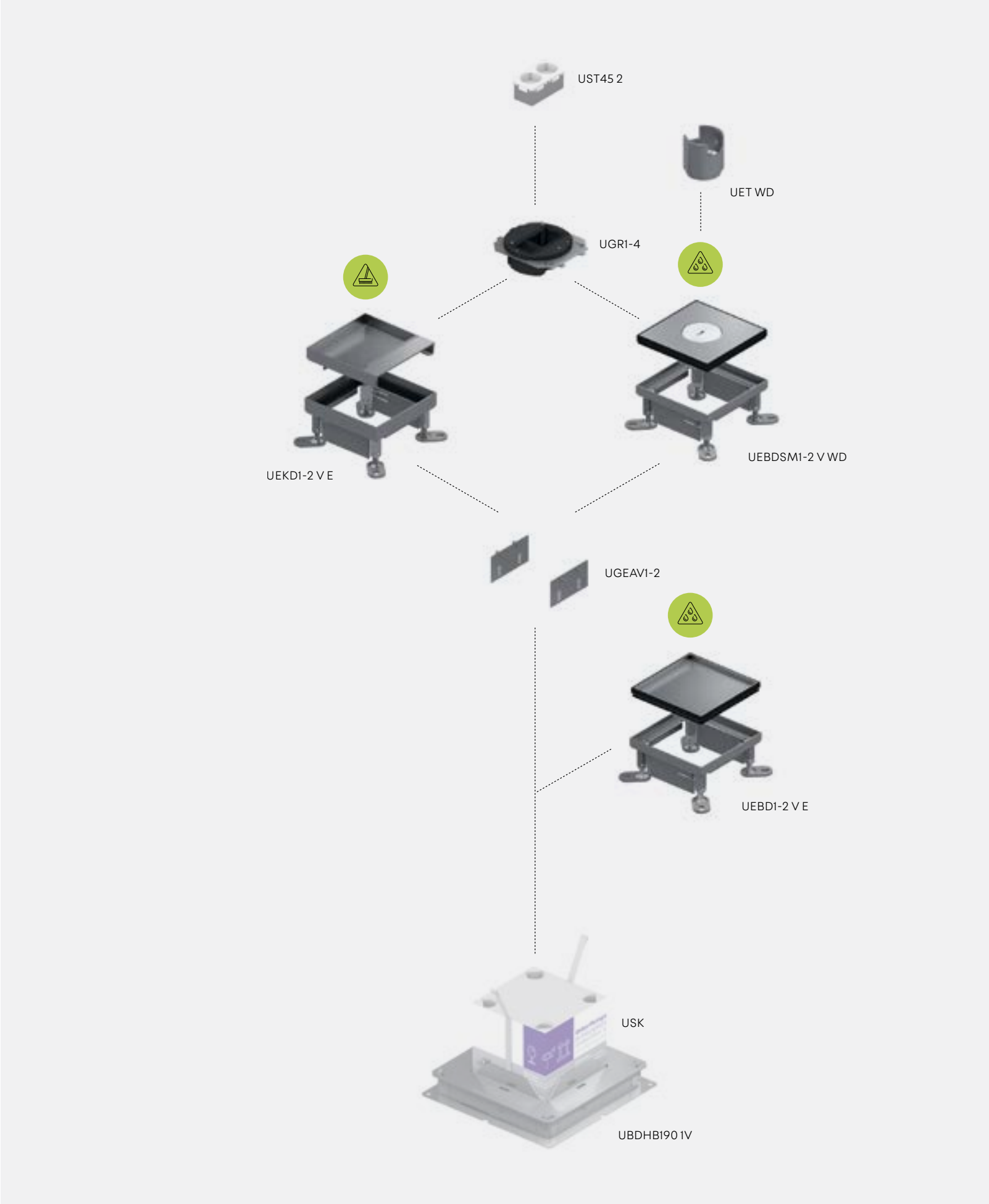
BODO NA Cable outlet, dummy (Page C48)





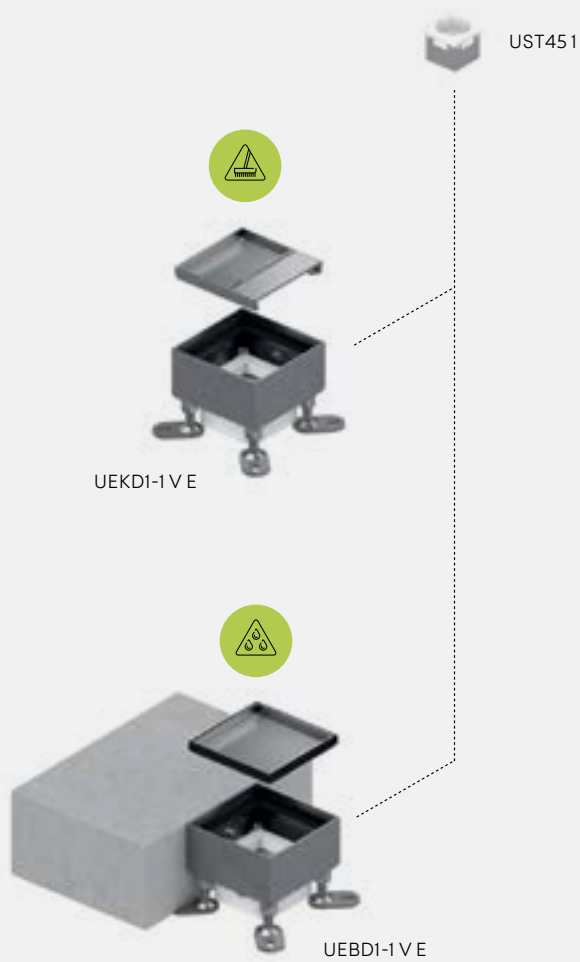
Installation units for screed and false floors

Single outlet, angular | System overview



Installation units for screed and false floors

Single outlet, angular | System overview



Installation units for screed and false floors

Single outlet, angular

UEBD1-1 V E Dummy single outlet cartridge, 1x, square, height-adjustable

Angular dummy single outlet cartridge for direct screed installation made from stainless steel sheet with abutting edge for rooms with wet-clean floor coverings.

Please observe the technical information in the Planning chapter.

Assembly instructions can be found in the Assembly chapter.

Article number	H _{min} mm	N mm	W mm	L mm	E mm	D mm	P _{max} kN	IP _n	IP _g	G kg
UEBD1-115-V E	100	+ 20	115	115	115 x 115	12	2	IP 54		2.20

has accessories included:

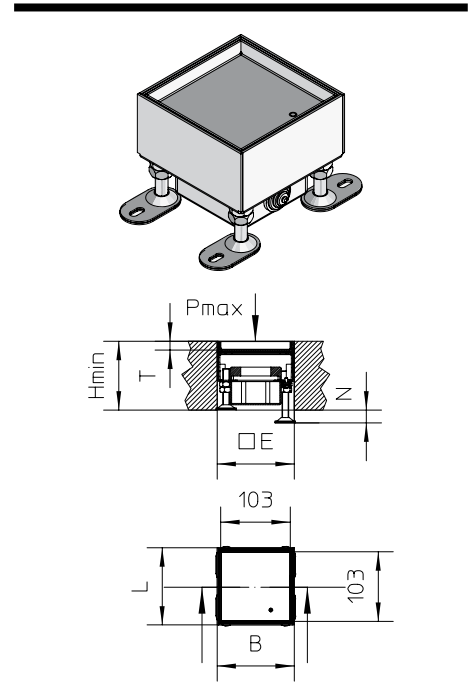
1 x **UGD1-1-V 2** Rubber seal, square (Page C55)

has optional accessories:

UST451 Socket, single (Page D32)

UDAE22 Data connection box, 1x (Page D36)

UBDSL F Levelling base (Page A20)



UEKD1-1 V E Cable single outlet cartridge, 1x, square, height-adjustable

Angular cable single outlet cartridge for direct screed installation made from stainless steel sheet with abutting edge for rooms with dry-clean floor coverings.



Article number	H _{min} mm	N mm	W mm	L mm	E mm	D mm	P _{max} kN	IP _n	IP _g	G kg
UEKD1-115-V E	100	+ 20	115	115	115 x 115	12	2	IP 30	IP 20	1.70

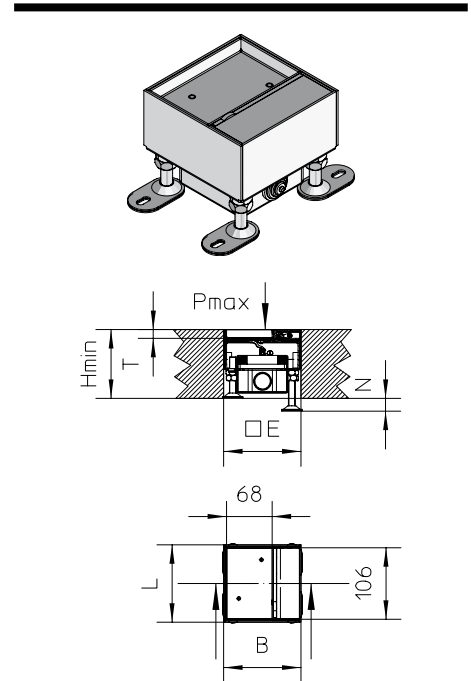
has accessories included:

1 x **UGD1-1-V 2** Rubber seal, square (Page C55)

has optional accessories:

UST451 Socket, single (Page D32)

UDAE22 Data connection box, 1x (Page D36)



Installation units for screed and false floors

Single outlet, angular

UEBD1-2 V E Dummy single outlet cartridge, square, height-adjustable

Angular dummy single outlet cartridge made from stainless steel sheet with abutting edge for rooms with wet-clean floor coverings.



Article number	H mm	H _{min} mm	N mm	W mm	L mm	E mm	D mm	P _{max} kN	IP _n	G kg
E G										
UEBD1-2 15-V E	19	80	+ 45	160	160	164 x 164	12	2	IP 54	1.80
UEBD1-2 25-V E	29	90	+ 45	160	160	164 x 164	22	2	IP 54	1.90

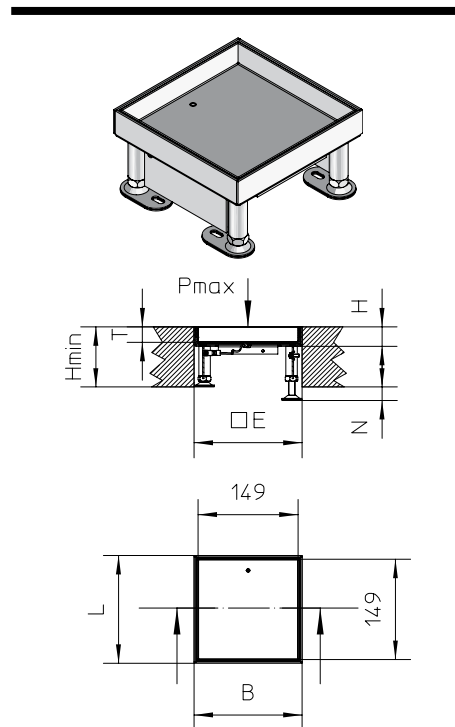
has accessories included:

UGD1-1-V 2 Rubber seal, square (Page C59)

has optional accessories:

UGEAV1-2 Snap-in ladder set, square (Page C54)

UGR1-4 Mounting box, round, pre-assembled (Page C54)



UEKD1-2 V E Cable single outlet cartridge, square, height-adjustable

Square cable single outlet cartridge made from stainless steel sheet with abutting edge for rooms with dry-clean floor coverings.

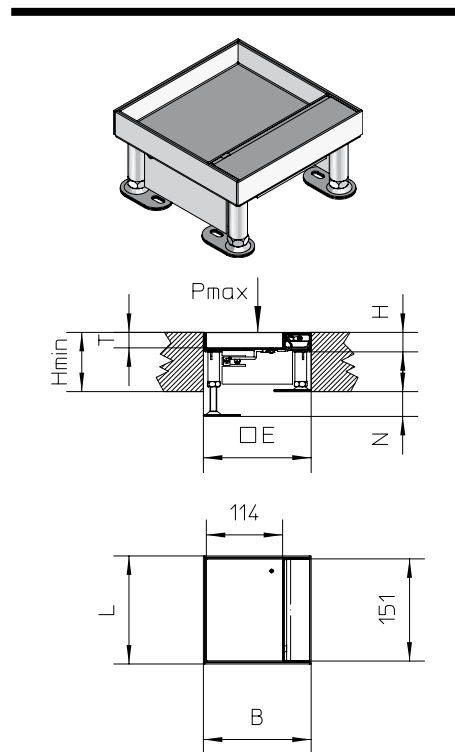


Article number	H mm	H _{min} mm	N mm	W mm	L mm	E mm	D mm	P _{max} kN	IP _n	IP _g	G kg
E G											
UEKD1-2 15-V E	19	80	+ 45	160	160	164 x 164	12	2	IP 30	IP 20	1.12
UEKD1-2 25-V E	29	90	+ 45	160	160	164 x 164	22	2	IP 30	IP 20	1.30
MS G											
UEKD1-2 25-V MS	29	90	+ 45	160	160	164 x 164	22	2	IP 30	IP 20	1.30

has optional accessories:

UGEAV1-2 Snap-in ladder set, square (Page C54)

UGR1-4 Mounting box, round, pre-assembled (Page C54)



Installation units for screed and false floors

Single outlet, angular

UEBDSM1-2 V WD Heavy-duty tube single outlet cartridge, square, height-adjustable

Square heavy-duty tube single outlet cartridge made from stainless steel sheet with abutting edge for rooms with wet-clean floor coverings.



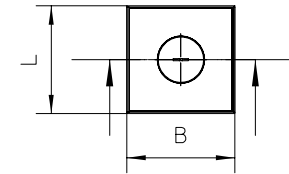
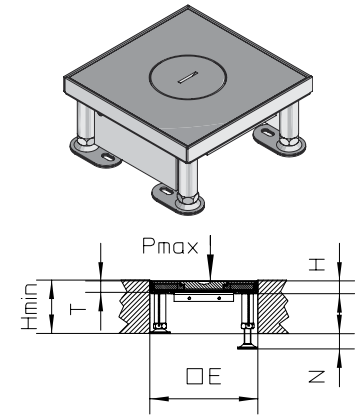
Article number	H mm	H _{min} mm	N mm	W mm	L mm	E mm	P _{max} kN	IP _n	IP _g	G kg
E G										
UEBDSM1-215-V8-WD	19	80	+45	160	160	164 x 164	20	IP 54	IP 22	4.39

has accessories included:

1 x UETD-R-WD	Tube cover	(Page C35)
UGD1-1-V 2	Rubber seal, square	(Page C59)

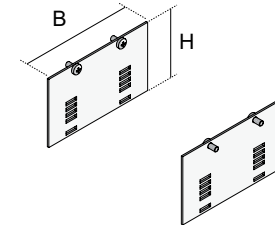
has optional accessories:

UGEAV1-2	Snap-in ladder set, square	(Page C54)
UGR1-4	Mounting box, round, pre-assembled	(Page C54)
UET WD	Tube	(Page C35)



UGEAV1-2 Snap-in ladder set, square

Article number	H mm	W mm	Locking range mm	G kg
S				
UGEAV1-2 50S	59.0	98	25	0.13
UGEAV1-2 80S	83.4	98	25	0.19

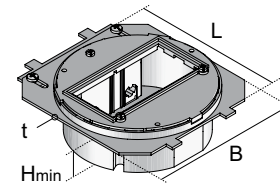


UGR1-4 Mounting box, round, pre-assembled

Article number	H _{min} mm	W mm	L mm	t mm	G kg
S					
UGR1-4	70	128	125	2	0.30

has optional accessories:

UG R	Mounting box, round	(Page D04)
-------------	---------------------	------------



Installation units for screed and false floors

Single outlet, angular | Accessories

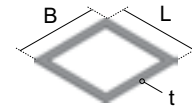
UGD1-1 V Rubber seal, square

Article number	W mm	L mm	t mm	G kg
G				
UGD1-1-V 2	110	110	2	0.01

has optional accessories:

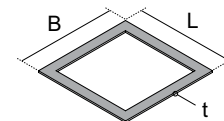
UEBD1-1 V E Dummy single outlet cartridge, 1x, square, height-adjustable (Page C52)

UEKD1-1 V E Cable single outlet cartridge, 1x, square, height-adjustable (Page C52)



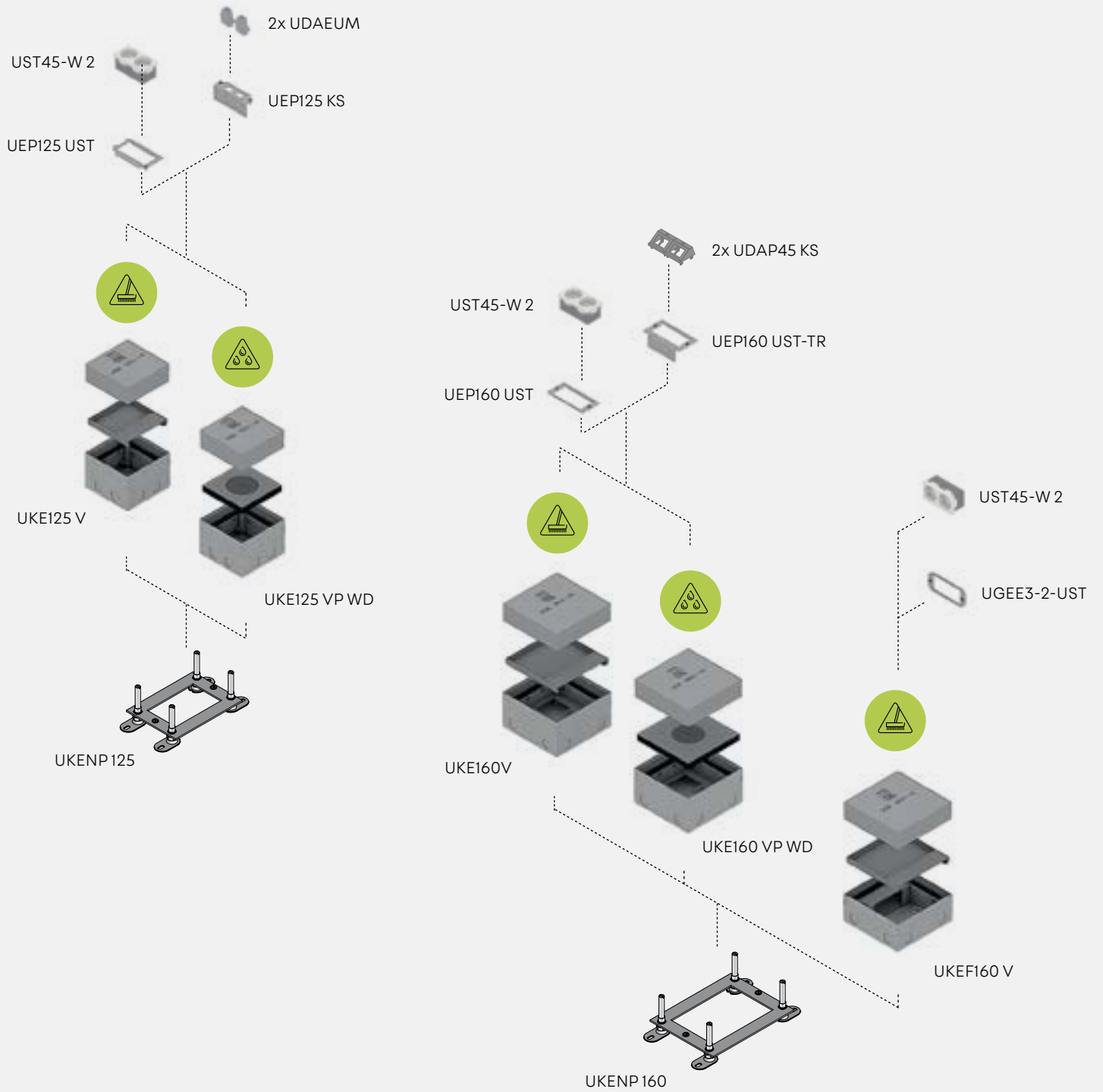
UGKD1-2 V 2 Rubber seal, square

Article number	W mm	L mm	t mm	G kg
G				
UGKD1-2-V 2	119	119	2	0.01



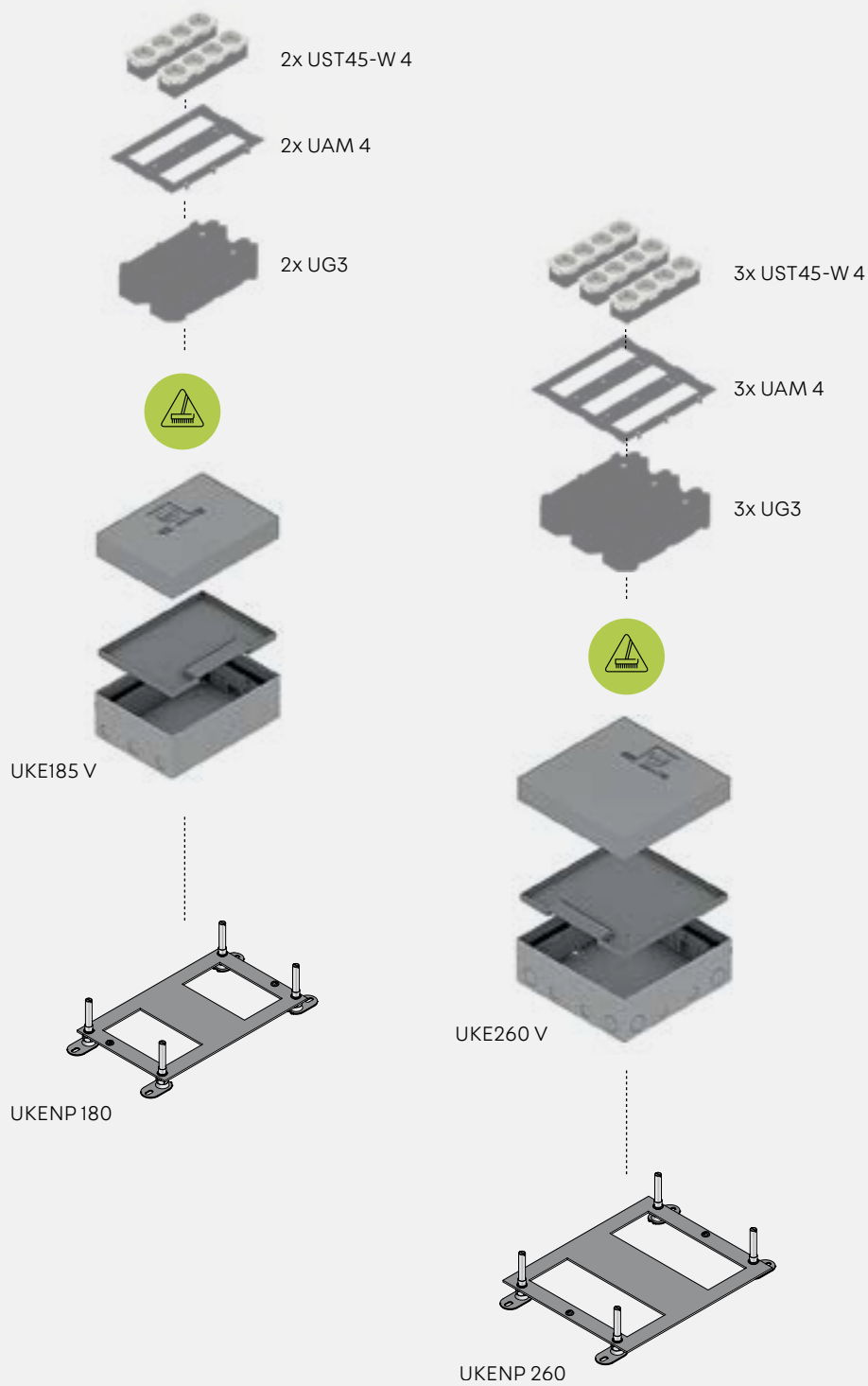
Installation units for screed and false floors

Compact single outlet | System overview



Installation units for screed and false floors

Compact single outlet | System overview



Installation units for screed and false floors

Compact single outlet

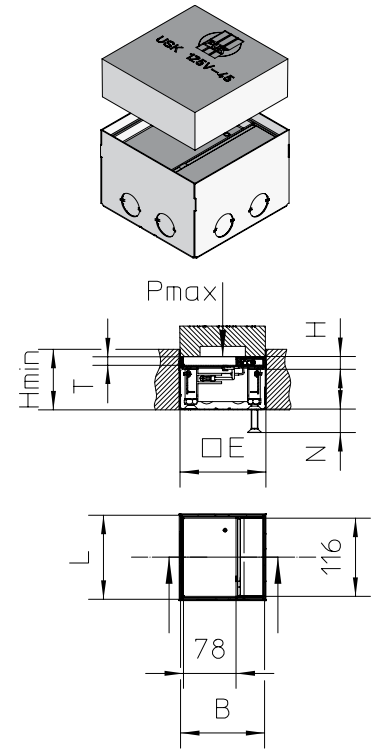
UKE125 V Cable outlet compact single outlet

Angular cable outlet compact single outlet for direct screed installation made from stainless steel sheet with abutting edge.

Article number	H mm	H _{min} mm	N mm	W mm	L mm	E mm	D mm	P _{max} kN	IP _n	IP _g	G kg
E G											
UKE125 15-V E	15	90	+35	125	125	131 x 131	12	2	IP 30	IP 20	1.74
UKE125 25-V E	25	100	+35	125	125	131 x 131	22	2	IP 30	IP 20	1.97
MS G											
UKE125 25-V MS	25	100	+35	125	125	131 x 131	19	2	IP 30	IP 20	2.24

has optional accessories:

UEP125 KS	Mounting board for keystone modules for compact single outlets	(Page C62)
UEP125 UST	Mounting board for sockets for compact single outlets	(Page C62)
UEP125 B	Mounting board for sockets for compact single outlets, dummy	(Page C62)
UKENP 125	Levelling plate	(Page C62)



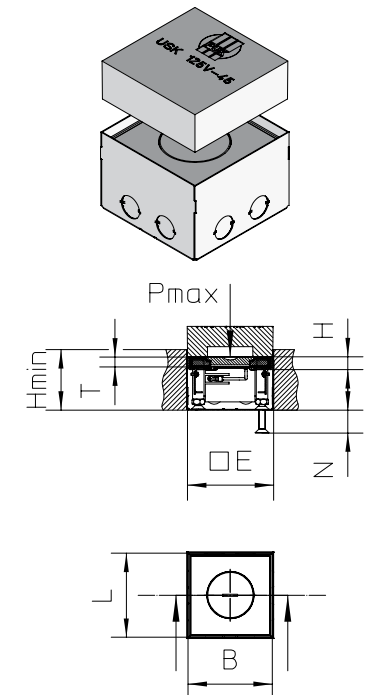
UKE125 VP WD Cable outlet compact single outlet

Angular cable outlet compact single outlet for direct screed installation made from stainless steel sheet with abutting edge.

Article number	H mm	H _{min} mm	N mm	W mm	L mm	E mm	P _{max} kN	IP _n	IP _g	G kg
E G										
UKE125 15-VP-WD	15	90	+35	125	125	131 x 131	20	IP 54	IP 22	2.60

has optional accessories:

UEP125 KS	Mounting board for keystone modules for compact single outlets	(Page C62)
UEP125 UST	Mounting board for sockets for compact single outlets	(Page C62)
UET	Tube	(Page C35)
UEP125 B	Mounting board for sockets for compact single outlets, dummy	(Page C62)
UKENP 125	Levelling plate	(Page C62)



Installation units for screed and false floors

Compact single outlet

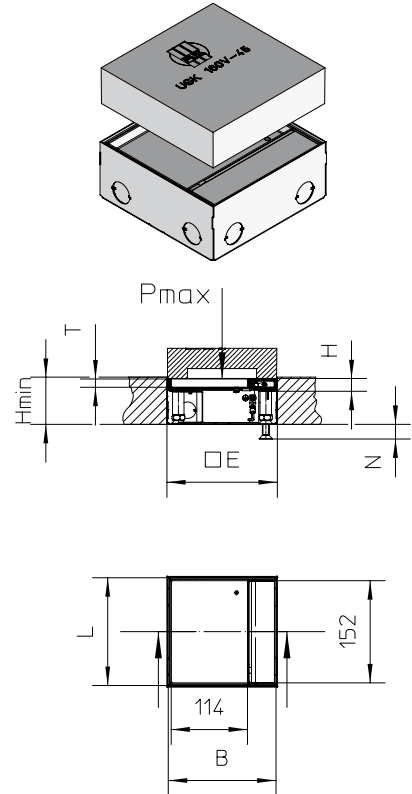
UKEF160 V Cable outlet compact single outlet

Angular cable outlet compact single outlet for direct screed installation made from stainless steel sheet with abutting edge.

Article number	H mm	H _{min} mm	N mm	W mm	L mm	E mm	D mm	P _{max} kN	IP _n	IP _g	G kg
E G											
UKEF160 15-V E	15	70	+20	160	160	166 x 166	12	2	IP 30	IP 20	2.05

has optional accessories:

UGEE3 1	Device panel	(Page D29)
UGEE3 2	Device panel	(Page D29)
UKENP160	Levelling plate	(Page C63)



UKE160 V Cable outlet compact single outlet

Angular cable outlet compact single outlet for direct screed installation made from stainless steel sheet with abutting edge.

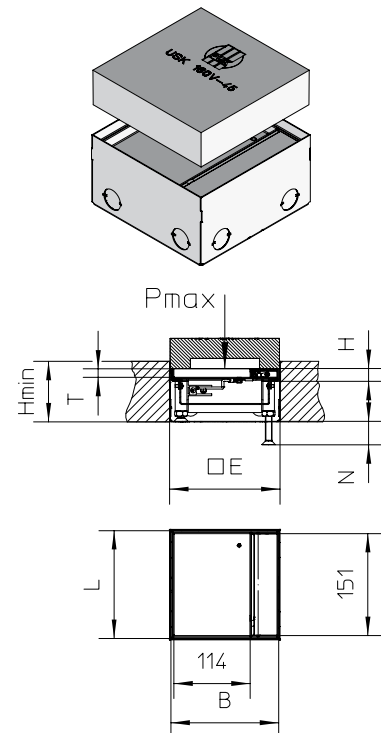
Article number	H mm	H _{min} mm	N mm	W mm	L mm	E mm	D mm	P _{max} kN	IP _n	IP _g	G kg
E G											
UKE160 15-V E	15	90	+35	160	160	166 x 166	12	2	IP 30	IP 20	2.39
UKE160 25-V E	25	100	+35	160	160	166 x 166	22	2	IP 30	IP 20	2.66

MS | G

UKE160 25-V MS	25	100	+35	160	160	166 x 166	19	2	IP 30	IP 20	3.19
-----------------------	----	-----	-----	-----	-----	-----------	----	---	-------	-------	------

has optional accessories:

UEP160 UST	Mounting board for sockets for compact single outlets	(Page C62)
UEP160 UST-TR	Mounting board, data/multimedia	(Page C62)
UKENP160	Levelling plate	(Page C63)



Installation units for screed and false floors

Compact single outlet

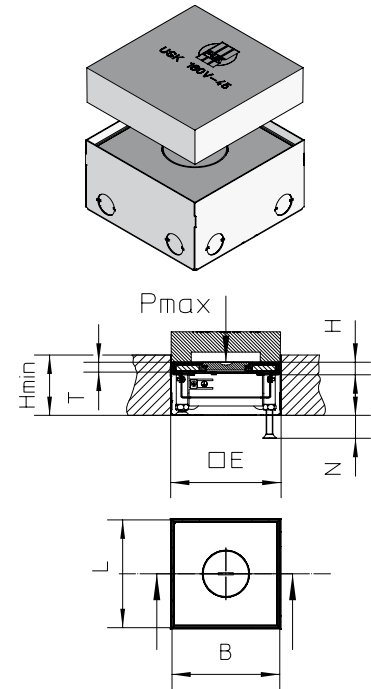
UKE160 VP WD Tube compact single outlet

Angular tube compact single outlet for direct screed installation made from stainless steel sheet with abutting edge.

Article number	H mm	H _{min} mm	N mm	W mm	L mm	E mm	P _{max} kN	IP _n	IP _g	G kg
E G										
UKE16015-VP-WD	15	90	+35	160	160	166 x 166	20	IP 54	IP 22	4.04

has optional accessories:

UEPI60 UST	Mounting board for sockets for compact single outlets	(Page C62)
UEPI60 UST-TR	Mounting board, data/multimedia	(Page C62)
UET WD	Tube	(Page C35)
UKENP 160	Levelling plate	(Page C63)



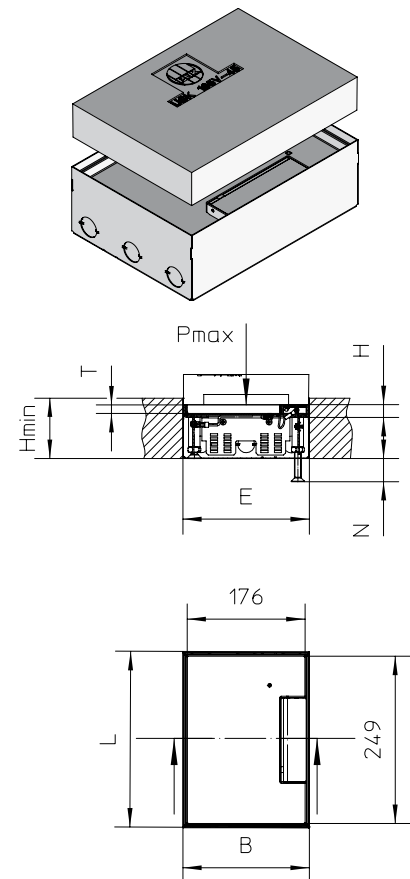
UKE185 V Cable outlet compact single outlet

Angular cable outlet compact single outlet for direct screed installation made from stainless steel sheet with abutting edge.

Article number	H mm	H _{min} mm	N mm	W mm	L mm	E mm	D mm	P _{max} kN	IP _n	IP _g	G kg
E G											
UKE18515-V E	15	90	+35	184	258	190 x 264	12	2	IP 30	IP 20	3.28
UKE18525-V E	25	100	+35	184	258	190 x 264	22	2	IP 30	IP 20	3.65

has optional accessories:

UG3	Mounting box, square	(Page D06)
UKENP 185	Levelling plate	(Page C63)



Installation units for screed and false floors

Compact single outlet

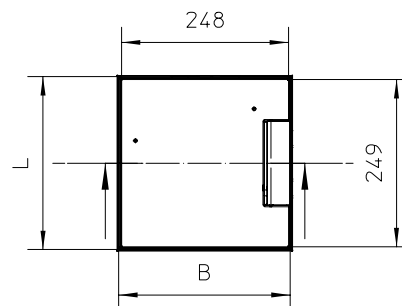
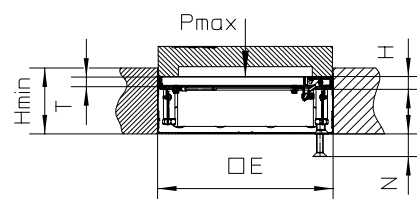
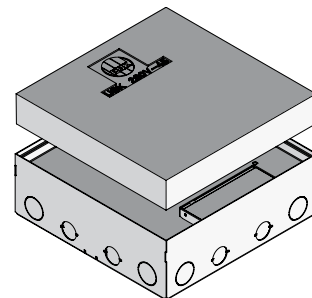
UKE260 V Cable outlet compact single outlet

Angular cablelet outlet compact single outlet for direct screed installation made from stainless steel sheet with abutting edge.

Article number	H mm	H _{min} mm	N mm	W mm	L mm	E mm	D mm	P _{max} kN	IP _n	IP _g	G kg
E G											
UKE260 15-V E	15	90	+35	258	258	264 x 264	12	2	IP 30	IP 20	3.83
UKE260 25-V E	25	100	+35	258	258	264 x 264	22	2	IP 30	IP 20	4.20

has optional accessories:

UG3 Mounting box, square (Page D06)
UKENP 260 Levelling plate (Page C63)



Installation units for screed and false floors

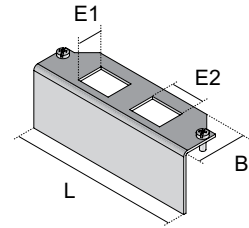
Compact single outlet | Accessories

UEP125 KS Mounting board for Keystone modules for compact single outlets

Article number	W mm	L mm	E1 mm	E2 mm	G kg
S					
UEP125-KS 2	29	98	14.8	19.5	0.06

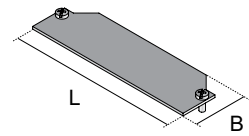
has optional accessories:

UDAEUM Data connection module (Page D37)



UEP125 B Mounting board for sockets for compact single outlets, dummy

Article number	W mm	L mm	G kg
S			
UEP125-B	29	98	0.03

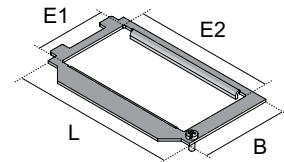


UEP125 UST Mounting board for sockets for compact single outlets

Article number	W mm	L mm	E1 mm	E2 mm	G kg
S					
UEP125-UST 2	62	105	40.5	86	0.04

has optional accessories:

UST451 Socket, single (Page D32)
UST452 Socket, double (Page D32)

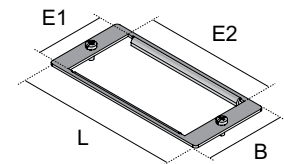


UEP160 UST Mounting board for sockets for compact single outlets

Article number	W mm	L mm	E1 mm	E2 mm	G kg
S					
UEP160-UST 2	50	108	40.5	86	0.03

has optional accessories:

UST451 Socket, single (Page D32)
UST452 Socket, double (Page D32)

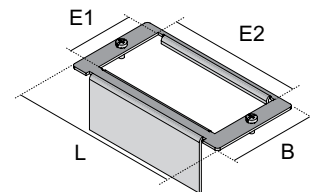


UEP160 UST-TR Mounting board, data/multimedia

Article number	W mm	L mm	E1 mm	E2 mm	G kg
S					
UEP160-UST 2-TR	56	108	40.5	86	0.07

has optional accessories:

UDAP45 KS Data cover, Keystone (Page D39)
UDAE22 Data connection box, 1x (Page D36)

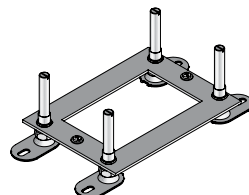


UKENP 125 Levelling plate

Article number	N mm	W mm	L mm	E mm	P _{max} kN	G kg
S						
UKENP 125S	25-70	129	174	135 x 240	2	0.62
UKENPS 125S	15	135	179	135 x 240	20	0.38

has optional accessories:

UGM SLF Subsonic noise sleeve socket - levelling base (Page A14, C38, C63)



Installation units for screed and false floors

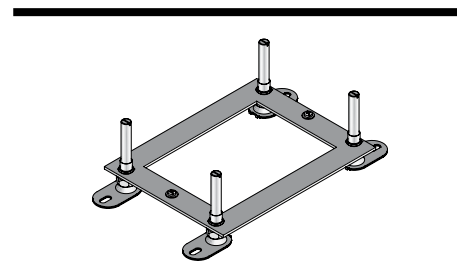
Compact single outlet | Accessories

UKENP160 Levelling plate

Article number	N mm	W mm	L mm	E mm	P _{max} kN	G kg
S						
UKENP160S	25-70	164	210	170 x 276	2	0.71
UKENPS160S	15	170	215	170 x 276	20	0.58

has optional accessories:

UGM SLF Subsonic noise sleeve socket - levelling base (Page A14, C38, C63)

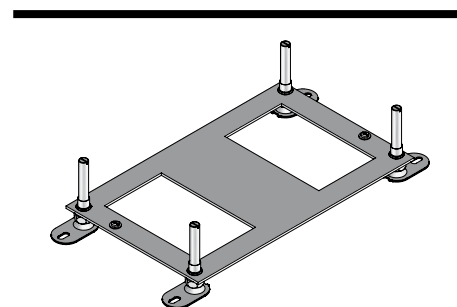


UKENP185 Levelling plate

Article number	N mm	W mm	L mm	E mm	P _{max} kN	G kg
S						
UKENP185S	25-70	234	307	188 x 267	2	2.00

has optional accessories:

UGM SLF Subsonic noise sleeve socket - levelling base (Page A14, C38, C63)

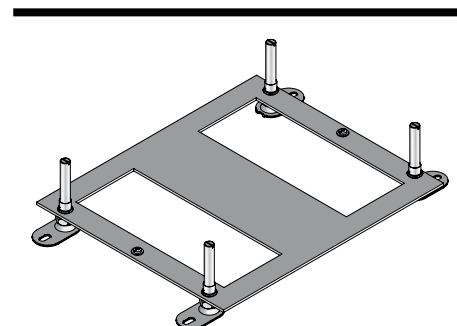


UKENP260 Levelling plate

Article number	N mm	W mm	L mm	E mm	P _{max} kN	G kg
S						
UKENP260S	25-75	261	307	261 x 367	2	1.06

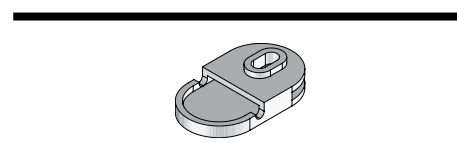
has optional accessories:

UGM SLF Subsonic noise sleeve socket - levelling base (Page A14, C38, C63)



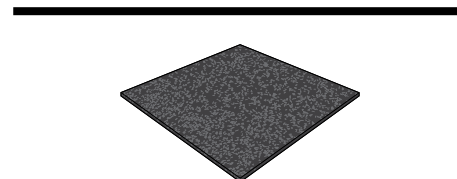
UGM SLF Subsonic noise sleeve socket - levelling base

Article number	G kg
PVC	
UGM-SLF	0.01



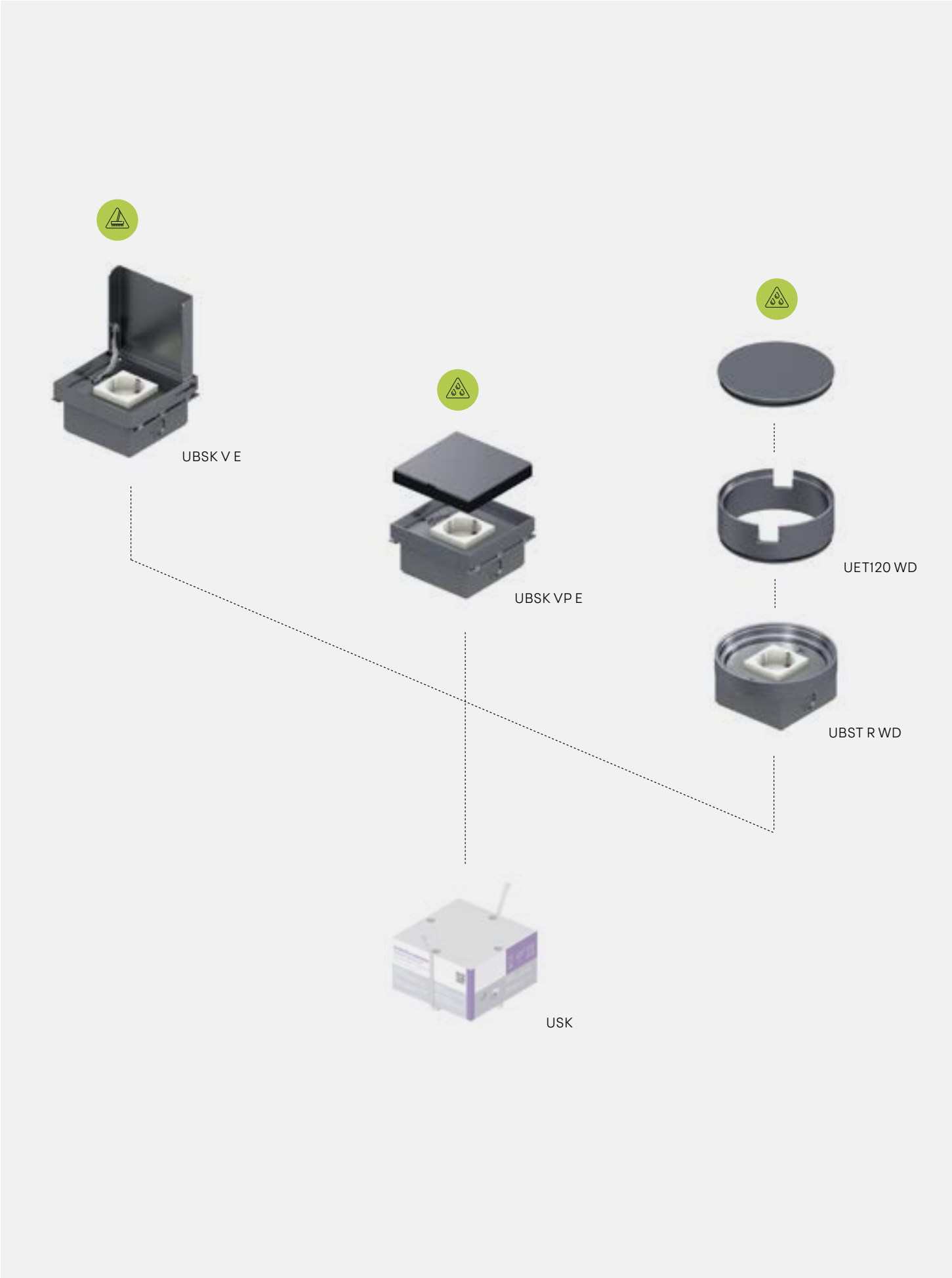
UEB 5 Elastomer tray, angular

Article number	H mm	W mm	L mm	G kg
POLYSTYRENE				
UEB 5	5	265	265	0.30



Installation units for screed and false floors

Cleaning sockets | System overview



Installation units for screed and false floors

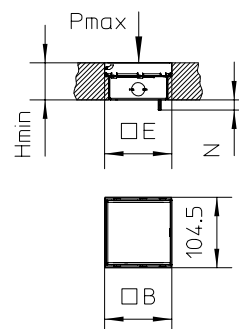
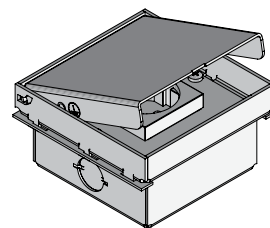
Cleaning sockets

UBSK V E Cleaning socket, 1x, angular, height-adjustable

Angular cleaning socket made from stainless steel sheet with abutting edge. Incl. white 1x Schuko socket. For direct installation in screed floors. For rooms with a low floor structure.



Article number	H mm	H _{min} mm	N mm	W mm	L mm	E mm	P _{max} kN	IP _n	IP _g	G kg
E G										
UBSK-VWIE	19	55	15	100	100	105 x 110	2	IP 40	IP 20	0.70

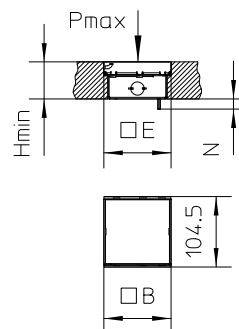
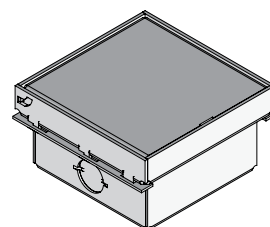


UBSK VP E Cleaning socket, 1x, angular, height-adjustable

Angular cleaning socket made from stainless steel sheet with abutting edge and flat cable outlet cartridge with blasted surface. Incl. white 1x Schuko socket. For direct installation in screed floors. For rooms with a low floor structure.



Article number	H mm	H _{min} mm	N mm	W mm	L mm	E mm	P _{max} kN	IP _n	IP _g	G kg
E G										
UBSK-VPWIE	19	55	15	100	100	105 x 110	2	IP 54	IP 20	0.92



Installation units for screed and false floors

Cleaning sockets

UBST R WD Cleaning socket, 1x, round, height-adjustable

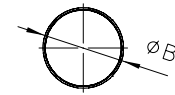
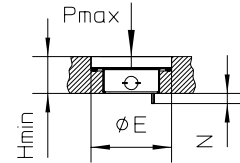
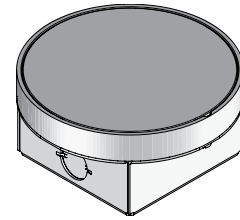
Round cleaning socket made from aluminium with abutting edge. Incl. white 1x Schuko socket. For direct installation in screed floors. For rooms with a low floor structure.



Article number	H mm	H _{min} mm	N mm	W mm	E mm	P _{max} kN	IP _n	IP _g	G kg
AL									
UBST-R-WI-WD	17	55	15	120	125	2	IP 66	IP 43	0.65

has optional accessories:

UET120 WD Tube (Page C67)



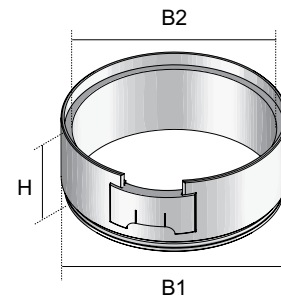
UET120 WD Tube

Tube as a raised cable outlet made from aluminium for screwing into a cleaning socket.

Article number	H mm	B1 mm	B2 mm	Colour	G kg
AL					
UET120-R-WD	36	114	103	Aluminium	0.15

has accessories included:

UGM Rubber bushing (Page C79)







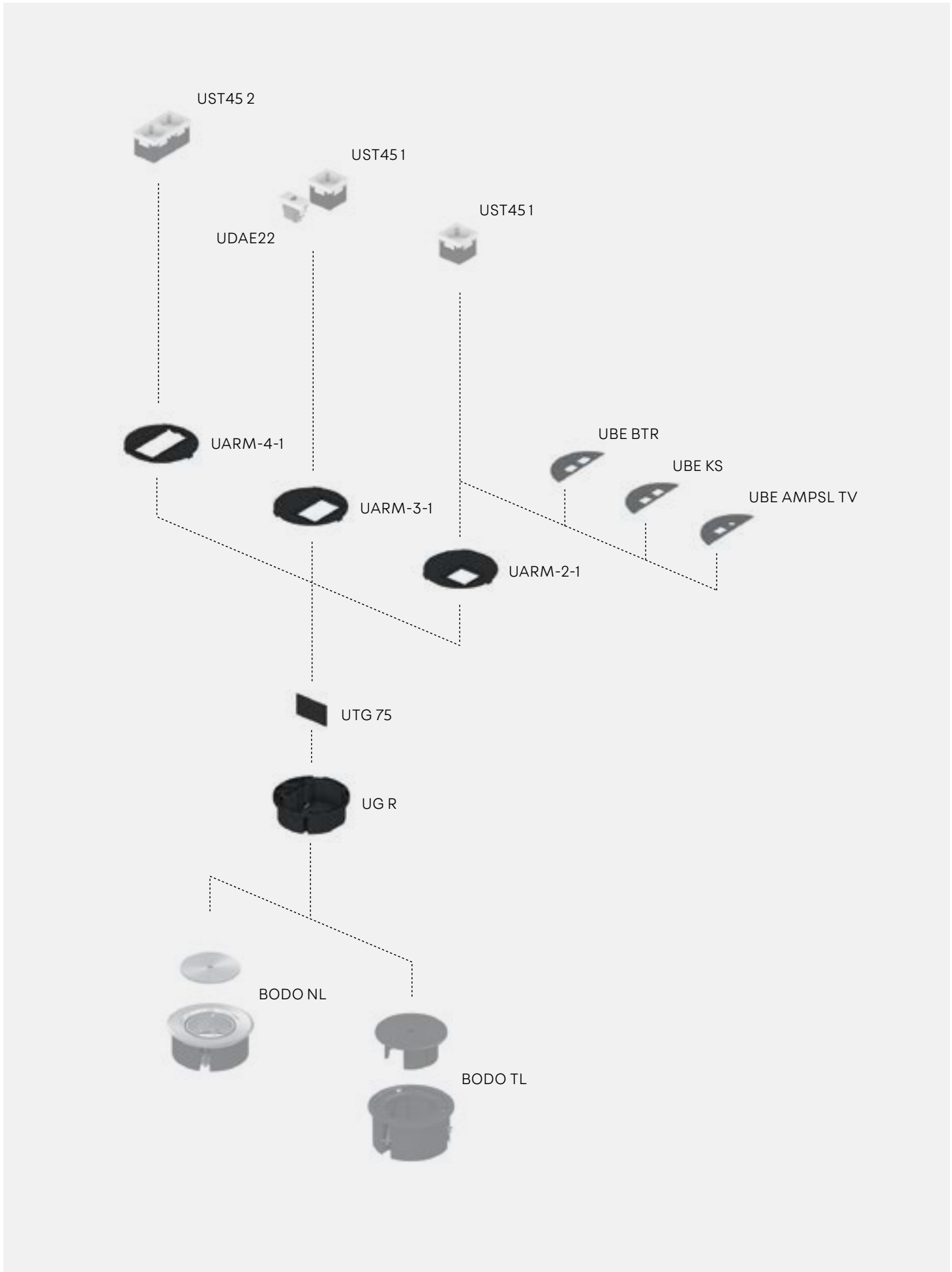
Mounting boxes and installation devices

Cleaning sockets System overview	C74
Cleaning sockets	C75
Mounting boxes and device carriers, round System overview	D02
Mounting boxes and device carriers, round	D03
Mounting boxes and device carriers, angular System overview	D06
Mounting boxes and device carriers, angular Mounting boxes UG and cover plates	D08
Data device carrier System overview	D12
Data device carrier	D14
Data device carrier Mounting board, fibre-optic technology, audio/video technology	D15
Data device carrier Mounting board, data technology	D16
Device carrier System overview	D19
Device carrier	D20
Device insert System overview	D22
Device insert	D24
Device insert Accessories	D26
Power technology System overview	D27
Power technology	D28
Data technology / multimedia System overview	D30
Data technology / multimedia	D32
Plug-in connector systems System overview	D38
Plug-in connector systems WAGO	D40
Plug-in connector systems Wieland	D43
RCCB plug-in connector systems System overview	D47
RCCB plug-in connector systems	D48
Accessories for mounting boxes and installation devices	D50



Mounting boxes and installation devices

Mounting boxes and device carriers, round | System overview



Mounting boxes and installation devices

Mounting boxes and device carriers, round

UG R Mounting box, round

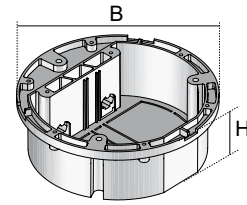
Article number	H mm	W mm	Colour	G kg
ABS				
UG-R	39	118	RAL 9011 (graphite black)	0.05

has accessories included:

2 x **BLS 2.9x32** Sheet metal screw (Page D51)
 2 x **UGZ-R** Strain relief device (Page D51)

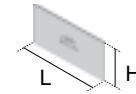
has optional accessories:

UTG 75 Device separation plate (Page D04)



UTG 75 Device separation plate

Article number	H mm	L mm	Colour	G kg
ABS				
UTG 75	36	75	RAL 9011 (graphite black)	0.01

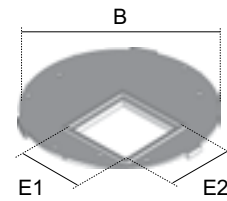


UARM-2-1 Cover plate for 2x UDAE22

Article number	W mm	E1 mm	E2 mm	Colour	G kg
ABS					
UARM-2-1 118	114	40.5	40.5	RAL 9011 (graphite black)	0.03

has optional accessories:

UAA B 22 W Cover (Page D37)
UAA B 22 Cover (Page D37)
UST45 1 Socket, single (Page D32)
UDAE22 Data connection box, 1x (Page D36)

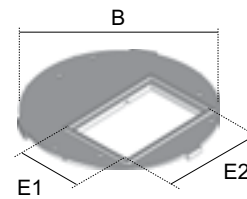


UARM-3-1 Cover plate for 3x UDAE22

Article number	W mm	E1 mm	E2 mm	Colour	G kg
ABS					
UARM-3-1 118	114	40.5	63	RAL 9011 (graphite black)	0.02

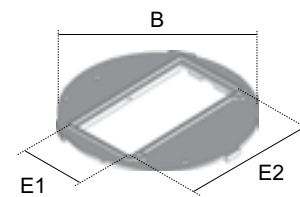
has optional accessories:

UAA B 22 Cover (Page D37)
UAA B 22 W Cover (Page D37)
UST45 1 Socket, single (Page D32)
UDAE22 Data connection box, 1x (Page D36)



UARM-4-1 Cover plate for 4x UDAE22

Article number	W mm	E1 mm	E2 mm	Colour	G kg
ABS					
UARM-4-1 118	114	40.5	86	RAL 9011 (graphite black)	0.02



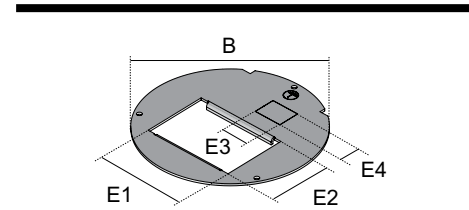
D

Mounting boxes and installation devices

Mounting boxes and device carriers, round

UARM-3-KS1 Cover plate

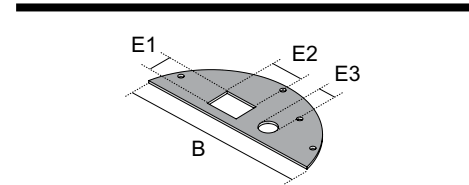
Article number	W mm	E1 mm	E2 mm	E3 mm	E4 mm	G kg
S						
UARM-3-KS1118S	114	63	40.5	19.5	14.9	0.09



UBE AMPSL TV Mounting board, data technology

Used with cover plate UARM-2-1.

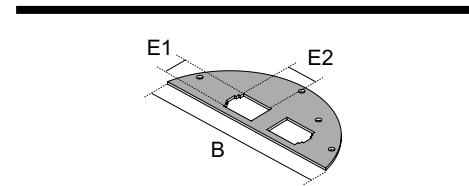
Article number	W mm	E1 mm	E2 mm	E3 mm	G kg
ABS					
UBE-AMPSL-TV	114	20.25	14.78	10.5	0.04



UBE BTR Mounting board, data technology

Used with cover plate UARM-2-1.

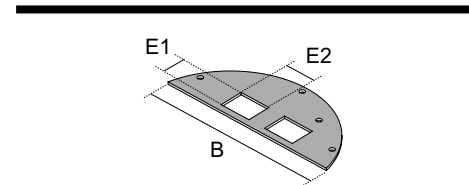
Article number	W mm	E1 mm	E2 mm	G kg
ABS				
UBE-BTR 2	114	15	19.5 / 21.7	0.04



UBE KS Mounting board, data technology

Used with cover plate UARM-2-1.

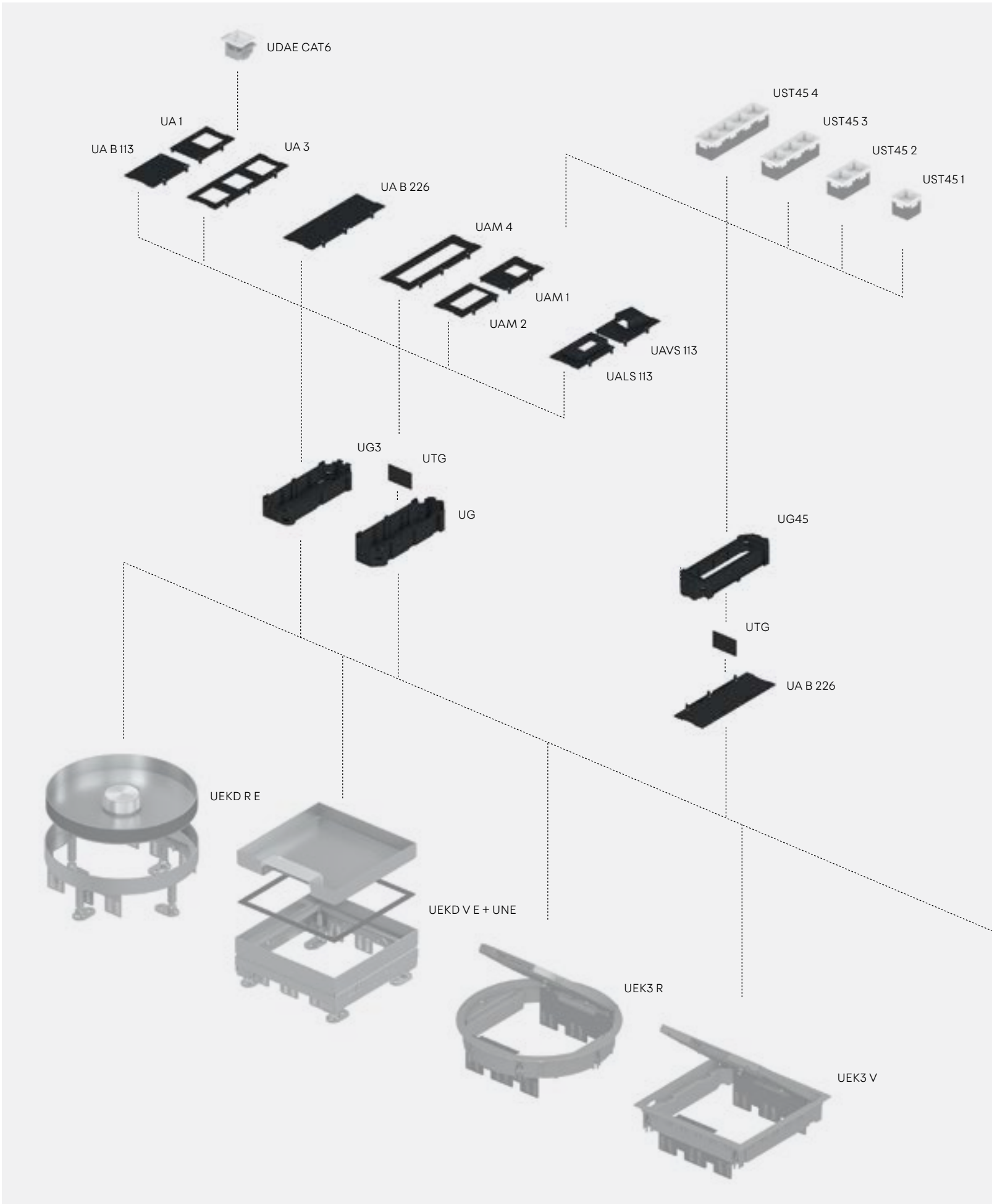
Article number	W mm	E1 mm	E2 mm	G kg
ABS				
UBE-KS 2	114	14.9	19.5	0.04





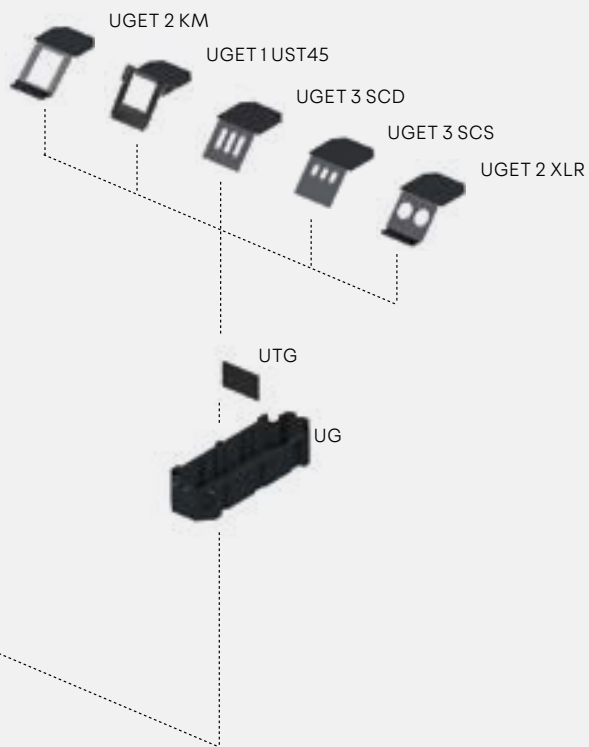
Mounting boxes and installation devices

Mounting boxes and device carriers, angular | System overview



Mounting boxes and installation devices

Mounting boxes and device carriers, angular | System overview



Mounting boxes and installation devices

Mounting boxes and device carriers, angular | Mounting boxes UG and cover plates

UG Mounting box, square

Please observe the technical information in the Planning chapter. Assembly instructions can be found in the Assembly chapter.

Article number	H mm	W mm	L mm	Colour	G kg
ABS					
UG	46	74	225	RAL 9011 (graphite black)	0.09

has accessories included:

4 x **UGZ** Strain relief device (Page D51)

4 x **BLS 2.9x32** Sheet metal screw (Page D51)

has optional accessories:

UTG Device separation plate (Page D06)

UA B 226 Cover plate, dummy (Page D12)

UA B 113 Cover plate, dummy (Page D12)

UA 3 Cover plate for 3xUDAE (Page D06)

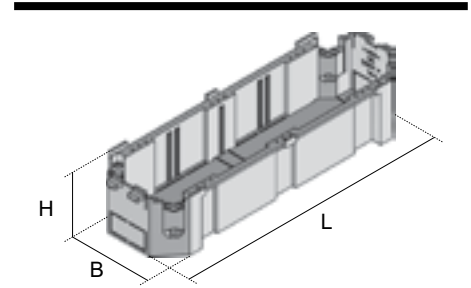
UA 1 Cover plate for 1xUDAE (Page D07)

UAM 4 Cover plate for 4xUST45 (Page D07)

UAM 2 Cover plate for 2xUST45 (Page D07)

UAM 1 Cover plate for 1xUST45 (Page D07)

UALS 113 Cover plate for 2x automatic circuit breakers (Page D07)



UG3 Mounting box, square

Please observe the technical information in the Planning chapter.

Article number	H mm	W mm	L mm	Colour	G kg
ABS					
UG3	38	74	225	RAL 9011 (graphite black)	0.09

has accessories included:

4 x **UGZ** Strain relief device (Page D51)

4 x **BLS 2.9x32** Sheet metal screw (Page D51)

has optional accessories:

UTG Device separation plate (Page D06)

UA B 226 Cover plate, dummy (Page D12)

UA B 113 Cover plate, dummy (Page D12)

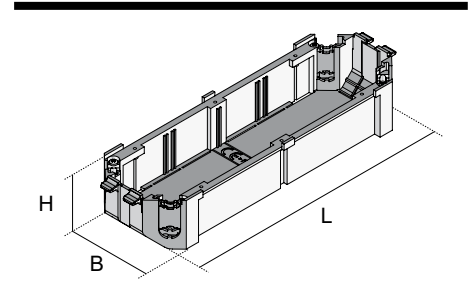
UA 3 Cover plate for 3xUDAE (Page D06)

UA 1 Cover plate for 1xUDAE (Page D07)

UAM 4 Cover plate for 4xUST45 (Page D07)

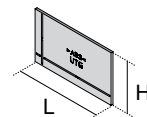
UAM 2 Cover plate for 2xUST45 (Page D07)

UAM 1 Cover plate for 1xUST45 (Page D07)



UTG Device separation plate

Article number	H mm	L mm	Colour	G kg
ABS				
UTG	36	59	RAL 9011 (graphite black)	0.01

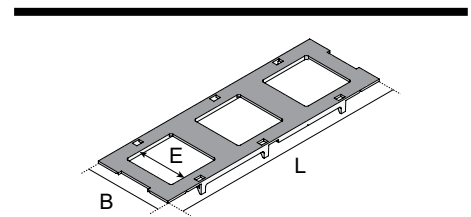


UA 3 Cover plate for 3xUDAE

Article number	W mm	L mm	E mm	Colour	Installation devices	G kg
ABS						
UA-3-1226	74	226	48	RAL 9011 (graphite black)	3	0.03

has optional accessories:

UAA B Cover, dummy (Page D07)



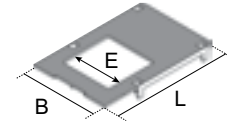
Mounting boxes and installation devices

Mounting boxes and device carriers, angular | Mounting boxes UG and cover plates

UA 1 Cover plate for 1xUDAE

Article number	W mm	L mm	E mm	Colour	Installation devices	G kg
ABS						
UA-1-1113	74	113	48	RAL 9011 (graphite black)	1	0.02

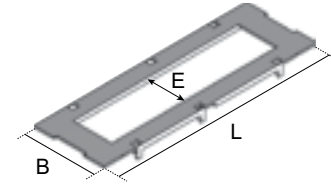
has optional accessories:
UAA B Cover, dummy (Page D07)



UAM 4 Cover plate for 4xUST45

Article number	W mm	L mm	E mm	Colour	Installation devices	G kg
ABS						
UAM-4-1226	74	226	41	RAL 9011 (graphite black)	4	0.03
UAMF-4-1226	74	226	41	RAL 9011 (graphite black)	4	0.03

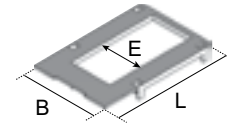
has optional accessories:
UAA B Cover, dummy (Page D07)



UAM 2 Cover plate for 2xUST45

Article number	W mm	L mm	E mm	Colour	Installation devices	G kg
ABS						
UAM-2-1113	74	113	41	RAL 9011 (graphite black)	2	0.02

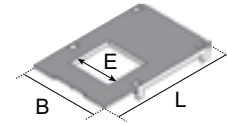
has optional accessories:
UAA B Cover, dummy (Page D07)



UAM 1 Cover plate for 1xUST45

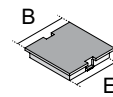
Article number	W mm	L mm	E mm	Colour	Installation devices	G kg
ABS						
UAM-1-1113	74	113	41	RAL 9011 (graphite black)	1	0.02
UAM-1-176	74	76	41	RAL 9011 (graphite black)	1	0.02

has optional accessories:
UAA B Cover, dummy (Page D07)



UAA B Cover, dummy

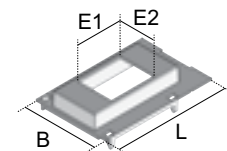
Article number	W mm	E1 mm	Colour	G kg
ABS				
UAA-B 50	52.5	48.0	RAL 9011 (graphite black)	0.01
UAA-B 45	45.0	40.5	RAL 9011 (graphite black)	0.01



UALS 113 Cover plate for 2x automatic circuit breakers

Article number	W mm	L mm	E mm	Colour	G kg
ABS					
UALS-2-1113	74	113	45.5x36	RAL 9011 (graphite black)	0.02

has optional accessories:
UG Mounting box, angular (Page D06)



Mounting boxes and installation devices

Mounting boxes and device carriers, angular | Mounting boxes UG and cover plates

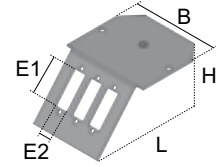
UGET 3 SCD Mounting box installation carrier, fibre-optic technology

Assembly instructions can be found in the Assembly chapter.

Article number	H mm	W mm	L mm	E1 mm	E2 mm	Colour	Data jacks	G kg
S								
UGET-3-SCD113	42	69	95	26.4	9.8	Black (similar to RAL 9011)	3	0.07

has optional accessories:

UG Mounting box, square (Page D06)



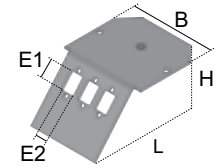
UGET 3 SCS Mounting box installation carrier, fibre-optic technology

Assembly instructions can be found in the Assembly chapter.

Article number	H mm	W mm	L mm	E1 mm	E2 mm	Colour	Data jacks	G kg
S								
UGET-3-SCS113	42	69	95	13.5	9.6	Black (similar to RAL 9011)	3	0.08

has optional accessories:

UG Mounting box, square (Page D06)



UGET 2 KM Mounting box installation carrier, audio/video technology

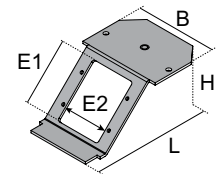
Kindermann

Assembly instructions can be found in the Assembly chapter.

Article number	H mm	W mm	L mm	E1 mm	E2 mm	Colour	Data jacks	G kg
S								
UGET-2-KM113	42	69	107	48	38	Black (similar to RAL 9011)	1	0.09

has optional accessories:

UG Mounting box, square (Page D06)



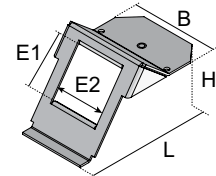
UGET 1 UST45 Mounting box installation carrier, installation devices

Assembly instructions can be found in the Assembly chapter.

Article number	H mm	W mm	L mm	E1 mm	E2 mm	Colour	Installation devices	G kg
S								
UGET-1-UST45113	42	69	107	40.5	40.5	Black (similar to RAL 9011)	1	0.09

has optional accessories:

UG Mounting box, square (Page D06)



UGET 2 XLR Mounting box installation carrier, audio technology

Assembly instructions can be found in the Assembly chapter.

Article number	H mm	W mm	L mm	E1 mm	Colour	Data jacks	G kg
S							
UGET-2-XLR113	42	69	107	23.6	Black (similar to RAL 9011)	2	0.11

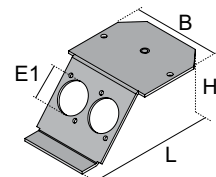
has accessories included:

2 x **BLS 2.9x13** Sheet metal (Page D51)

2 x **BLS 4.8x9.5** screw Sheet metal (Page D51)

has optional accessories:

UG Mounting box, square (Page D06)



Mounting boxes and installation devices

Mounting boxes and device carriers, angular | Mounting boxes UG and cover plates

UG45 Mounting box, square, open

Assembly instructions can be found in the Assembly chapter.

Article number	H mm	H _{min} mm	W mm	L mm	Colour	Installation devices	G kg
ABS							
UG45-4	40	81	74	225	RAL 9011 (graphite black)	4	0.08

has accessories included:

4 x **UGZ** Strain relief device (Page D51)

has optional accessories:

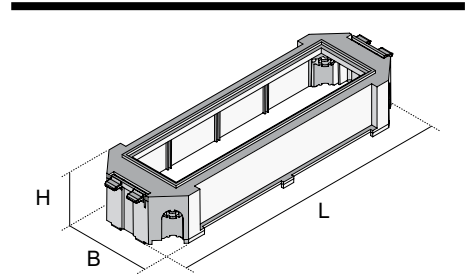
UTG Device separation plate (Page D09)

UAVS 113 Cover plate, snap-in (Page D09)

UA B 113 Cover plate, dummy (Page D09)

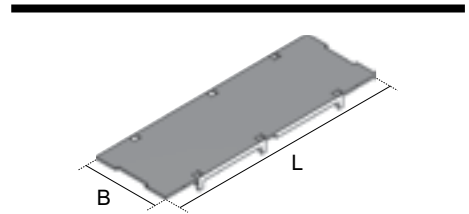
UA B 226 Cover plate, dummy (Page D09)

UAA B Cover, dummy (Page D09)



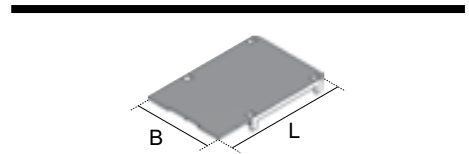
UA B 226 Cover plate, dummy

Article number	W mm	L mm	Colour	G kg
ABS				
UA-B 226	74	226	RAL 9011 (graphite black)	0.03



UA B 113 Cover plate, dummy

Article number	W mm	L mm	Colour	G kg
ABS				
UA-B 113	74	113	RAL 9011 (graphite black)	0.02



UAVS 113 Cover plate, snap-in

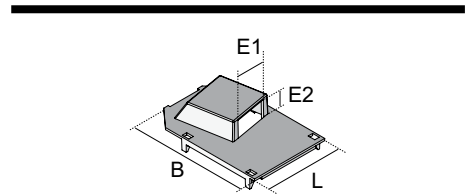
Article number	H mm	W mm	L mm	E1 mm	E2 mm	Colour	G kg
ABS							
UAVS-1-113	18	74	113	33	16	RAL 9011 (graphite black)	0.03

has optional accessories:

UG45-4 Mounting box, square, open (Page D09)

UVS ST WAGO snap-in plug (Page D09)

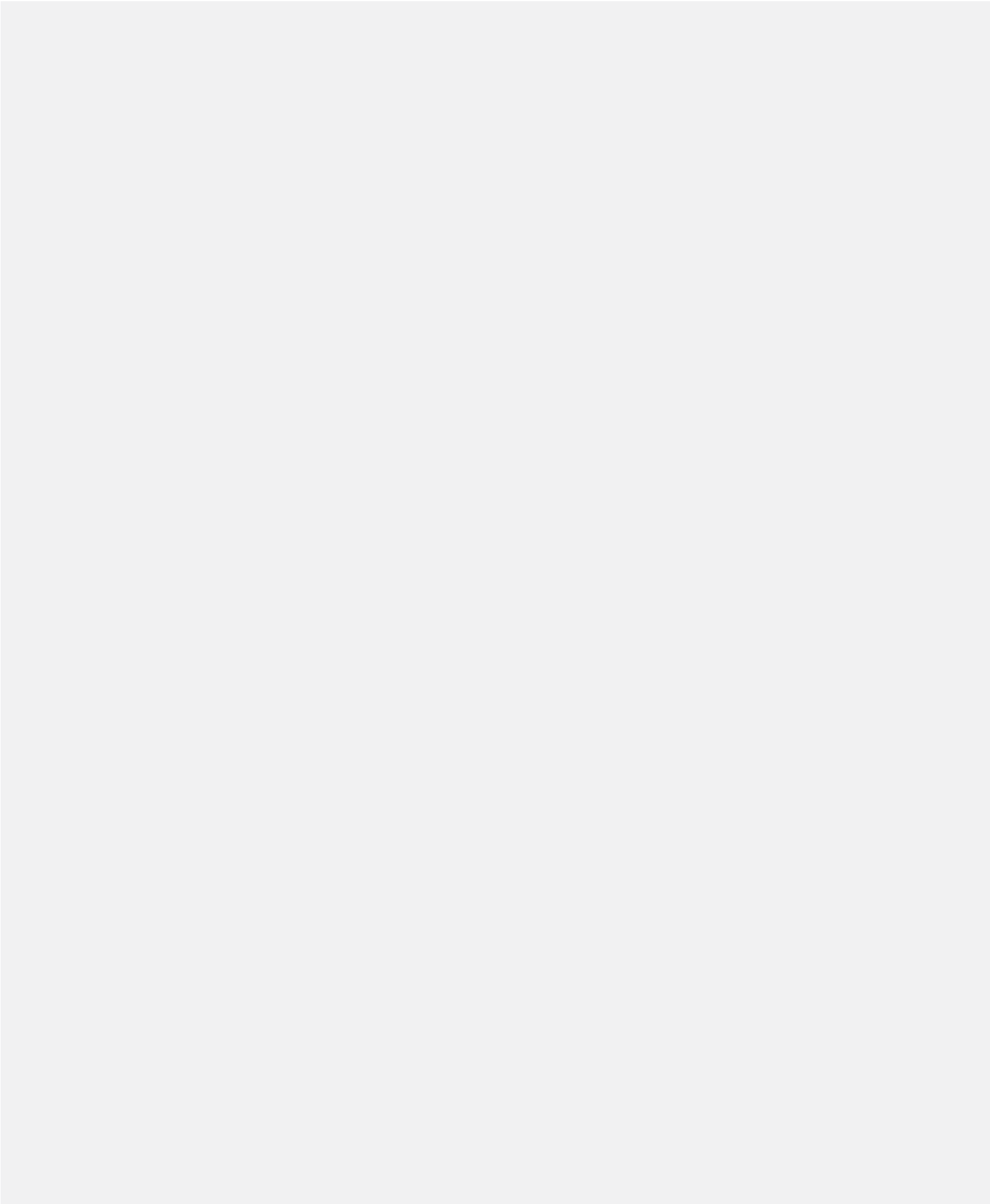
UVSWI ST Wieland snap-in plug (Page D09)



D

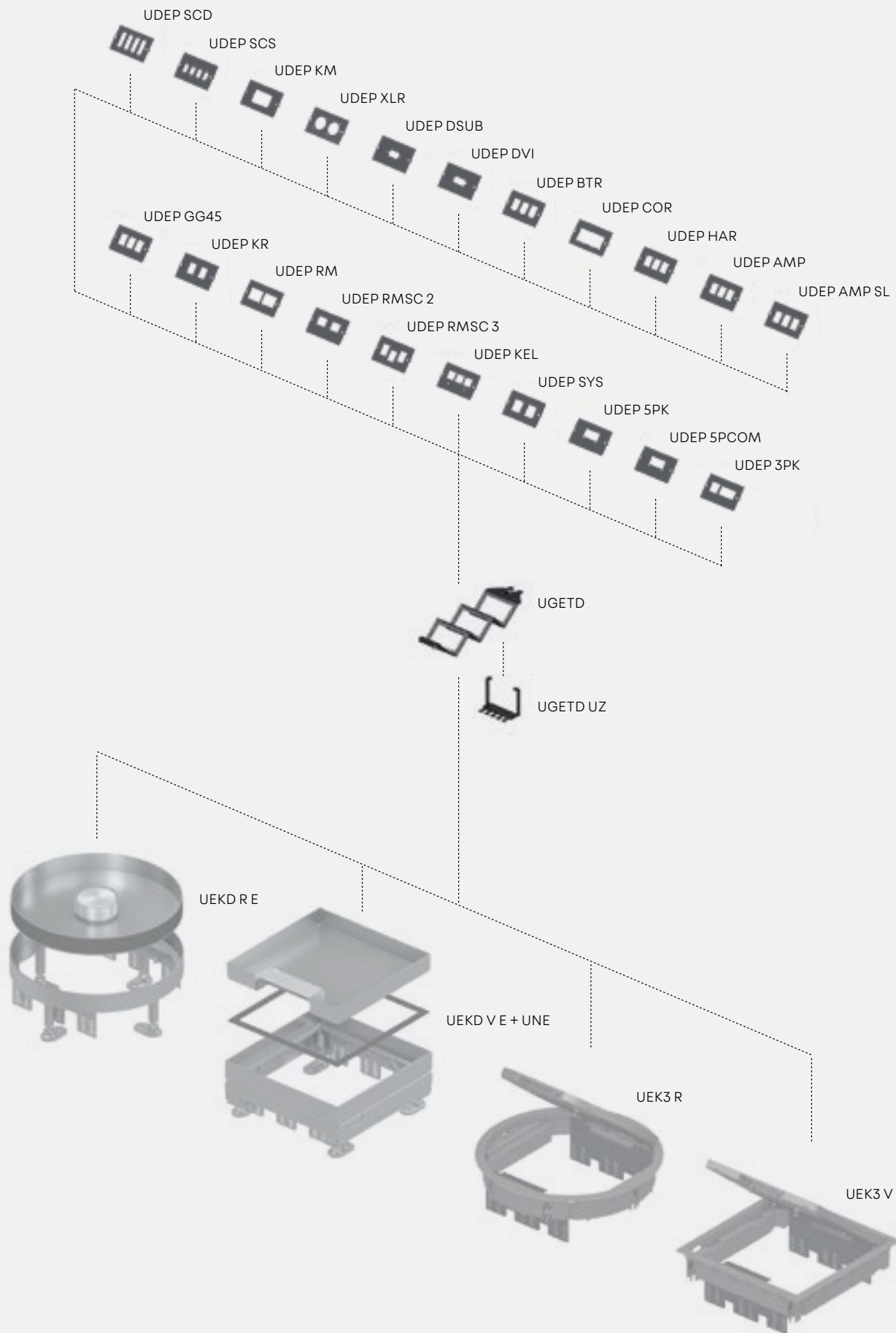
Mounting boxes and installation devices

Data device carrier | System overview



Mounting boxes and installation devices

Data device carrier | System overview



Mounting boxes and installation devices

Data device carrier

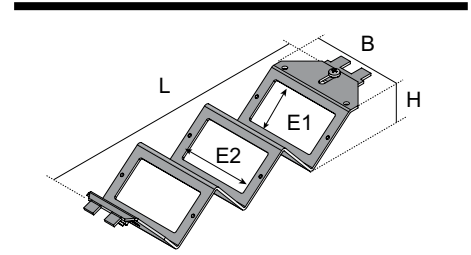
UGETD Device carrier, data, 3x UDEP

Assembly instructions can be found in the Assembly chapter.

Article number	H mm	H _{min} mm	W mm	L mm	E1 mm	E2 mm	Colour	G kg
S								
UGETD-3 226	33	74	75	227	33.5	59.5	Black (similar to RAL 9011)	0.16

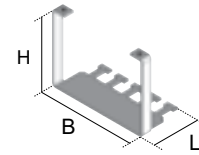
has optional accessories:

UGETD UZ Strain relief device (Page D14)



UGETD UZ Strain relief device

Article number	H mm	W mm	L mm	Colour	G kg
S					
UGETD-UZ	54	72	34	Black (similar to RAL 9011)	0.07

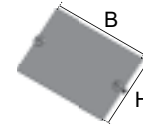


UDEP B Mounting board, dummy

Article number	H mm	W mm	G kg
AL			
UDEP-B	46	75	0.03

has optional accessories:

UGETD Device carrier, data, 3x UDEP (Page D14)



Mounting boxes and installation devices

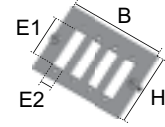
Data device carrier | Mounting board, fibre-optic technology, audio/video technology

UDEP SCD Mounting board, fibre-optic technology

Article number	H mm	W mm	E1 mm	E2 mm	Data jacks	G kg
AL						
UDEP-SCD 4	46	75	26.4	9.8	4	0.03

has optional accessories:

UGETD Device carrier, data, 3x UDEP (Page D14)

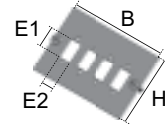


UDEP SCS Mounting board, fibre-optic technology

Article number	H mm	W mm	E1 mm	E2 mm	Data jacks	G kg
AL						
UDEP-SCS 4	46	75	13.5	9.6	4	0.03

has optional accessories:

UGETD Device carrier, data, 3x UDEP (Page D14)



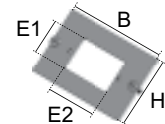
UDEP KM Mounting board, audio/video technology

Kindermann

Article number	H mm	W mm	E1 mm	E2 mm	Data jacks	G kg
AL						
UDEP-KM1	46	75	23	38	1	0.03

has optional accessories:

UGETD Device carrier, data, 3x UDEP (Page D14)

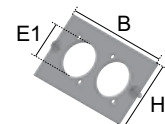


UDEP XLR Mounting board, audio technology

Article number	H mm	W mm	E1 mm	Data jacks	G kg
AL					
UDEP-XLR 2	46	75	23.6	2	0.03

has optional accessories:

UGETD Device carrier, data, 3x UDEP (Page D14)

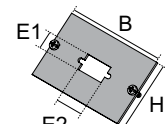


UDEP DSUB Mounting board, audio/video technology

Article number	H mm	W mm	E1 mm	E2 mm	Data jacks	G kg
AL						
UDEP-DSUB91	45.5	75	11.40	20.50	1	0.04

has optional accessories:

UGETD Device carrier, data, 3x UDEP (Page D14)

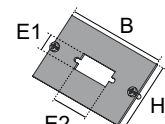


UDEP DVI Mounting board, audio/video technology

Article number	H mm	W mm	E1 mm	E2 mm	Data jacks	G kg
AL						
UDEP-DVI1	45.5	75	11.40	28.00	1	0.04

has optional accessories:

UGETD Device carrier, data, 3x UDEP (Page D14)



D

Mounting boxes and installation devices

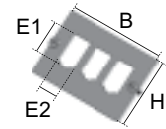
Data device carrier | Mounting board, data technology

UDEP BTR Mounting board, data technology

Article number	H mm	W mm	E1 mm	E2 mm	Data jacks	G kg
AL						
UDEP-BTR3	46	75	19.35/ 21.55	14.85	3	0.03

has optional accessories:

UGETD Device carrier, data, 3x UDEP (Page D14)

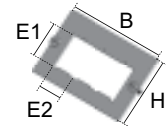


UDEP COR Mounting board, data technology

Article number	H mm	W mm	E1 mm	E2 mm	Data jacks	G kg
AL						
UDEP-COR3	46	75	22.8	18	3	0.03

has optional accessories:

UGETD Device carrier, data, 3x UDEP (Page D14)

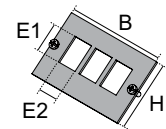


UDEP HAR Mounting board, data technology

Article number	H mm	W mm	E1 mm	E2 mm	Data jacks	G kg
AL						
UDEP-HAR PL3	45.5	75	19.1	14.7	3	0.03

has optional accessories:

UGETD Device carrier, data, 3x UDEP (Page D14)

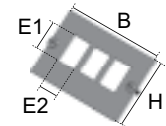


UDEP AMP Mounting board, data technology

Article number	H mm	W mm	E1 mm	E2 mm	Data jacks	G kg
AL						
UDEP-AMP3	46	75	19.3	14.6	3	0.03

has optional accessories:

UGETD Device carrier, data, 3x UDEP (Page D14)

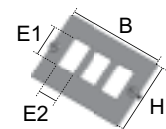


UDEP AMP SL Mounting board, data technology

Article number	H mm	W mm	E1 mm	E2 mm	Data jacks	G kg
AL						
UDEP-AMP SL3	46	75	20.25	14.78	3	0.03

has optional accessories:

UGETD Device carrier, data, 3x UDEP (Page D14)

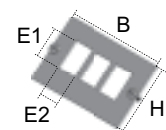


UDEP GG45 Mounting board, data technology

Article number	H mm	W mm	E1 mm	E2 mm	Data jacks	G kg
AL						
UDEP-GG453	46	75	20.1	14.7	3	0.03

has optional accessories:

UGETD Device carrier, data, 3x UDEP (Page D14)



Mounting boxes and installation devices

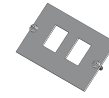
Data device carrier | Mounting board, data technology

UDEP KR Mounting board, data technology

Article number	H mm	W mm	E1 mm	E2 mm	Data jacks	G kg
AL						
UDEP-KR 2	46	75	19.4	14.8	2	0.03

has optional accessories:

UGETD Device carrier, data, 3x UDEP (Page D14)

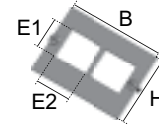


UDEP RM Mounting board, data technology

Article number	H mm	W mm	E1 mm	E2 mm	Data jacks	G kg
AL						
UDEP-RM 2	46	75	20.1	27.6	2	0.03

has optional accessories:

UGETD Device carrier, data, 3x UDEP (Page D14)

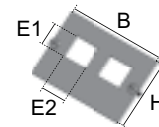


UDEP RMSC 2 Mounting board, data technology

Article number	H mm	W mm	E1 mm	E2 mm	Data jacks	G kg
AL						
UDEP-RMSC 2	46	75	14.9	19.5	2	0.03

has optional accessories:

UGETD Device carrier, data, 3x UDEP (Page D14)

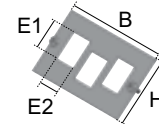


UDEP RMSC 3 Mounting board, data technology

Article number	H mm	W mm	E1 mm	E2 mm	Data jacks	G kg
AL						
UDEP-RMSC 3	46	75	19.5	14.9	3	0.03

has optional accessories:

UGETD Device carrier, data, 3x UDEP (Page D14)

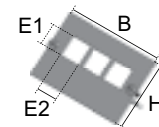


UDEP KEL Mounting board, data technology

Article number	H mm	W mm	E1 mm	E2 mm	Data jacks	G kg
AL						
UDEP-KEL 3	46	75	14.2	16.2	3	0.03

has optional accessories:

UGETD Device carrier, data, 3x UDEP (Page D14)

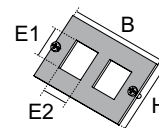


UDEP SYS Mounting board, data technology

Article number	H mm	W mm	E1 mm	E2 mm	Data jacks	G kg
AL						
UDEP-SYS 2	45.5	75	20.8	19.7	2	0.04

has optional accessories:

UGETD Device carrier, data, 3x UDEP (Page D14)



Mounting boxes and installation devices

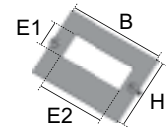
Data device carrier | Mounting board, data technology

UDEP 5PK Mounting board, plug-in systems

Article number	H mm	W mm	E1 mm	E2 mm	G kg
AL					
UDEP-5PK 1	46	75	16.6	52.5	0.03

has optional accessories:

UGETD Device carrier, data, 3x UDEP (Page D14)

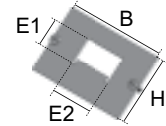


UDEP 5PCOM Mounting board, plug-in systems

Article number	H mm	W mm	E1 mm	E2 mm	G kg
AL					
UDEP-5PCOM 1	46	75	18.5	31.8	0.03

has optional accessories:

UGETD Device carrier, data, 3x UDEP (Page D14)

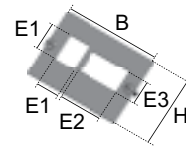


UDEP 3PK Mounting board, plug-in systems

Article number	H mm	W mm	E1 mm	E2 mm	E3 mm	G kg
AL						
UDEP-3PK 2	46	75	17.8	33	15.6	0.03

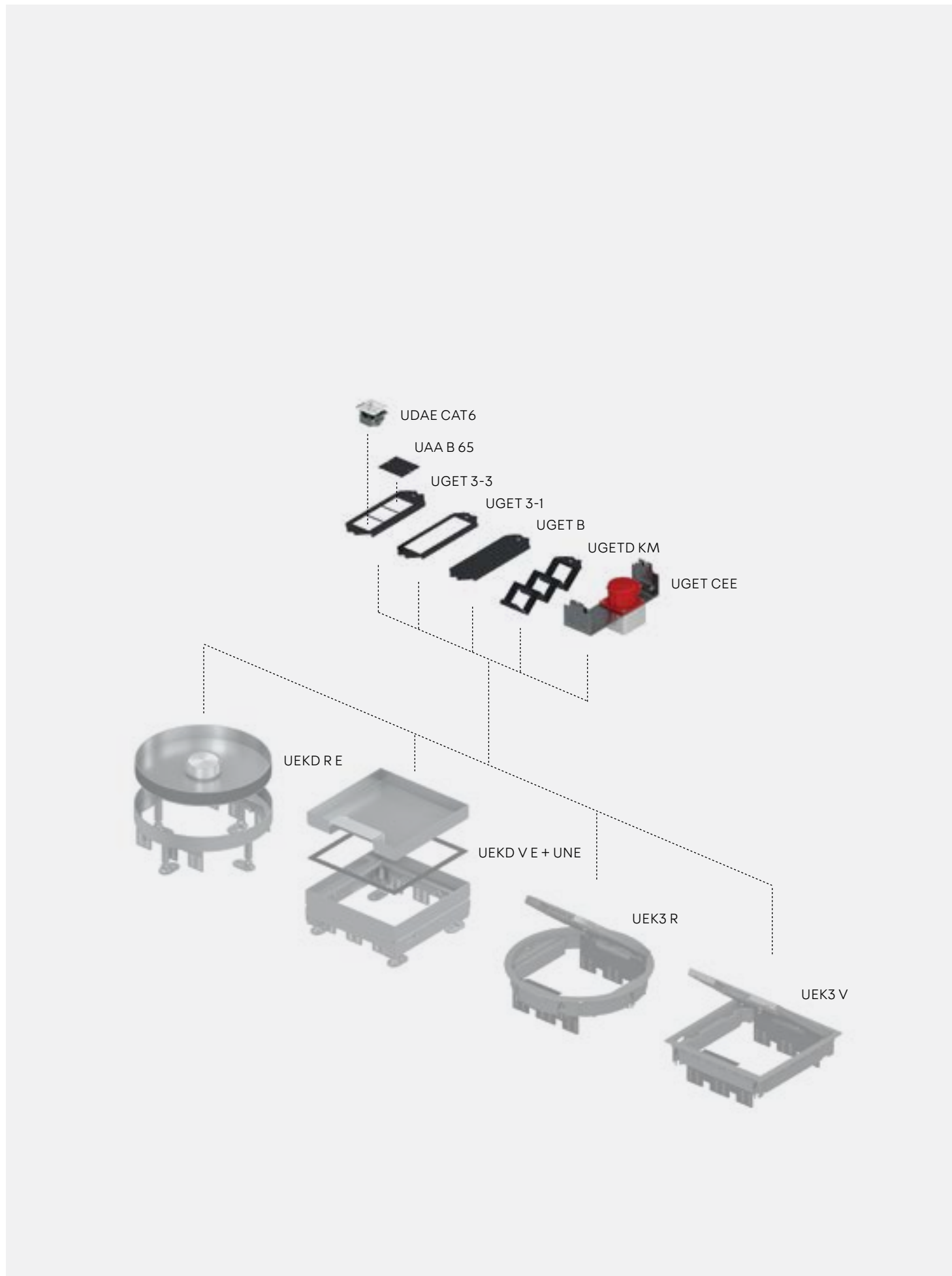
has optional accessories:

UGETD Device carrier, data, 3x UDEP (Page D14)



Mounting boxes and installation devices

Device carrier | System overview



Mounting boxes and installation devices

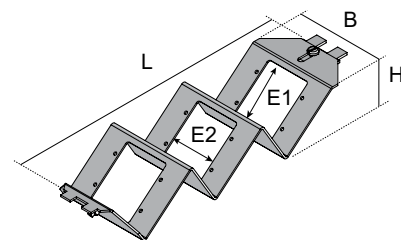
Device carrier

UGETD KM Device carrier, audio/video technology

Kindermann

Assembly instructions can be found in the Assembly chapter.

Article number	H mm	H _{min} mm	W mm	L mm	E1 mm	E2 mm	Colour	Data jacks	G kg
S									
UGETD-6-KM 226	40	83	75	227	48	38	Black (similar to RAL 9011)	3	0.21

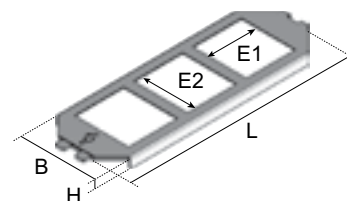


UGET 3-3 Device carrier, 3x UDAE

Article number	H mm	W mm	L mm	E1 mm	E2 mm	Colour	G kg
AL							
UGET-3-3 226	10	75	220	50	50	Black (similar to RAL 9011)	0.12

has optional accessories:

UAA B 65 Cover (Page D23)

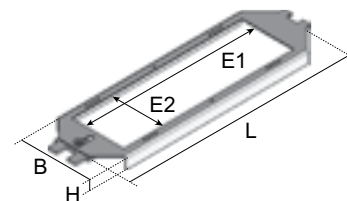


UGET 3-1 Device carrier, 3x AMP/ACO

Article number	H mm	W mm	L mm	E1 mm	E2 mm	Colour	G kg
AL							
UGET-3-1 226	7	71.5	226	177	50.5	Black (similar to RAL 9011)	0.10

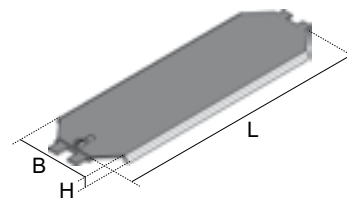
has optional accessories:

UAA B 65 Cover (Page D23)



UGET B Device carrier, dummy

Article number	H mm	W mm	L mm	Colour	G kg
AL					
UGET-B 226	7	71.5	226	Black (similar to RAL 9011)	0.17



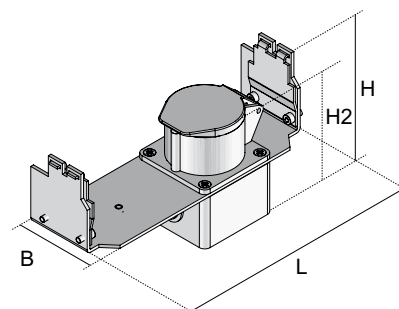
UGET CEE Device carrier, CEE socket

Suitable for centred installation in the corresponding snap-in ladder
Assembly instructions can be found in the Assembly chapter.

Article number	H mm	H2 mm	H _{min} mm	W mm	L mm	Design	G kg
S							
UGET-CEE16 226	122	115	185	75	236	16 A (3-pin + N + PE)	0.90
UGET-CEE32 226	122	120	210	75	236	32 A (3-pin + N + PE)	0.96

has optional accessories:

UGEARL Snap-in ladder extension, 3x (Page C11)

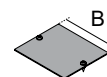


Mounting boxes and installation devices

Device carrier

UAA B 65 Cover

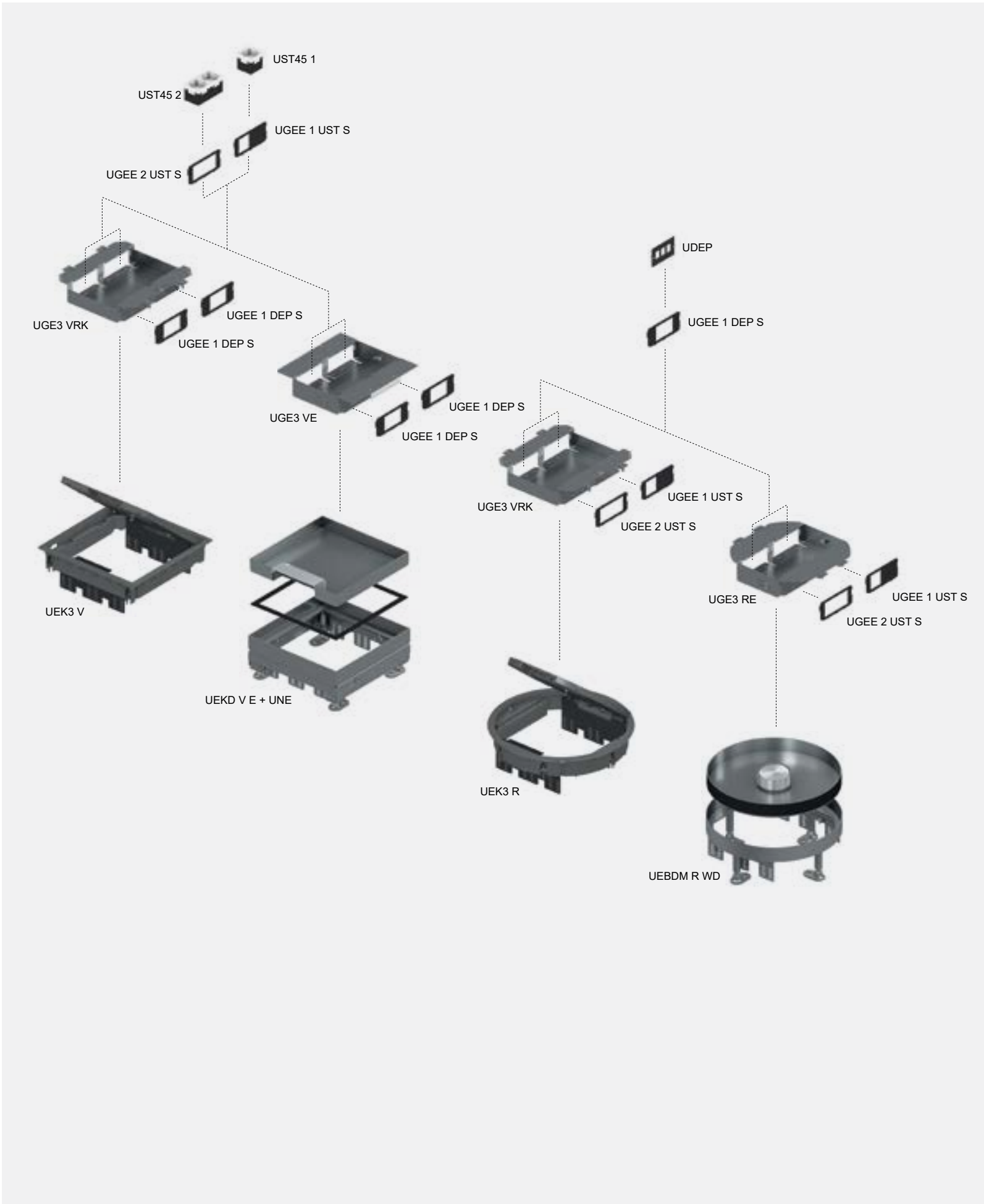
Article number	W mm	Colour	G kg
S			
UAA-B 65S	65	Black (similar to RAL 9011)	0.03



D

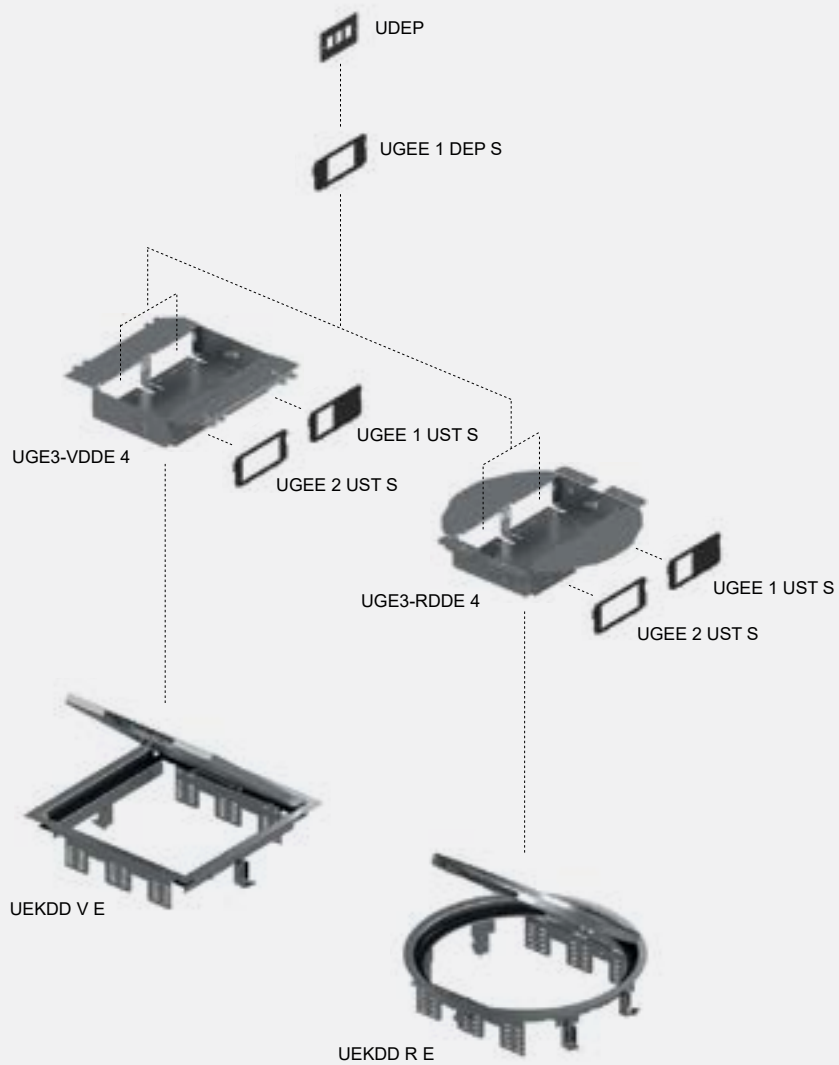
Mounting boxes and installation devices

Device insert | System overview



Mounting boxes and installation devices

Device insert | System overview



Mounting boxes and installation devices

Device insert

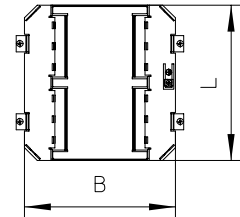
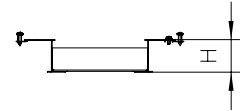
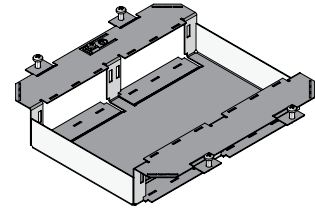
UGE3 VRK Device insert, 3x, for plastic units

Device insert for insertion into an installation unit made from plastic. With device panels suitable for holding up to 4 installation units 45x45 mm and 6 individual data jacks.

Article number	H mm	H _{min} mm	W mm	L mm	Installation devices	Data jacks	G kg
S							
UGE3-VRK 4	47	63	252	226	4	6	0.53

has optional accessories:

- UGEE1 DEP S** Device panel, data technology (Page D28)
- UGEE1 UST S** Device panel, power technology (Page D28)
- UGEE2 UST S** Device panel, power technology (Page D28)



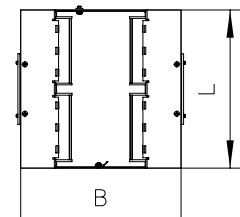
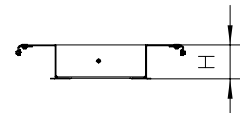
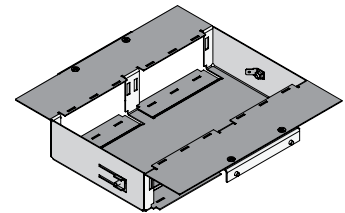
UGE3 VE Device insert, 3x, for stainless steel units, angular

Device insert for insertion into a square installation unit made from stainless steel. With device panels suitable for holding up to 4 installation units 45x45 mm and 6 individual data jacks.

Article number	H mm	H _{min} mm	W mm	L mm	Data jacks	G kg
S						
UGE3-VE 4	47	85	227	224	6	0.59

has optional accessories:

- UGEE1 DEP S** Device panel, data technology (Page D28)
- UGEE1 UST S** Device panel, power technology (Page D28)
- UGEE2 UST S** Device panel, power technology (Page D28)



Mounting boxes and installation devices

Device insert

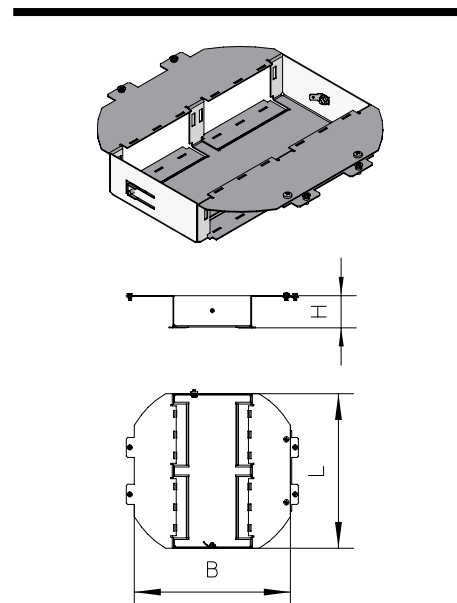
UGE3 RE Device insert, 3x, for stainless steel units, round

Device insert for insertion into a round installation unit made from stainless steel. With device panels suitable for holding up to 4 installation units 45x45 mm and 6 individual data jacks.

Article number	H mm	H _{min} mm	W mm	L mm	Data jacks	G kg
S						
UGE3-RE 4	47	100	247	226	6	0.53

has optional accessories:

- UGEE 1 DEP S** Device panel, data technology (Page D28)
- UGEE 1 UST S** Device panel, power technology (Page D28)
- UGEE 2 UST S** Device panel, power technology (Page D28)



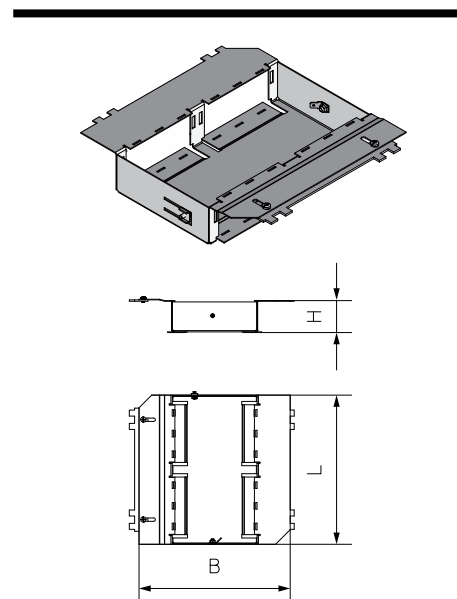
UGE3-VDDE 4 Device insert, 3x, for stainless steel cartridge units, angular

Device insert for insertion into a round cartridge unit made from stainless steel. With device panels suitable for holding up to 4 installation units 45x45 mm and 6 individual data jacks.

Article number	H mm	H _{min} mm	W mm	L mm	Data jacks	G kg
S						
UGE3-RE 4	47	75	227	224	6	0.59

has optional accessories:

- UGEE 1 DEP S** Device panel, data technology (Page D28)
- UGEE 1 UST S** Device panel, power technology (Page D28)
- UGEE 2 UST S** Device panel, power technology (Page D28)



Mounting boxes and installation devices

Device insert | Accessories

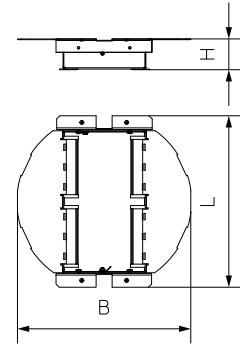
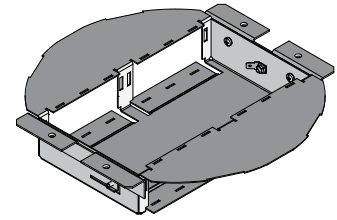
UGE3-RDDE 4 Device insert, 3x, for stainless steel cartridge units, round

Device insert for insertion into a round cartridge unit made from stainless steel. With device panels suitable for holding up to 4 installation units 45x45 mm and 6 individual data jacks.

Article number	H mm	H _{min} mm	W mm	L mm	Data jacks	G kg
S						
UGE3-RE 4	48	75	271	222	6	0.68

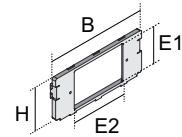
has optional accessories:

UGEE1DEP S	Device panel, data technology	(Page D28)
UGEE1UST S	Device panel, power technology	(Page D28)
UGEE2UST S	Device panel, power technology	(Page D28)



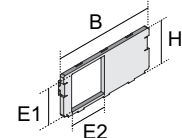
UGEE1DEP S Device panel, data technology

Article number	H mm	W mm	E1 mm	E2 mm	Colour	G kg
PA						
UGEE-1-DEP-S	46	105	40.40	59.50	Black (similar to RAL 9011)	0.01



UGEE1UST S Device panel, power technology

Article number	H mm	W mm	E1 mm	E2 mm	Colour	G kg
PA						
UGEE-1-UST-S	46	105	40.50	40.50	Black (similar to RAL 9011)	0.01

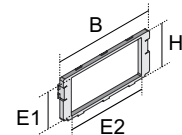


has optional accessories:

UST451	Socket, single	(Page D28)
---------------	----------------	------------

UGEE2UST S Device panel, power technology

Article number	H mm	W mm	E1 mm	E2 mm	Colour	G kg
PA						
UGEE-2-UST-S	46	105	40.40	85.50	Black (similar to RAL 9011)	0.01

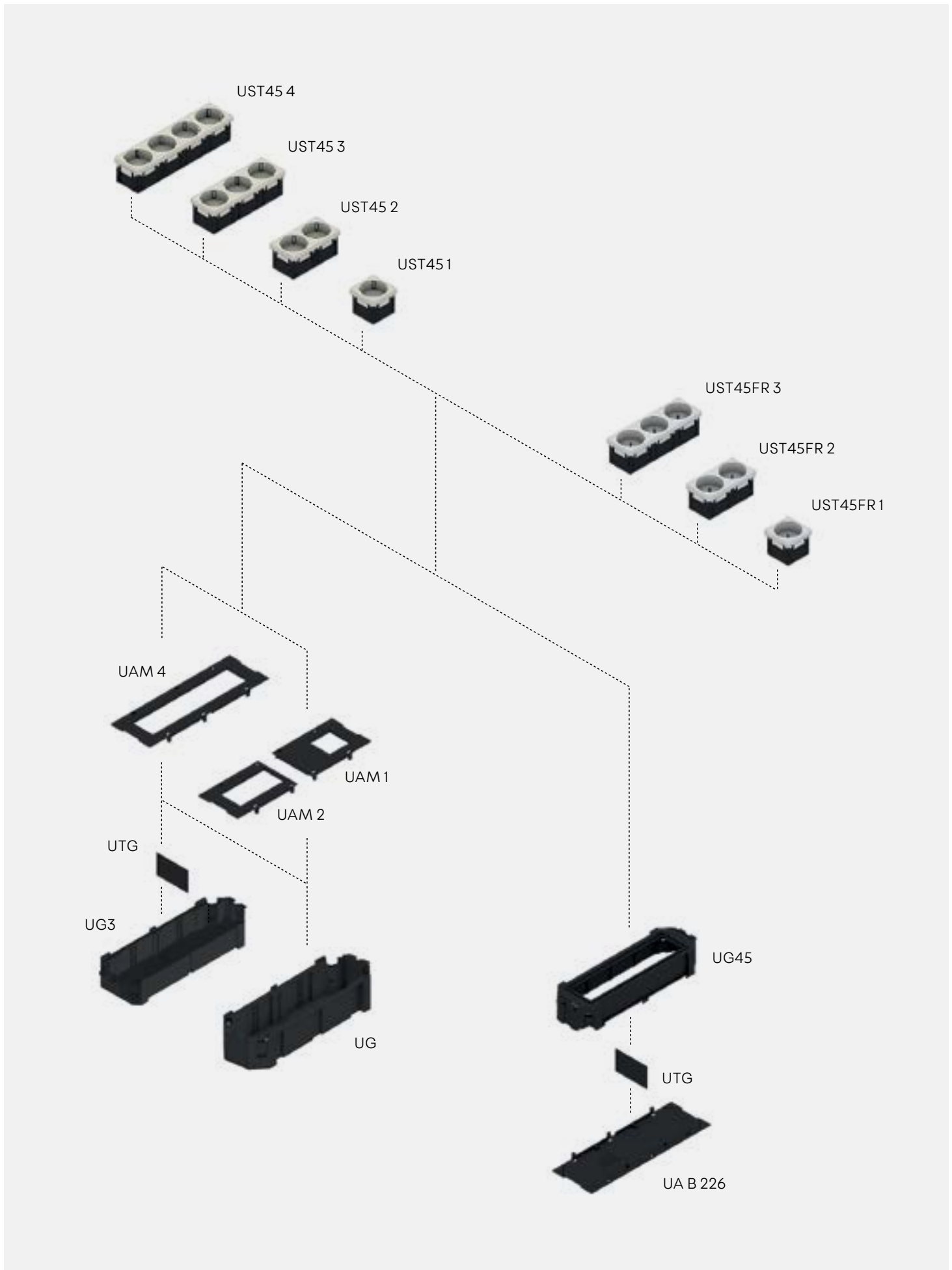


has optional accessories:

UST451	Socket, single	(Page D28)
---------------	----------------	------------

Mounting boxes and installation devices

Power technology | System overview



Mounting boxes and installation devices

Power technology

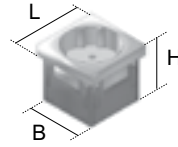
UST45 1 Socket, single

Assembly instructions can be found in the Assembly chapter.

Article number	H mm	W mm	L mm	Colour	Plug angle °	G kg
PC						
UST45-W 1	42	40	45	White (similar to RAL 9010)	33	0.04
UST45-R 1	42	40	45	Red (similar to RAL 3003)	33	0.04
UST45-O 1	42	40	45	Orange (similar to RAL 2004)	33	0.04
UST45-G 1	42	40	45	Green (similar to RAL 6029)	33	0.04
UST45-W 01	42	40	45	White (similar to RAL 9010)	0	0.04
UST45-R 01	42	40	45	Red (similar to RAL 3003)	0	0.04
UST45-O 01	42	40	45	Orange (similar to RAL 2004)	0	0.04
UST45-G 01	42	40	45	Green (similar to RAL 6029)	0	0.04
UST45-S 01	42	40	45	Black (similar to RAL 7021)	0	0.04

has optional accessories:

UAM 1 Cover plate for 1xUST45 (Page D07)



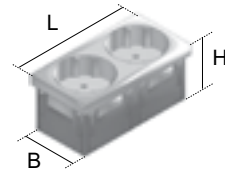
UST45 2 Socket, double

Assembly instructions can be found in the Assembly chapter.

Article number	H mm	W mm	L mm	Colour	Plug angle °	G kg
PC						
UST45-W 2	42	40	90	White (similar to RAL 9010)	33	0.07
UST45-R 2	42	40	90	Red (similar to RAL 3003)	33	0.07
UST45-O 2	42	40	90	Orange (similar to RAL 2004)	33	0.07
UST45-G 2	42	40	90	Green (similar to RAL 6029)	33	0.07

has optional accessories:

UAM 2 Cover plate for 2xUST45 (Page D07)



UST45 3 Socket, triple

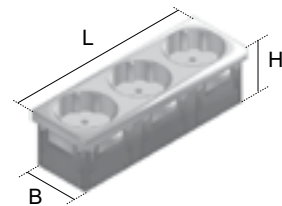
Assembly instructions can be found in the Assembly chapter.

Article number	H mm	W mm	L mm	Colour	Plug angle °	G kg
PC						
UST45-W 3	42	40	135	White (similar to RAL 9010)	33	0.11
UST45-R 3	42	40	135	Red (similar to RAL 3003)	33	0.11
UST45-O 3	42	40	135	Orange (similar to RAL 2004)	33	0.11
UST45-G 3	42	40	135	Green (similar to RAL 6029)	33	0.11

has optional accessories:

UAM 4 Cover plate for 4xUST45 (Page D07)

UAA B Cover, dummy (Page D07)



Mounting boxes and installation devices

Power technology

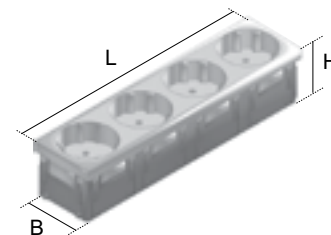
UST45 4 Socket, four-way

Assembly instructions can be found in the Assembly chapter.

Article number	H mm	W mm	L mm	Colour	Plug angle °	G kg
PC						
UST45-W 4	40	40	180	White (similar to RAL 9003)	45	0.12
UST45-R 4	40	40	180	Red (similar to RAL 3000)	45	0.12

has optional accessories:

UAM 4 Cover plate for 4xUST45 (Page D07)



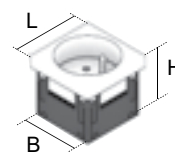
UST45 FR 1 Installation socket with earthing pin, single

Assembly instructions can be found in the Assembly chapter.

Article number	H mm	W mm	L mm	Colour	Plug angle °	G kg
PC						
UST45FR-W1	42	40	45	White (similar to RAL 9010)	33	0.04
UST45FR-R1	42	40	45	Red (similar to RAL 3003)	33	0.04

has optional accessories:

UAM 1 Cover plate for 1xUST45 (Page D07)



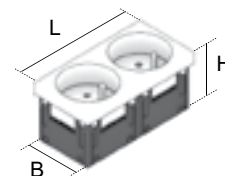
UST45 FR 2 Installation socket with earthing pin, double

Assembly instructions can be found in the Assembly chapter.

Article number	H mm	W mm	L mm	Colour	Plug angle °	G kg
PC						
UST45FR-W 2	42	40	90	White (similar to RAL 9010)	33	0.07
UST45FR-R 2	42	40	90	Red (similar to RAL 3003)	33	0.07

has optional accessories:

UAM 2 Cover plate for 2xUST45 (Page D07)



UST45 FR 3 Installation socket with earthing pin, triple

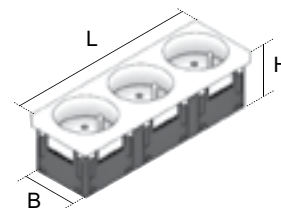
Assembly instructions can be found in the Assembly chapter.

Article number	H mm	W mm	L mm	Colour	Plug angle °	G kg
PC						
UST45FR-W 3	42	40	135	White (similar to RAL 9010)	33	0.11
UST45FR-R 3	42	40	135	Red (similar to RAL 3003)	33	0.11

has optional accessories:

UAM 4 Cover plate for 4xUST45 (Page D07)

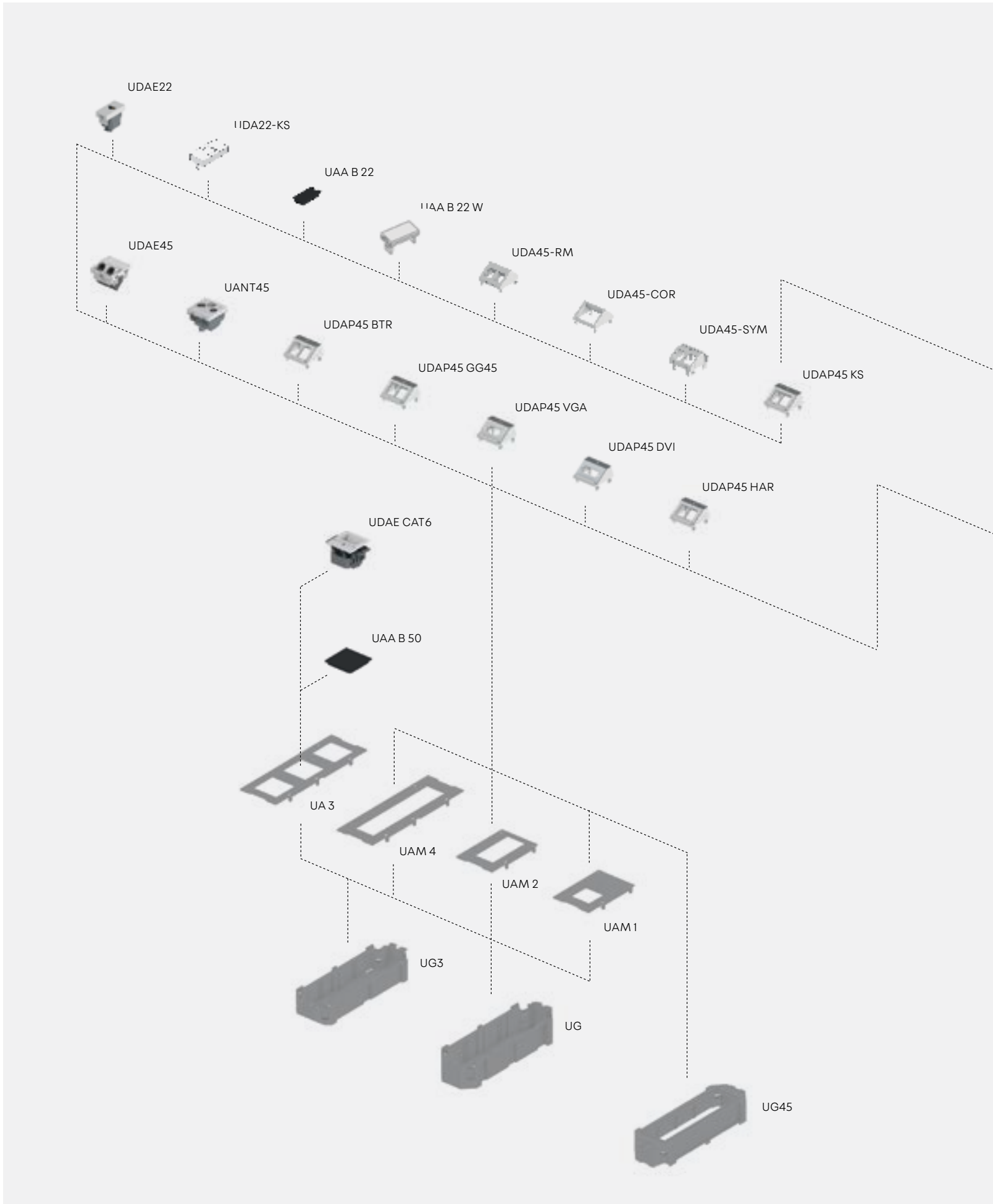
UAAB Cover, dummy (Page D07)



D

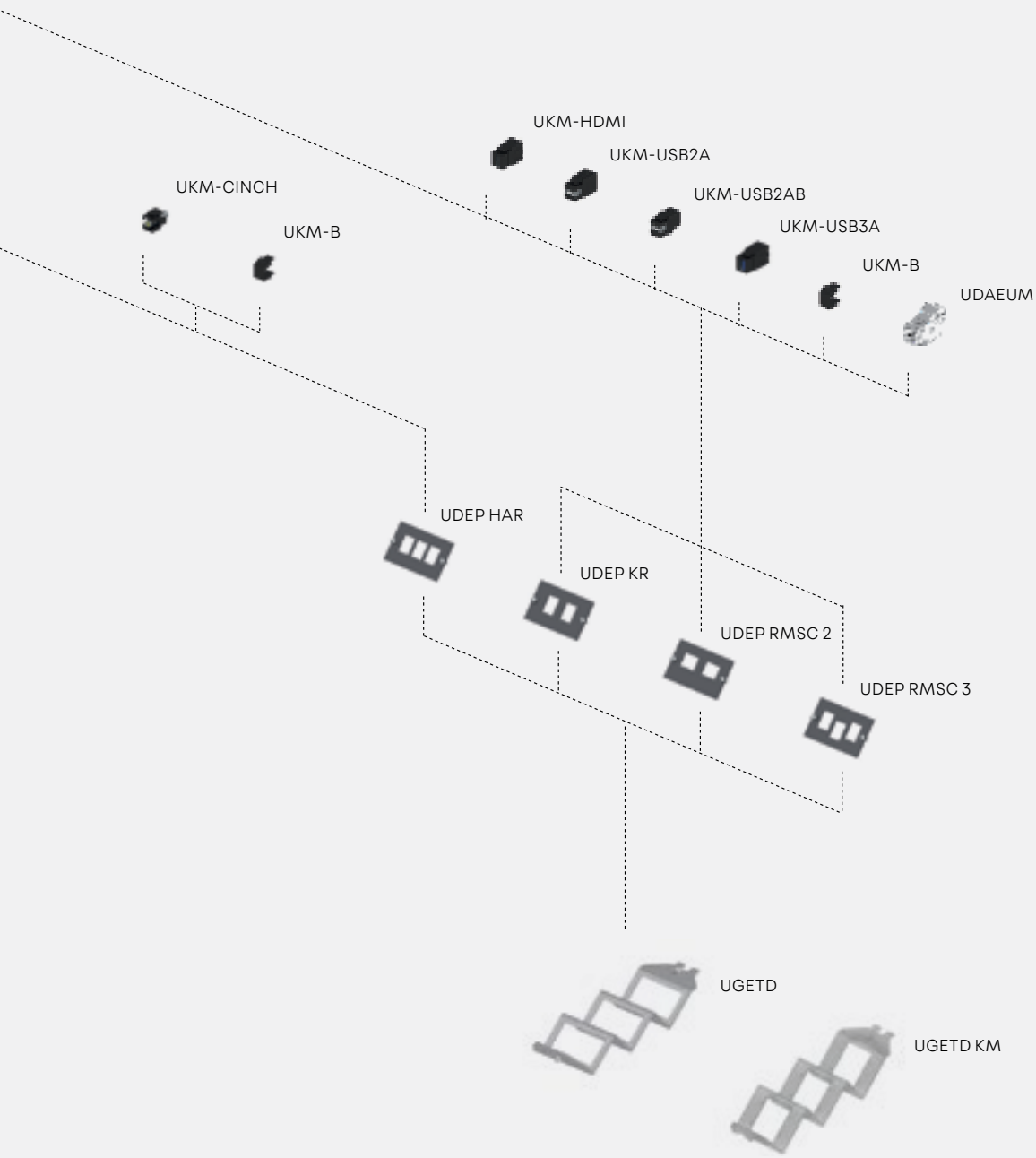
Mounting boxes and installation devices

Data technology / Multimedia | System overview



Mounting boxes and installation devices

Data technology / Multimedia | System overview



Mounting boxes and installation devices

Data technology / Multimedia

UDAE22 Data connection box, 1x

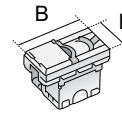
Article number	W mm	L mm	Co- lour	G kg
----------------	---------	---------	-------------	---------

PC

UDAE22-CAT6 8	45	22.5	White	0.04
----------------------	----	------	-------	------

has optional accessories:

UAM1	Cover plate for 1xUST45	(Page D07)
UAA B 22 W	Cover	(Page D37)
UAA B 22	Cover	(Page D37)



UDA22-KS Data cover, Keystone

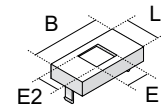
Article number	W mm	L mm	E1 mm	E2 mm	Co- lour	G kg
----------------	---------	---------	----------	----------	-------------	---------

PC

UDA22-KS1	45	22.5	19.5	14.7	White	0.01
------------------	----	------	------	------	-------	------

has optional accessories:

UG45	Mounting box, square, open	(Page D12)
-------------	----------------------------	------------

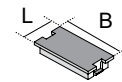


UAA B 22 Cover

Article number	W mm	L mm	Colour	G kg
----------------	---------	---------	--------	---------

ABS

UAA-B 22	45	22.5	Black	0.01
-----------------	----	------	-------	------

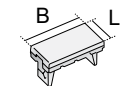


UAA B 22 W Cover

Article number	W mm	L mm	Co- lour	G kg
----------------	---------	---------	-------------	---------

PC

UAA-B 22-W	45	22.5	White	0.01
-------------------	----	------	-------	------



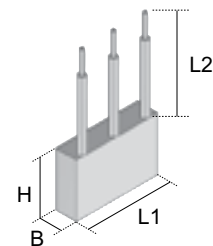
USSM Overvoltage protection module Class III/D/Type 3

Assembly instructions can be found in the Assembly chapter.

Article number	H mm	W mm	L1 mm	L2 mm	Co- lour	G kg
----------------	---------	---------	----------	----------	-------------	---------

PA

USSM	9	24	36	95	Red	0.01
-------------	---	----	----	----	-----	------



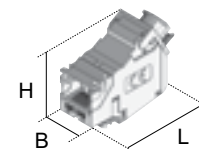
UDAEUM Data connection module

Article number	H mm	W mm	L mm	Ports	G kg
----------------	---------	---------	---------	-------	---------

UDAEUM-CAT61	31	14.6	35.5	1	0.03
---------------------	----	------	------	---	------

has optional accessories:

UDEP KR	Mounting board, data technology	(Page D17)
UDEP RMSC 3	Mounting board, data technology	(Page D17)
UDAP45 KS	Data cover, Keystone	(Page D39)
UDA22-KS	Data cover, Keystone	(Page D36)



Mounting boxes and installation devices

Data technology / Multimedia

UKM-USB2A Keystone mounting adapter, USB 2.0

Article number	H mm	W mm	L mm	G kg
PC				
UKM-USB2A-S	19.5	14.7	50	0.01



UKM-USB2AB Keystone mounting adapter, USB 2.0

Article number	H mm	W mm	L mm	G kg
PC				
UKM-USB2AB-S	19.5	14.7	50	0.01



UKM-USB3A Keystone mounting adapter, USB 3.0

Article number	H mm	W mm	L mm	G kg
PC				
UKM-USB3A-S	19.5	14.7	50	0.01



UKM-CINCH Keystone mounting adapter, cinch

Article number	H mm	W mm	L mm	Colour	G kg
PC					
UKM-CINCHW-W	19.1	14.7	50	White	0.02
UKM-CINCHG-W	19.1	14.7	50	Yellow	0.02
UKM-CINCHR-W	19.1	14.7	50	Red	0.02



UKM-HDMI Keystone mounting adapter, HDMI

Article number	H mm	W mm	L mm	G kg
PC				
UKM-HDMI-S	19.5	14.7	50	0.01



UKM-B Keystone dummy inserts

Article number	H mm	W mm	Colour	G kg
PC				
UKM-B-S	19.5	14.7	Black	0.02



D

Mounting boxes and installation devices

Data technology / Multimedia

UDAE45 Data connection box, 2x, unshielded

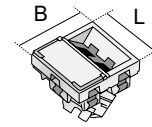
Article number	W mm	L mm	Co- lour	G kg
----------------	---------	---------	-------------	---------

PC

UDAE45-CAT6U 8/8	45	45	White	0.03
-------------------------	----	----	-------	------

has optional accessories:

UAM1 Cover plate for 1xUST45 (Page D07)



UANT45 TV/radio/SAT single socket

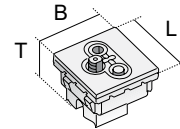
Article number	W mm	L mm	D mm	Co- lour	G kg
----------------	---------	---------	---------	-------------	---------

PC

UANT451	45	45	33	White	0.07
----------------	----	----	----	-------	------

has optional accessories:

UAM1 Cover plate for 1xUST45 (Page D07)



UAPAM 45 Cable outlet

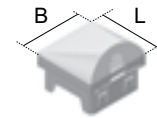
Article number	W mm	L mm	Co- lour	G kg
----------------	---------	---------	-------------	---------

PC

UAPAM-KA 45	45	45	White	0.01
--------------------	----	----	-------	------

has optional accessories:

UAM1 Cover plate for 1xUST45 (Page D07)



UDA45-COR Data cover, Corning

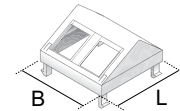
Article number	W mm	L mm	Co- lour	G kg
----------------	---------	---------	-------------	---------

ABS

UDA45-COR 2	45	45	White	0.02
--------------------	----	----	-------	------

has optional accessories:

UG45 Mounting box, square, open (Page D12)



UDA45-RM Data cover, Reichle & De-Massari

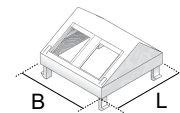
Article number	W mm	L mm	Co- lour	G kg
----------------	---------	---------	-------------	---------

ABS

UDA45-RM 2	45	45	White	0.02
-------------------	----	----	-------	------

has optional accessories:

UG45 Mounting box, square, open (Page D12)



UDA45-SYM Data cover, Systimax

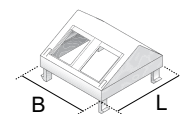
Article number	W mm	L mm	Co- lour	G kg
----------------	---------	---------	-------------	---------

ABS

UDA45-SYM 2	45	45	White	0.02
--------------------	----	----	-------	------

has optional accessories:

UG45 Mounting box, square, open (Page D12)



Mounting boxes and installation devices

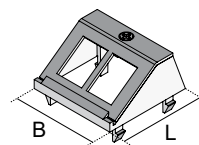
Data technology / Multimedia

UDAP45 KS Data cover, Keystone

Article number	H mm	W mm	L mm	Colour	G kg
PA AL					
UDAP45-KS 2	22	45	45	Black	0.01

has optional accessories:

UG45 Mounting box, square, open (Page D12)

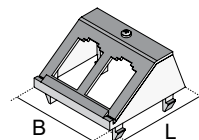


UDAP45 BTR Data cover, BTR

Article number	H mm	W mm	L mm	Colour	G kg
PA AL					
UDAP45-BTR 2	22	45	45	Black	0.01

has optional accessories:

UG45 Mounting box, square, open (Page D12)

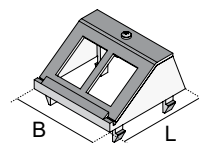


UDAP45 GG45 Data cover

Article number	H mm	W mm	L mm	Colour	G kg
PA AL					
UDAP45-GG45 2	22	45	45	Black	0.01

has optional accessories:

UG45 Mounting box, square, open (Page D12)

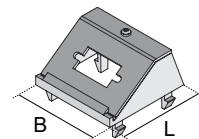


UDAP45 VGA Data cover, 45x45 mm

Article number	H mm	W mm	L mm	Colour	G kg
PA AL					
UDAP45-VGA 1	22	45	45	Black	0.01

has optional accessories:

UG45 Mounting box, square, open (Page D12)

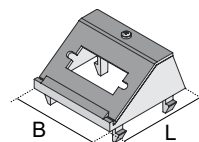


UDAP45 DVI Data cover, 45x45 mm

Article number	H mm	W mm	L mm	Colour	G kg
PA AL					
UDAP45-DVI 1	22	45	45	Black	0.01

has optional accessories:

UG45 Mounting box, square, open (Page D12)



D

Mounting boxes and installation devices

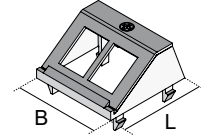
Data technology / Multimedia

UDAP45 HAR Data cover, 45x45 mm

Article number	H mm	W mm	L mm	Colour	G kg
PA AL					
UDAP45-HAR PL2	22	45	45	Black	0.01

has optional accessories:

UG45 Mounting box, square, open (Page D12)



UDAE CAT6 Data connection box

Assembly instructions can be found in the Assembly chapter.

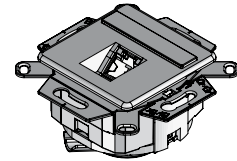
Article number	H mm	W mm	L mm	Colour	Ports	G kg
PC						
UDAE-CAT6 8	40	50	50	Pearl white (similar to RAL1013)	1	0.15
UDAE-CAT6 8/8	40	50	50	Pearl white (similar to RAL1013)	2	0.16

has optional accessories:

UA 3 Cover plate for 3xUDAE (Page D06)

UA 1 Cover plate for 1xUDAE (Page D07)

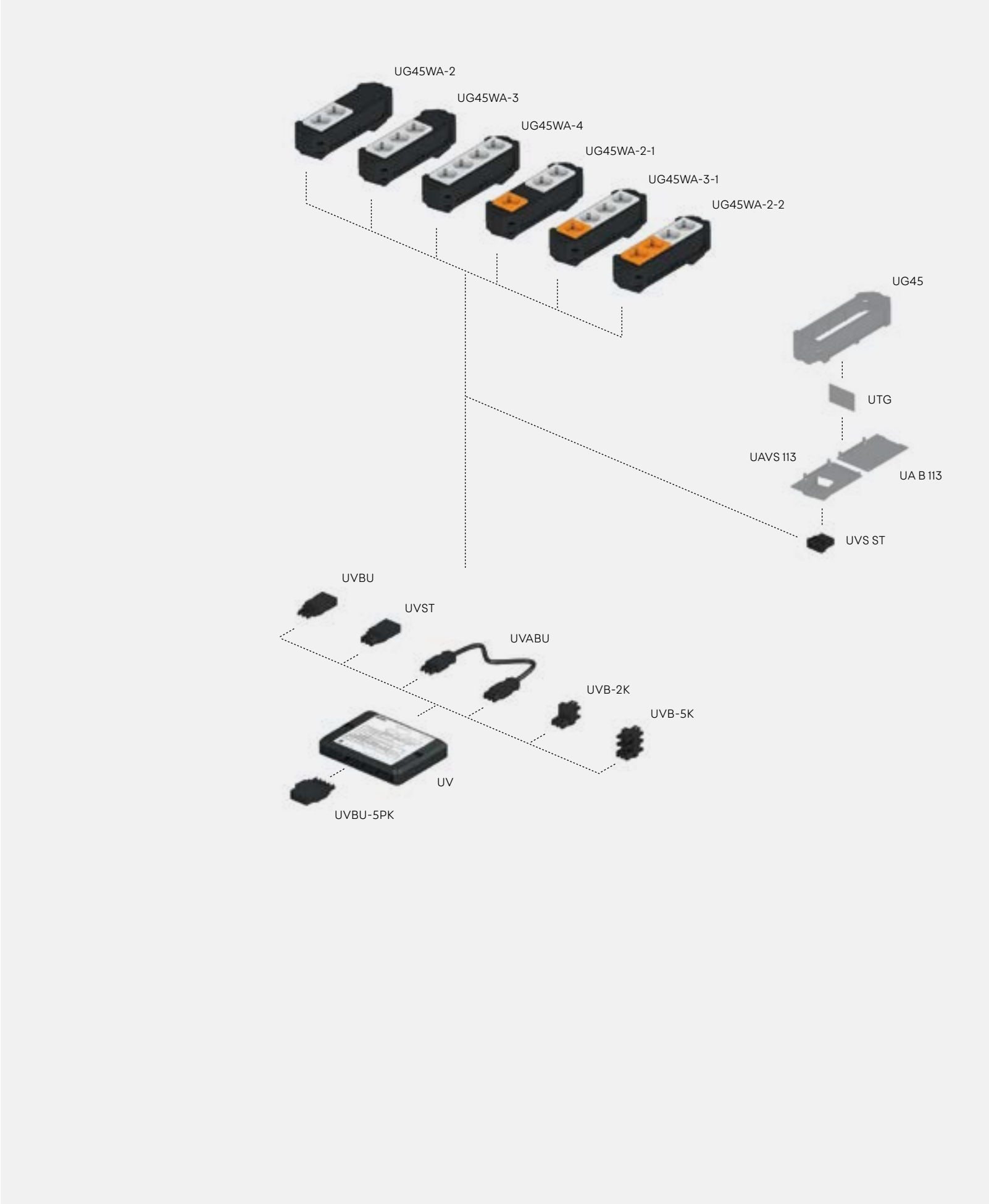
UGET 3-3 Device carrier, 3x UDAE (Page D22)





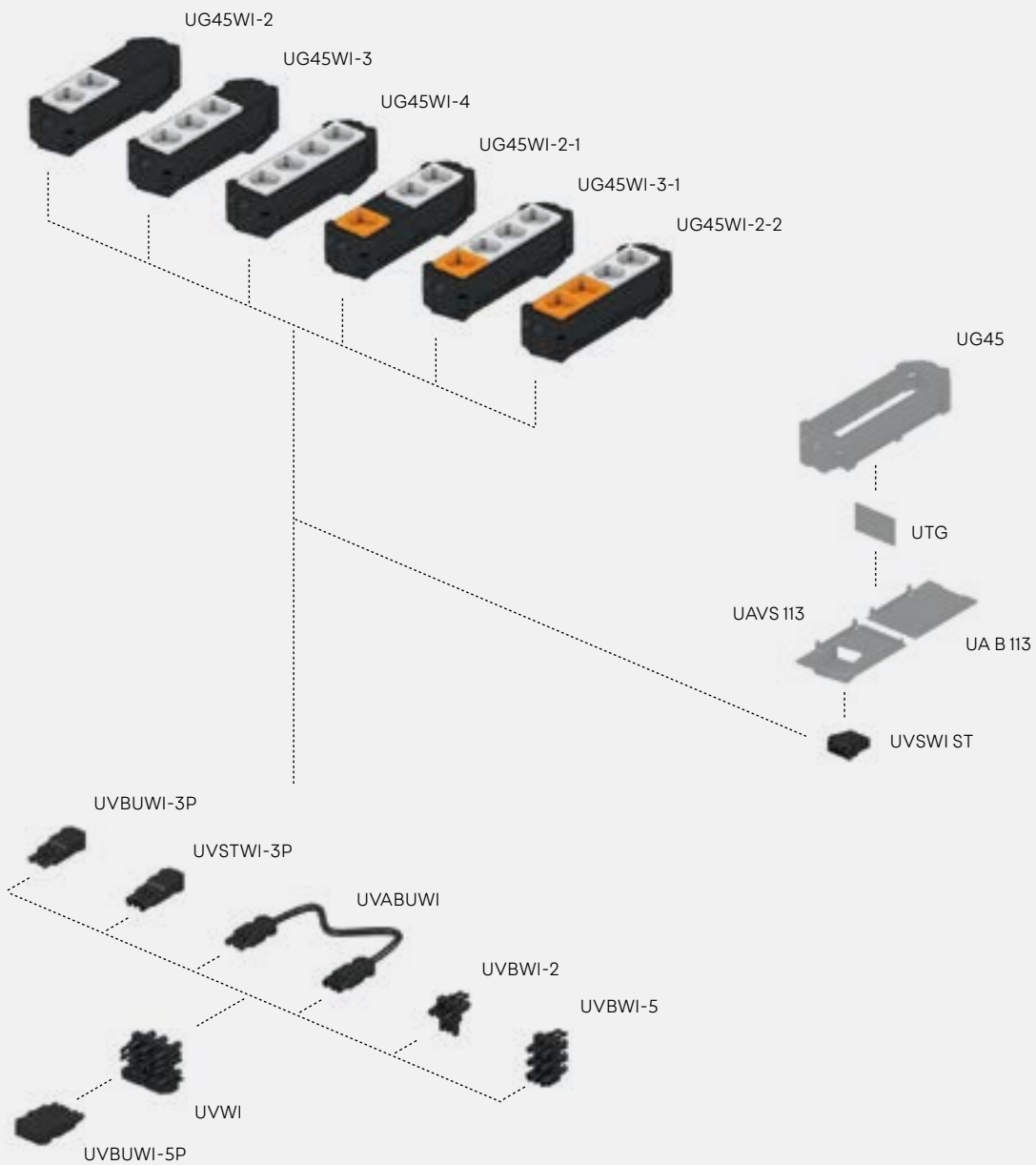
Mounting boxes and installation devices

Plug-in connector systems | System overview



Mounting boxes and installation devices

Plug-in connector systems | System overview



Mounting boxes and installation devices

Plug-in connector systems | WAGO

UG45WA-2 Mounting box, prefabricated, WAGO

Only suitable for raised/false floors. Other prefabrications available on request.

Article number	H mm	W mm	L mm	Design	Snap-in connector colour	G kg
ABS						
UG45WA-W2	68	74	225	2x white	Black	0.24
UG45WA-G2	68	74	225	2x green	White	0.24
UG45WA-O2	68	74	225	2x orange	White	0.24
UG45WA-R2	68	74	225	2x red	White	0.24



UG45WA-3 Mounting box, prefabricated, WAGO

Only suitable for raised/false floors. Other prefabrications available on request.

Article number	H mm	W mm	L mm	Design	Snap-in connector colour	G kg
ABS						
UG45WA-W3	68	74	225	3x white	Black	0.27
UG45WA-G3	68	74	225	3x green	White	0.27
UG45WA-O3	68	74	225	3x orange	White	0.27
UG45WA-R3	68	74	225	3x red	White	0.27



UG45WA-4 Mounting box, prefabricated, WAGO

Only suitable for raised/false floors. Other prefabrications available on request.

Article number	H mm	W mm	L mm	Design	Snap-in connector colour	G kg
ABS						
UG45WA-W4	68	74	225	4x white	Black	0.30
UG45WA-O4	68	74	225	4x orange	White	0.30
UG45WA-R4	68	74	225	4x red	White	0.30



UG45WA-2-1 Mounting box, prefabricated, WAGO

Only suitable for raised/false floors. Other prefabrications available on request.

Article number	H mm	W mm	L mm	Design	Snap-in con- nector colour	G kg
ABS						
UG45WA-W2O1	68	74	225	2x white + 1x orange	Black/white	0.33
UG45WA-O2W1	68	74	225	2x orange + 1x white	White/black	0.33
UG45WA-W2R1	68	74	225	2x white + 1x red	Black/white	0.33
UG45WA-R2W1	68	74	225	2x red + 1x white	White/black	0.33
UG45WA-W2G1	68	74	225	2x white + 1x green	Black/white	0.33



Mounting boxes and installation devices

Plug-in connector systems | WAGO

UG45WA-3-1 Mounting box, prefabricated, WAGO

Only suitable for raised/false floors. Other prefabrications available on request.

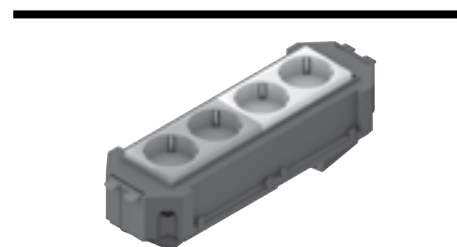
Article number	H mm	W mm	L mm	Design	Snap-in con- nector colour	G kg
ABS						
UG45WA-W3O1	68	74	225	3x white + 1x orange	Black/white	0.34
UG45WA-O3W1	68	74	225	3x orange + 1x white	White/black	0.34
UG45WA-R3W1	68	74	225	3x red + 1x white	White/black	0.34
UG45WA-W3R1	68	74	225	3x white + 1x red	Black/white	0.34
UG45WA-W3G1	68	74	225	3x white + 1x green	Black/white	0.34



UG45WA-2-2 Mounting box, prefabricated, WAGO

Only suitable for raised/false floors. Other prefabrications available on request.

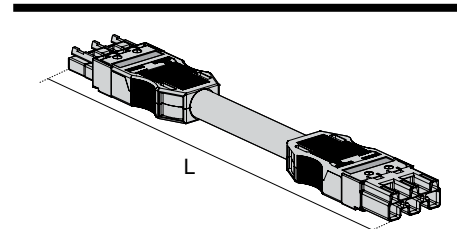
Article number	H mm	W mm	L mm	Design	Snap-in con- nector colour	G kg
ABS						
UG45WA-W2O2	68	74	225	2x white + 2x orange	Black/white	0.36
UG45WA-W2R2	68	74	225	2x white + 2x red	Black/white	0.36
UG45WA-W2G2	68	74	225	2x white + 2x green	Black/white	0.36



UVABU Plug-to-socket connecting line, WAGO

WAGO WINSTA MIDI system

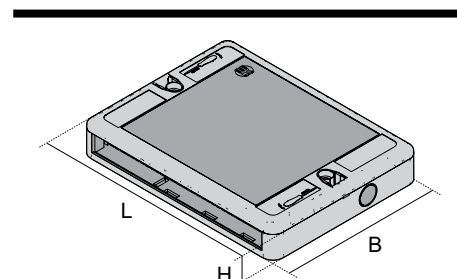
Article number	L mm	KQ mm ²	Colour	Input/output
PA PVC				
UVABU-S-2.5-100	1000	2.5	Black	3-pin
UVABU-S-2.5-400	4000	2.5	Black	3-pin
UVABU-S-2.5-600	6000	2.5	Black	3-pin
UVABU-S-2.5-800	8000	2.5	Black	3-pin
UVABU-W-2.5-100	1000	2.5	White	3-pin
UVABU-W-2.5-400	4000	2.5	White	3-pin
UVABU-W-2.5-600	6000	2.5	White	3-pin
UVABU-W-2.5-800	8000	2.5	White	3-pin



UV Distributor box, WAGO

WAGO WINSTA MIDI system

Article number	H mm	W mm	L mm	Colour	Input	Output	Output	G kg
PA								
UV-S 6K	30	145	190	Black	1x5-pin	1x5-pin	6x3-pin	0.40
UV-W 6K	30	145	190	White	1x5-pin	1x5-pin	6x3-pin	0.40
UV-S0 6K	30	145	190	Black	1x clamp	-	6x3-pin	0.40
UV-W0 6K	30	145	190	White	1x clamp	-	6x3-pin	0.40



has optional accessories:

UVBU-5	Socket component, WAGO	(Page D44)
UVABU	Plug-to-socket connecting line, WAGO	(Page D43)
UVB-2K	Distributor block, 2x3-pin, WAGO	(Page D44)
UVBU-3	Socket component, WAGO	(Page D44)



D

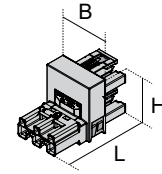
Mounting boxes and installation devices

Plug-in connector systems | WAGO

UVB-2K Distributor block, 2x3-pin, WAGO

WAGO WINSTA MIDI system

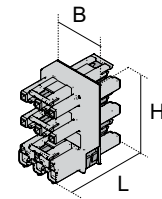
Article number	H mm	W mm	L mm	Colour	Input	Output	G kg
PA							
UVB-S 2K	33	30	51	Black	1x3-pin	2x3-pin	0.02
UVB-W 2K	33	30	51	White	1x3-pin	2x3-pin	0.02



UVB-5K Distributor block, 5x3-pin, WAGO

WAGO WINSTA MIDI system

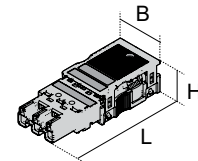
Article number	H mm	W mm	L mm	Colour	Input	Output	G kg
PA							
UVB-S 5K	48	30	46	Black	1x3-pin	5x3-pin	0.05
UVB-W 5K	48	30	46	White	1x3-pin	5x3-pin	0.05



UVST-3PK Plug component, WAGO

WAGO WINSTA MIDI system

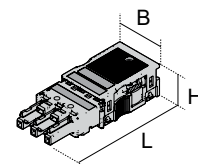
Article number	H mm	W mm	L mm	AQ mm ²	Colour	Output	G kg
PA							
UVST-S 3PK	15	35	76	4.0	Black	3-pin	0.02
UVST-W 3PK	15	35	76	4.0	White	3-pin	0.02



UVBU-3PK Socket component, WAGO

WAGO WINSTA MIDI system

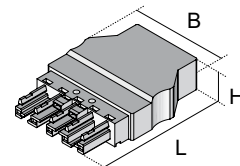
Article number	H mm	W mm	L mm	AQ mm ²	Colour	Output	G kg
PA							
UVBU-S 3PK	15	35	76	4.0	Black	3-pin	0.02
UVBU-W 3PK	15	35	76	4.0	White	3-pin	0.02



UVBU-5PK Socket component, WAGO

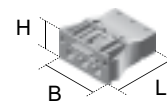
WAGO WINSTA MIDI system

Article number	H mm	W mm	L mm	AQ mm ²	Colour	Output	G kg
PA							
UVBU-S 5PK	17	55	76	4.0	Black	5-pin	0.02
UVBU-W 5PK	17	55	76	4.0	White	5-pin	0.02



UVS ST Snap-in piece, plug, WAGO

Article number	H mm	W mm	L mm	AQ mm ²	Colour	Input	Output	G kg
PA								
UVS-ST-S1K	17	35	37	4.0	Black	1x clamp	1x3-pin Connector	0.01
UVS-ST-W1K	17	35	37	4.0	White	1x clamp	1x3-pin Connector	0.01



Mounting boxes and installation devices

Plug-in connector systems | Wieland

UG45WI-2 Mounting box, prefabricated, Wieland

Only suitable for raised/false floors. Other prefabrications available on request.

Article number	H mm	W mm	L mm	Design	Snap-in con- nector colour	G kg
ABS						
UG45WI-W2	68	74	225	2x white	Black	0.23
UG45WI-G2	68	74	225	2x green	White	0.23
UG45WI-O2	68	74	225	2x orange	White	0.23
UG45WI-R2	68	71	225	2x red	White	0.23



UG45WI-3 Mounting box, prefabricated, Wieland

Only suitable for raised/false floors. Other prefabrications available on request.

Article number	H mm	W mm	L mm	Design	Snap-in con- nector colour	G kg
ABS						
UG45WI-W3	68	74	225	3x white	Black	0.27
UG45WI-G3	68	74	225	3x green	White	0.27
UG45WI-O3	68	74	225	3x orange	White	0.27
UG45WI-R3	68	74	225	3x red	White	0.27



UG45WI-4 Mounting box, prefabricated, Wieland

Only suitable for raised/false floors. Other prefabrications available on request.

Article number	H mm	W mm	L mm	Design	Snap-in con- nector colour	G kg
ABS						
UG45WI-W4	68	74	225	4x white	Black	0.30
UG45WI-O4	68	74	225	4x orange	White	0.30
UG45WI-R4	68	74	225	3x red	White	0.30



UG45WI-2-1 Mounting box, prefabricated, Wieland

Only suitable for raised/false floors. Other prefabrications available on request.

Article number	H mm	W mm	L mm	Design	Snap-in con- nector colour	G kg
ABS						
UG45WI-W2O1	68	74	225	2x white + 1x orange	Black/white	0.33
UG45WI-O2W1	68	74	225	2x orange + 1x white	White/black	0.33
UG45WI-R2W1	68	74	225	2x red + 1x white	White/black	0.33
UG45WI-W2R1	68	74	225	2x white + 1x red	Black/white	0.33
UG45WI-W2G1	68	74	225	2x white + 1x green	Black/white	0.33



D

Mounting boxes and installation devices

Plug-in connector systems | Wieland

UG45WI-3-1 Mounting box, prefabricated, Wieland

Only suitable for raised/false floors. Other prefabrications available on request.

Article number	H mm	W mm	L mm	Design	Snap-in con- nector colour	G kg
ABS						
UG45WI-W3O1	68	74	225	3x white + 1x orange	Black/white	0.34
UG45WI-W3R1	68	74	225	3x pure white + 1x red	Black/white	0.34
UG45WI-O3W1	68	74	225	3x orange + 1x white	White/black	0.34
UG45WI-R3W1	68	74	225	3x red + 1x white	White/black	0.34
UG45WI-W3G1	68	74	225	3x white + 1x green	Black/white	0.34



UG45WI-2-2 Mounting box, prefabricated, Wieland

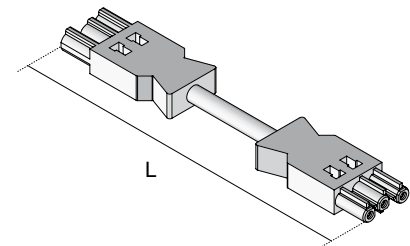
Only suitable for raised/false floors. Other prefabrications available on request.

Article number	H mm	W mm	L mm	Design	Snap-in con- nector colour	G kg
ABS						
UG45WI-W2O2	68	74	225	2x white + 2x orange	Black/white	0.36
UG45WI-W2G2	68	74	225	2x white + 2x green	Black/white	0.36
UG45WI-W2R2	68	74	225	2x white + 2x red	Black/white	0.36



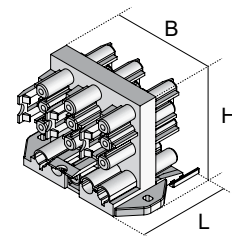
UVABUWI Plug-to-socket connecting line, Wieland

Article number	L mm	KQ mm ²	Colour	Input/output	G kg
PA PVC					
UVABUWI-S-2.5-100	1000	2.5	Black	3-pin	0.20
UVABUWI-S-2.5-400	4000	2.5	Black	3-pin	0.68
UVABUWI-S-2.5-600	6000	2.5	Black	3-pin	1.01
UVABUWI-S-2.5-800	8000	2.5	Black	3-pin	1.30
UVABUWI-W-2.5-100	1000	2.5	White	3-pin	0.20
UVABUWI-W-2.5-400	4000	2.5	White	3-pin	0.68
UVABUWI-W-2.5-600	6000	2.5	White	3-pin	1.01
UVABUWI-W-2.5-800	8000	2.5	White	3-pin	1.30



UVWI Distributor block, Wieland

Article number	H mm	W mm	L mm	Colour	Input	Output	G kg
PA							
UVWI-S 6	57	50	59	Black	1x5-pin	6x3-pin	0.02
UVWI-W 6	57	50	59	White	1x5-pin	6x3-pin	0.02

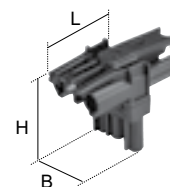


Mounting boxes and installation devices

Plug-in connector systems | Wieland

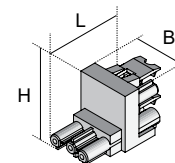
UVBWI-2 Distributor block, Wieland

Article number	H mm	W mm	L mm	Colour	Input	Output	G kg
PA							
UVBWI-S 2	43	28	59	Black	1x3-pin	2x3-pin	0.02
UVBWI-W 2	43	28	59	White	1x3-pin	2x3-pin	0.02



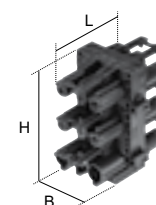
UVBHWI-2 Distributor block, Wieland

Article number	H mm	W mm	L mm	Colour	Input	Output	G kg
PA							
UVBHWI-S 2	35	32	44	Black	1x3-pin	2x3-pin	0.04
UVBHWI-W 2	35	32	44	White	1x3-pin	2x3-pin	0.04



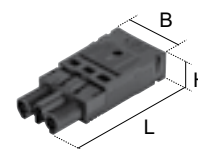
UVBWI-5 Distributor block, Wieland

Article number	H mm	W mm	L mm	Colour	Input	Output	G kg
PA							
UVBWI-S 5	53	52	59	Black	1x3-pin	5x3-pin	0.02
UVBWI-W 5	53	52	59	White	1x3-pin	5x3-pin	0.02



UVSTWI-3P Plug component, Wieland

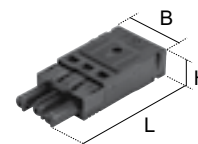
Article number	H mm	W mm	L mm	AQ mm ²	Colour	Output	G kg
PA							
UVSTWI-S-3P	16	33	75	2.5	Black	3-pin	0.02
UVSTWI-W-3P	16	33	75	2.5	White	3-pin	0.02



UVBUWI-3P Socket component, Wieland

Wieland gesis GST 18i3

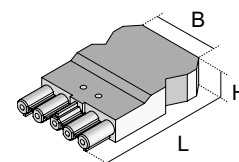
Article number	H mm	W mm	L mm	AQ mm ²	Colour	Output	G kg
PA							
UVBUWI-S-3P	16	33	75	2.5	Black	3-pin	0.02
UVBUWI-W-3P	16	33	75	2.5	White	3-pin	0.02



UVBUWI-5P Socket component, Wieland

Wieland gesis GST 18i3

Article number	H mm	W mm	L mm	AQ mm ²	Colour	Output	G kg
PA							
UVBUWI-S-5P	17	48	77	2.5	Black	5-pin	0.02
UVBUWI-W-5P	17	48	77	2.5	White	5-pin	0.02



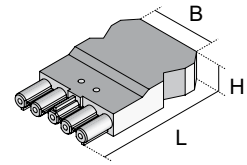
Mounting boxes and installation devices

Plug-in connector systems | Wieland

UVBUWI-4.0-5 Socket component, Wieland

Wieland gesis GST18i3

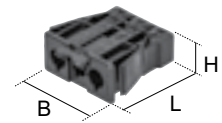
Article number	H mm	W mm	L mm	AQ mm ²	Colour	Output	G kg
PA							
UVBUWI-S-4.0-5P	17	48	85	4.0	Black	5-pin	0.02
UVBUWI-W-4.0-5P	17	48	85	4.0	White	5-pin	0.02



UVSWI ST Snap-in piece, plug, Wieland

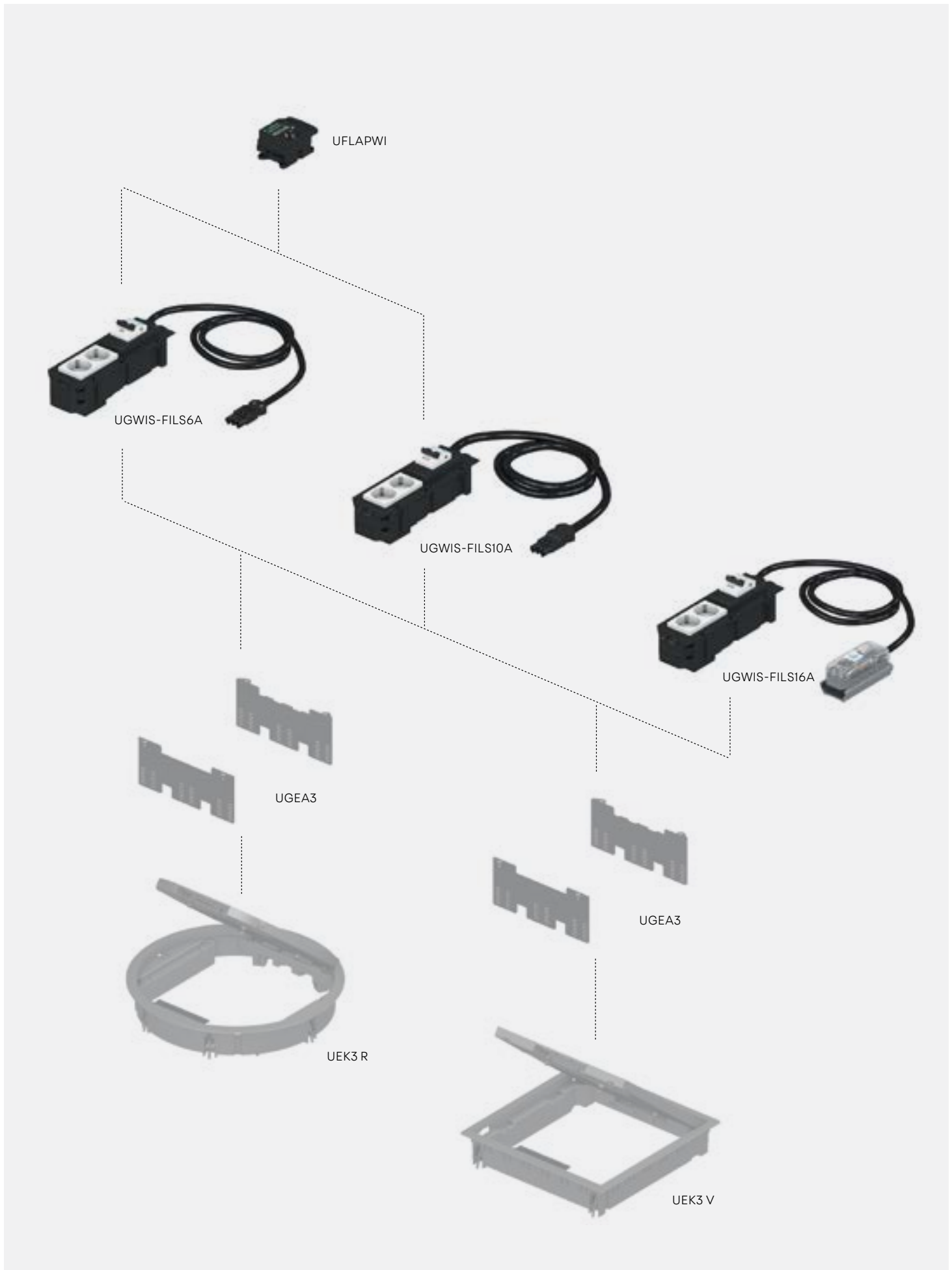
WIELAND GSTI8 system

Article number	H mm	W mm	L mm	AQ mm ²	Colour	Input	Output	G kg
PA								
UVSWI-ST-WI	17	35	37	2.5	White	1 x clamp	1x3-pin Connector	0.02
UVSWI-ST-SI	17	35	37	2.5	Black	1 x clamp	1x3-pin Connector	0.02



Mounting boxes and installation devices

RCCB plug-in connector systems | System overview



Mounting boxes and installation devices

RCCB plug-in connector systems

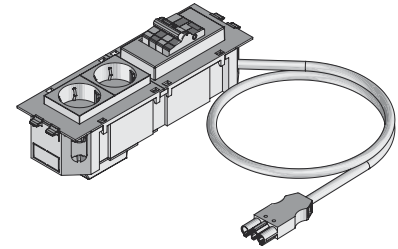
UGWIS-FILS6A Mounting box, pre-assembled with RCCB switch 6 A, Wieland

Pre-assembled mounting box with one RCCB switch 6KA, 1p+N, 6A/30mA, connected to a connection cable 3x2.5mm² with 3-pin Wieland plug. Complete with a 3-pin Wieland snap-in mounting bushing beneath the mounting box and two-part socket.

Article number	H mm	W mm	L mm	KQ mm ²	Design	Snap-in connector colour	Connection cable mm	G kg
ABS								
UGWIS-W2FILS6A-300	83	74	225	2.5	Pure white	Black	3000	0.98
UGWIS-O2FILS6A-300	83	74	225	2.5	Pure white	White	3000	0.98
UGWIS-W2FILS6A-200	83	74	225	2.5	Pure white	Black	2000	0.83
UGWIS-O2FILS6A-200	83	74	225	2.5	Pure white	White	2000	0.83

has optional accessories:

UFLAPWI Flat cable adapter (Page D50)



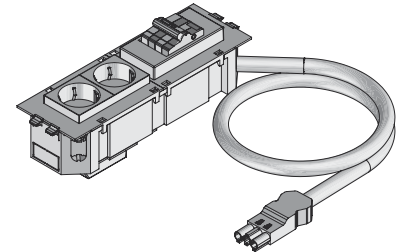
UGWIS-FILS10A Mounting box, pre-assembled with RCCB switch 10 A, Wieland

Pre-assembled mounting box with one RCCB switch 6KA, 1p+N, 10A/30mA, connected to a connection cable 3x4mm² with 3-pin Wieland plug. Complete with a 3-pin Wieland snap-in mounting bushing beneath the mounting box and two-part socket.

Article number	H mm	W mm	L mm	KQ mm ²	Design	Snap-in connector colour	Connection cable mm	G kg
ABS								
UGWIS-W2FILS10A-300	83	74	225	4	Pure white	Black	3000	1.34
UGWIS-O2FILS10A-300	83	74	225	4	Pure white	White	3000	1.34
UGWIS-W2FILS10A-200	83	74	225	4	Pure white	Black	2000	1.08
UGWIS-O2FILS10A-200	83	74	225	4	Pure white	White	2000	1.08

has optional accessories:

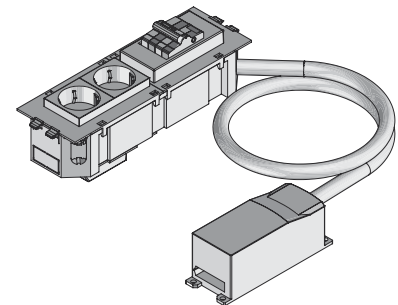
UFLAPWI Flat cable adapter (Page D50)



UGWIS-FILS16A Mounting box, pre-assembled with RCCB switch 16 A, Wieland

Pre-assembled mounting box with one RCCB switch 6KA, 1p+N, 16A/30mA, connected to a connection cable 3x4mm² with flat cable adapter 400V/32A for connecting to the flat cable 5G10mm², coded to L1. Complete with a 3-pin Wieland snap-in mounting bushing beneath the mounting box and two-part socket.

Article number	H mm	W mm	L mm	KQ mm ²	Design	Snap-in connector colour	Connection cable mm	G kg
ABS								
UGWIS-W2FILS16A-300	83	74	225	4	Pure white	Black	3000	1.93
UGWIS-O2FILS16A-300	83	74	225	4	Pure white	White	3000	1.93
UGWIS-W2FILS16A-200	83	74	225	4	Pure white	Black	2000	1.67
UGWIS-O2FILS16A-200	83	74	225	4	Pure white	White	2000	1.67



UFLAPWI Flat cable adapter

Ribbon cable adapter 250/400V, 20A with phase selection L1-L2, for connecting to the flat mains cable 5x4mm², pluggable outlet runs parallel to the flat cable.

Article number	G kg
ABS	
UFLAPWI 4	0.10



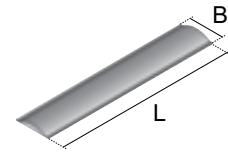


Mounting boxes and installation devices

Accessories Mounting boxes and installation devices

UBS Labelling strips

Article number	W mm	L mm	G kg
S			
UBS10x50	10	50	0.01



BLS Sheet metal screw

Article number	G kg/100
S	
BLS 2.9x13	0.1
BLS 2.9x22	0.1
BLS 2.9x32	0.1
BLS 4.8x9.5	0.2
BLS 4.8x16	0.2
BLS 3.9x13E	0.1



BSS Countersunk sheet metal screw

Article number	L mm	G kg/100
GV		
BSS 4.8x16	16	0.3



UGZ R Strain relief device

Article number	G kg
ABS	
UGZ-R	0.01



has accessories included:
1 x **BLS 2.9x22** Sheet metal screw (Page D51)

has optional accessories:
BLS Sheet metal screw (Page D51)

UGZ Strain relief device

Article number	G kg
ABS	
UGZ	0.01



has optional accessories:
BLS Sheet metal screw (Page D51)

Mounting boxes and installation devices

Accessories Mounting boxes and installation devices

UWZ Z Underfloor tongs

Article number	G
S	kg
UWZ-Z	0.22



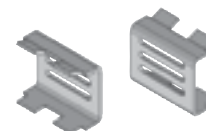
UWZ UG Assembly lever

Article number	G
S	kg
UWZ-UG	0.07



UGEA D Data device carrier adapter for GB

Article number	G
S	kg
UGEA-D	0.02
UGEA-DE 80	0.02





Alle Rechte vorbehalten. Nachdruck sowie jegliche elektronische Vervielfältigung nur mit unserer schriftlichen Genehmigung. Irrtümer und technische Änderungen vorbehalten. Eine Haftung des Herausgebers, gleich aus welchem Rechtsgrund, ist ausgeschlossen. Mit Erscheinen dieses Dokumentes verlieren alle bisherigen Exemplare ihre Gültigkeit.

PohlCon GmbH
Nobelstraße 51
12057 Berlin

T +49 30 68283-04
F +49 30 68283-383

www.pohlcon.com