

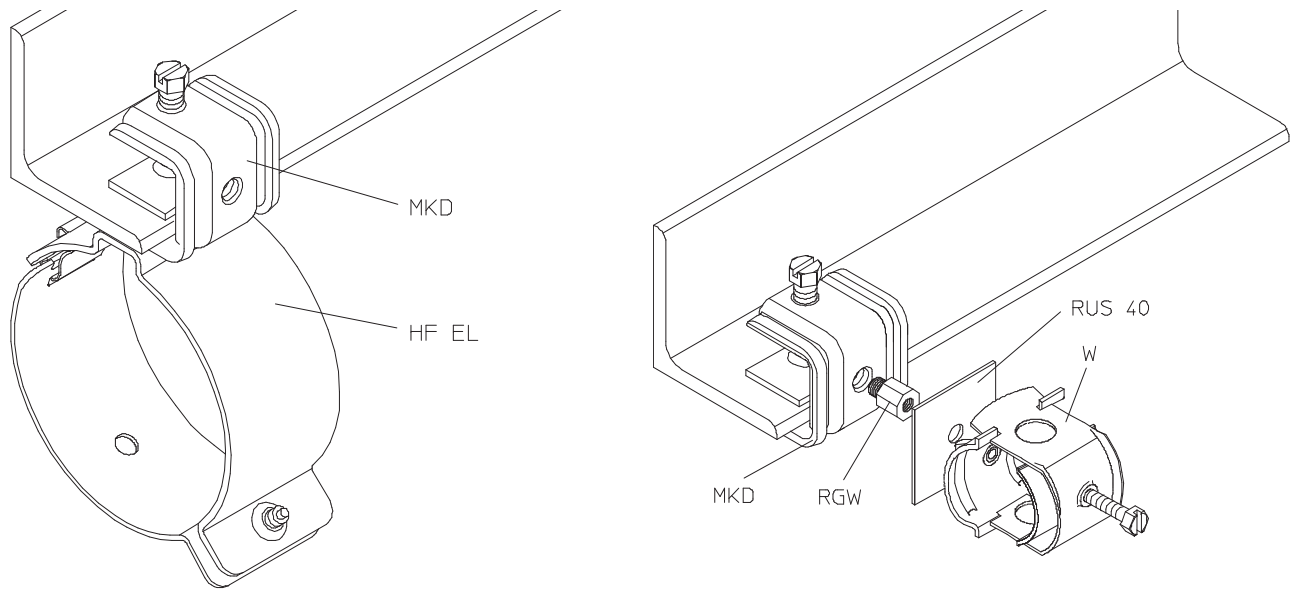
Examples for mounting
cable clamps

F02-F03

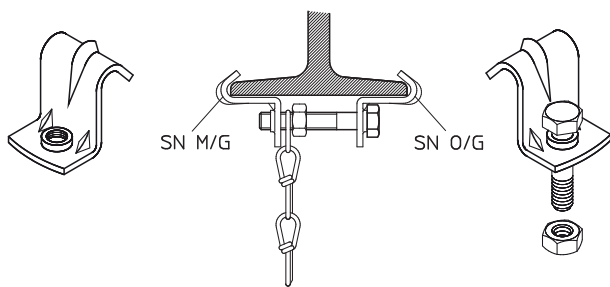
Examples for mounting cable clamps

Application examples

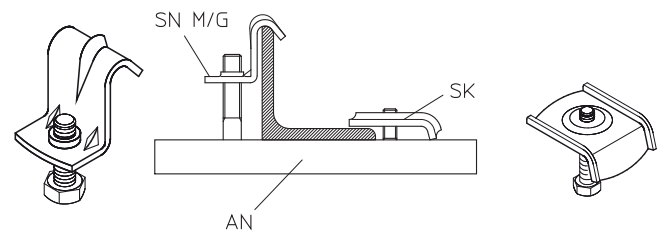
Cable clamp type MKD, mounted on a steel beam



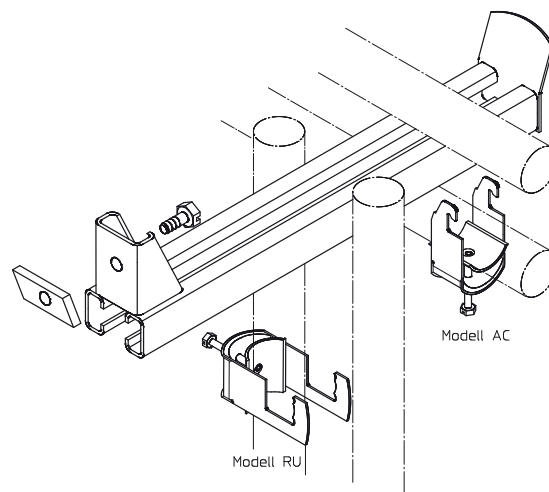
Beam clamp type SN, mounted on steel beams



Beam clamp type SN / SK, mounted on steel beams



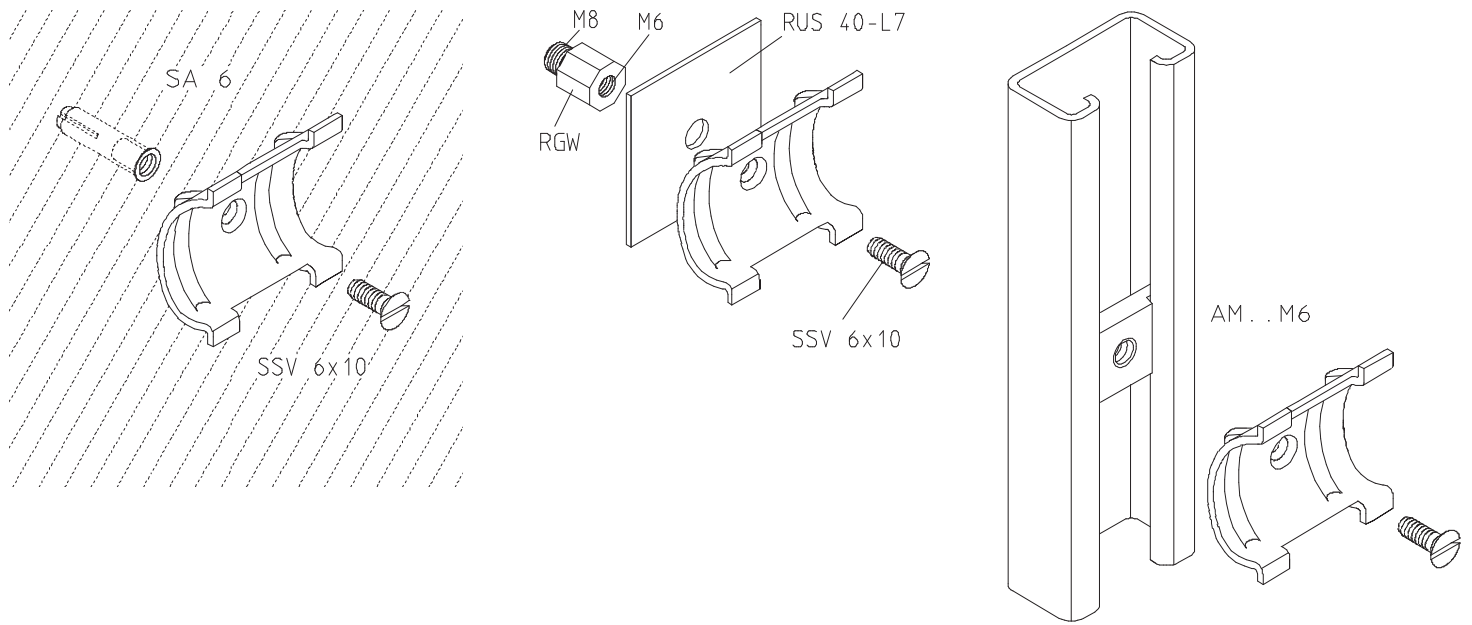
Traverse type T for multiple installations of cable clamps



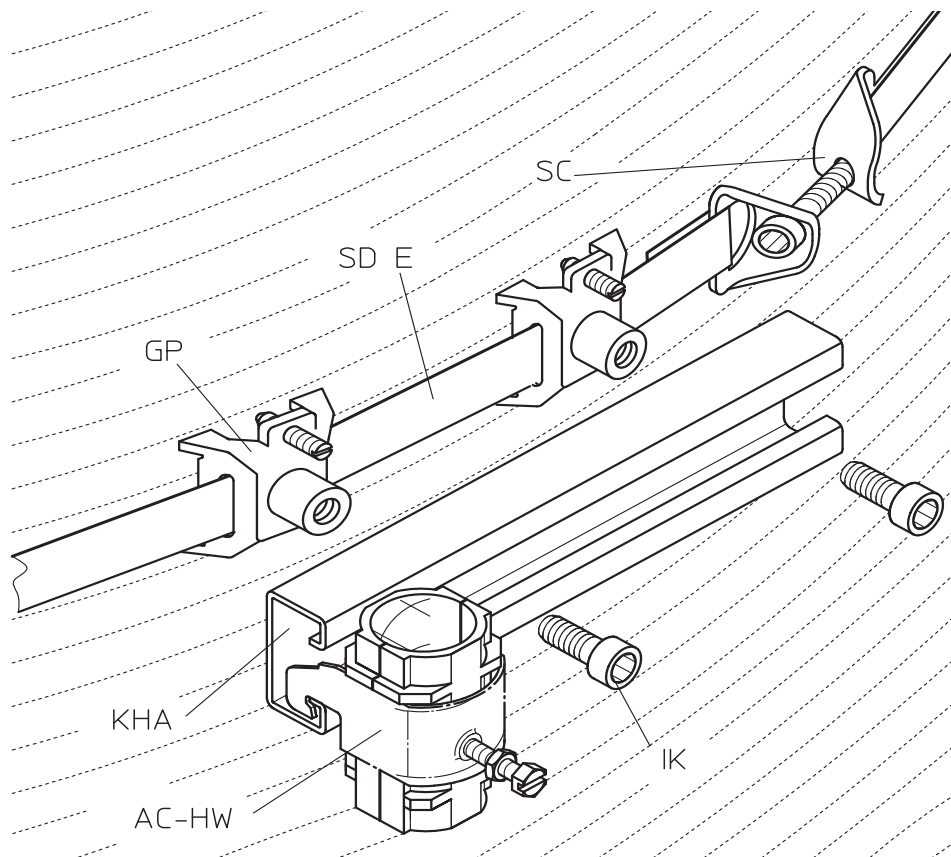
Examples for mounting cable clamps

Application examples

Cable clamp type W for mounting onto c-profiles or directly on the wall



Fastening strip type SD for mounting on round or flat profiles



Product line index

A

Cable clamps [A03-A19](#)

cable clamp AC [A03](#)
cable clamp ACF-E [A11](#)
cable clamp AC-IW [A05](#)
cable clamp B [A08](#)
cable clamp H [A06](#)
cable clamp HB [A09](#)
cable clamp HB-IW [A10](#)
cable clamp H-IW [A07](#)
cable clamp RU [A17](#)
cable clamp S [A12](#)
cable clamp S-IW [A14](#)
cable clamp U [A15](#)
cable clamp U-IW [A16](#)
cable clamp W [A18](#)
cable hook HK 30-70 [A17](#)
cable hook, Ø 100 mm HK 100 [A18](#)
cable support KH [A19](#)

Hexagon socket head screw, DIN 912 IK [D06](#)

reducing bolt RGW [D04](#)

square washer RUS 40 [D08](#)
support AN [D04](#)

tightening clip SC [D03](#)

B

Vats [B03-B05](#)

counter vat, Ø 12-70 mm GW 12-70 [B03](#)
counter vat, Ø 150-175 mm GW 150-175 [B04](#)
counter vat, Ø 76-120 mm GW 76-120 [B03](#)

double vat DW [B04](#)

extended counter vat LW [B05](#)

HF vat HW [B05](#)

C

HF-cable clamps [C03-C10](#)

HF cable clamp AC-HW [C03](#)
HF cable clamp RU-HW [C05](#)
HF cable clamp S-HW [C04](#)
HF cable clamp U-HW [C04](#)
HF-cable clamp for angular profile fastening HF-ES 50
1-4 [C07](#)
HF-cable clamp for angular profile fastening HF-ES 50
5-6 [C08](#)
HF-cable clamp for angular profile fastening HF-ES 80
1-4 [C08](#)
HF-cable clamp for angular profile fastening HF-ES 80
5-6 [C09](#)
HF-cable clamp for fastening to C-rails HF-EAC 1-4 [C09](#)
HF-cable clamp for fastening to C-rails HF-EAC 5-6 [C09](#)
HF-cable clamp for flat-steel profile fastening HF-EU 1-4
[C07](#)
HF-cable clamp for flat-steel profile fastening HF-EU 5-6
[C07](#)
HF-cable clamp for wall fastening HF-EL 1-4 [C06](#)
HF-cable clamp for wall fastening HF-EL 5-6 [C06](#)
HF-cable clamp for wall fastening HF-EM 8 1-4 [C06](#)
HF-cable clamp for wall fastening HF-EM 8 5-6 [C06](#)
HF-clamp lining HF-EE [C10](#)

D

Fastenings [D03-D08](#)

base plate GP [D03](#)
beam clamp MKD [D04](#)
beam clamp SN [D05](#)
bracket T [D06](#)

clamping claw SK [D05](#)
countersunk head screw SSV [D06](#)

fastening strip SD E [D03](#)

Hexagon head bolt, DIN 933 SES [D07](#)
hexagon socket head screw, DIN 7984 IKK [D07](#)

