



# HF-cable clamps

HF-cable clamps

C03-C10

---



C

# Numeric index

## HF-cable clamps

### A

**AC-HW** Cable clamp for fastening to C-profiles [C03](#)

---

### H

**HF-EAC 1-4** HF-cable clamp for fastening to C-rails

[C09](#)

**HF-EAC 5-6** HF-cable clamp for fastening to C-rails

[C09](#)

**HF-EE** HF-clamp lining [C10](#)

**HF-EL 1-4** HF-cable clamp for wall fastening [C06](#)

**HF-EL 5-6** HF-cable clamp for wall fastening [C06](#)

**HF-EM 8 1-4** HF-cable clamp for wall fastening [C06](#)

**HF-EM 8 5-6** HF-cable clamp for wall fastening [C06](#)

**HF-ES 50 1-4** HF-cable clamp for angular profile fastening [C07](#)

**HF-ES 50 5-6** HF-cable clamp for angular profile fastening [C08](#)

**HF-ES 80 1-4** HF-cable clamp for angular profile fastening [C08](#)

**HF-ES 80 5-6** HF-cable clamp for angular profile fastening [C09](#)

**HF-EU 1-4** HF-cable clamp for flat-steel profile fastening [C07](#)

**HF-EU 5-6** HF-cable clamp for flat-steel profile fastening [C07](#)

---

### R

**RU-HW** Cable clamp for fastening to round sections

[C05](#)

---

### S

**S-HW** Cable clamp for fastening to angle profiles [C04](#)

---

### U

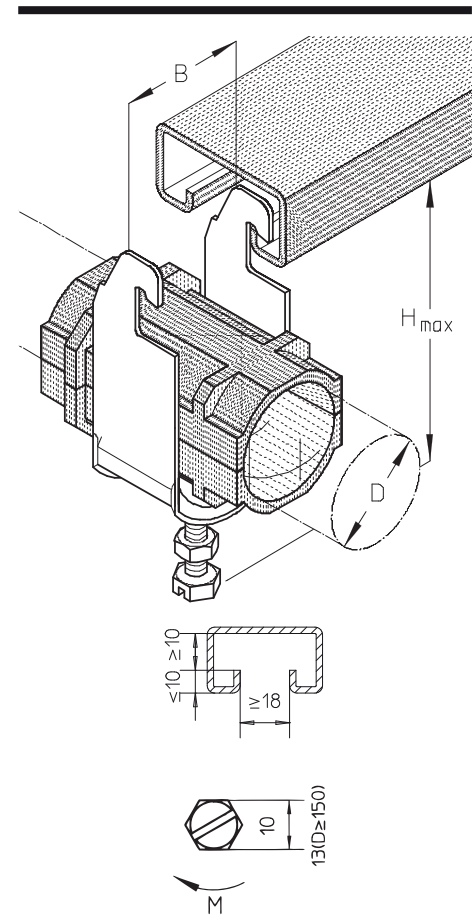
**U-HW** Cable clamp for fastening to flat sections [C04](#)

# HF-cable clamps

## AC-HW Cable clamp for fastening to C-profiles

For an application example, see the chapter assembly.

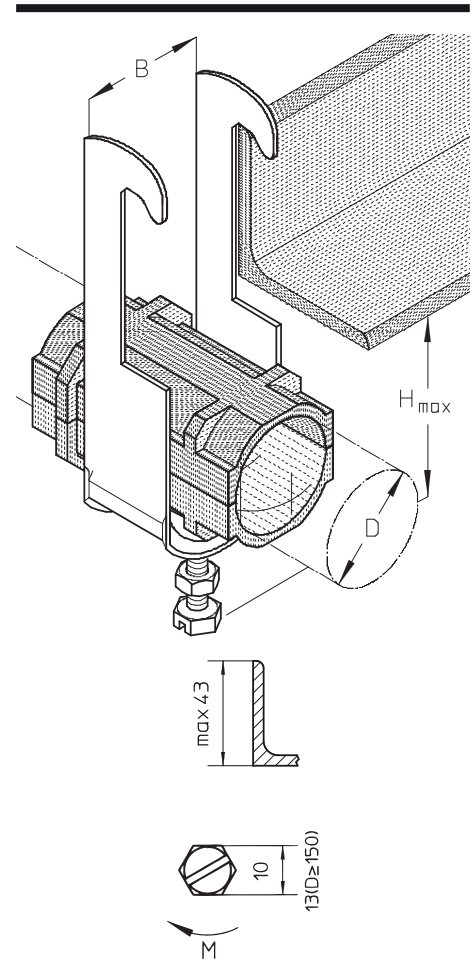
article number	B mm	D customs	H <sub>max</sub> mm	number of cables	G kg/100
<b>Z</b>					
20 AC-HW	20	1/2	53	1	4,42
32 AC-HW	32	7/8	68	1	8,60
44 AC-HW	44	1 1/4	83	1	10,20
56 AC-HW	56	1 5/8	106	1	16,82
20/2 AC-HW	20	1/2	73	2	6,44
32/2 AC-HW	32	7/8	102	2	13,30
44/2 AC-HW	44	1 1/4	129	2	20,50
56/2 AC-HW	56	1 5/8	164	2	26,54
20/3 AC-HW	20	1/2	93	3	8,66
32/3 AC-HW	32	7/8	136	3	18,00
44/3 AC-HW	44	1 1/4	176	3	28,60
<b>E</b>					
20 AC-HW-E	20	1/2	53	1	4,12
32 AC-HW-E	32	7/8	68	1	7,00
44 AC-HW-E	44	1 1/4	83	1	12,30
56 AC-HW-E	56	1 5/8	106	1	16,10
20/2 AC-HW-E	20	1/2	73	2	6,14
32/2 AC-HW-E	32	7/8	102	2	11,70
44/2 AC-HW-E	44	1 1/4	129	2	19,10
20/3 AC-HW-E	20	1/2	93	3	7,65
32/3 AC-HW-E	32	7/8	136	3	15,90
44/3 AC-HW-E	44	1 1/4	176	3	26,00



# HF-cable clamps

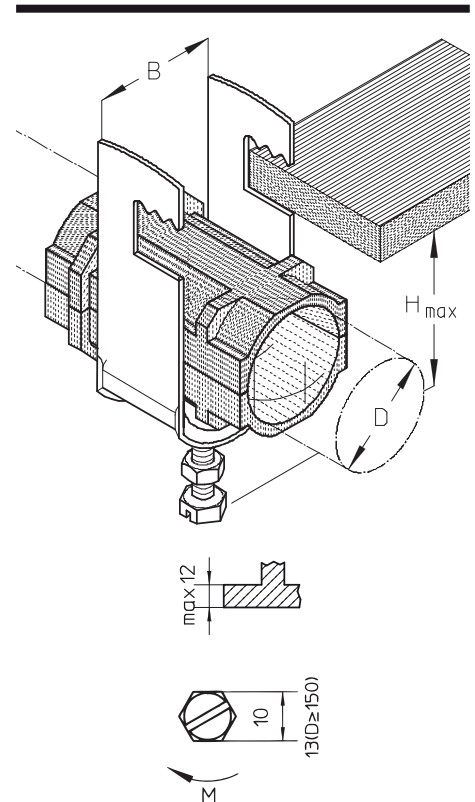
## S-HW Cable clamp for fastening to angle profiles

article number	B mm	D mm	D customs	H <sub>max</sub> mm	number of cables	G kg/100
<b>Z</b>						
20 S-HW	20	20	1/2	53	1	5,52
32 S-HW	32	32	7/8	68	1	8,60
44 S-HW	44	44	1 1/4	83	1	14,90
56 S-HW	56	56	1 5/8	106	1	18,22
20/2 S-HW	20	20	1/2	73	2	6,44
32/2 S-HW	32	32	7/8	102	2	13,30
20/3 S-HW	20	20	1/2	93	3	8,66
32/3 S-HW	32	32	7/8	136	3	18,00
<b>E</b>						
20 S-HW-E	20	20	1/2	53	1	5,12
32 S-HW-E	32	32	7/8	68	1	8,80
44 S-HW-E	44	44	1 1/4	83	1	13,30
56 S-HW-E	56	56	1 5/8	106	1	17,50
20/2 S-HW-E	20	20	1/2	73	2	7,44
32/2 S-HW-E	32	32	7/8	102	2	13,50
44/2 S-HW-E	44	44	1 1/4	129	2	20,10
56/2 S-HW-E	56	56	1 5/8	164	2	26,80
20/3 S-HW-E	20	20	1/2	93	3	9,30
32/3 S-HW-E	32	32	7/8	136	3	17,70
44/3 S-HW-E	44	44	1 1/4	176	3	26,90



## U-HW Cable clamp for fastening to flat sections

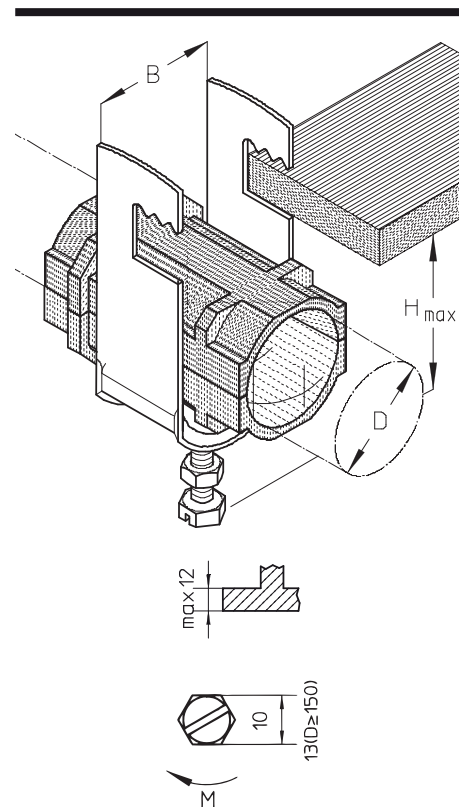
article number	B mm	D customs	H <sub>max</sub> mm	number of cables	G kg/100
<b>Z</b>					
20 U-HW	20	1/2	53	1	4,72
32 U-HW	32	7/8	68	1	9,30
44 U-HW	44	1 1/4	83	1	14,20
56 U-HW	56	1 5/8	106	1	17,52
20/2 U-HW	20	1/2	73	2	6,84
32/2 U-HW	32	7/8	102	2	14,10
44/2 U-HW	44	1 1/4	129	2	21,80
56/2 U-HW	56	1 5/8	164	2	27,64
20/3 U-HW	20	1/2	93	3	8,96
32/3 U-HW	32	7/8	136	3	21,80



# HF-cable clamps

## U-HW Cable clamp for fastening to flat sections

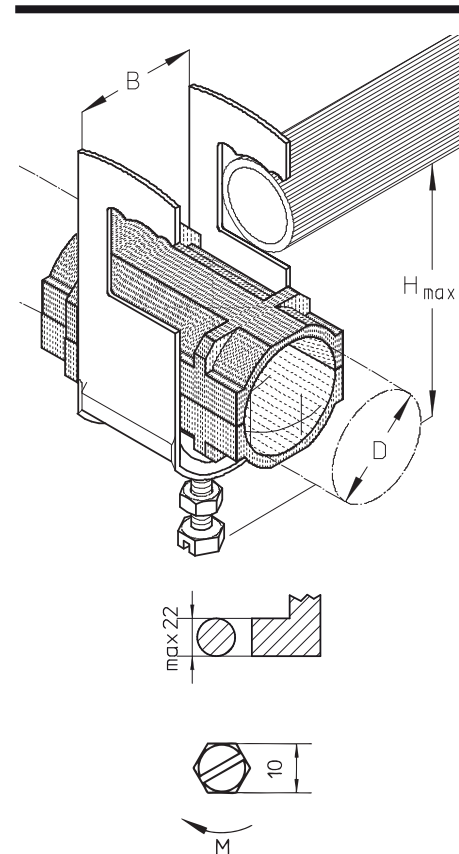
article number	B mm	D customs	H <sub>max</sub> mm	number of cables	G kg/100
<b>E</b>					
20 U-HW-E	20	1/2	53	1	4,62
32 U-HW-E	32	7/8	68	1	8,50
44 U-HW-E	44	1 1/4	83	1	13,00
56 U-HW-E	56	1 5/8	106	1	16,60
20/2 U-HW-E	20	1/2	73	2	6,64
32/2 U-HW-E	32	7/8	102	2	12,50
44/2 U-HW-E	44	1 1/4	129	2	19,90
56/2 U-HW-E	56	1 5/8	164	2	26,60
20/3 U-HW-E	20	1/2	93	3	8,60
32/3 U-HW-E	32	7/8	136	3	16,80
44/3 U-HW-E	44	1 1/4	176	3	26,80



## RU-HW Cable clamp for fastening to round sections

article number	B mm	D customs	H <sub>max</sub> mm	number of cables	G kg/100
<b>Z</b>					
20 RU-HW	20	1/2	53	1	5,82
32 RU-HW	32	7/8	68	1	11,40
44 RU-HW	44	1 1/4	83	1	15,70
56 RU-HW	56	1 5/8	106	1	21,72
20/2 RU-HW	20	1/2	73	2	8,64
32/2 RU-HW	32	7/8	102	2	16,90
44/2 RU-HW	44	1 1/4	129	2	23,24
56/2 RU-HW	56	1 5/8	164	2	29,24
20/3 RU-HW	20	1/2	93	3	12,80
32/3 RU-HW	32	7/8	136	3	25,00
44/3 RU-HW	44	1 1/4	176	3	34,40

<b>E</b>					
20 RU-HW-E	20	1/2	53	1	5,72
32 RU-HW-E	32	7/8	68	1	11,10
44 RU-HW-E	44	1 1/4	83	1	14,60
56 RU-HW-E	56	1 5/8	106	1	18,50
20/2 RU-HW-E	20	1/2	73	2	7,94
32/2 RU-HW-E	32	7/8	102	2	16,70
44/2 RU-HW-E	44	1 1/4	129	2	22,60
56/2 RU-HW-E	56	1 5/8	164	2	29,30
20/3 RU-HW-E	20	1/2	93	3	10,40
32/3 RU-HW-E	32	7/8	136	3	22,10
44/3 RU-HW-E	44	1 1/4	176	3	30,60



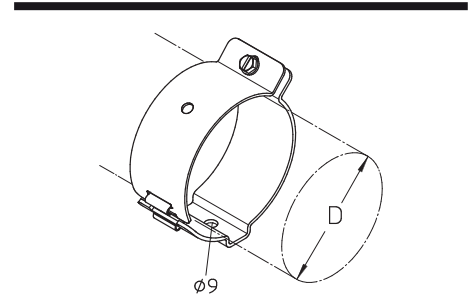
C

# HF-cable clamps

## HF-EL 1-4 HF-cable clamp for wall fastening

For an application example, see the chapter assembly.

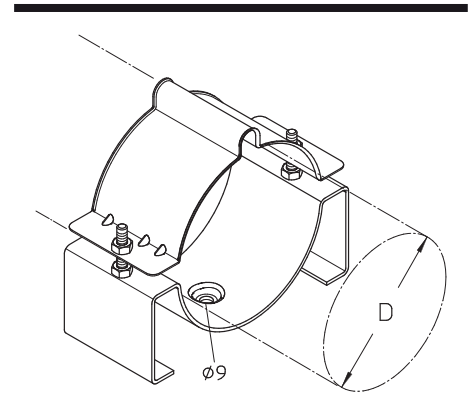
article number	D mm	G kg/100
<b>Z</b>		
HF-EL 1	37 (E 108/19-220)	12,7
HF-EL 2	50 (E 75-100)	14,1
HF-EL 3	62 (E 48-70)	16,1
HF-EL 4	100 (E 38-46)	23,2



## HF-EL 5-6 HF-cable clamp for wall fastening

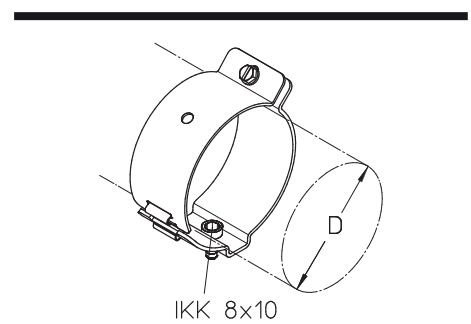
For an application example, see the chapter assembly.

article number	D mm	G kg/100
<b>Z</b>		
HF-EL 5	128 (E 26-30)	85,0
HF-EL 6	160 (E 20)	99,8



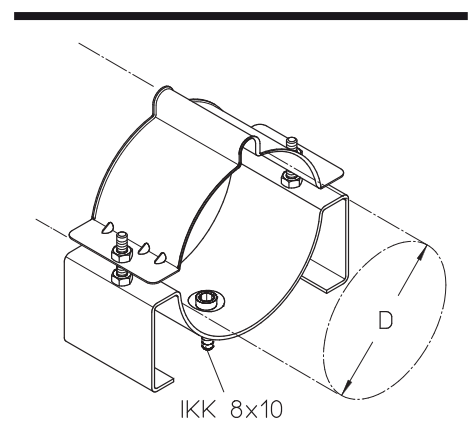
## HF-EM 8 1-4 HF-cable clamp for wall fastening

article number	D mm	G kg/100
<b>Z</b>		
HF-EM 8 1	37 (E 108/19-220)	13,4
HF-EM 8 2	50 (E 75-100)	14,8
HF-EM 8 3	62 (E 48-70)	16,9
HF-EM 8 4	100 (E 38-46)	24,0



## HF-EM 8 5-6 HF-cable clamp for wall fastening

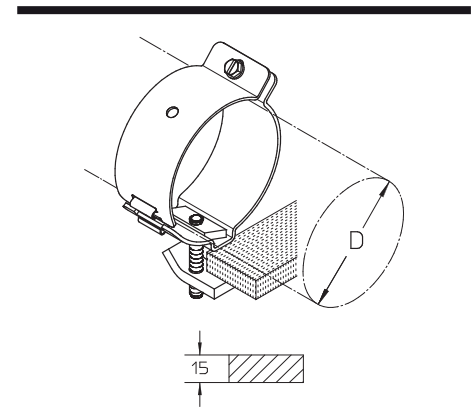
article number	D mm	G kg/100
<b>Z</b>		
HF-EM 8 5	128 (E 26-30)	85,8
HF-EM 8 6	160 (E 20)	100,5



# HF-cable clamps

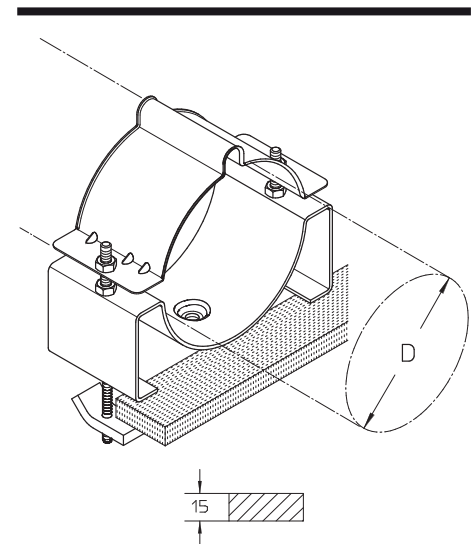
## HF-EU 1-4 HF-cable clamp for flat-steel profile fastening

article number	D mm	G kg/100
<b>Z</b>		
HF-EU 1	37 (E 108/19-220)	22,8
HF-EU 2	50 (E 75-100)	24,2
HF-EU 3	62 (E 48-70)	26,2
HF-EU 4	100 (E 38-46)	33,3



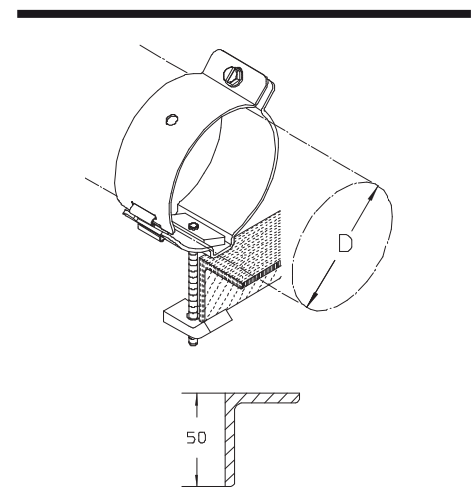
## HF-EU 5-6 HF-cable clamp for flat-steel profile fastening

article number	D mm	G kg/100
<b>Z</b>		
HF-EU 5	128 (E 26-30)	102,0
HF-EU 6	160 (E 20)	117,7



## HF-ES 50 1-4 HF-cable clamp for angular profile fastening

article number	D mm	G kg/100
<b>Z</b>		
HF-ES 50 1	37 (E 108/19-220)	23,9
HF-ES 50 2	50 (E 75-100)	25,3
HF-ES 50 3	62 (E 48-70)	27,3
HF-ES 50 4	100 (E 38-46)	34,5

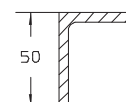
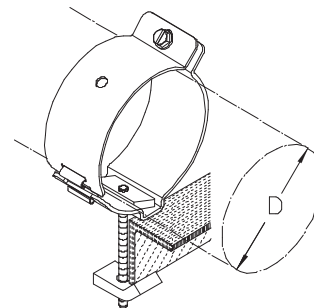




# HF-cable clamps

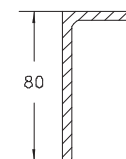
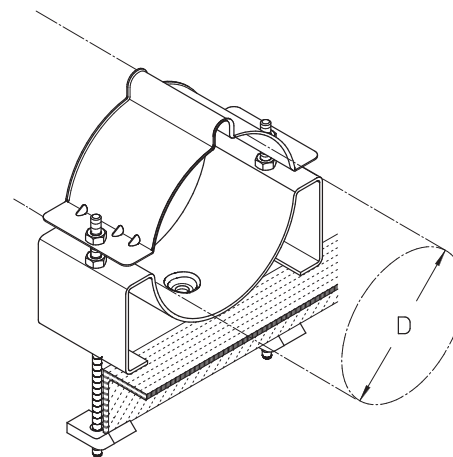
## HF-ES 50 5-6 HF-cable clamp for angular profile fastening

article number	D mm	G kg/100
<b>Z</b>		
<b>HF-ES 50 5</b>	128 (E 26-30)	104,2
<b>HF-ES 50 6</b>	160 (E 20)	120,0



## HF-ES 80 1-4 HF-cable clamp for angular profile fastening

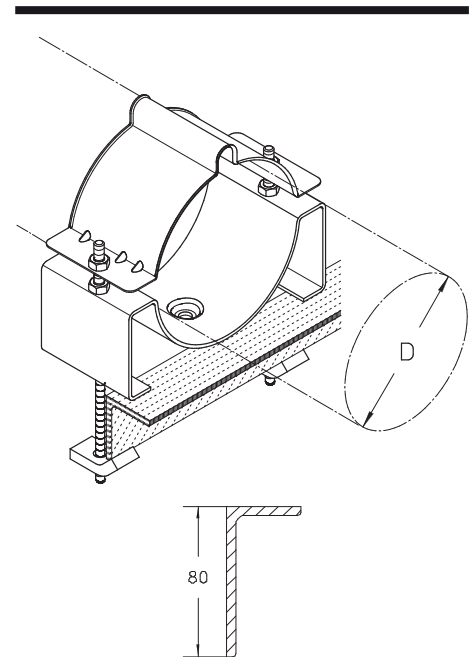
article number	D mm	G kg/100
<b>Z</b>		
<b>HF-ES 80 1</b>	37 (E 108/19-220)	24,9
<b>HF-ES 80 2</b>	50 (E 75-100)	26,3
<b>HF-ES 80 3</b>	62 (E 48-70)	28,3
<b>HF-ES 80 4</b>	100 (E 38-46)	35,4



# HF-cable clamps

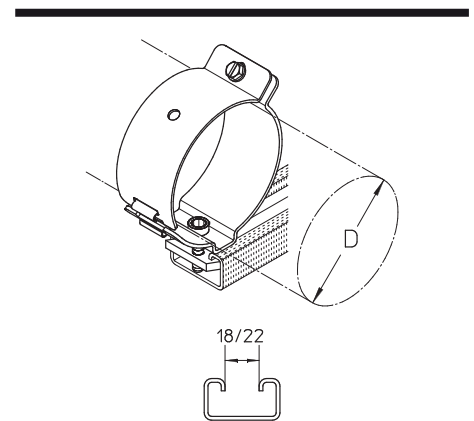
## HF-ES 80 5-6 HF-cable clamp for angular profile fastening

article number	D mm	G kg/100
<b>Z</b>		
HF-ES 80 5	128 (E 26-30)	106,1
HF-ES 80 6	160 (E 20)	121,9



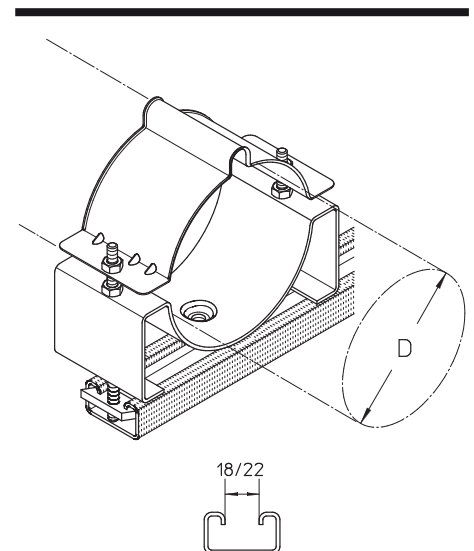
## HF-EAC 1-4 HF-cable clamp for fastening to C-rails

article number	D mm	G kg/100
<b>Z</b>		
HF-EAC 1	37 (E 108/19-220)	17,2
HF-EAC 2	50 (E 75-100)	18,6
HF-EAC 3	62 (E 48-70)	20,7
HF-EAC 4	100 (E 38-46)	27,8



## HF-EAC 5-6 HF-cable clamp for fastening to C-rails

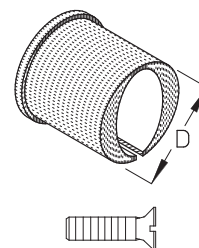
article number	D mm	G kg/100
<b>Z</b>		
HF-EAC 5	128 (E 26-30)	96,6
HF-EAC 6	160 (E 20)	112,6



# HF-cable clamps

## HF-EE HF-clamp lining

article number	D mm	G kg/100
<b>Z</b>		
<b>HF-EE 190</b>	37 (E 190)	8,1
<b>HF-EE 150</b>	37 (E 150)	8,0
<b>HF-EE 130</b>	37 (E 130)	7,9
<b>HF-EE 105</b>	50 (E 105)	10,0
<b>HF-EE 78</b>	50 (E 78)	9,7
<b>HF-EE 70</b>	62 (E 70)	15,2
<b>HF-EE 65</b>	62 (E 65)	14,9
<b>HF-EE 60</b>	62 (E 60)	14,8
<b>HF-EE 46</b>	100 (E 46)	28,6
<b>HF-EE 38</b>	100 (E 38)	30,0





C