

Cable channels

| | |
|----------------|---------|
| Cable channels | L03 |
| Fittings | L04-L05 |
| Accessories | L06-L09 |
| Cover | L10-L13 |



L

Numeric index

Cable channels

B

BK floor duct [L03](#)

BKA floor duct branch-piece, height=100 mm [L04](#)

BKAA floor duct attachment branch-piece, height=100 mm [L05](#)

BKAADR floor duct attachment branch piece cover with turning bolts [L13](#)

BKAADR-WZB floor duct attachment branch piece cover with chequered plate [L13](#)

BKADR floor duct branch cover with turning bolts [L12](#)

BKADR-WZB floor duct branch cover with chequered plate [L12](#)

BKB floor duct bend, height=100 mm [L04](#)

BKB45 floor duct bend, height=100 mm [L04](#)

BKBDR floor duct cover with turning bolts [L10](#)

BKBDR45 floor duct bend cover with turning bolts [L11](#)

BKBDR45-WZB floor duct bend cover with chequered plate [L11](#)

BKBDR-WZB floor duct cover with chequered plate [L11](#)

BKDR floor duct cover with turning bolts [L10](#)

BKDR-WZB floor duct cover with chequered plate [L10](#)

BKDS floor duct support, height=95 mm [L07](#)

BKDU floor duct support, height=100 mm [L06](#)

BKEB floor duct end-plate, height=80 mm [L06](#)

BKH floor bracket, height=110 mm [L07](#)

BKK floor duct cross-piece, height=100 mm [L05](#)

BKKDR floor duct crossing cover with turning bolts [L12](#)

BKKDR-WZB floor duct crossing cover with chequered plate [L13](#)

BKOS floor duct [L03](#)

BKRT floor duct barrier strip, height=95 mm [L06](#)

BKV 100 floor duct coupler, height=95 mm [L06](#)

BKZ Z-duct [L07](#)

K

KHA 41 C-rail, perforated, 41x41 mm [L08](#)

KHZ floor duct, height=120 mm [L09](#)

Cable channels

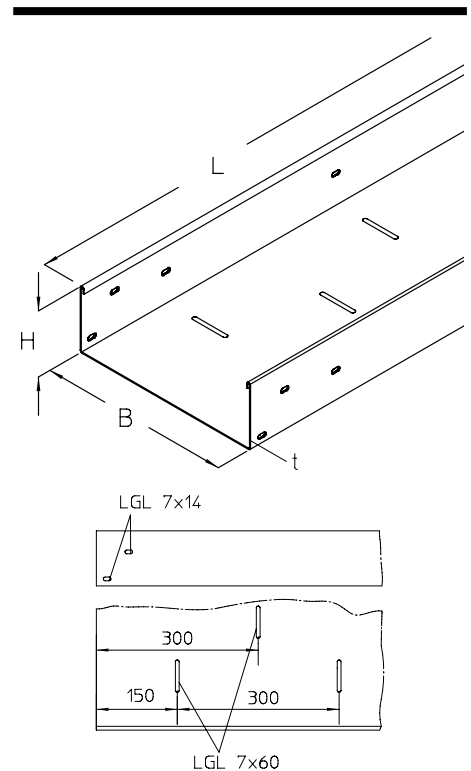
BK floor duct, perforated, height=100 mm

A separating strip needs to be installed from a width of ≥ 300 mm. Two separating strips to be installed from a width of ≥ 500 mm.

| article number | H mm | B mm | L mm | t mm | G kg |
|-------------------|---------|---------|---------|---------|---------|
| S | | | | | |
| BK 100-10S | 102 | 100 | 3000 | 2 | 15,10 |
| BK 100-20S | 102 | 200 | 3000 | 2 | 20,10 |
| BK 100-30S | 102 | 300 | 3000 | 2 | 25,10 |
| BK 100-40S | 102 | 400 | 3000 | 2 | 30,10 |
| BK 100-50S | 102 | 500 | 3000 | 2 | 34,90 |
| BK 100-60S | 102 | 600 | 3000 | 2 | 39,70 |

accessories optional:

| | | |
|-----------------|---------------------------------------|------------|
| BKV 100 | floor duct coupler, height=95 mm | (page L06) |
| BKDR | floor duct cover with turning bolts | (page L10) |
| BKDR-WZB | floor duct cover with chequered plate | (page L10) |



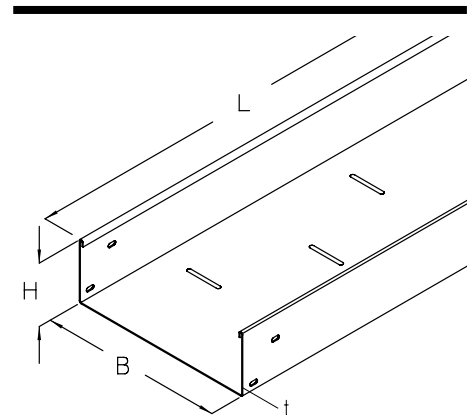
BKOS floor duct, not perforated, height=100 mm

A separating strip needs to be installed from a width of ≥ 300 mm. Two separating strips to be installed from a width of ≥ 500 mm.

| article number | H mm | B mm | L mm | t mm | G kg |
|---------------------|---------|---------|---------|---------|---------|
| S | | | | | |
| BKOS 100-10S | 102 | 100 | 3000 | 2 | 15,10 |
| BKOS 100-20S | 102 | 200 | 3000 | 2 | 20,10 |
| BKOS 100-30S | 102 | 300 | 3000 | 2 | 25,10 |
| BKOS 100-40S | 102 | 400 | 3000 | 2 | 30,10 |
| BKOS 100-50S | 102 | 500 | 3000 | 2 | 34,90 |
| BKOS 100-60S | 102 | 600 | 3000 | 2 | 39,70 |

accessories optional:

| | | |
|-----------------|---------------------------------------|------------|
| BKV 100 | floor duct coupler, height=95 mm | (page L06) |
| BKDR | floor duct cover with turning bolts | (page L10) |
| BKDR-WZB | floor duct cover with chequered plate | (page L10) |



Cable channels

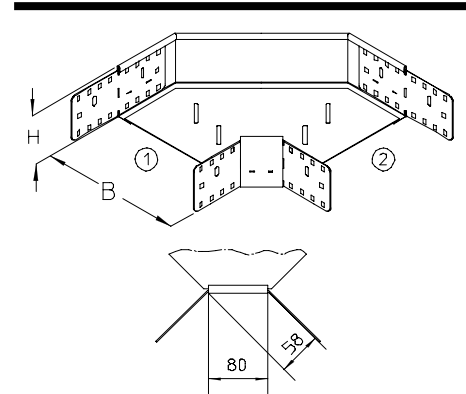
Fittings

BKB floor duct bend, height=100 mm

| article number | H mm | B mm | G kg |
|--------------------|---------|---------|---------|
| S | | | |
| BKB 100-10S | 100 | 100 | 2,20 |
| BKB 100-20S | 100 | 200 | 3,00 |
| BKB 100-30S | 100 | 300 | 4,00 |
| BKB 100-40S | 100 | 400 | 5,20 |
| BKB 100-50S | 100 | 500 | 6,60 |
| BKB 100-60S | 100 | 600 | 8,30 |

accessories optional:

| | | |
|------------------|---------------------------------------|------------|
| BKBDR | floor duct cover with turning bolts | (page L10) |
| BKBDR-WZB | floor duct cover with chequered plate | (page L11) |
| KLR | fixing set | (page G33) |

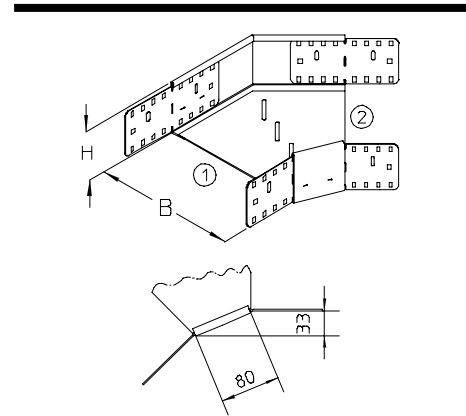


BKB45 floor duct bend, height=100 mm

| article number | H mm | B mm | G kg |
|----------------------|---------|---------|---------|
| S | | | |
| BKB45 100-10S | 100 | 100 | 1,20 |
| BKB45 100-20S | 100 | 200 | 1,80 |
| BKB45 100-30S | 100 | 300 | 2,70 |
| BKB45 100-40S | 100 | 400 | 3,60 |
| BKB45 100-50S | 100 | 500 | 5,10 |
| BKB45 100-60S | 100 | 600 | 6,50 |

accessories optional:

| | | |
|--------------------|--|------------|
| BKBDR45 | floor duct bend cover with turning bolts | (page L11) |
| BKBDR45-WZB | floor duct bend cover with chequered plate | (page L11) |
| KLR | fixing set | (page G33) |

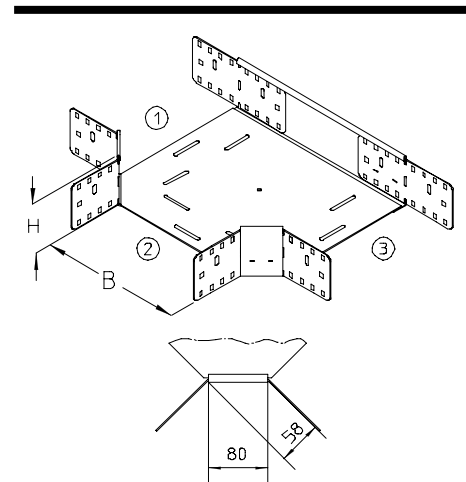


BAK floor duct branch-piece, height=100 mm

| article number | H mm | B mm | G kg |
|--------------------|---------|---------|---------|
| S | | | |
| BAK 100-10S | 100 | 100 | 3,00 |
| BAK 100-20S | 100 | 200 | 4,30 |
| BAK 100-30S | 100 | 300 | 5,90 |
| BAK 100-40S | 100 | 400 | 7,70 |
| BAK 100-50S | 100 | 500 | 8,70 |
| BAK 100-60S | 100 | 600 | 12,20 |

accessories optional:

| | | |
|------------------|---------------------------------------|------------|
| BKBDR | floor duct cover with turning bolts | (page L10) |
| BKBDR-WZB | floor duct cover with chequered plate | (page L11) |
| KLR | fixing set | (page G33) |



Cable channels

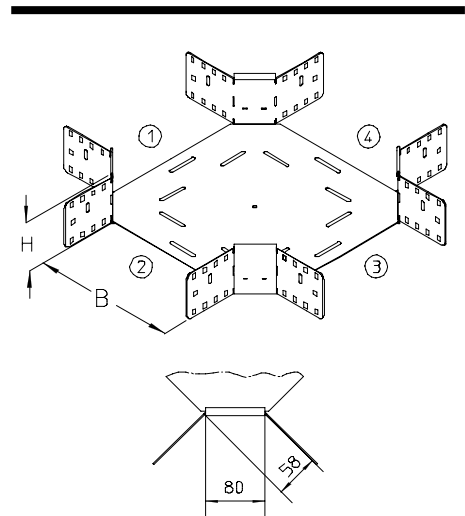
Fittings

BKK floor duct cross-piece, height=100 mm

| article number | H mm | B mm | G kg |
|--------------------|---------|---------|---------|
| S | | | |
| BKK 100-10S | 100 | 100 | 3,00 |
| BKK 100-20S | 100 | 200 | 4,50 |
| BKK 100-30S | 100 | 300 | 6,00 |
| BKK 100-40S | 100 | 400 | 7,70 |
| BKK 100-50S | 100 | 500 | 9,70 |
| BKK 100-60S | 100 | 600 | 12,00 |

accessories optional:

| | | |
|------------------|---------------------------------------|------------|
| BKBDR | floor duct cover with turning bolts | (page L10) |
| BKBDR-WZB | floor duct cover with chequered plate | (page L11) |
| KLR | fixing set | (page G33) |

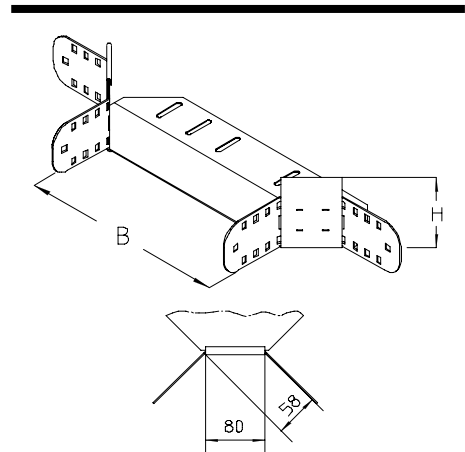


BKAA floor duct attachment branch-piece, height=100 mm

| article number | H mm | B mm | G kg |
|---------------------|---------|---------|---------|
| S | | | |
| BKAA 100-10S | 100 | 100 | 1,80 |
| BKAA 100-20S | 100 | 200 | 2,20 |
| BKAA 100-30S | 100 | 300 | 2,50 |
| BKAA 100-40S | 100 | 400 | 2,80 |
| BKAA 100-50S | 100 | 500 | 3,10 |
| BKAA 100-60S | 100 | 600 | 3,40 |

accessories optional:

| | | |
|-------------------|---|------------|
| BKAADR | floor duct attachment branch piece cover with turning bolts | (page L13) |
| BKAADR-WZB | floor duct attachment branch piece cover with chequered plate | (page L13) |
| KLR | fixing set | (page G33) |



Cable channels

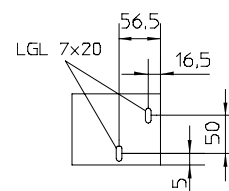
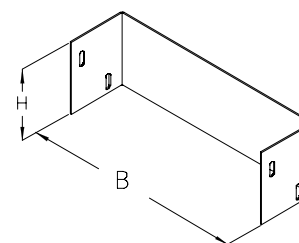
Accessories

BKEB floor duct end-plate, height=80 mm

| article number | H mm | B mm | G kg |
|---------------------|---------|---------|---------|
| S | | | |
| BKEB 100-10S | 80 | 100 | 0,30 |
| BKEB 100-20S | 80 | 200 | 0,40 |
| BKEB 100-30S | 80 | 300 | 0,50 |
| BKEB 100-40S | 80 | 400 | 0,60 |
| BKEB 100-50S | 80 | 500 | 0,70 |
| BKEB 100-60S | 80 | 600 | 1,00 |

accessories optional:

KLR fixing set (page G33)

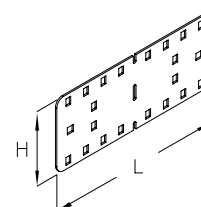


BKV 100 floor duct coupler, height=95 mm

| article number | H mm | L mm | G kg |
|-----------------|---------|---------|---------|
| S | | | |
| BKV 100S | 95 | 230 | 0,34 |

accessories included:

1 x **RGV 110S** cable tray coupler, height=110 mm (page B38)



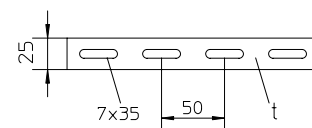
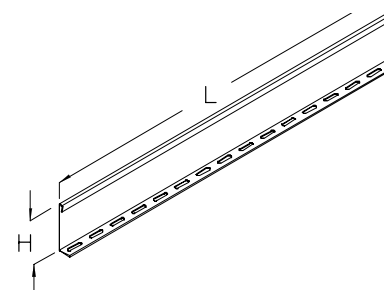
BKRT floor duct barrier strip, height=95 mm

| article number | H mm | L mm | t mm | G kg |
|------------------|---------|---------|---------|---------|
| S | | | | |
| BKRT 100S | 100 | 3000 | 2 | 3,22 |

accessories included:

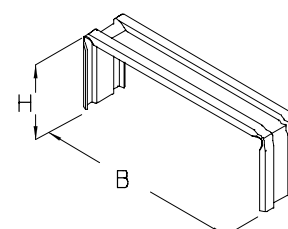
3 x **FRSV 6x12** round-head screw with short square (page G34)

3 x **SEMS 6** hexagon nut, self-locking, DIN 6923 (page G41)



BKDU floor duct support, height=100 mm

| article number | H mm | B mm | G kg |
|---------------------|---------|---------|---------|
| F | | | |
| BKDU 100-20F | 100 | 200 | 0,40 |
| BKDU 100-30F | 100 | 300 | 0,50 |
| BKDU 100-40F | 100 | 400 | 0,70 |
| BKDU 100-50F | 100 | 500 | 0,80 |
| BKDU 100-60F | 100 | 600 | 0,90 |

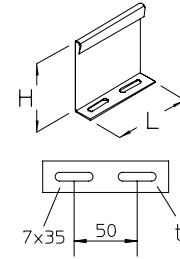


Cable channels

Accessories

BKDS floor duct support, height=95 mm

| article number | H mm | L mm | t mm | G kg |
|----------------|---------|---------|---------|---------|
| S | | | | |
| BKDS S | 100 | 100 | 2 | 0,20 |

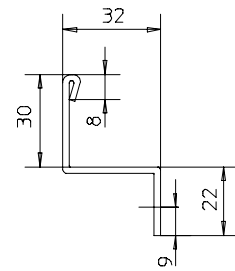
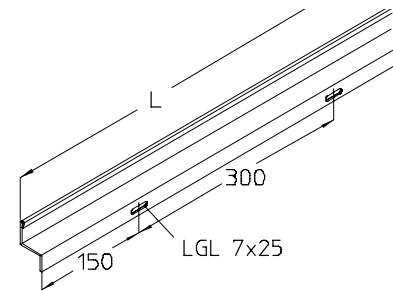


BKZ Z-duct

| article number | B mm | L mm | G kg |
|----------------|---------|---------|---------|
| S | | | |
| BKZ S | 32 | 3000 | 2,20 |

accessories included:

- 3 x **FRSV 6x12** round-head screw with short square (page G34)
- 3 x **SEMS 6** hexagon nut, self-locking, DIN 6923 (page G41)

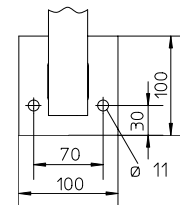
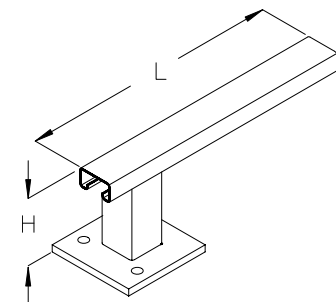


BKH floor bracket, height=110 mm

| article number | H mm | L mm | G kg |
|----------------|---------|---------|---------|
| F | | | |
| BKH 10F | 110 | 100 | 0,80 |
| BKH 20F | 110 | 200 | 1,00 |
| BKH 30F | 110 | 300 | 1,20 |

accessories optional:

- AM18** channel nut, A7/ A8 (page G44)
- SD** expansion anchor (page G12)



Cable channels

Accessories

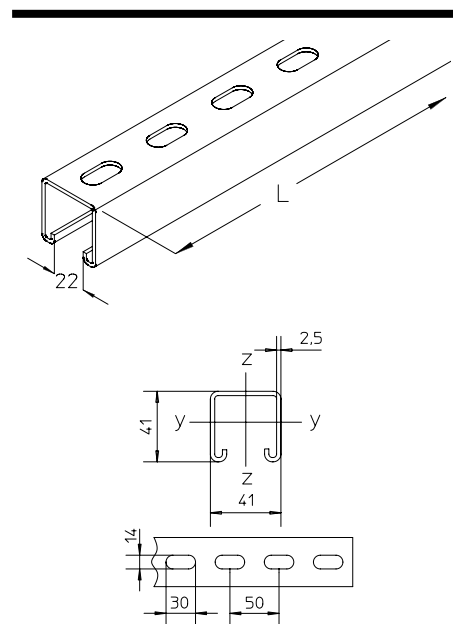
KHA 41 C-rail, perforated, 41x41 mm

This article is also available made in stainless steel finish, material No. 1.4571 / 1.4404 (V4A).
 For an application example, see the chapter assembly.
 For assembly instructions, see the chapter assembly.

| article number | H mm | B mm | L mm | t mm | G kg |
|----------------|---------|---------|---------|---------|---------|
| F | | | | | |
| KHA 41-01F | 41 | 41 | 100 | 2,5 | 0,30 |
| KHA 41-02F | 41 | 41 | 200 | 2,5 | 0,50 |
| KHA 41-03F | 41 | 41 | 300 | 2,5 | 0,80 |
| KHA 41-04F | 41 | 41 | 400 | 2,5 | 1,10 |
| KHA 41-05F | 41 | 41 | 500 | 2,5 | 1,30 |
| KHA 41-06F | 41 | 41 | 600 | 2,5 | 1,60 |
| KHA 41-07F | 41 | 41 | 700 | 2,5 | 1,90 |
| KHA 41-08F | 41 | 41 | 800 | 2,5 | 2,10 |
| KHA 41-09F | 41 | 41 | 900 | 2,5 | 2,40 |
| KHA 41-10F | 41 | 41 | 1000 | 2,5 | 2,60 |
| KHA 41-11F | 41 | 41 | 1100 | 2,5 | 2,90 |
| KHA 41-12F | 41 | 41 | 1200 | 2,5 | 3,20 |
| KHA 41-13F | 41 | 41 | 1300 | 2,5 | 3,40 |
| KHA 41-14F | 41 | 41 | 1400 | 2,5 | 3,70 |
| KHA 41-15F | 41 | 41 | 1500 | 2,5 | 4,00 |
| KHA 41-20F | 41 | 41 | 2000 | 2,5 | 5,30 |
| KHA 41-30F | 41 | 41 | 3000 | 2,5 | 7,90 |
| KHA 41-60F | 41 | 41 | 6000 | 2,5 | 15,90 |

accessories optional:

| | | |
|---------------|-----------------------------------|------------|
| AM22 | channel nut, A41/ KHA 41/ KHAL 41 | (page G43) |
| AMF22 | channel spring nut, A41 | (page G43) |
| RUS 41 | stabilization plate, KHA profiles | (page G41) |
| SKS A | beam clamp set | (page G04) |
| SA 2 | protection end cap | (page F55) |
| SAI 41 | protection end cap | (page F55) |



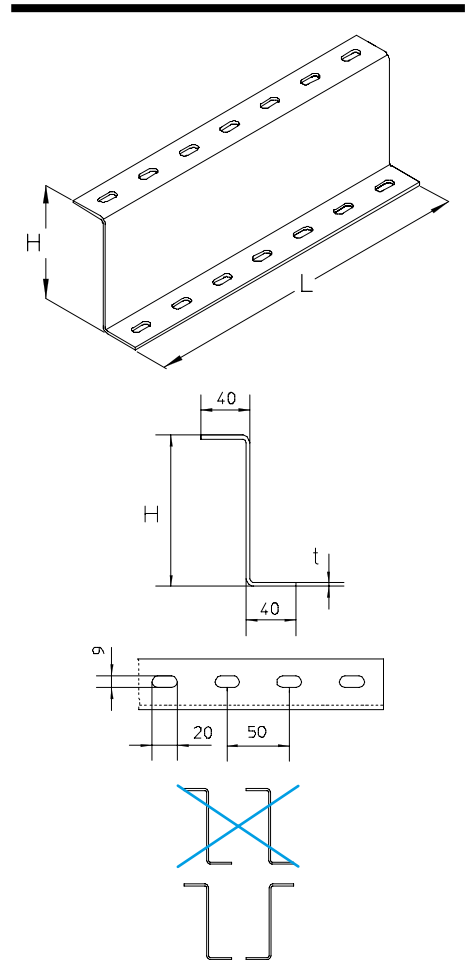
Cable channels

Accessories

KHZ floor duct, height=120 mm

Alternating alignment must be observed while mounting.

| article number | H mm | L mm | t mm | G kg |
|--------------------|---------|---------|---------|---------|
| S | | | | |
| KHZ 120-01S | 120 | 100 | 3 | 0,40 |
| KHZ 120-02S | 120 | 200 | 3 | 0,90 |
| KHZ 120-03S | 120 | 300 | 3 | 1,30 |
| KHZ 120-04S | 120 | 400 | 3 | 1,80 |
| KHZ 120-05S | 120 | 500 | 3 | 2,20 |
| KHZ 120-06S | 120 | 600 | 3 | 2,60 |
| KHZ 120-30S | 120 | 3000 | 3 | 12,10 |



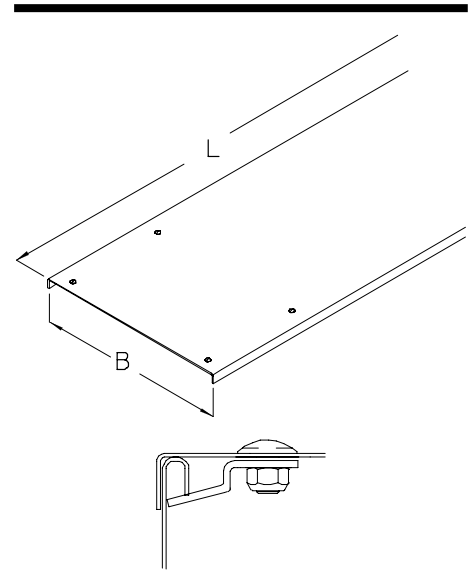
L

Cable channels

Cover

BKDR floor duct cover with turning bolts

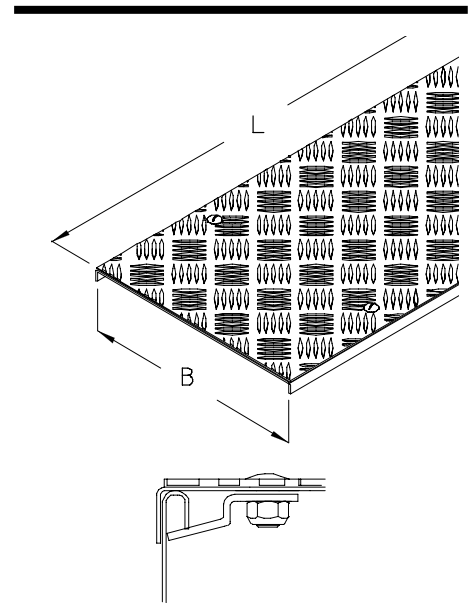
| article number | B mm | L mm | G kg |
|----------------|---------|---------|---------|
| S | | | |
| BKDR 10S | 100 | 3000 | 6,50 |
| BKDR 20S | 200 | 3000 | 12,00 |
| BKDR 30S | 300 | 3000 | 18,00 |
| BKDR 40S | 400 | 3000 | 24,00 |
| BKDR 50S | 500 | 3000 | 29,00 |
| BKDR 60S | 600 | 3000 | 33,00 |



BKDR-WZB floor duct cover with chequered plate

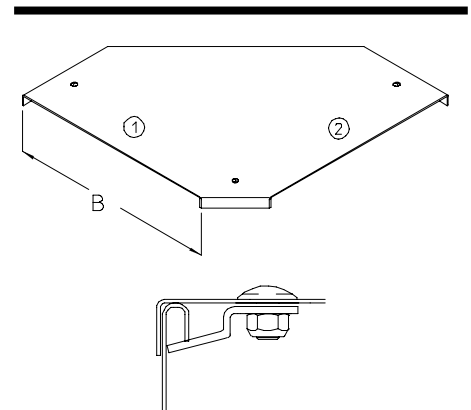
| article number | B mm | L mm | G kg |
|----------------|---------|---------|---------|
| S | | | |
| BKDR-WZB 10S | 100 | 3000 | 8,20 |
| BKDR-WZB 20S | 200 | 3000 | 15,20 |
| BKDR-WZB 30S | 300 | 3000 | 22,20 |
| BKDR-WZB 40S | 400 | 3000 | 29,20 |
| BKDR-WZB 50S | 500 | 3000 | 40,50 |
| BKDR-WZB 60S | 600 | 3000 | 46,90 |

| | | | |
|---------------|-----|------|-------|
| AL | | | |
| BKDR-WZB 10AL | 100 | 3000 | 8,20 |
| BKDR-WZB 20AL | 200 | 3000 | 15,20 |
| BKDR-WZB 30AL | 300 | 3000 | 22,20 |
| BKDR-WZB 40AL | 400 | 3000 | 29,20 |
| BKDR-WZB 50AL | 500 | 3000 | 40,50 |
| BKDR-WZB 60AL | 600 | 3000 | 46,90 |



BKBDR floor duct cover with turning bolts

| article number | B mm | G kg |
|----------------|---------|---------|
| S | | |
| BKBDR 10S | 100 | 0,50 |
| BKBDR 20S | 200 | 1,10 |
| BKBDR 30S | 300 | 2,00 |
| BKBDR 40S | 400 | 3,20 |
| BKBDR 50S | 500 | 4,60 |
| BKBDR 60S | 600 | 6,30 |

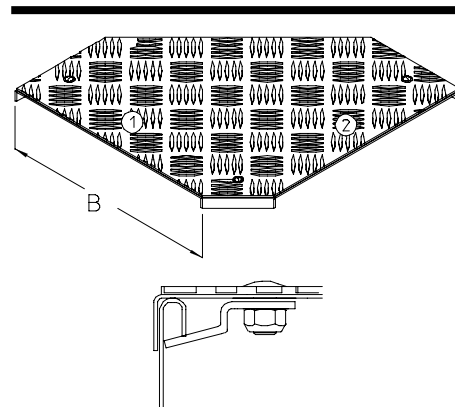


Cable channels

Cover

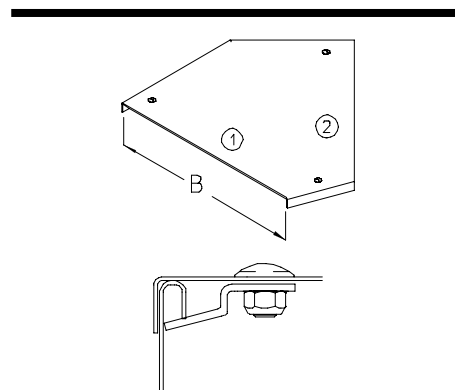
BKBDR-WZB floor duct cover with chequered plate

| article number | B mm | G kg |
|----------------------|---------|---------|
| S | | |
| BKBDR-WZB 10S | 100 | 0,70 |
| BKBDR-WZB 20S | 200 | 1,50 |
| BKBDR-WZB 30S | 300 | 1,60 |
| BKBDR-WZB 40S | 400 | 1,80 |
| BKBDR-WZB 50S | 500 | 6,60 |
| BKBDR-WZB 60S | 600 | 9,10 |



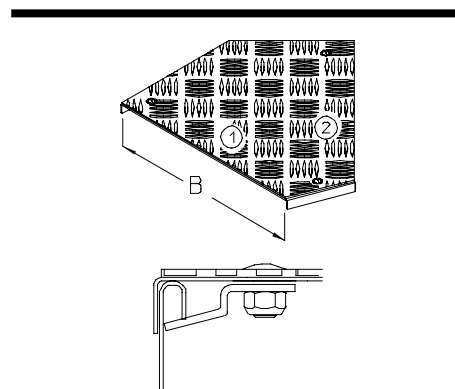
BKBDR45 floor duct bend cover with turning bolts

| article number | B mm | G kg |
|--------------------|---------|---------|
| S | | |
| BKBDR45 10S | 100 | 0,50 |
| BKBDR45 20S | 200 | 0,80 |
| BKBDR45 30S | 300 | 1,20 |
| BKBDR45 40S | 400 | 2,00 |
| BKBDR45 50S | 500 | 2,70 |
| BKBDR45 60S | 600 | 3,60 |



BKBDR45-WZB floor duct bend cover with chequered plate

| article number | B mm | G kg |
|------------------------|---------|---------|
| S | | |
| BKBDR45-WZB 10S | 100 | 0,60 |
| BKBDR45-WZB 20S | 200 | 1,20 |
| BKBDR45-WZB 30S | 300 | 1,70 |
| BKBDR45-WZB 40S | 400 | 2,90 |
| BKBDR45-WZB 50S | 500 | 3,90 |
| BKBDR45-WZB 60S | 600 | 5,30 |

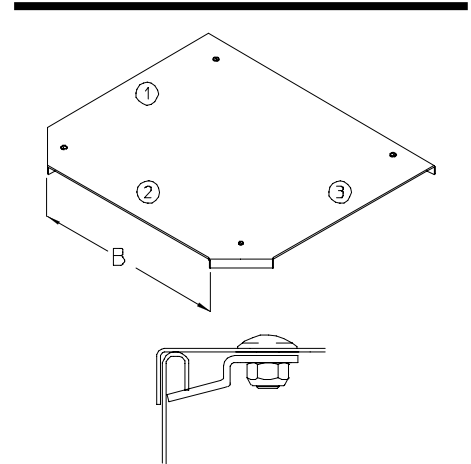


Cable channels

Cover

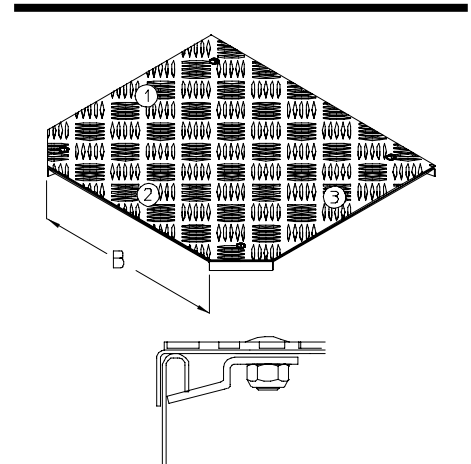
BKADR floor duct branch cover with turning bolts

| article number | B mm | G kg |
|------------------|---------|---------|
| S | | |
| BKADR 10S | 100 | 0,80 |
| BKADR 20S | 200 | 1,50 |
| BKADR 30S | 300 | 2,60 |
| BKADR 40S | 400 | 4,10 |
| BKADR 50S | 500 | 5,80 |
| BKADR 60S | 600 | 7,90 |



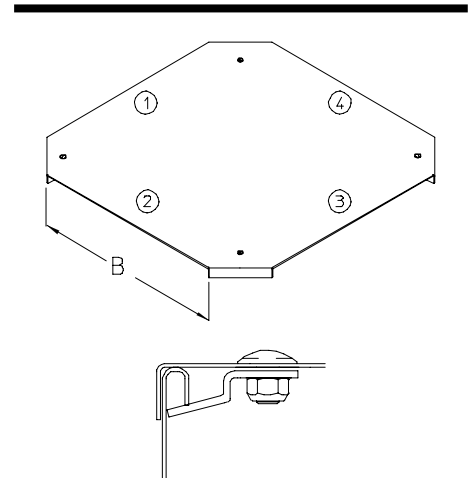
BKADR-WZB floor duct branch cover with chequered plate

| article number | B mm | G kg |
|----------------------|---------|---------|
| S | | |
| BKADR-WZB 10S | 100 | 1,00 |
| BKADR-WZB 20S | 200 | 2,10 |
| BKADR-WZB 30S | 300 | 3,70 |
| BKADR-WZB 40S | 400 | 5,90 |
| BKADR-WZB 50S | 500 | 8,50 |
| BKADR-WZB 60S | 600 | 11,60 |



BKKDR floor duct crossing cover with turning bolts

| article number | B mm | G kg |
|------------------|---------|---------|
| S | | |
| BKKDR 10S | 100 | 0,90 |
| BKKDR 20S | 200 | 1,70 |
| BKKDR 30S | 300 | 2,90 |
| BKKDR 40S | 400 | 4,40 |
| BKKDR 50S | 500 | 6,20 |
| BKKDR 60S | 600 | 8,30 |

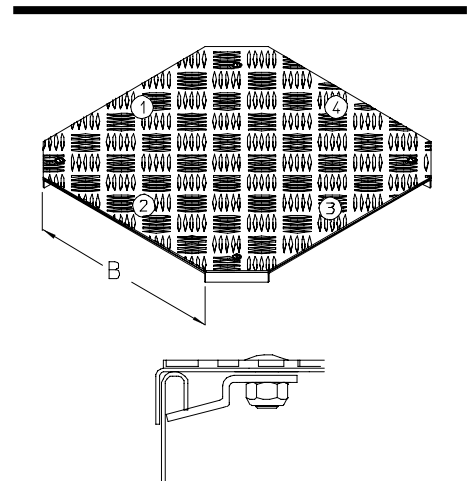


Cable channels

Cover

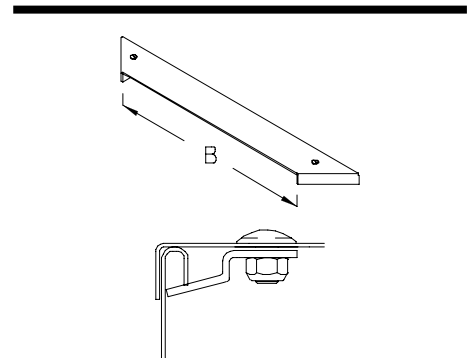
BKKDR-WZB floor duct crossing cover with chequered plate

| article number | B mm | G kg |
|----------------------|---------|---------|
| S | | |
| BKKDR-WZB 10S | 100 | 1,10 |
| BKKDR-WZB 20S | 200 | 2,40 |
| BKKDR-WZB 30S | 300 | 4,10 |
| BKKDR-WZB 40S | 400 | 6,40 |
| BKKDR-WZB 50S | 500 | 9,00 |
| BKKDR-WZB 60S | 600 | 12,10 |



BKAADR floor duct attachment branch piece cover with turning bolts

| article number | B mm | G kg |
|-------------------|---------|---------|
| S | | |
| BKAADR 10S | 100 | 0,30 |
| BKAADR 20S | 200 | 0,40 |
| BKAADR 30S | 300 | 0,50 |
| BKAADR 40S | 400 | 0,60 |
| BKAADR 50S | 500 | 0,60 |
| BKAADR 60S | 600 | 0,70 |



BKAADR-WZB floor duct attachment branch piece cover with chequered plate

| article number | B mm | G kg |
|-----------------------|---------|---------|
| S | | |
| BKAADR-WZB 10S | 100 | 0,40 |
| BKAADR-WZB 20S | 200 | 0,60 |
| BKAADR-WZB 30S | 300 | 0,70 |
| BKAADR-WZB 40S | 400 | 0,80 |
| BKAADR-WZB 50S | 500 | 0,90 |
| BKAADR-WZB 60S | 600 | 1,10 |

