



Wire-mesh Cable trays

Wire-mesh cable trays [A03-A06](#)

Accessories [A07-A11](#)



A

Numeric index

Wire-mesh Cable trays

G

G 100 wire mesh cable tray [A04](#)
G 50 wire mesh cable tray [A03](#)
GI wire mesh cable tray [A05](#)
GTD 30 wire-mesh cable support W-shape [A06](#)
GTDW wire-mesh cable support G-shape [A05](#)
GTR 100 wire-mesh cable tray barrier strip [A10](#)
GTR 50 wire-mesh cable tray barrier strip [A09](#)
GTR 60 wire-mesh cable tray barrier strip [A10](#)
GV 30 wire-mesh cable tray coupler [A07](#)
GVD 30 wire-mesh cable tray coupler [A08](#)
GVK Wire-mesh cable tray coupler clamp [A09](#)
GV-L 30 wire-mesh cable tray coupler [A08](#)
GVU wire-mesh cable tray coupler [A09](#)

K

KZF cold zinc paint [A11](#)
KZS cold zinc spray [A11](#)

M

MP-G assembly plate [A07](#)

Wire-mesh Cable trays

G 50 wire mesh cable tray , height=53 mm

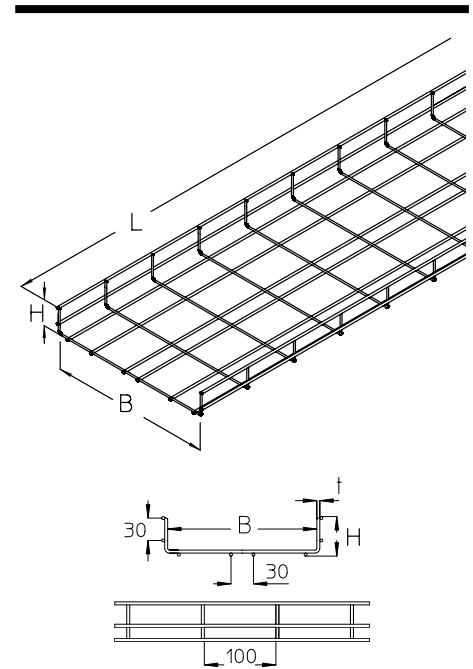
This article is also available made in stainless steel finish, material No. 1.4571 / 1.4404 (V4A).
For a load diagram, see the chapter planning.



article number	H mm	B mm	L mm	a mm	t mm	G kg
S						
G 50-10S	53	100	3000	30	4,0	2,30
G 50-20S	53	200	3000	30	4,0	3,20
G 50-30S	53	300	3000	30	4,0	4,10
G 50-40S	53	400	3000	30	4,5	6,30
G 50-50S	53	500	3000	30	4,5	7,40
G 50-60S	53	600	3000	30	4,5	8,50
F						
G 50-10F	53	100	3000	30	4,0	2,40
G 50-20F	53	200	3000	30	4,0	3,30
G 50-30F	53	300	3000	30	4,0	4,20
G 50-40F	53	400	3000	30	4,5	6,50
G 50-50F	53	500	3000	30	4,5	7,70
G 50-60F	53	600	3000	30	4,5	8,80
E						
G 50-10E	53	100	3000	30	4,0	2,30
G 50-20E	53	200	3000	30	4,0	3,20
G 50-30E	53	300	3000	30	4,0	4,10
G 50-40E	53	400	3000	30	4,5	6,30
G 50-50E	53	500	3000	30	4,5	7,40
G 50-60E	53	600	3000	30	4,5	8,50

accessories optional:

GV 30	wire-mesh cable tray coupler	(page A07)
GVD 30	wire-mesh cable tray coupler	(page A08)
GV-L 30	wire-mesh cable tray coupler	(page A08)
GVU	wire-mesh cable tray coupler	(page A09)
GVK	Wire-mesh cable tray coupler clamp	(page A09)
GTR 50	wire-mesh cable tray barrier strip	(page A09)
MP-G	assembly plate	(page A07)
KLU	fixing set	(page G07)



Wire-mesh Cable trays

G 100 wire mesh cable tray , height=103 mm

This article is also available made in stainless steel finish, material No. 1.4571 / 1.4404 (V4A).

For a load diagram, see the chapter planning.

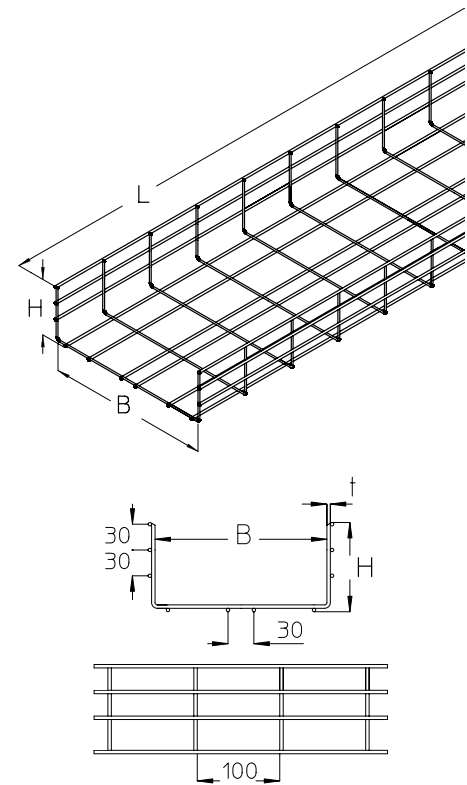
For an application example, see the chapter assembly.



article number	H mm	B mm	L mm	a mm	t mm	G kg
S						
G 100-10S	103	100	3000	30	4,0	3,20
G 100-20S	103	200	3000	30	4,0	4,10
G 100-30S	103	300	3000	30	4,5	6,30
G 100-40S	103	400	3000	30	4,5	7,40
G 100-50S	103	500	3000	30	4,5	8,50
G 100-60S	103	600	3000	30	4,5	9,60
F						
G 100-10F	103	100	3000	30	4,0	3,30
G 100-20F	103	200	3000	30	4,0	4,20
G 100-30F	103	300	3000	30	4,5	6,50
G 100-40F	103	400	3000	30	4,5	7,70
G 100-50F	103	500	3000	30	4,5	8,80
G 100-60F	103	600	3000	30	4,5	9,90
E						
G 100-10E	103	100	3000	30	4,0	3,20
G 100-20E	103	200	3000	30	4,0	4,10
G 100-30E	103	300	3000	30	4,5	6,30
G 100-40E	103	400	3000	30	4,5	7,40
G 100-50E	103	500	3000	30	4,5	8,50
G 100-60E	103	600	3000	30	4,5	9,60
E4						
G 100-10E4	103	100	3000	30	4,0	3,30
G 100-20E4	103	200	3000	30	4,0	4,20
G 100-30E4	103	300	3000	30	4,5	6,50
G 100-40E4	103	400	3000	30	4,5	7,70

accessories optional:

GV 30	wire-mesh cable tray coupler	(page A07)
GVD 30	wire-mesh cable tray coupler	(page A08)
GV-L 30	wire-mesh cable tray coupler	(page A08)
GVU	wire-mesh cable tray coupler	(page A09)
GVK	Wire-mesh cable tray coupler clamp	(page A09)
GTR 100	wire-mesh cable tray barrier strip	(page A10)
MP-G	assembly plate	(page A07)
KLU	fixing set	(page G07)



Wire-mesh Cable trays

GI wire mesh cable tray , height=60 mm

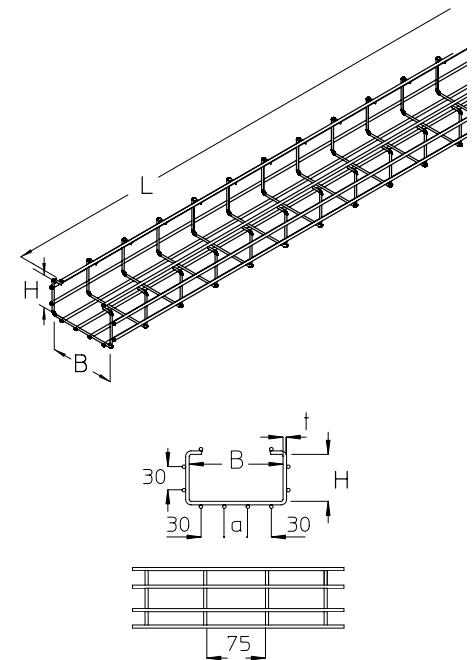
This article is also available made in stainless steel finish, material No. 1.4571 / 1.4404 (V4A).
For a load diagram, see the chapter planning.



article number	H mm	B mm	L mm	a mm	t mm	G kg
S						
GI 06S	60	60	3000	30	4,5	4,10
GI 12S	60	120	3000	30	4,5	5,20
GI 20S	60	200	3000	30	4,5	5,60
GI 30S	60	300	3000	30	4,5	6,80
F						
GI 06F	60	60	3000	30	4,5	4,40
GI 12F	60	120	3000	30	4,5	5,60
GI 20F	60	200	3000	30	4,5	6,00
GI 30F	60	300	3000	30	4,5	7,30
E						
GI 06E	60	60	3000	30	4,5	4,10
GI 12E	60	120	3000	30	4,5	5,20
GI 20E	60	200	3000	30	4,5	5,60
GI 30E	60	300	3000	30	4,5	6,90

accessories optional:

GV 30	wire-mesh cable tray coupler	(page A07)
GVD 30	wire-mesh cable tray coupler	(page A08)
GV-L 30	wire-mesh cable tray coupler	(page A08)
GVU	wire-mesh cable tray coupler	(page A09)
GVK	Wire-mesh cable tray coupler clamp	(page A09)
GTR 60	wire-mesh cable tray barrier strip	(page A10)
MP-G	assembly plate	(page A07)
KLU	fixing set	(page G07)



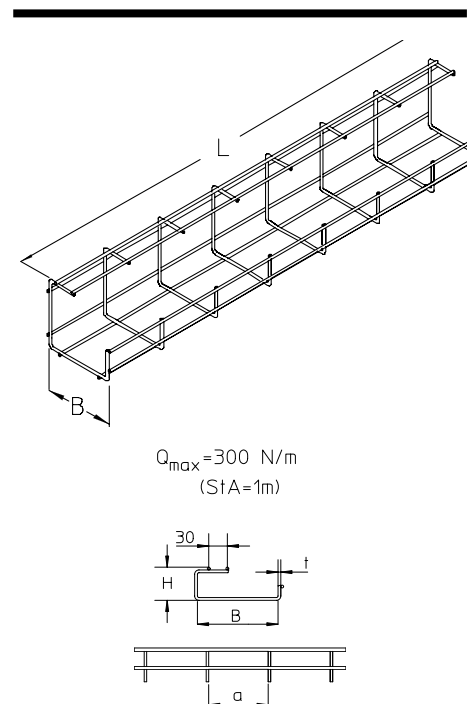
GTDW wire-mesh cable support G-shape

For an application example, see the chapter assembly.

article number	H mm	B mm	L mm	a mm	t mm	G kg
S						
GTDW 8S	48	80	3000	100	4,0	2,30
GTDW 10S	99	100	3000	100	4,0	3,20
GTDW 13S	53	130	3000	200	4,5	1,70
F						
GTDW 8F	48	80	3000	100	4,0	2,40
GTDW 10F	99	100	3000	100	4,0	3,30

accessories optional:

GV 30	wire-mesh cable tray coupler	(page A07)
GVD 30	wire-mesh cable tray coupler	(page A08)
GV-L 30	wire-mesh cable tray coupler	(page A08)
GVU	wire-mesh cable tray coupler	(page A09)
GVK	Wire-mesh cable tray coupler clamp	(page A09)
MP-G	assembly plate	(page A07)
KLU	fixing set	(page G07)



Wire-mesh Cable trays

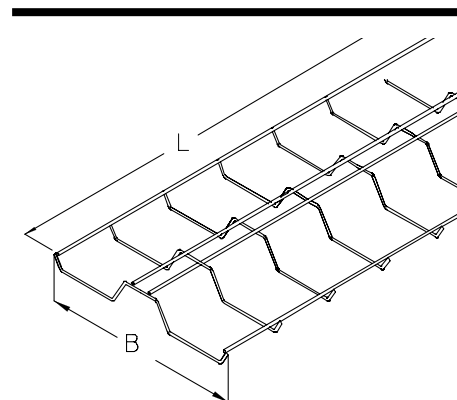
GTD 30 wire-mesh cable support W-shape

For an application example, see the chapter assembly.

article number	H mm	B mm	L mm	G kg
S				
GTD 30S	50	300	3000	2,40
F				
GTD 30F	50	300	3000	2,50

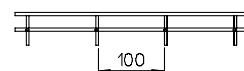
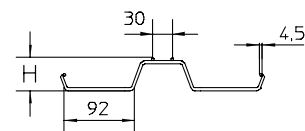
accessories optional:

GV-L 30	wire-mesh cable tray coupler	(page A08)
GVD 30	wire-mesh cable tray coupler	(page A08)
GVU	wire-mesh cable tray coupler	(page A09)
GVK	Wire-mesh cable tray coupler clamp	(page A09)



$$Q_{\max} = 300 \text{ N/m}$$

(StA=1m)



Wire-mesh Cable trays

Accessories

MP-G assembly plate

For an application example, see the chapter assembly.

article number	H mm	B mm	G kg
S			
MP-G 50S	198	120	0,16

accessories included:

1 x SEMS 8	hexagon nut, self-locking, DIN 6923	(page G41)
1 x FRSV 8x16	round-head screw with short square	(page G34)
1 x GV-L 30F	wire-mesh cable tray coupler	(page A08)

article number	H mm	B mm	G kg
F			
MP-G 50F	198	120	0,17

accessories included:

1 x SEMS 8E	hexagon nut, self-locking, DIN 6923	(page G41)
1 x FRSV 8x16E	round-head screw with short square	(page G35)
1 x GV-L 30F	wire-mesh cable tray coupler	(page A08)

article number	H mm	B mm	G kg
E4			
MP-G 50E4	198	120	0,16

accessories included:

1 x US 8x17E4	square washer, DIN 125	(page G40)
1 x SEM 8E4	hexagon-nut, DIN 934	(page G41)
1 x SES 8x20E4	hexagon head bolt, DIN 933	(page G38)
1 x GV-L 30E4	wire-mesh cable tray coupler	(page A08)

GV 30 wire-mesh cable tray coupler

For an application example, see the chapter assembly.

article number	G kg
S	
GV 30S	0,04

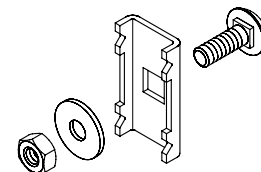
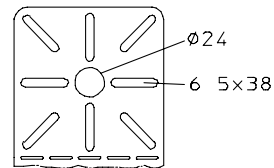
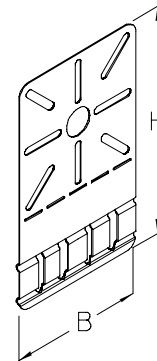
accessories included:

1 x GV-L 30F	wire-mesh cable tray coupler	(page A08)
1 x FRSV 8x16	round-head screw with short square	(page G34)
1 x SEM 8	hexagon-nut, DIN 934	(page G41)
1 x US 8x25	square washer, DIN 9021	(page G40)

article number	G kg
F	
GV 30F	0,04

accessories included:

1 x GV-L 30F	wire-mesh cable tray coupler	(page A08)
1 x FRSV 8x16E	round-head screw with short square	(page G35)
1 x SEM 8E	hexagon-nut, DIN 934	(page G41)
1 x US 8x25E	square washer, DIN 9021	(page G40)



Wire-mesh Cable trays

Accessories

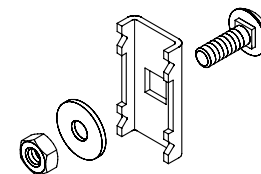
GV 30 wire-mesh cable tray coupler

For an application example, see the chapter assembly.

article number	G	kg
E		
GV 30E		0,04

accessories included:

1 x GV-L 30E	wire-mesh cable tray coupler	(page A08)
1 x FRSV 8x16E	round-head screw with short square	(page G35)
1 x SEM 8E	hexagon-nut, DIN 934	(page G41)
1 x US 8x25E	square washer, DIN 9021	(page G40)



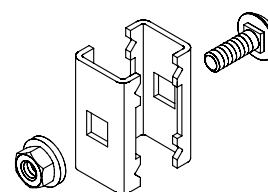
GVD 30 wire-mesh cable tray coupler

For an application example, see the chapter assembly.

article number	G	kg
S		
GVD 30S		0,05

accessories included:

1 x SEMS 8	hexagon nut, self-locking, DIN 6923	(page G41)
1 x FRS 8x25	round-head screw with square, DIN 603	(page G35)
2 x GV-L 30F	wire-mesh cable tray coupler	(page A08)



article number	G	kg
F		
GVD 30F		0,06

article number	G	kg
E		
GVD 30E		0,05

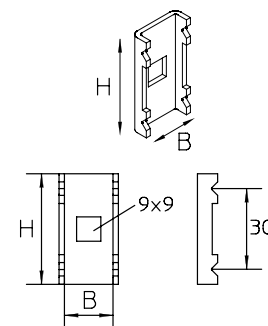
accessories included:

1 x FRS 8x25E	round-head screw with square, DIN 603	(page G35)
1 x SEMS 8E	hexagon nut, self-locking, DIN 6923	(page G41)
2 x GV-L 30E	wire-mesh cable tray coupler	(page A08)

GV-L 30 wire-mesh cable tray coupler

For an application example, see the chapter assembly.

article number	H	B	G
	mm	mm	kg
F			
GV-L 30F	41	18	0,02
E			
GV-L 30E	41	18	0,02
E4			
GV-L 30E4	41	18	0,02



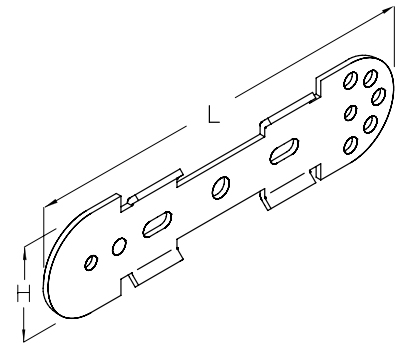
Wire-mesh Cable trays

Accessories

GVU wire-mesh cable tray coupler

For an application example, see the chapter assembly.

article number	H mm	L mm	G kg
F			
GVU F	46	185	0,13
E			
GVU E	46	185	0,10



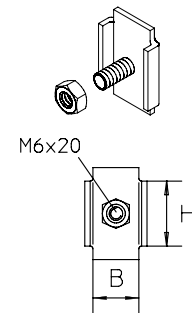
GVK Wire-mesh cable tray coupler clamp

For an application example, see the chapter assembly.

article number	H mm	B mm	G kg
F			
GVK F	24	17	0,02
E			
GVK E	24	17	0,02

accessories included:

1 x **SEMSS 6E** hexagon-nut, self-locking, DIN 985 (page G42)



GTR 50 wire-mesh cable tray barrier strip

For an application example, see the chapter assembly.

article number	H mm	L mm	G kg
S			
GTR 50S	33	3000	1,60

accessories included:

3 x **KLU** fixing set (page G07)

article number	H mm	L mm	G kg
F			
GTR 50F	33	3000	1,70

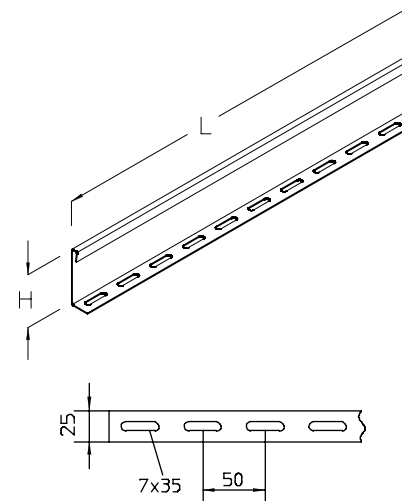
accessories included:

3 x **KLU F** fixing set (page G08)

article number	H mm	L mm	G kg
E			
GTR 50E	33	3000	1,60

accessories included:

3 x **KLU E** fixing set (page G08)



Wire-mesh Cable trays

Accessories

GTR 60 wire-mesh cable tray barrier strip

For an application example, see the chapter assembly.

article number	H mm	L mm	G kg
S			
GTR 60S	50	3000	1,90

accessories included:
3 x **KLU** fixing set (page G07)

article number	H mm	L mm	G kg
F			
GTR 60F	50	3000	2,10

accessories included:
3 x **KLU F** fixing set (page G08)

article number	H mm	L mm	G kg
E			
GTR 60E	50	3000	1,90

accessories included:
3 x **KLU E** fixing set (page G08)

GTR 100 wire-mesh cable tray barrier strip

For an application example, see the chapter assembly.

article number	H mm	L mm	G kg
S			
GTR 100S	75	3000	2,50

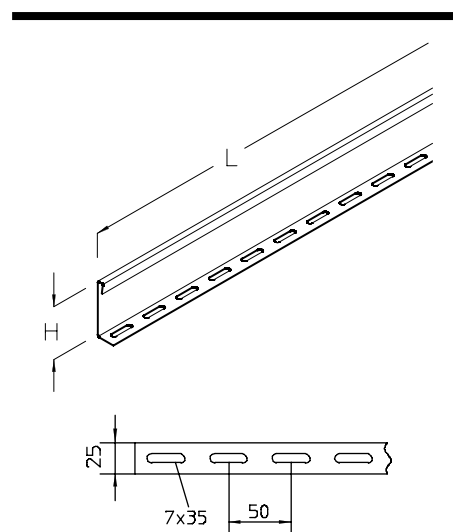
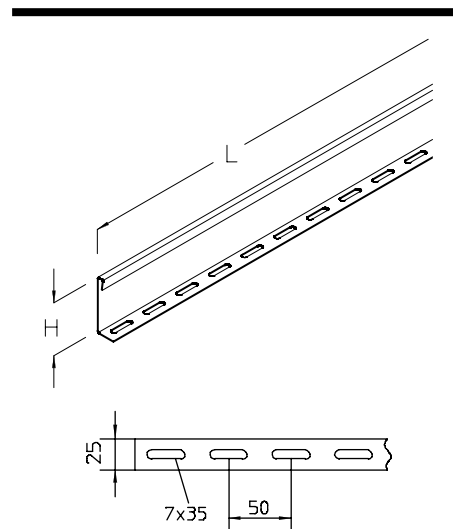
accessories included:
3 x **KLU** fixing set (page G07)

article number	H mm	L mm	G kg
F			
GTR 100F	75	3000	2,70

accessories included:
3 x **KLU F** fixing set (page G08)

article number	H mm	L mm	G kg
E			
GTR 100E	75	3000	2,70

accessories included:
3 x **KLU E** fixing set (page G08)



Wire-mesh Cable trays

Accessories

KZF cold zinc paint

For assembly instructions, see the chapter assembly.

article number	l ml	G kg
KZF	750	1,93



KZS cold zinc spray

For assembly instructions, see the chapter assembly.

article number	l ml	G kg
KZS	400	0,40

