

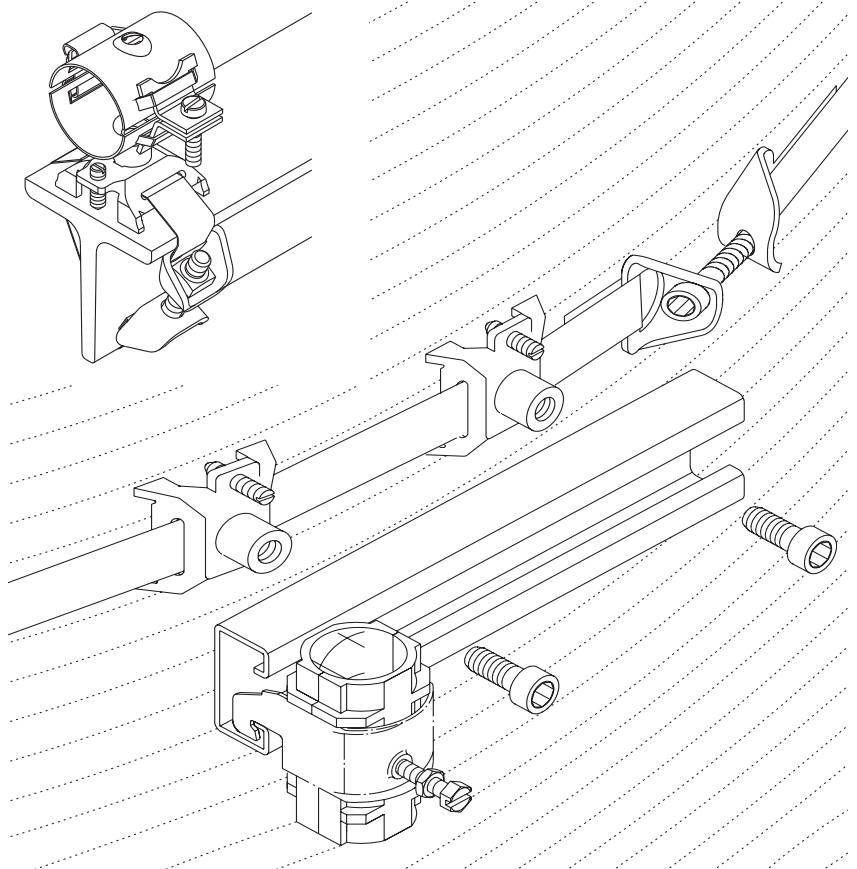
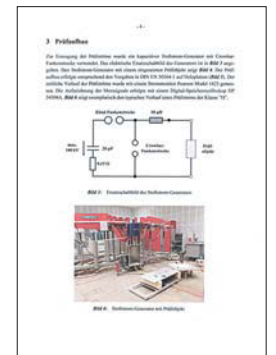
Mounting clamps MKD – Safety for your lightning protection systems



Special high frequency vats for various radio antennas made of hot-dip galvanized steel, corrosion-resistant and non magnetic high-grade steel or of aluminum AlMg3.

The MKD-clamp is a universal fastening element for a variety of different mounting applications. One of its key features is that due to the riveted pressure plate other parts (e.g. coated steel components) can't be damaged.

Additionally, the MKD-clamp meets the requirements of the European norm EN 50164-1 "Lightning Protection Components", class H up to 100 kA (the highest class). Lightning protection equipment like single conductor cables and one or several earthing conductors can be safely mounted with it.





Irrtümer und technische Änderungen vorbehalten. Nachdruck sowie jegliche elektronische Vervielfältigung nur mit unserer schriftlichen Genehmigung. Mit Erscheinen dieser Drucksache verlieren alle vorhergehenden Unterlagen ihre Gültigkeit.

