

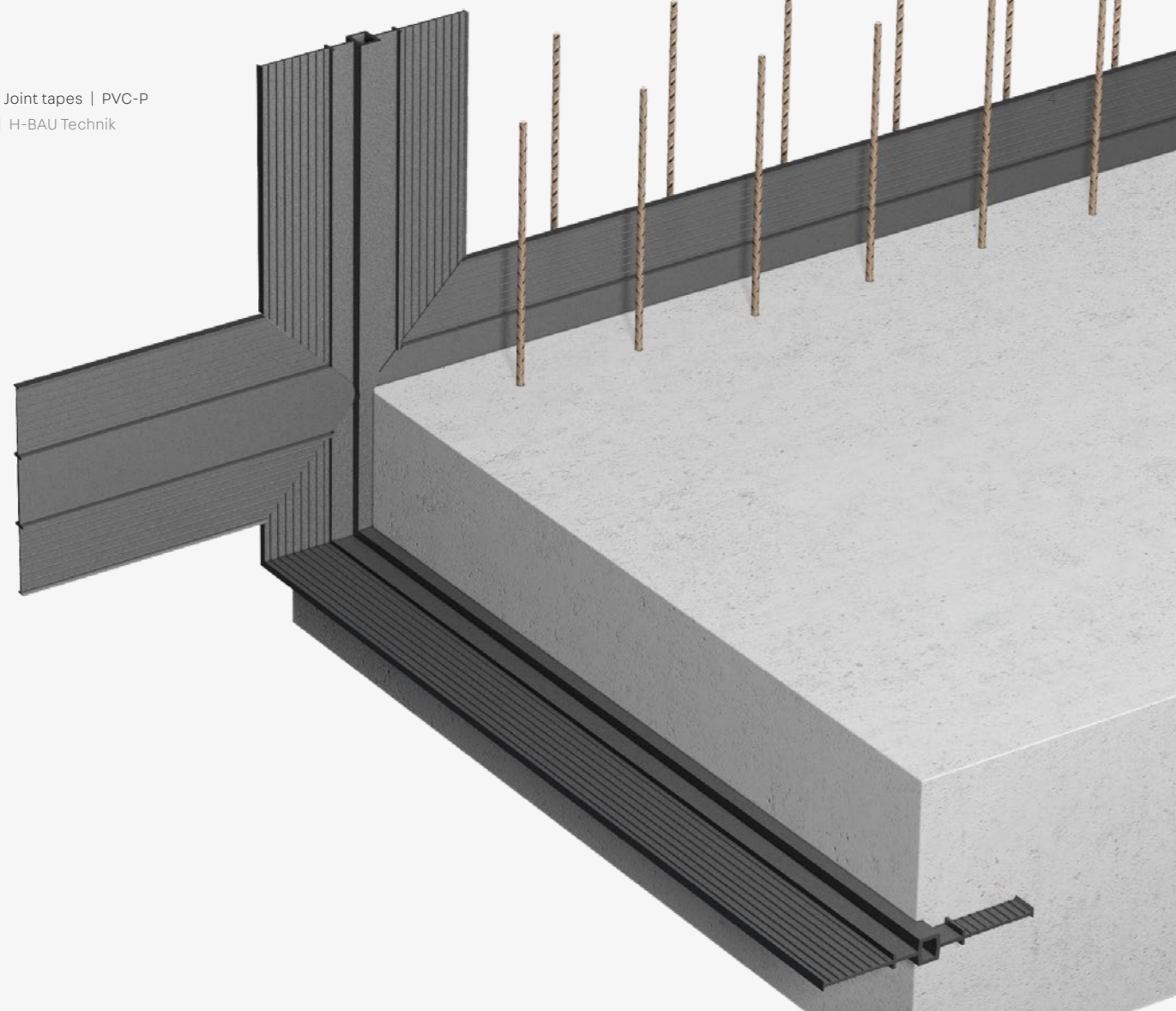
# KUNEX<sup>®</sup> Joint tapes

Technical information



# Table of contents

<b>KUNEX®</b>	<b>4</b>	<b>Joint tape selection</b>	<b>64</b>
PVC-P joint tapes	4	In line with DIN 18197	64
TPE joint tapes	17	In line with factory standard	69
ABS construction joints	28		
ABS expansion joints	32	<b>Service</b>	<b>72</b>
Clamp joint	36	Order sheets	72
ASF	42	Our synergy concept for you	74
Star tubes	46		
Puddle flanges	50		
Formed parts and accessories	54		



# KUNEX® Joint tapes

For sealing construction joints and expansion joints in concrete

## The product

KUNEX® interior or exterior thermoplastic joint tapes are used to seal construction and expansion joints in concrete. The tape profile is designed to extend the circulation path of standing water in the joint, thereby sealing the joint. Thermoplastic joint tapes can be welded together to ensure water-tightness.

## Application

KUNEX® high-quality joint tapes are used in all horizontal or vertical construction and expansion joints to resist water under pressure, water not under pressure and soil moisture:

- Foundation slab/wall or wall/ceiling construction joint
- Floor/floor, wall/wall or ceiling/ceiling construction and expansion joints
- Dummy joints in in-situ concrete or element wall constructions

KUNEX® joint tapes are suitable for use in structures in accordance with the German watertight concrete guideline.



## Benefits

- Joint tapes in line with DIN 18541
- Joint tapes in line with factory standard (with abP (German building code test certificate))
- Steel-reinforced joint tapes
- Joint tapes with eyelets
- Excellent welding properties

## KUNEX® PVC-P joint tapes

### Technical information

#### Materials

PVC-P raw material in the following quality classes:

- DIN 18541 compatible with bitumen (BV) or not compatible with bitumen (NB)
- Factory standard not compatible with bitumen (NB)

#### Compatibility with bitumen

Standard joint tapes correspond to quality class NB (not compatible with bitumen). The joint tapes are optionally available in the quality class BV (compatible with bitumen).

#### PVC-P in line with DIN 18541

Joint tapes made of soft PVC in the DIN quality class are ideal for use in structures subject to very high loads. These joint tapes comply with the high standards of DIN 18541. Continuous production inspections guarantee a consistently high level of quality. The special formula further improves the characteristic properties of these joint tapes. They are more elastic and have a higher elongation at break and tensile strength.

#### PVC-P in line with factory standard

Joint tapes made of soft PVC in the factory standard quality class are ideal for use in concrete structures subject to normal loads. The advantages of this material quality class are good workability, welding properties, resistance and optimised value for money.

### Material parameters

Properties	DIN 18541	Factory standard
Tensile strength in line with DIN EN ISO 527	≥ 10 N / mm <sup>2</sup>	≥ 9 N / mm <sup>2</sup>
Elongation at break in line with DIN EN ISO 527	≥ 350%	≥ 230%
Hardness according to Shore A DIN 53505	67 ± 5	67 ± 5
Reaction to fire in line with DIN EN 13501	Normal flammability (building material class E)	Normal flammability (building material class E)
Temperature resistance	-20 to +60°C	-20 to +60°C

### Transport and storage



#### Transportation

The joint tape must be loaded and unloaded carefully and secured during transportation. It must be examined for damage and completeness after delivery. At high outside temperatures, joint tapes must be transported without being subjected to any tension and then laid out at the installation site.



#### Storage in winter

In winter, joint tapes made from PVC-P must be stored in closed rooms and on a solid, dry base (transport pallet) where possible. We recommend storing the tapes in a heated room before use to make installation and processing easier.

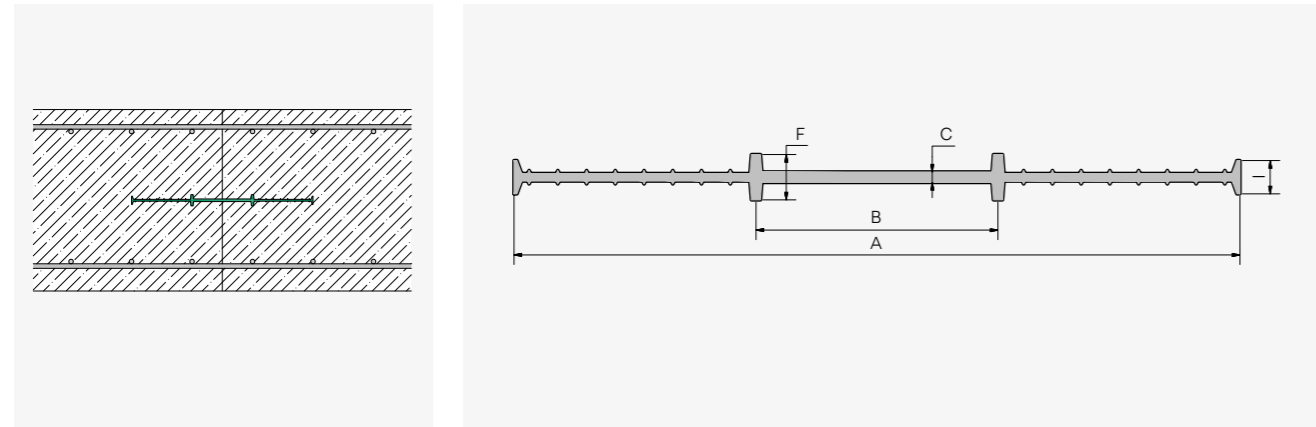


#### Storage in summer

It is important to store joint tapes in a cool and dry place in summer. Joint tapes must also be protected from direct sunlight (e.g. by covering them).

## KUNEX® construction joint tape, interior

### Technical data



Type DIN 18541	Type Factory standard	A mm	F mm	B mm	C mm	I mm
-	A100	100	8	47	2.0	8
-	A150	150	15	55	3.0	11
-	A190	190	15	70	3.0	11
A240 DIN	A240	240	15	80	3.5	11
A320 DIN	A320	320	15	100	4.5	11
A500 DIN	A500	500	20	150	6.0	11

Joint tapes up to 320 mm wide can be supplied with eyelets on one (o) or both sides (o2) on request. The eyelets are spaced 200 mm apart. The eyelets replace the joint tape clips that would otherwise be required to fix the joint tapes in place.

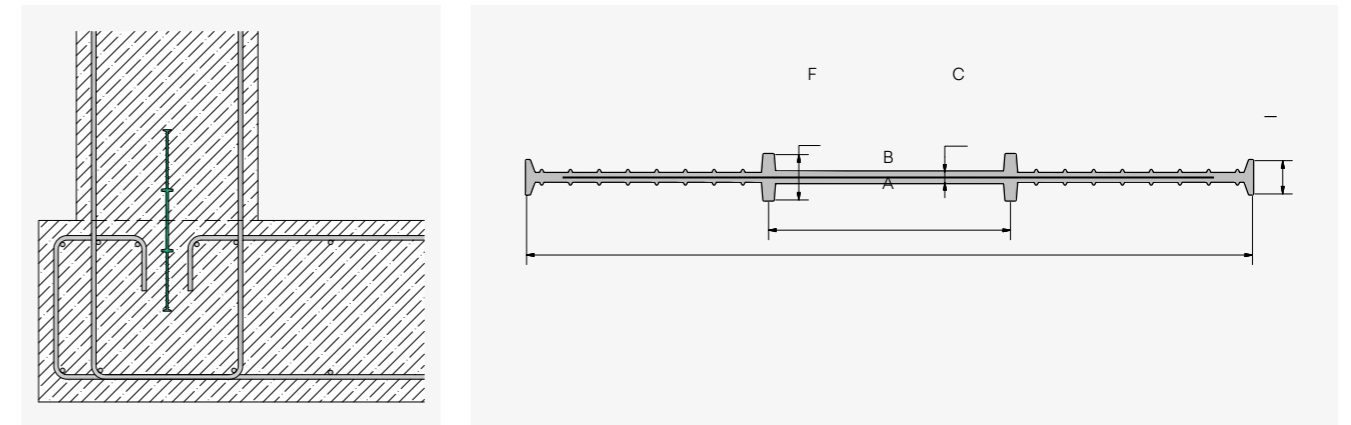


**Example order** KUNEX® construction joint tape, interior, A320 DIN

Type	A	Standard
A	320	DIN

## KUNEX® Construction joint tape, interior, steel-reinforced

### Technical data



Type Factory standard	A mm	F mm	B mm	C mm	I mm
A100S	100	15	40	3.5	11
A150S	150	15	58	3.5	11
A190S	190	15	78	4.0	11
A240S	240	15	85	4.0	11
A320S	320	15	100	4.5	11

Joint tapes up to 320 mm wide can be supplied with eyelets on one (o) or both sides (o2) on request. The eyelets are spaced 200 mm apart. The eyelets replace the joint tape clips that would otherwise be required to fix the joint tapes in place.

#### Bar spacing

100 mm (S)	=	10 × spring steel insert/m	(Type example: A190 S)
125 mm (SL)	=	8 × spring steel insert/m	(Type example: A190 SL)
150 mm (SL7)	=	7 × spring steel insert/m	(Type example: A190 SL7)
175 mm (SL6)	=	6 × spring steel insert/m	(Type example: A190 SL6)
200 mm (SL5)	=	5 × spring steel insert/m	(Type example: A190 SL5)

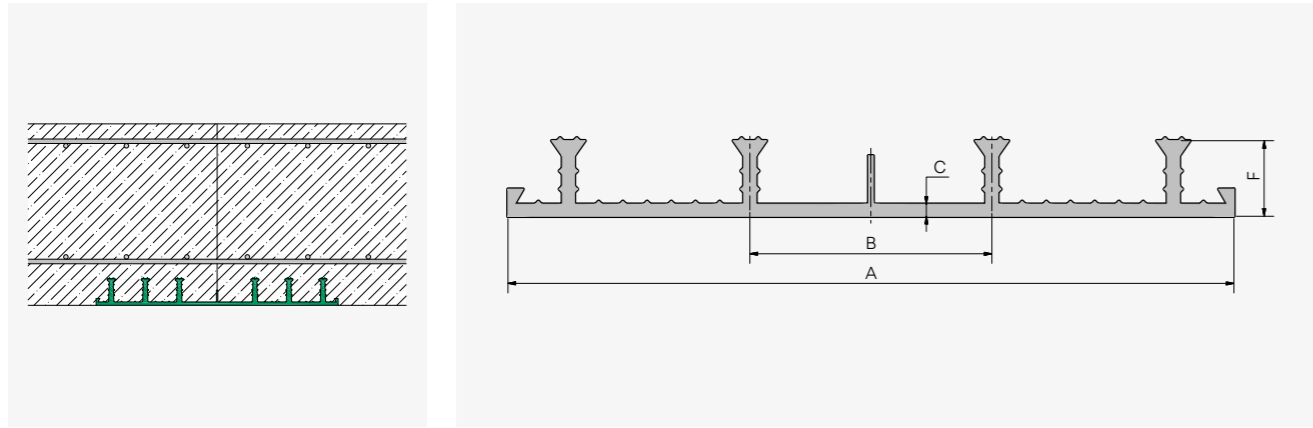


**Example order** KUNEX® construction joint tape steel-reinforced A320S


Type	A	Bar spacing
A	320	S

## KUNEX® Construction joint tape, exterior

### Technical data



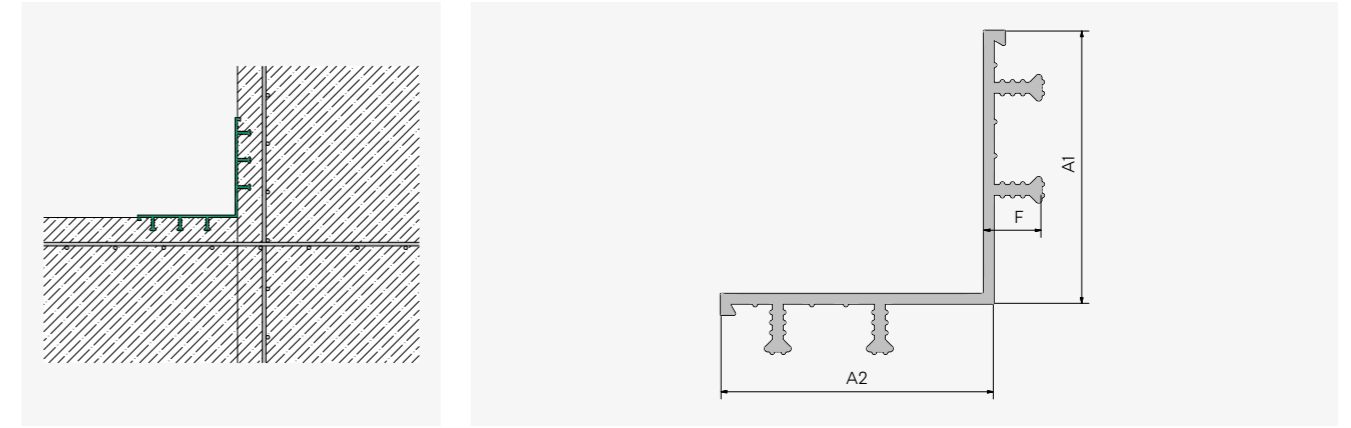
Type DIN 18541	Type Factory standard	A mm	F mm	B mm	C mm	No. of stop anchors
-	AA190/17	190	17	80	3.7	4
AA240/20 DIN	AA240/20	240	20	80	4.0	4
AA240/25 DIN	AA240/25	240	25	80	4.0	4
AA240/35 DIN	AA240/35	240	35	84	4.0	4
-	AA320/20	320	20	100	4.0	6
AA320/25 DIN	AA320/25	320	25	100	4.0	6
AA320/35 DIN	AA320/35	320	35	100	4.0	6
AA500/35 DIN	AA500/35	500	35	120	4.0	8

 Example order KUNEX® construction joint tape, exterior, AA320/25 DIN

Type	A	/	F	Standard
AA	320	/	25	DIN

## KUNEX® corner joint tape for construction joints

### Technical data



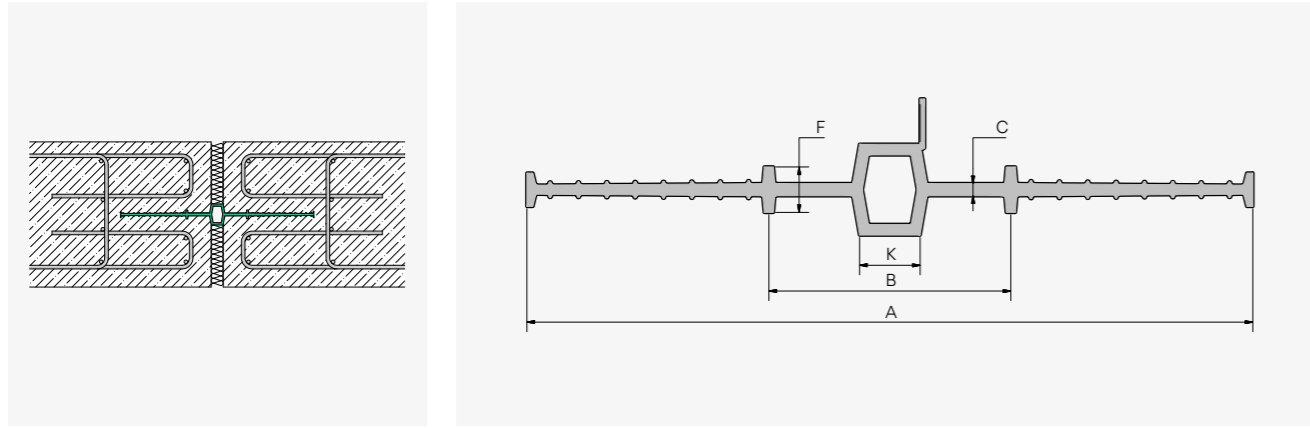
Type DIN 18541-2	Type Factory standard	A1 mm	A2 mm	F mm	No. of stop anchors
AA120/120 EA DIN	AA120/120 EA	120	120	25	4
AA165/165 EA DIN	AA165/165 EA	165	165	25	6

 Example order KUNEX® corner joint tape for construction joints AA120/120 EA

Type	A1	/	A2	Construction	Standard
AA	120	/	120	EA	-

## KUNEX® expansion joint tape, interior

### Technical data



Type DIN 18541	Type Factory standard	A mm	K mm	F mm	B mm	C mm
-	D150	150	10	15	55	3.5
-	D190	190	10	15	70	3.5
D240 DIN	D240	240	20	15	80	4.0
D320 DIN	D320	320	20	15	100	5.0
D400 DIN	D400	400	20	16	125	5.2
D500 DIN	D500	500	20	20	150	6.0

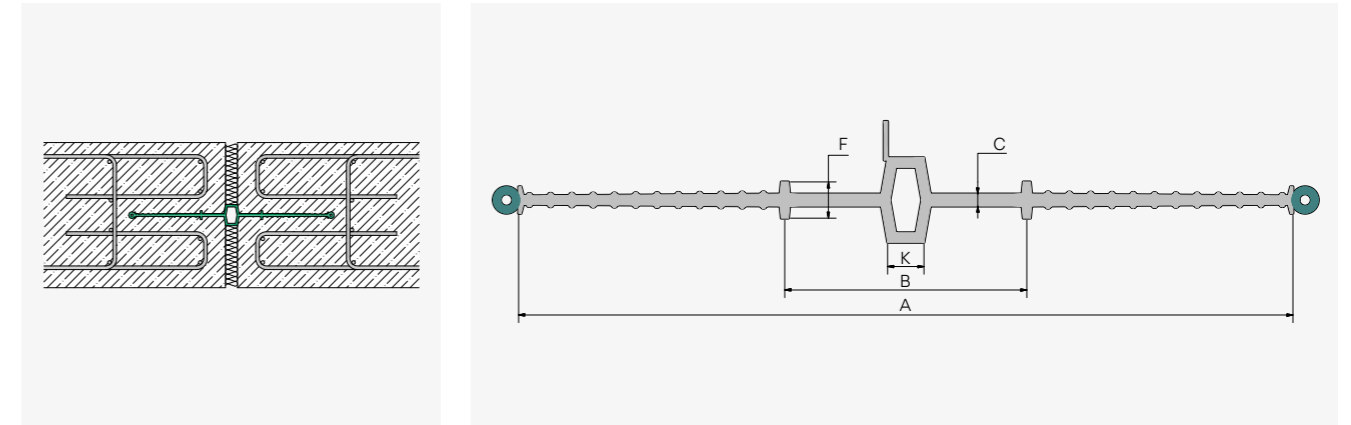
Joint tapes up to 320 mm wide can be supplied with eyelets on one (o) or both sides (o2) on request. The eyelets are spaced 200 mm apart. The eyelets replace the joint tape clips that would otherwise be required to fix the joint tapes in place.

#### Example order KUNEX® expansion joint tape, interior, D320 DIN

Type	A	Standard
D	320	DIN

## KUNEX® expansion joint tape, interior With injection hose

### Technical data



Type DIN 18541	Type Factory standard	A mm	K mm	F mm	B mm	C mm
D240 C11 DIN	D240 C11	240	20	15	80	4.0
D320 C11 DIN	D320 C11	320	20	15	100	5.0
D500 C11 DIN	D500 C11	500	20	20	150	6.0

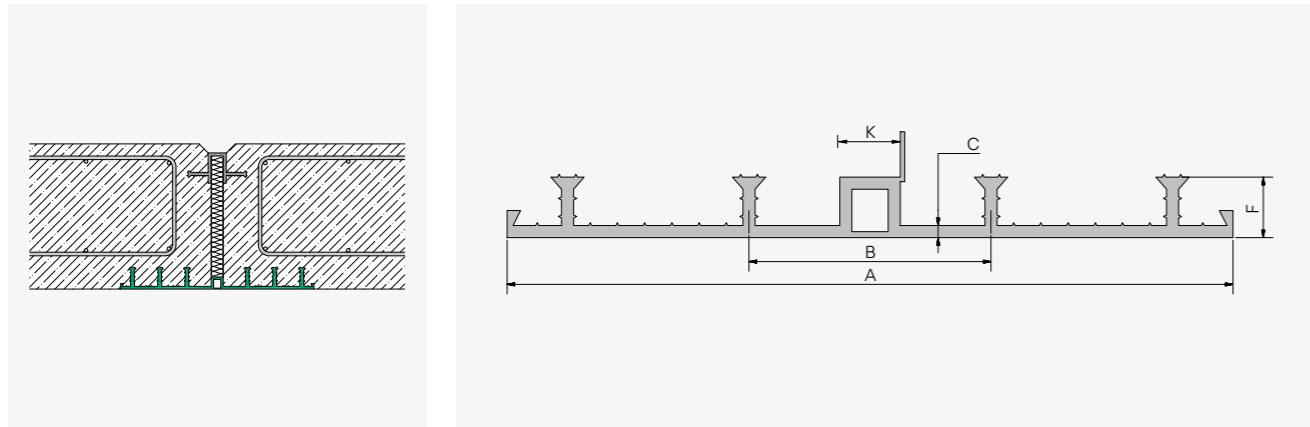
Injection hose dimensions: Outside 11 mm, inside 6 mm.

#### Example order KUNEX® expansion joint tape, interior, with injection hose D320 C11 DIN

Type	A	Injection hose	Standard
D	320	C11	DIN

## KUNEX® Expansion joint tape, exterior

### Technical data



Type DIN 18541	Type Factory standard	A mm	K mm	F mm	B mm	C mm	No. of stop anchors
-	DA190/17	190	20	17	80	3.7	4
DA240/20 DIN	DA240/20	240	20	20	80	4.0	4
DA240/35 DIN	DA240/35	240	20	35	84	4.0	4
-	DA320/20	320	20	20	100	4.0	6
DA320/25 DIN	DA320/25	320	20	25	100	4.0	6
DA320/35 DIN	DA320/35	320	20	35	100	4.0	6
DA500/35 DIN	DA500/35	500	20	35	120	4.0	8

Joint tapes up to 320 mm wide can be supplied with eyelets on one (o1) or both sides (o2) on request. The eyelets are spaced 200 mm apart. The eyelets replace the joint tape clips that would otherwise be required to fix the joint tapes in place.

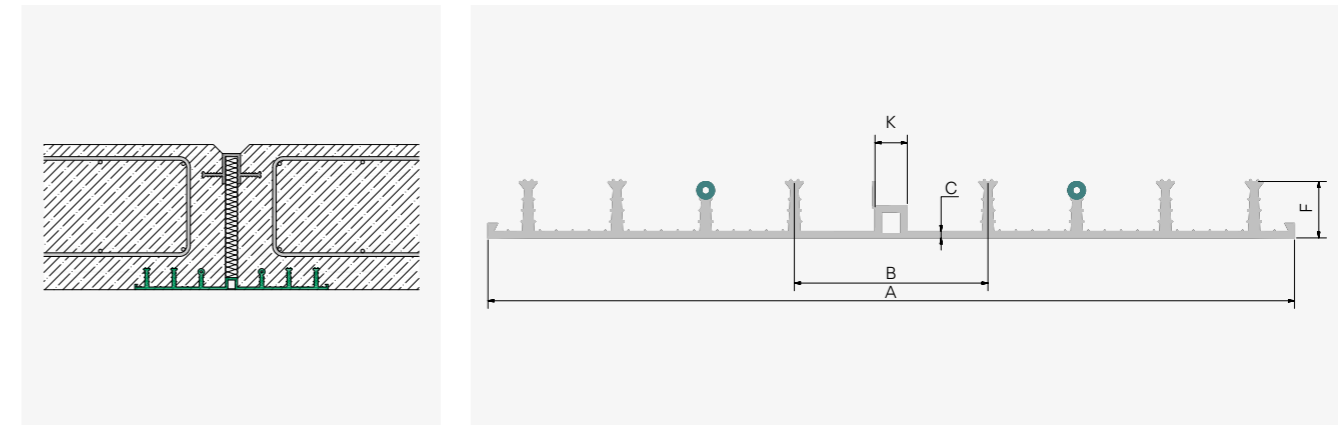


**Example order** KUNEX® expansion joint tape, exterior, DA320/25 DIN

Type	A	/	F	Standard
DA	320	/	25	DIN

## KUNEX® Expansion joint tape, exterior With injection hose

### Technical data



Type DIN 18541	Type Factory standard	A mm	K mm	F mm	B mm	C mm	No. of stop anchors
DA240/20 C11 DIN	DA240/20 C11	240	20	20	80	4.0	4
DA240/35 C11 DIN	DA240/35 C11	240	20	35	84	4.0	4
DA320/25 C11 DIN	DA320/25 C11	320	20	25	100	4.0	6
DA320/35 C11 DIN	DA320/35 C11	320	20	35	100	4.0	6
DA500/35 C11 DIN	DA500/35 C11	500	20	35	120	4.0	8

Injection hose dimensions: Outside 11 mm, inside 6 mm. The number and position of the injection hoses can be varied.

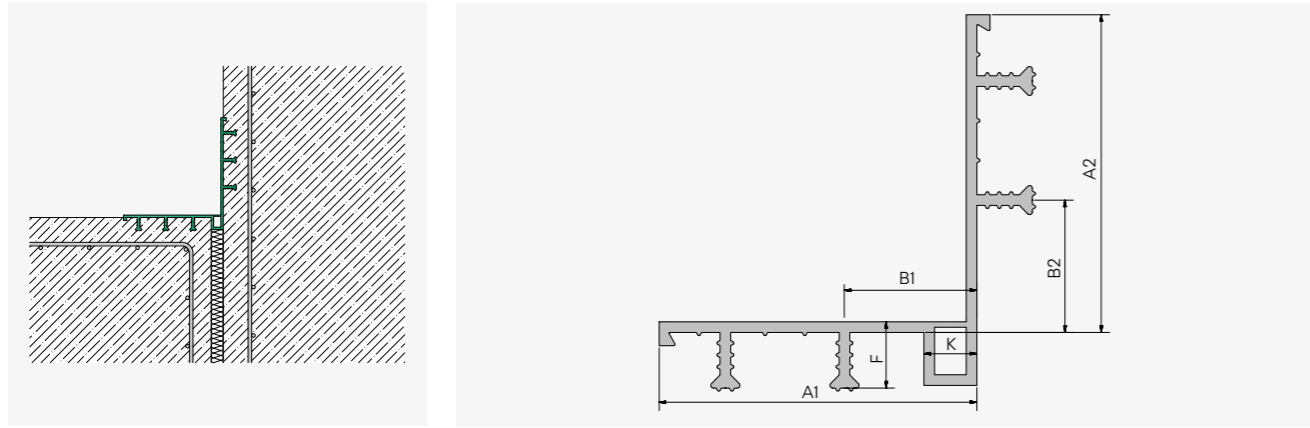


**Example order** KUNEX® expansion joint tape, exterior, with injection hose DA320/25 C11 DIN

Type	A	/	F	Injection hose	Standard
DA	320	/	25	C11	DIN

## KUNEX® corner joint tape for expansion joints

### Technical data



Type DIN 18541-2	Type Factory standard	A1 / A2 mm	K mm	F mm	B 1 / B2 mm	No. of stop anchors
DA120/120 EA DIN	DA 120/120 EA	120/120	20	25	50/50	4
DA165/165 EA DIN	DA 165/165 EA	165/165	20	25	50/50	6

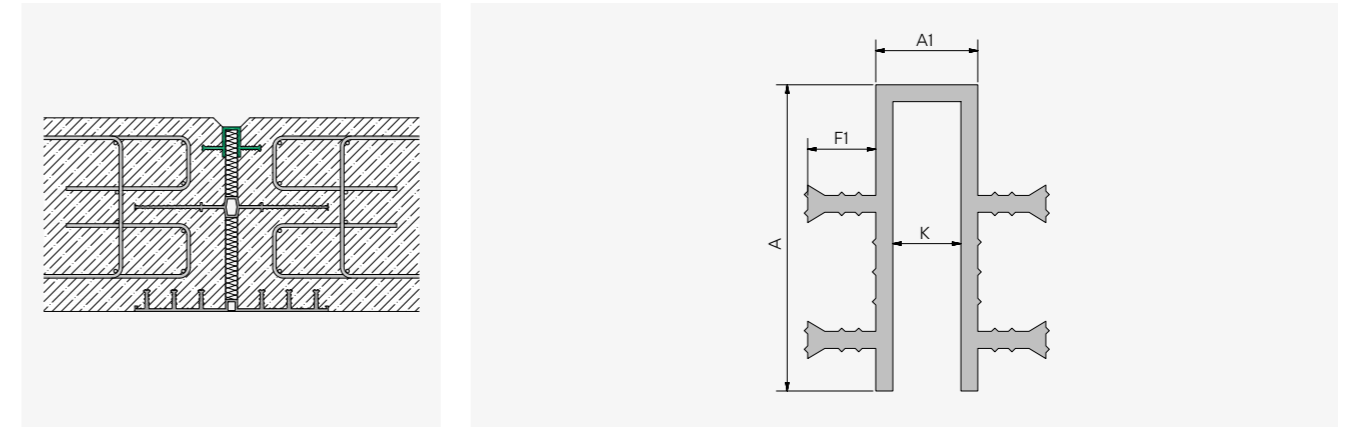


**Example order** KUNEX® corner joint tape for expansion joints DA 165/165 EA

Type	A1	/	A2	Construction	Standard
DA	165	/	165	EA	-

## KUNEX® joint end tape

### Technical data



Type DIN 18541	Type Factory standard	A mm	F1 mm	B mm	K mm	No. of stop anchors
FA50/20 DIN	FA50/20	50	20	30	20	2
FA50/30 DIN	FA50/30	50	30	30	20	2
FA70/40 DIN	FA70/40	70	40	30	20	2
FA90/20 DIN	FA90/20	90	20	30	20	4
FA95/30 DIN	FA95/30	95	30	30	20	4
FA130/20 DIN	FA130/20	130	20	30	20	6

KUNEX® joint end tape in grey PVC-P for closing the surfaces of movement joints.



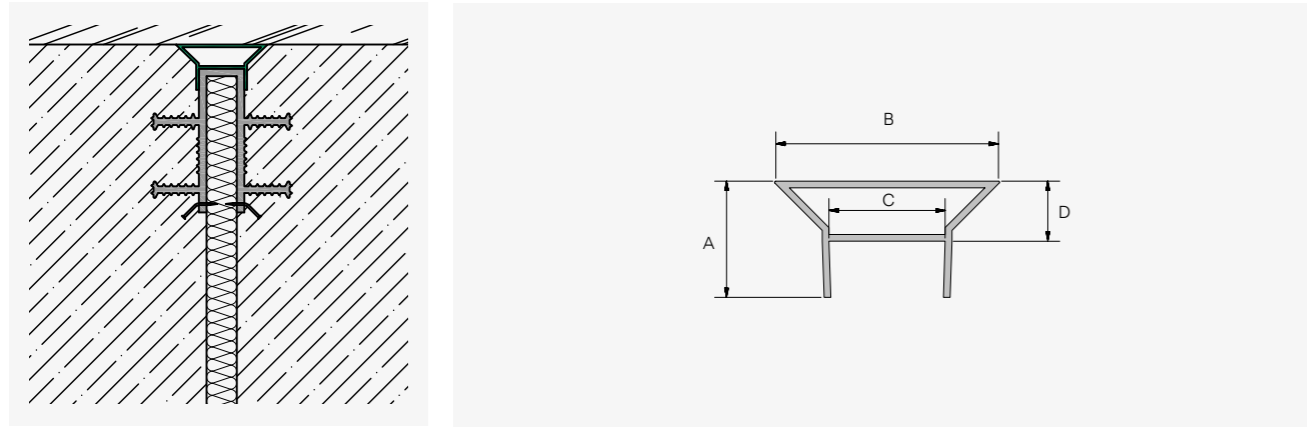
**Example order** KUNEX® joint end tape FA130/20 DIN

Type	A	/	F1	Standard
FA	130	/	20	DIN



## KUNEX® joint end strip

### Technical information



Type	A mm	B mm	C mm	D mm	Length m
FL30/60	30	60	30	15	2.50

KUNEX® joint end strip made from hard PVC is a suitable assembly aid for joint end tapes.

**Example order** KUNEX® joint end strip FL30/60

Type	A	/	B
FL	30	/	60

## KUNEX® TPE joint tapes

### Technical information

#### Materials

TPE raw material in the following quality class:

- Factory standard compatible with bitumen (BV)

#### Compatibility with bitumen

Joint tapes correspond as standard to the quality class BV (compatible with bitumen)

#### TPE in line with factory standard

Joint tapes made of thermoplastic elastomer (TPE) combine the simple processing method of a plastic and the positive qualities of an elastomer (such as durability, flexibility at low temperatures, elongation at break and tensile strength). TPE joint tapes are PVC-free and completely recyclable. Their usability is governed by a German building code test certificate (abP), indicated by the **Ü compliance mark** and monitored accordingly.



#### Benefits

- Joint tapes in line with factory standard (with German building code test certificate (abP))
- Steel-reinforced joint tapes
- Joint tapes with eyelets
- Better properties than PVC
- PVC- and halogen- free
- Completely recyclable
- Excellent resistance (e.g. liquid manure, slurry, silage effluent) with inspection report

Stimmt diese Schreibweise?

### Material parameters

Properties	Factory standard
Tensile strength in line with DIN EN ISO 527	≥ 11 N / mm <sup>2</sup>
Elongation at break in line with DIN EN ISO 527	≥ 500%
Hardness according to Shore A DIN 53505	74 ± 5
Reaction to fire in line with DIN EN 13501	Normal flammability (building material class E)
Temperature resistance	-40 to +80°C

\*NEW with German building code test certificate (abP)

### Transport and storage



#### Transportation

The joint tape must be loaded and unloaded carefully and secured during transportation. It must be examined for damage and completeness after delivery. At high outside temperatures, joint tapes must be transported without being subjected to any tension and then laid out at the installation site.



#### Storage in winter

In winter, joint tapes made from PVC-P must be stored in closed rooms and on a solid, dry base (transport pallet) where possible. We recommend storing the tapes in a heated room before use to make installation and processing easier.

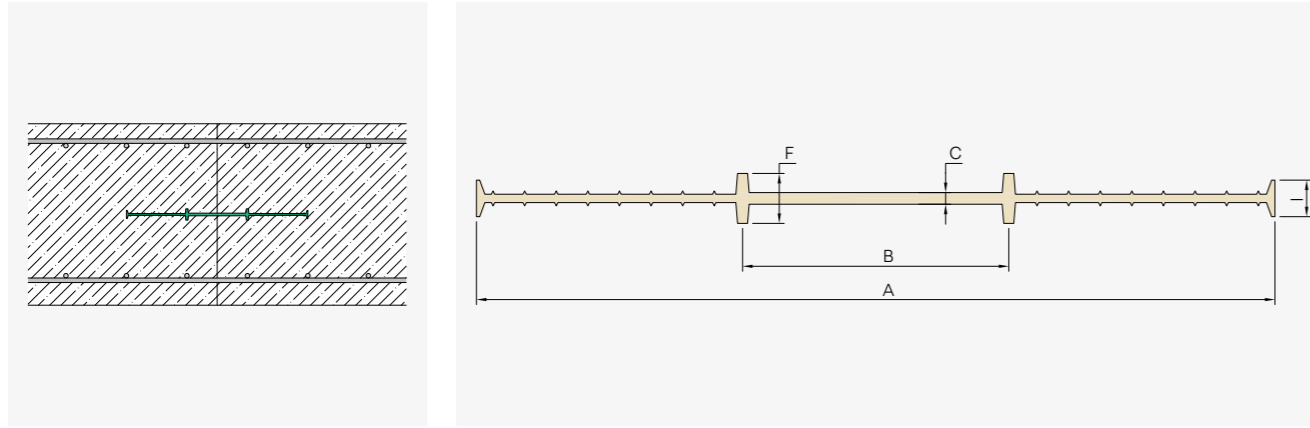


#### Storage in summer

It is important to store joint tapes in a cool and dry place in summer. Joint tapes must also be protected from direct sunlight (e.g. by covering them).

## KUNEX® TPE construction joint tape, interior

### Technical data



Type Factory standard	A mm	F mm	B mm	C mm	I mm
A240 TPE	240	14	80	3.5	11
A320 TPE	320	14	100	4.5	11
A500 TPE	500	20	150	6.0	11

Joint tapes up to 320 mm wide can be supplied with eyelets on one (o) or both sides (o2) on request. The eyelets are spaced 200 mm apart. The eyelets replace the joint tape clips that would otherwise be required to fix the joint tapes in place.

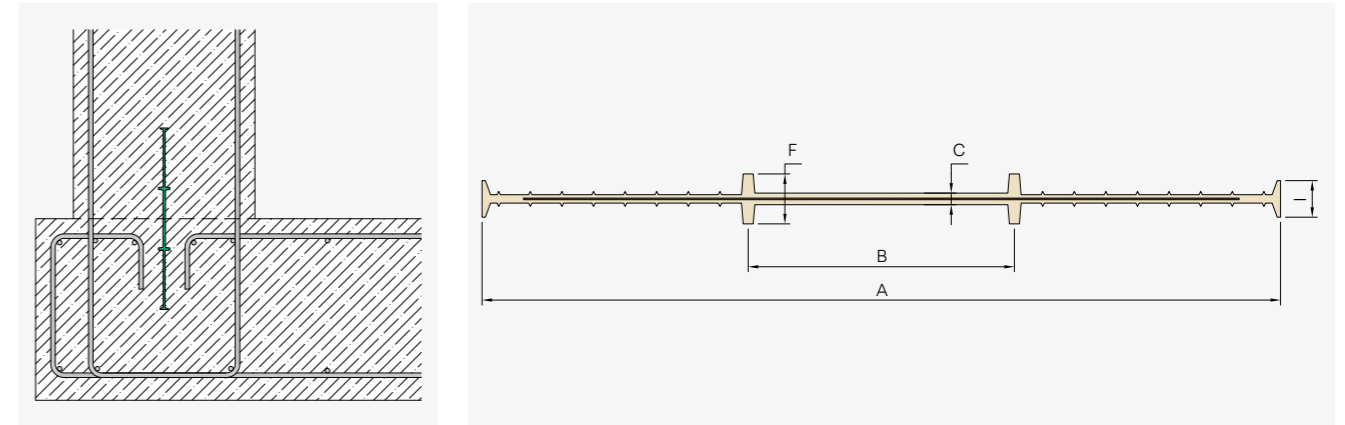


**Example order** KUNEX® Construction joint tape, interior, A320 TPE

Type	A	Construction
A	320	TPE

## KUNEX® TPE construction joint tape, interior, steel-reinforced

### Technical data



Type Factory standard	A mm	F mm	B mm	C mm	I mm
A240SL7 TPE	240	15	85	4.0	11
A320SL7 TPE	320	15	100	4.0	11

Joint tapes up to 320 mm wide can be supplied with eyelets on one (o) or both sides (o2) on request. The eyelets are spaced 200 mm apart. The eyelets replace the joint tape clips that would otherwise be required to fix the joint tapes in place.

#### Bar spacing

150 mm (SL7) = 7 × spring steel insert/m (Type example: A240 SL7)

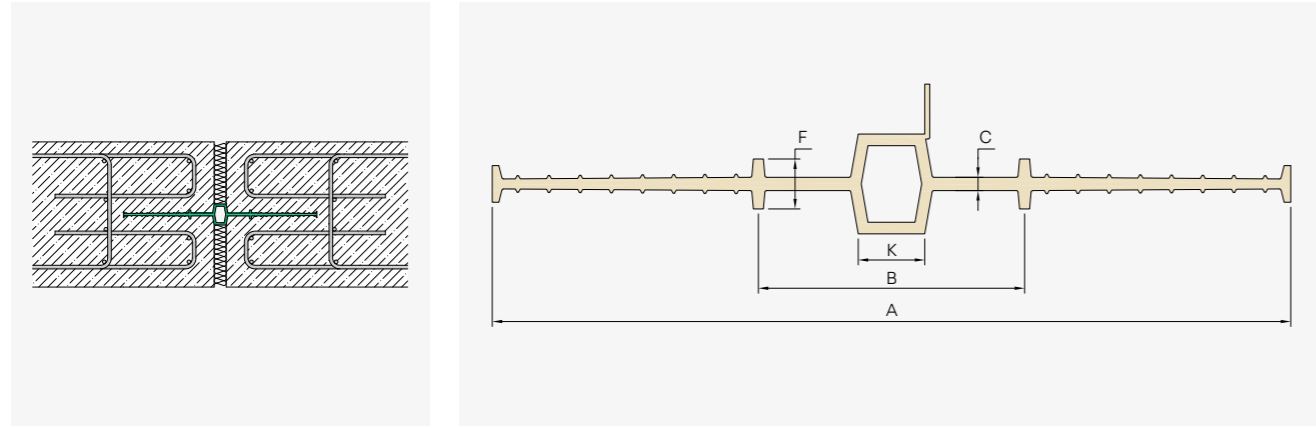


**Example order** KUNEX® Construction joint tape, interior, steel-reinforced A320SL7 TPE

Type	A	Bar spacing	Construction
A	320	SL7	TPE

## KUNEX® TPE expansion joint tape, interior

### Technical data



Type	A	K	F	B	C
Factory standard	mm	mm	mm	mm	mm
D240 TPE	240	20	15	80	4.0
D320 TPE	320	20	15	100	5.0
D500 TPE	500	20	20	150	6.0

Joint tapes up to 320 mm wide can be supplied with eyelets on one (o) or both sides (o2) on request. The eyelets are spaced 200 mm apart. The eyelets replace the joint tape clips that would otherwise be required to fix the joint tapes in place.

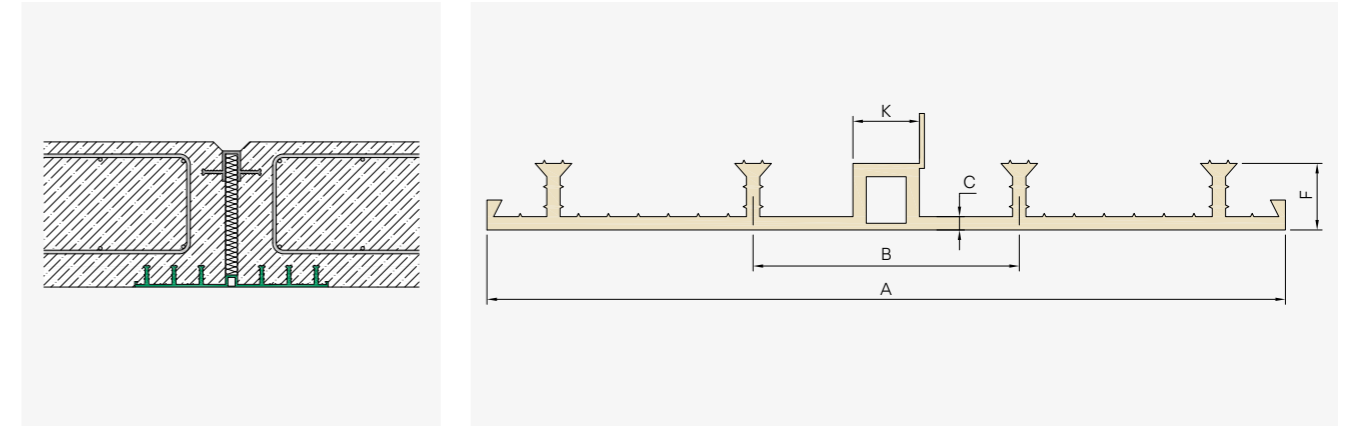


**Example order** KUNEX® expansion joint tape, interior, A320 TPE

Type	A	Construction
D	320	TPE

## KUNEX® TPE expansion joint tape, exterior

### Technical data



Type	A	K	F	B	C	No. of stop anchors
Factory standard	mm	mm	mm	mm	mm	
DA240/20 TPE	240	20	20	80	4.0	4
DA240/35 TPE	240	20	35	84	4.0	4
DA320/25 TPE	320	20	25	100	4.0	6
DA320/35 TPE	320	20	35	100	4.0	6
DA500/35 TPE	500	20	35	120	4.0	8

Joint tapes up to 320 mm wide can be supplied with eyelets on one (o) or both sides (o2) on request. The eyelets are spaced 200 mm apart. The eyelets replace the joint tape clips that would otherwise be required to fix the joint tapes in place.

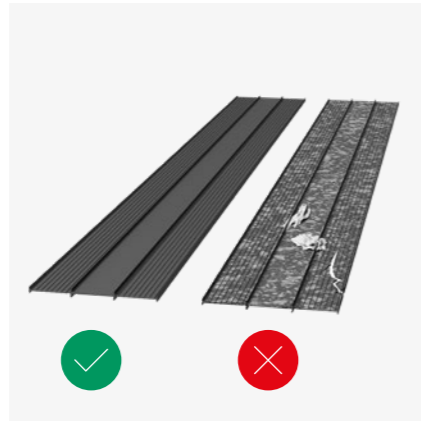


**Example order** KUNEX® expansion joint tape, exterior, DA320/25 TPE

Type	A	/	F	Construction
DA	320	/	25	TPE

# Installation instructions

## Installation and processing



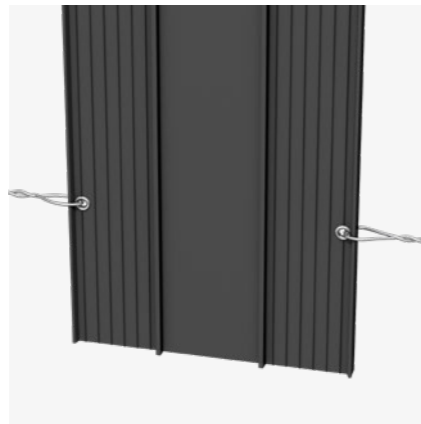
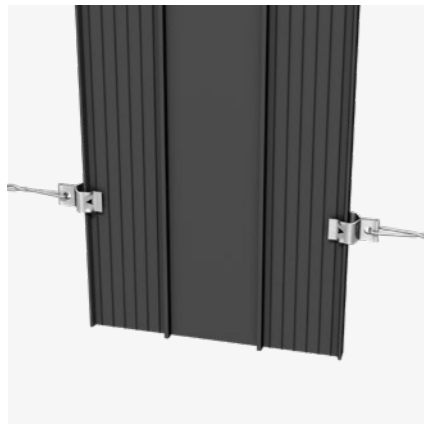
### Before installation

Check the joint tapes

- for damage, contamination and deformation.
- Install without folds or distortions.
- Only process at material temperatures  $> 0^{\circ}\text{C}$ .
- Ensure that the concrete is free of ice when casting.

### Attachment

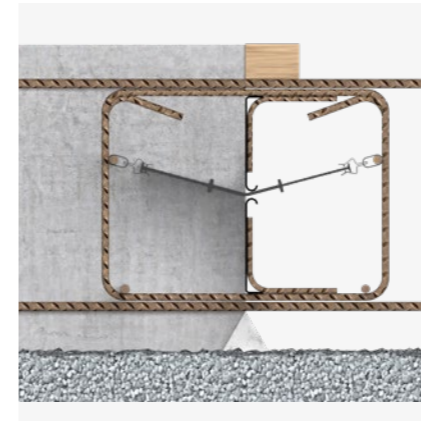
Fixed in place with eyes or clips. The maximum spacing must not exceed 250 mm.



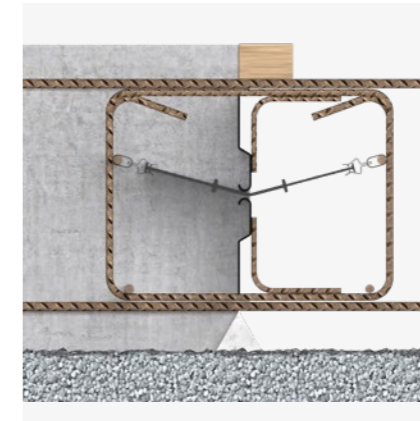
# Installation instructions

## Positional stability

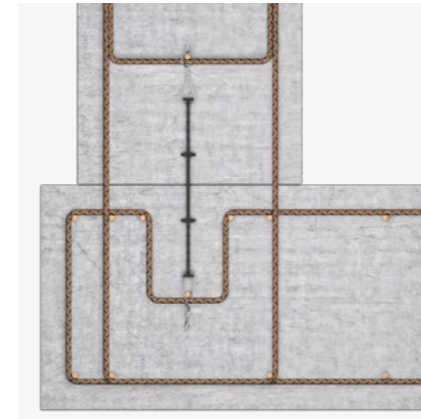
H2 hier entfernen?



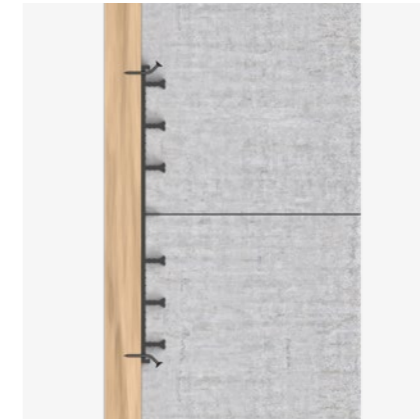
Floor/floor construction joint:  
Shuttering with ABS R for rough joints.



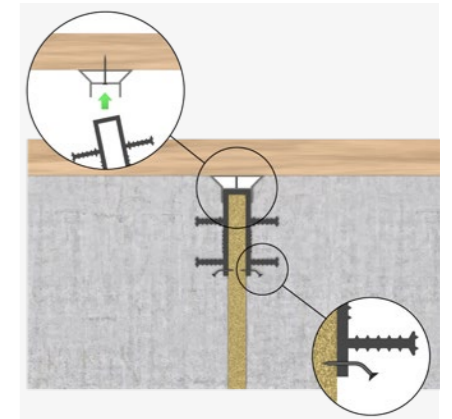
Floor/floor construction joint: Shuttering with ABS V for interlocking joints.



Floor/wall construction joint:  
Fixed to reinforcement.



Wall/wall construction joint:  
Fixed to the formwork.



Wall/wall expansion joint: Fixed to the joint end tape using the joint end strip on the formwork.

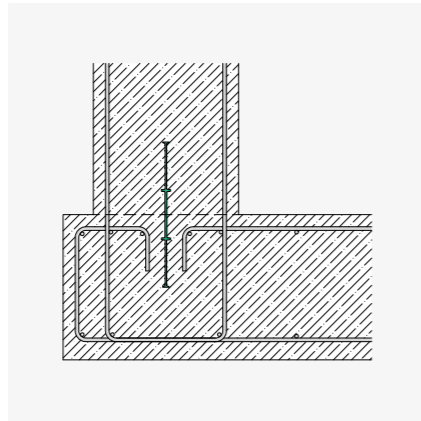
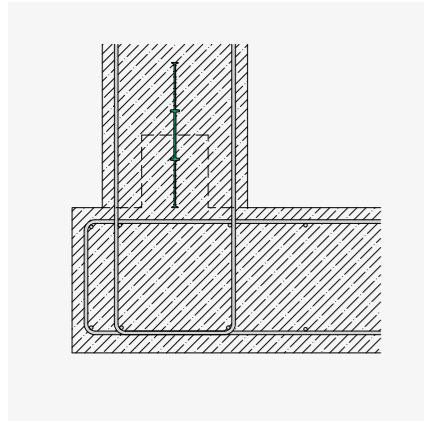


Bend horizontal joints into a V shape at an angle of  $-15^{\circ}$ . Only use nails in the outer edge area of the joint tapes.

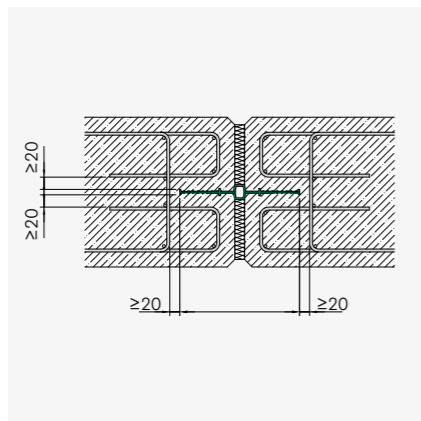
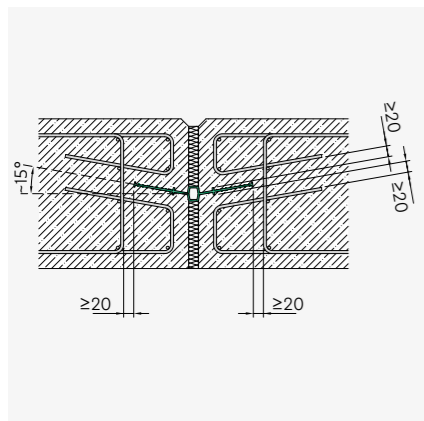
# Installation instructions

H2 hier entfernen?

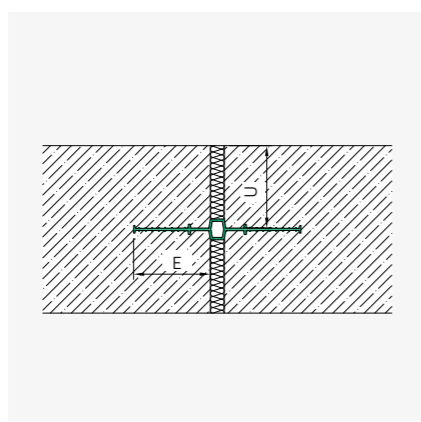
## Positional stability



**Floor slab/wall connection**  
 Version with concrete upstand or without upstand for corresponding reinforcement layout.



**Distance to reinforcement**  
 The distance between the joint tape and the reinforcement must be at least 20 mm.



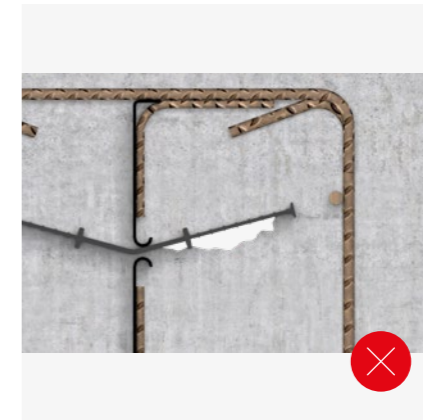
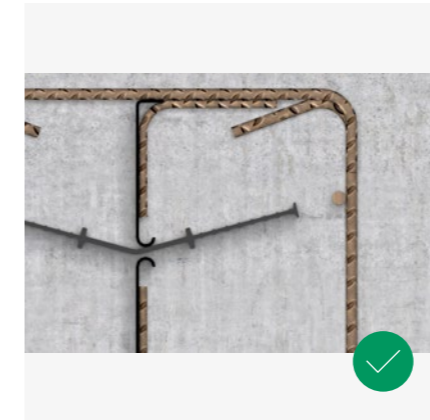
**Concrete cover and anchoring depth**  
 Interior joint tapes should roughly correspond to the component thickness and be positioned centrally in the component. The anchoring depth (E) must not exceed the cover (U).



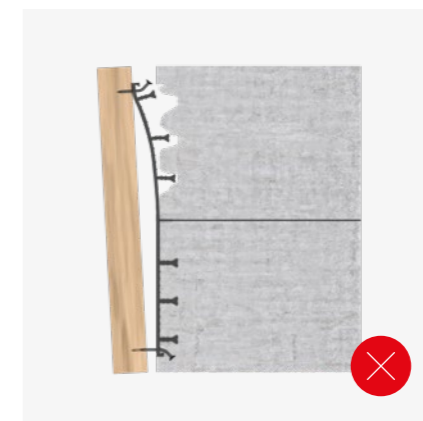
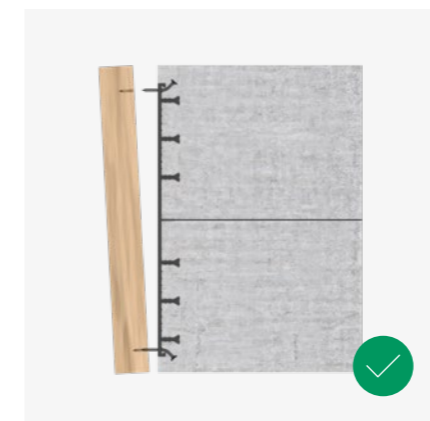
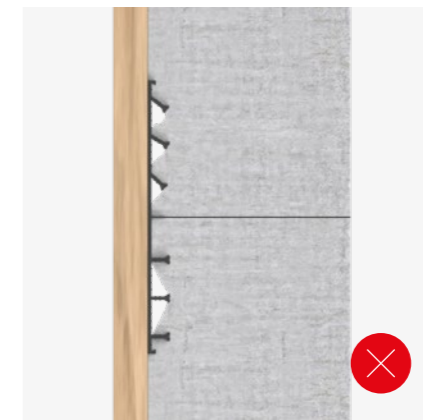
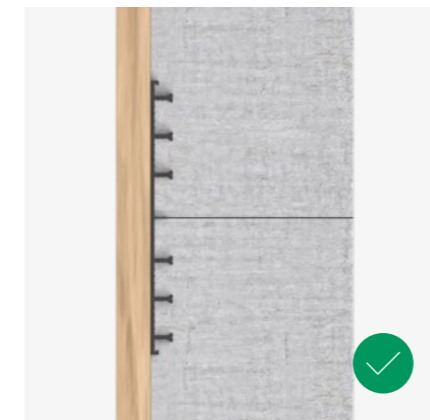
Minimum component thicknesses in accordance with the German watertight concrete guideline must be observed.

# Installation instructions

H2 hier entfernen?



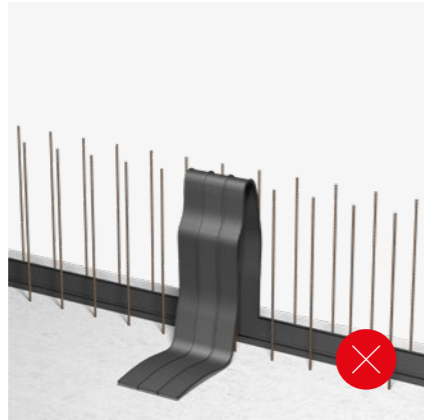
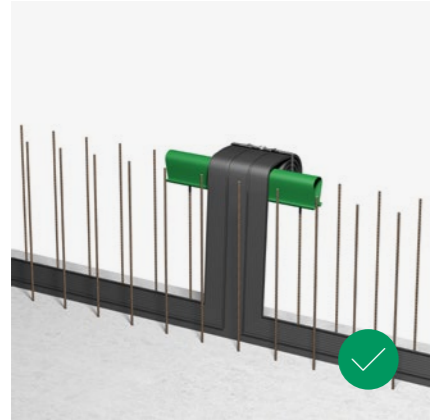
Casting



Removal

# Installation instructions

H2 hier entfernen?



## Care



**Inspection**  
After removing the shuttering, inspect the visible areas of the joint tapes for damage. Rectify any defects immediately.

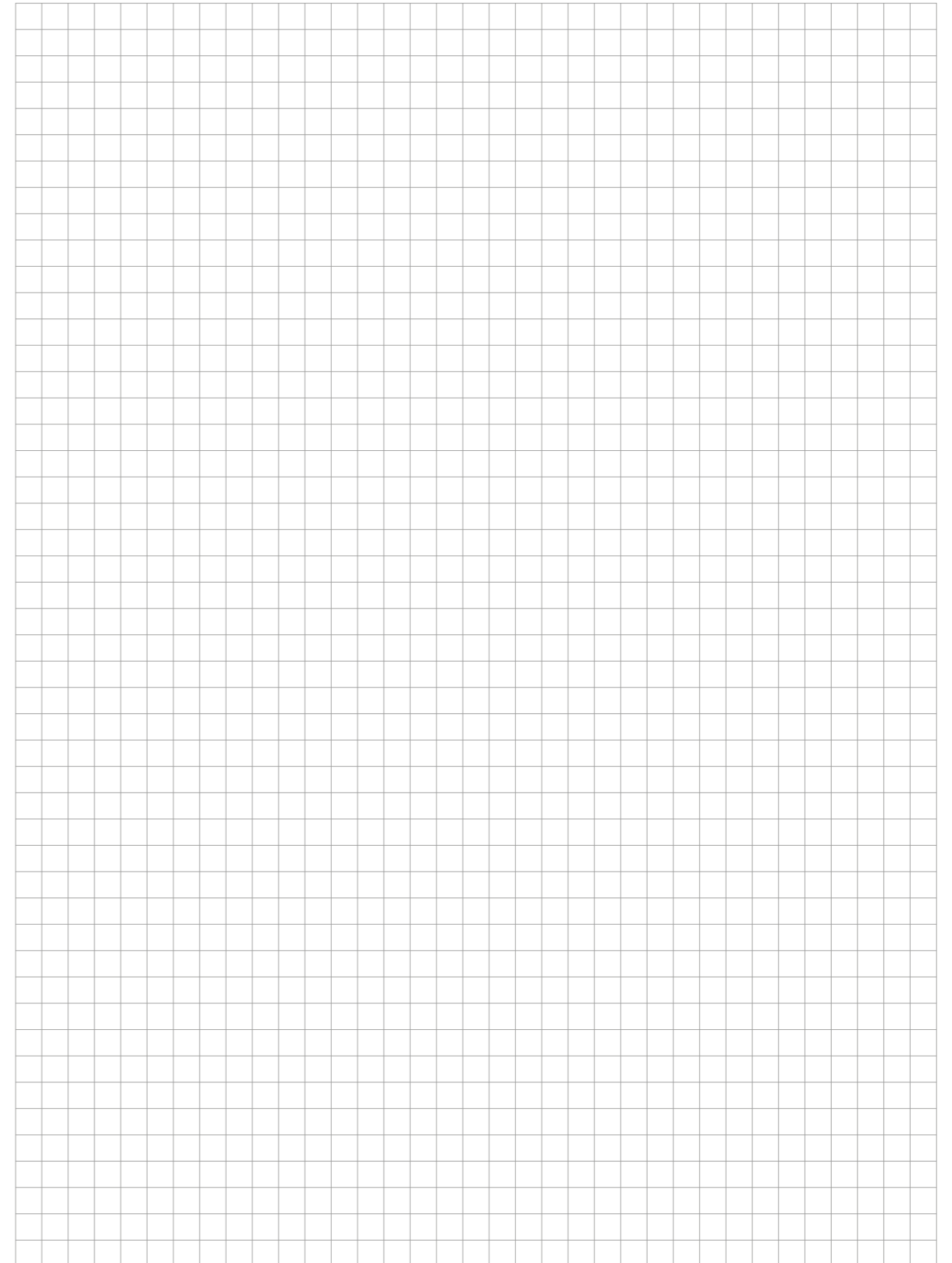


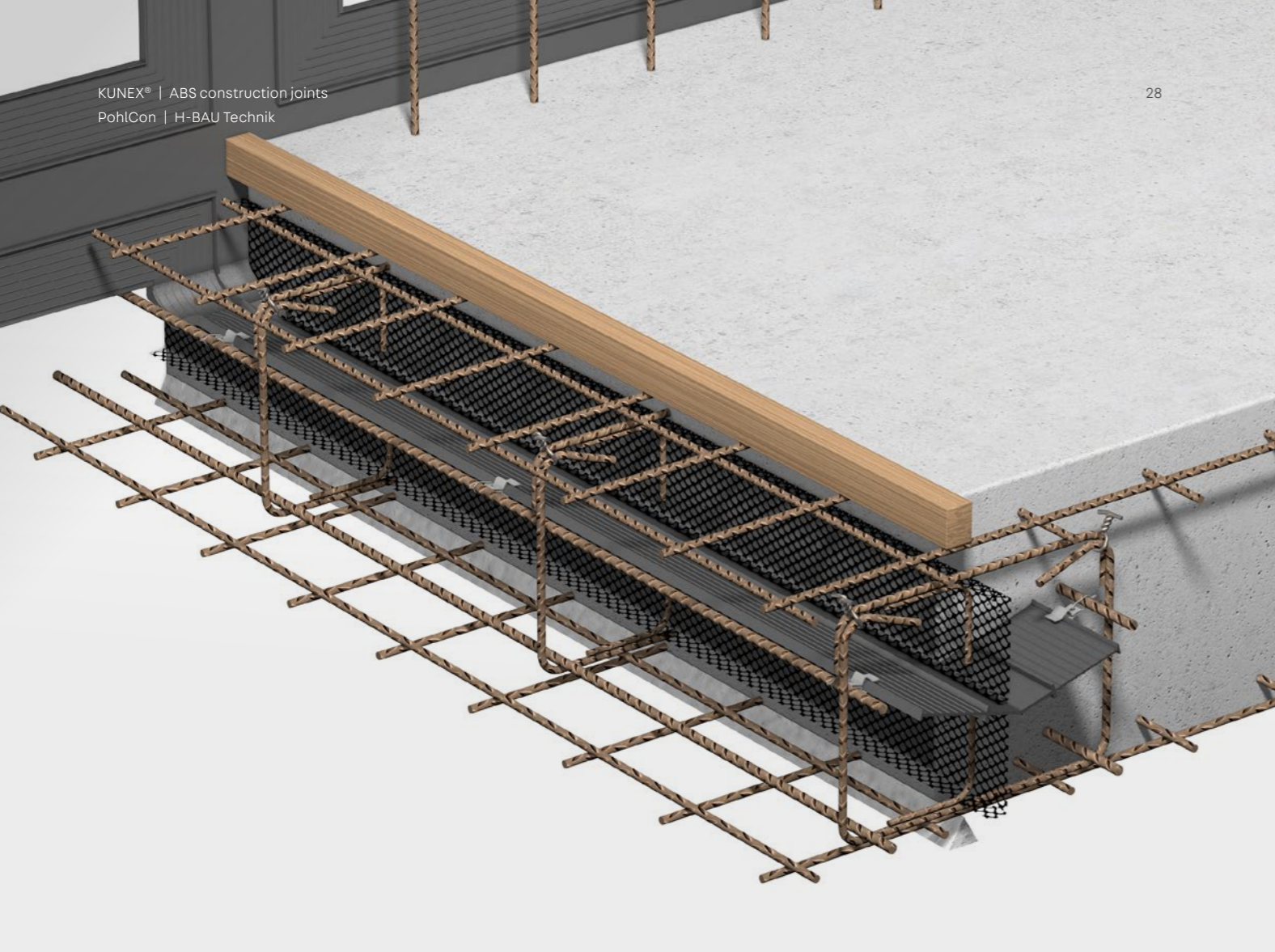
**Documentation**  
The handling, processing and installation of the joint tapes on the construction site must be monitored and documented in line with the specific quality assurance procedures applicable to the property. Our CAD drawings of the joint tape systems and the test report for construction site joints in DIN 18197 can be used as a basis for this documentation.



Our Application Technology department will be happy to assist you with further solutions.

T +49 7742 9215-300  
technik@h-bau.de





# KUNEX® ABS construction joints

Shuttering element for interior construction joint tapes

## The product

The KUNEX® shuttering element is a combination of construction joint tape and profiled formwork. The joint is reliably sealed by the joint tape. The shuttering is created using dimensionally stable expanded metal elements reinforced using a special stirrup construction. The ABS element can be supplied for rough or interlocking joints (ABS A-R, ABS A-V).

## Area of application

KUNEX® ABS is a shuttering element for construction joints in reinforced concrete components that are exposed to water (floors, walls and ceilings), particularly for applications that require bond joints with a high shear strength.



## Benefits

- High shear strength in the bond joint
- For continuous reinforcement
- Two-part cage for quick joint tape installation
- Distance to reinforcement in line with DIN

## Technical information



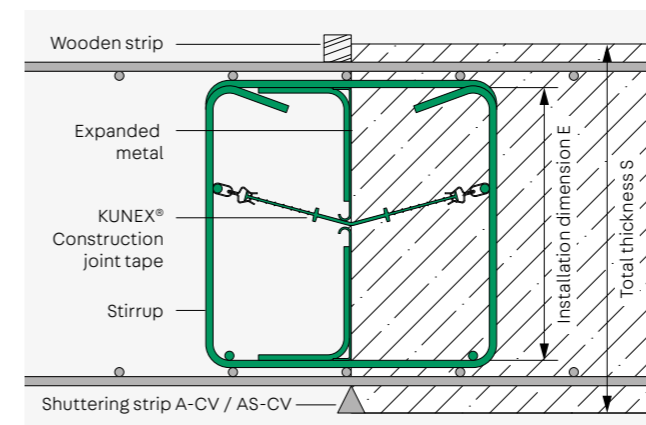
### Basic information

- Two-part shuttering element for watertight construction joints in reinforced concrete construction
- Top and bottom parts consisting of expanded metal and steel stirrups
- Standard length of shuttering element: L = 2.4 m
- Special lengths and special forms available on request
- Installation dimension E = 150 - 500 mm

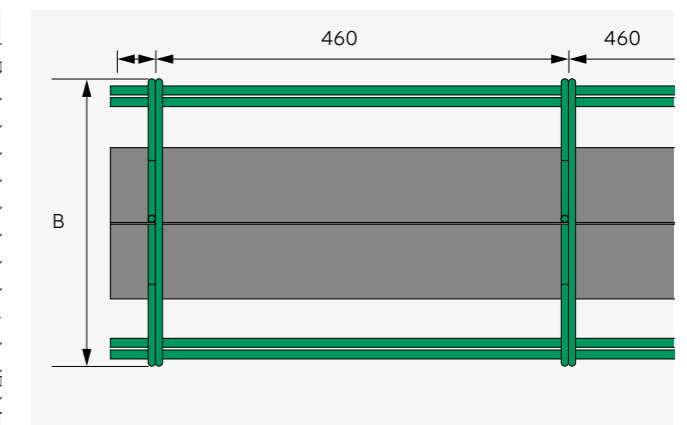
### Accessories

- KUNEX® Construction joint tape A240 or A320
- Shuttering strip A-CV/AS-CV for reducing loss of fine particles, see page 34 and 35

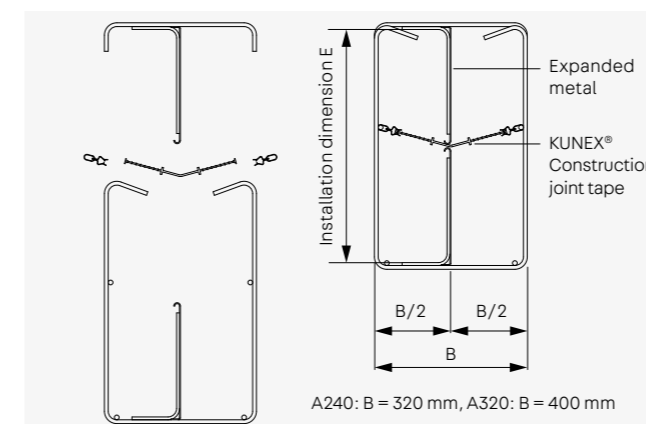
### System cross section



### Top view

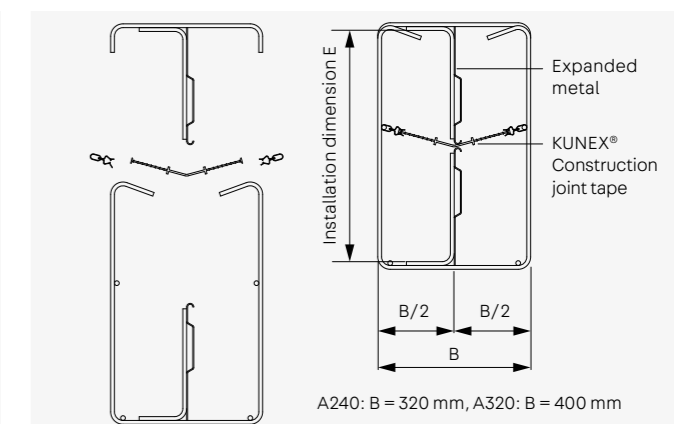


## Versions



### KUNEX® ABS A-R

Rough joint in line with EC2 | Installation dimension: 150 - 500 mm

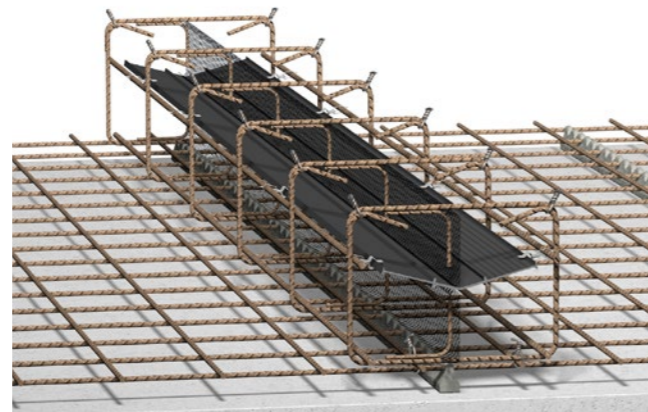
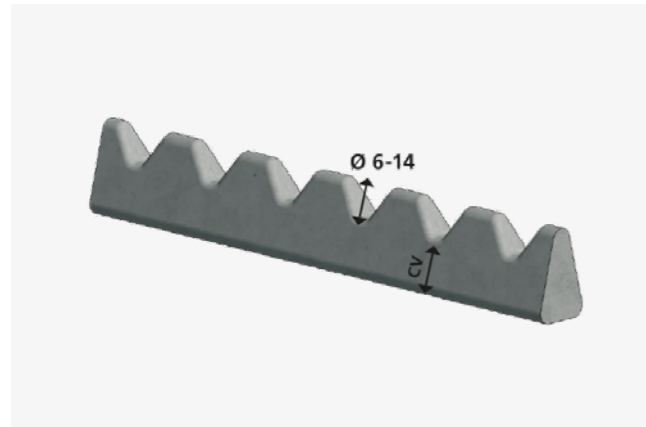


### KUNEX® ABS A-V

Interlocking joint in line with EC2 | Installation dimension: 150 - 500 mm

## Accessories

### A-CV fibre concrete shuttering strip



#### The product

This spacer is made from fibre-reinforced concrete with a 50 mm reinforcement grid. It is an ideal complement to the KUNEX® ABS shuttering element with either a rough or interlocking design. The A-CV shuttering strip reliably reduces the leakage of concrete and the associated loss of fine particles to a minimum.



**It can accommodate bar diameters from 6 to 14 mm and is available for concrete coverages from 20 to 60 mm thick.**

#### Area of application

The A-CV shuttering strip also serves as a gauge when installing steel bars, eliminating the need to measure and mark a grid on the subbase. The A-CV shuttering strip is used for a range of concrete covering thicknesses when laying longitudinal and transverse reinforcements.

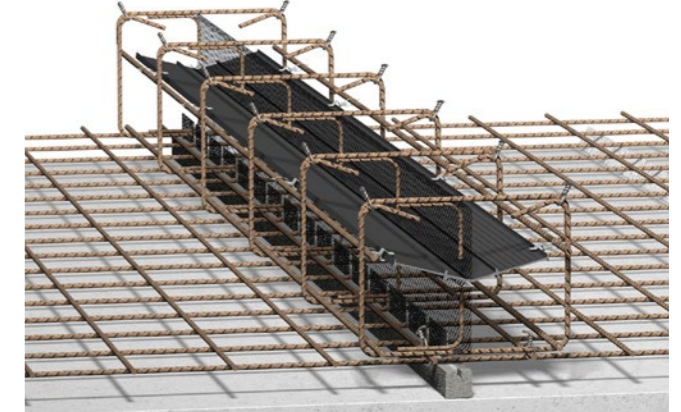
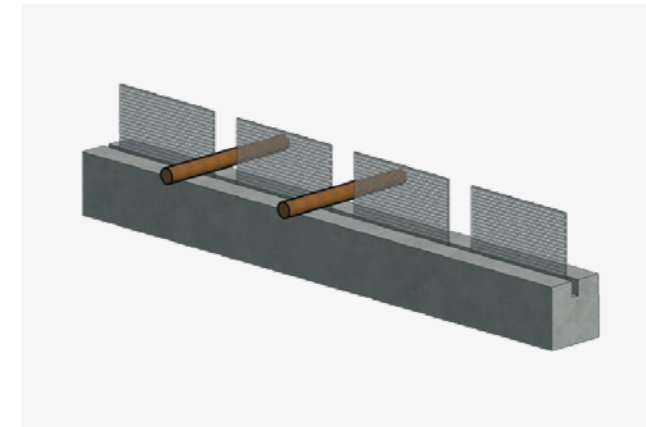


#### Benefits

- No seepage from construction joints
- Saves time
- Improves quality
- Universal use
- Simplifies on-site monitoring and rebar inspection

Type	Concrete cover mm	Height/length mm
A-CV 20	20	40/1000
A-CV 25	25	45/1000
A-CV 30	30	50/1000
A-CV 35	35	55/1000
A-CV 40	40	60/1000
A-CV 45	45	65/1000
A-CV 50	50	70/1000
A-CV 60	60	80/1000

### AS-CV fibre concrete shuttering strip



#### The product

Spacers ensure that the reinforcements are covered with concrete and shuttering elements provide a simple and economical way of making construction joints watertight. However, these sections of the construction joint shuttering are not normally closed. This allows concrete to leak out, something which is not conducive to achieving a geometrically perfect joint. These sections of the construction joint shuttering are not normally closed. This allows concrete to leak out, something which is not conducive to achieving a geometrically perfect joint. A huge number of fine particles are washed out. This not only impacts the watertightness of the concrete in the barrier layer, but also affects the quality of the next casting section. The fibre concrete shuttering strip prevents fine particles from leaking out and also ensures a homogeneous watertight concrete quality in the area of the joint.



**It can accommodate rebar of any diameter.**

This makes it the perfect installation aid for steel-bar reinforcements.



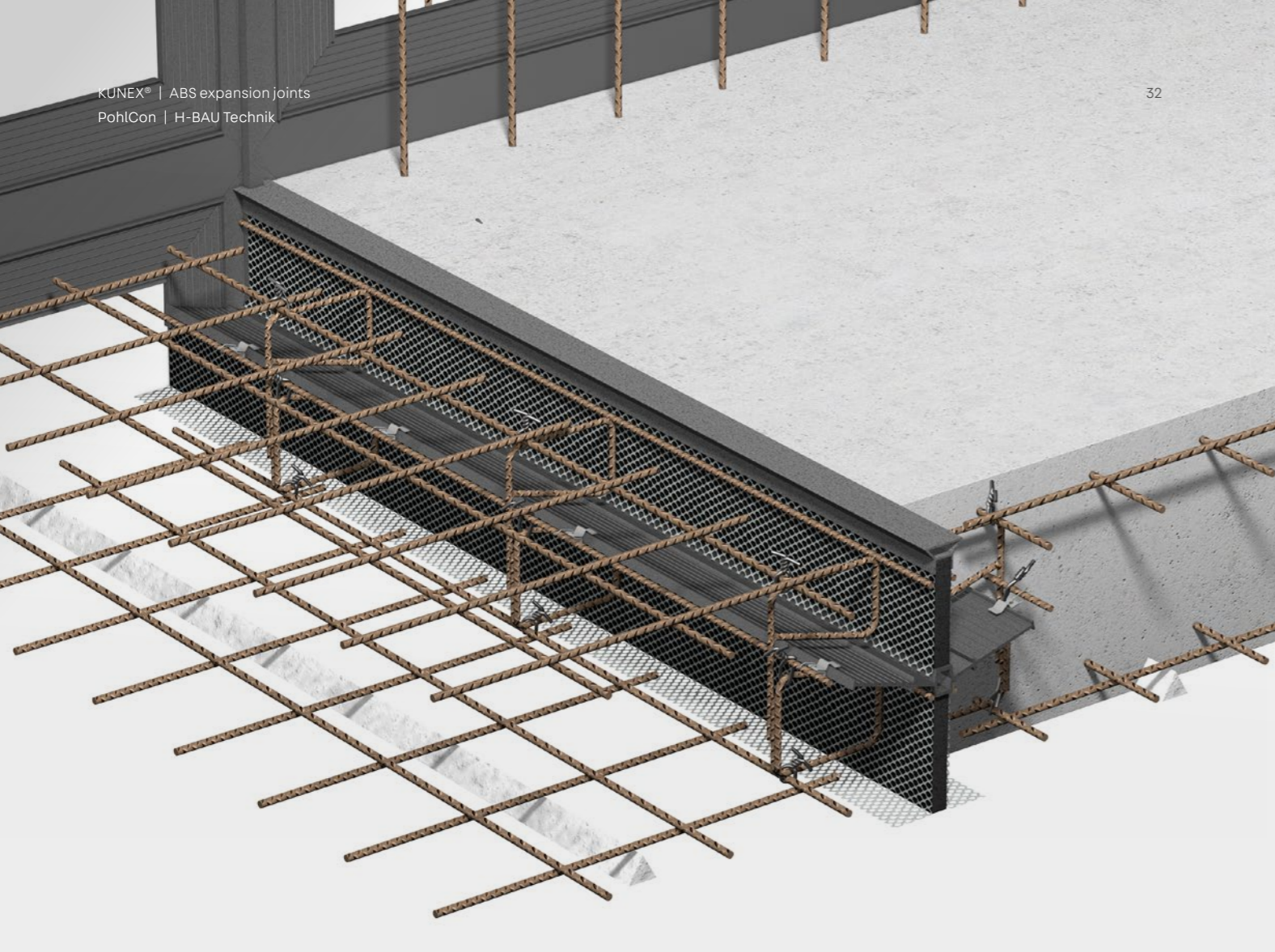
#### Benefits

- Perfectly geometric formation of construction joints
- Ensures that the watertight concrete is homogeneous
- Unhindered cross-sectional formation in the second casting section over the entire slab thickness
- Perfect rebar spacing without measurement

Type	Concrete cover mm	Height/length mm
AS-CV 30/100	30	100
AS-CV 30/150	30	150
AS-CV 30/200	30	200
AS-CV 35/100	35	100
AS-CV 35/150	35	150
AS-CV 35/200	35	200
AS-CV 40/100	40	100
AS-CV 40/150	40	150
AS-CV 40/200	40	200
AS-CV 50/100	50	100
AS-CV 50/150	50	150
AS-CV 50/200	50	200

Please state the diameter of the rebar being used.





# KUNEX® ABS expansion joints

Shuttering element for interior expansion joint tapes

## The product

Two-part shuttering element for the easy installation of interior KUNEX® expansion joint tapes in watertight reinforced concrete constructions with a joint width of 20 mm. KUNEX® shuttering elements for expansion joints are available in many different heights and are suitable as standard for floor slabs up to 500 mm thick.

## Area of application

KUNEX® ABS D is used in any application where the plans must take expansion joints caused by deformation into consideration, such as floor slabs in terraced houses. KUNEX® ABS D elements are used especially for watertight reinforced concrete components that have high requirements for both impermeability and deformability.



## Benefits

- Reliably seals straight expansion joints in floor slabs
- Two-part cage for quick joint tape installation
- Distance to reinforcement in line with DIN

## Technical information



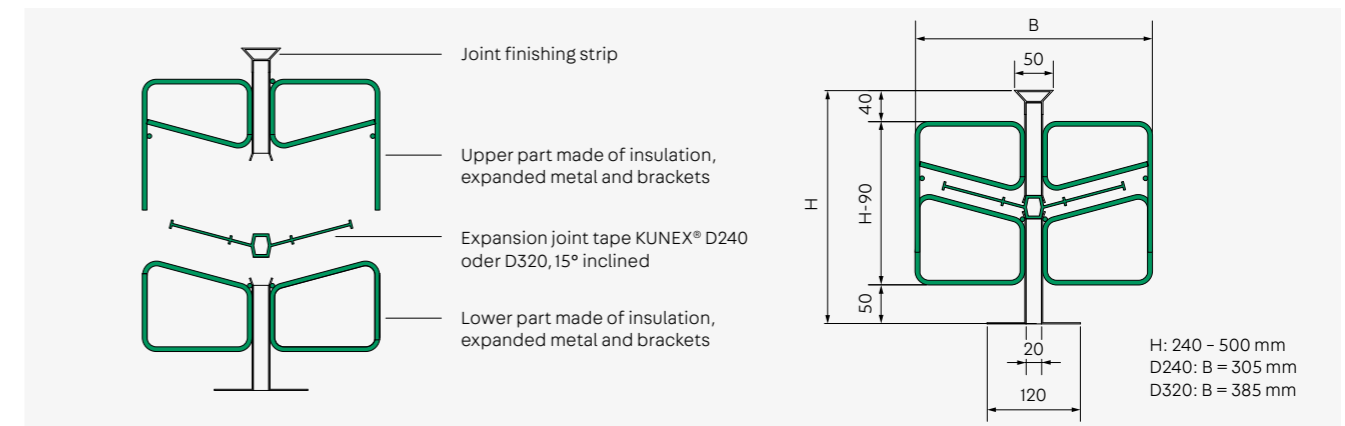
### Basic information

- Self-supporting, two-part element for shuttering and sealing straight expansion joints in floor slabs and ceilings
- Top and bottom parts consisting of expanded metal, steel stirrups and insulation (EPP)
- PVC-U joint end strip
- Standard length of shuttering element: L = 2.4 m
- Special lengths available on request
- Possible slab thicknesses H = 240 - 500 mm

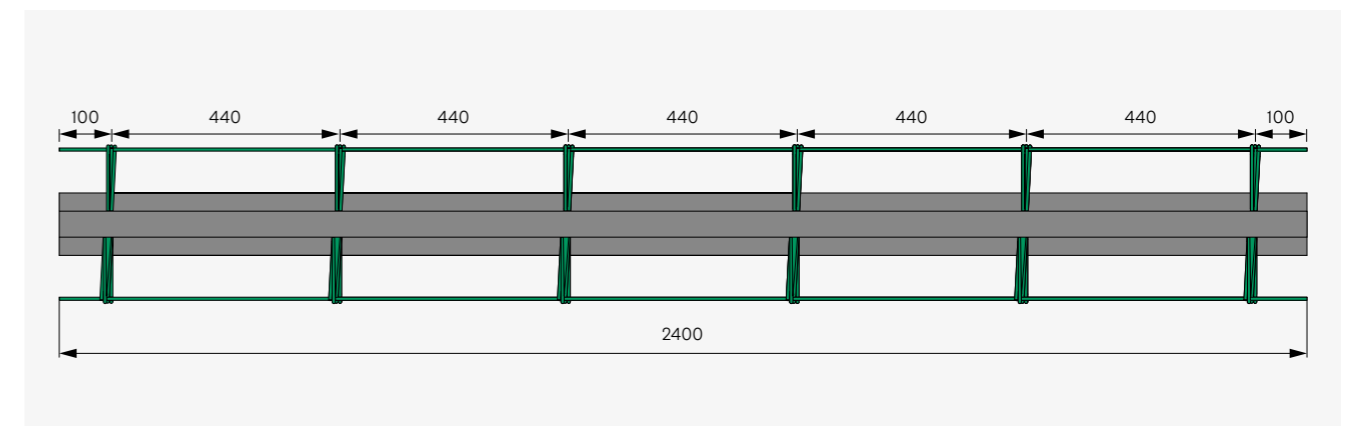
### Accessories

- KUNEX® D240 or D320 expansion joint tape

### System cross section

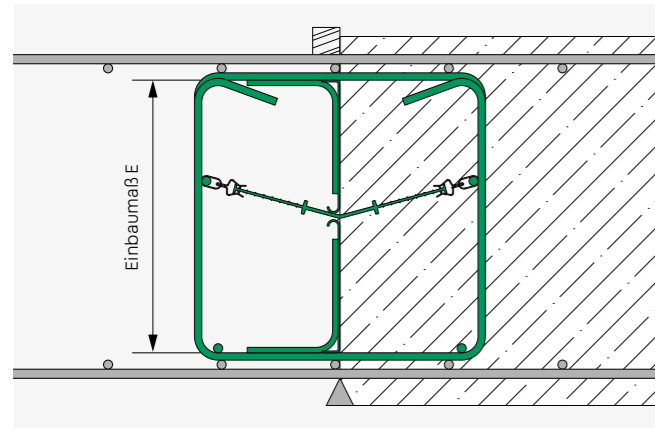


### Top view



## Example orders

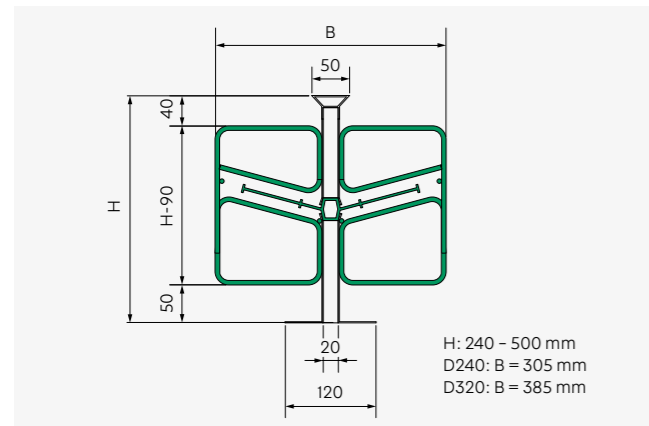
### KUNEX® ABS for construction joints



Example order for floor slab thickness 30 cm,  
interlocking joint in line with EC 2:

KUNEX® ABS A-V with KUNEX® A240 DIN BV	Type ABS Type KUNEX
E = 220 mm	E dimension
Total joint length L = 12 m	Joint length
12 A-CV 30 shuttering strips	Shuttering strip as required

### KUNEX® ABS for expansion joints



Example order for floor slab thickness 30 cm:

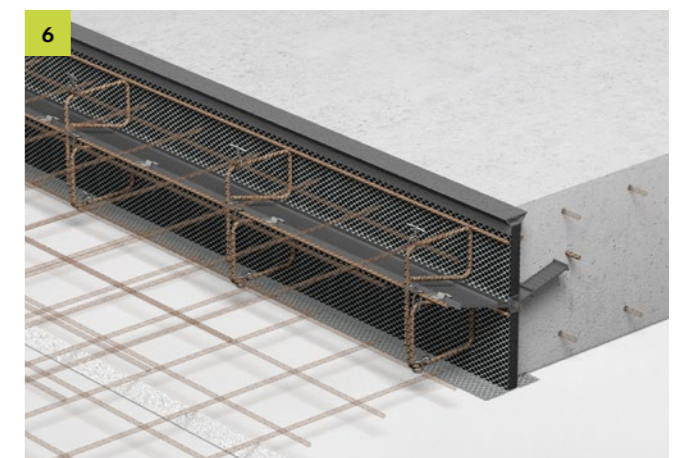
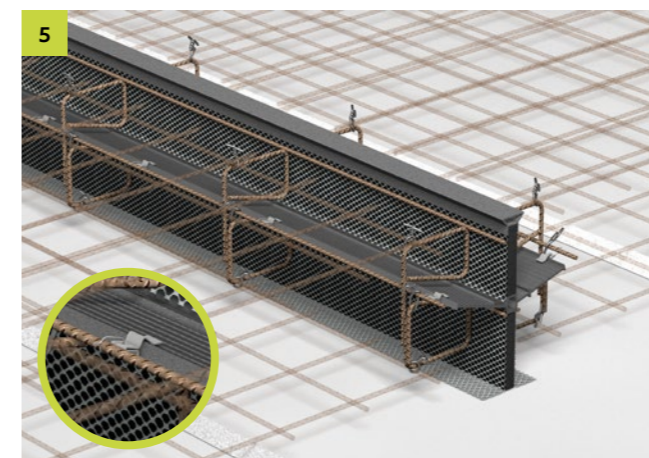
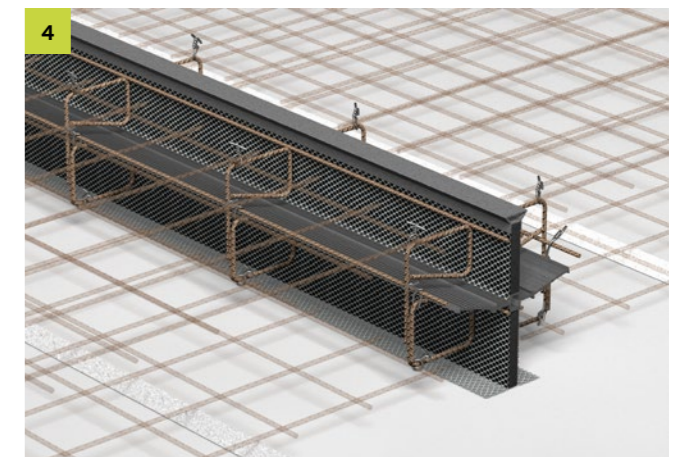
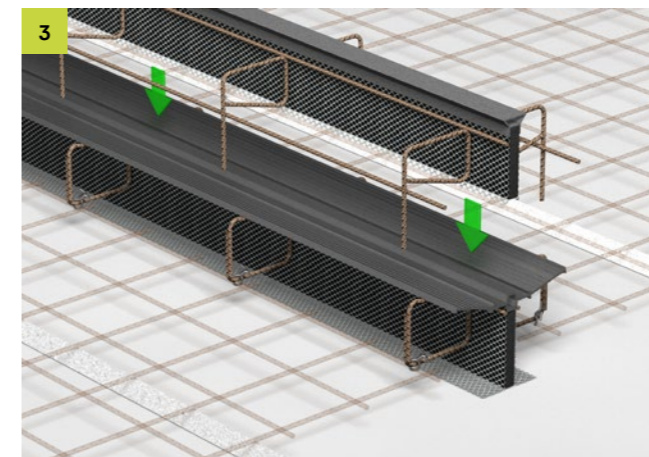
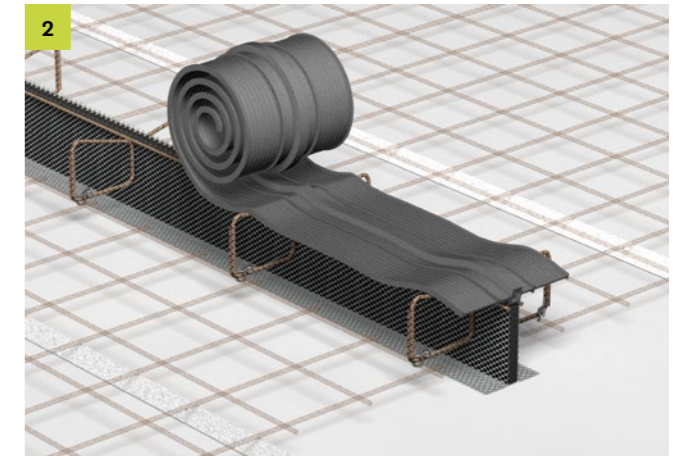
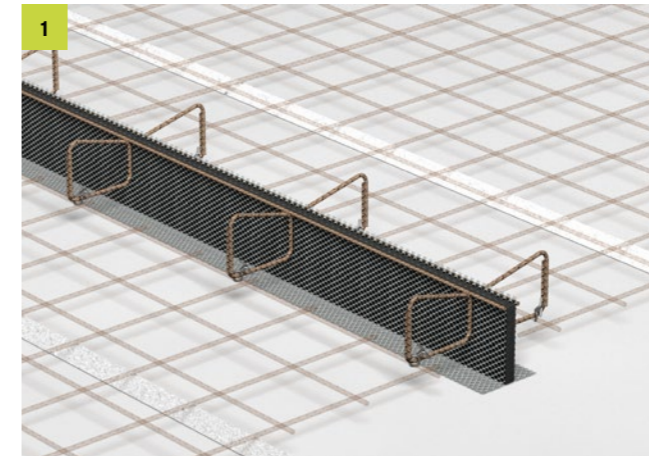
KUNEX® ABS D with KUNEX® D240 DIN NB	Type ABS Type KUNEX
Order size H = 300 mm	Height=order size
Total joint length L = 4.8 m	Joint length

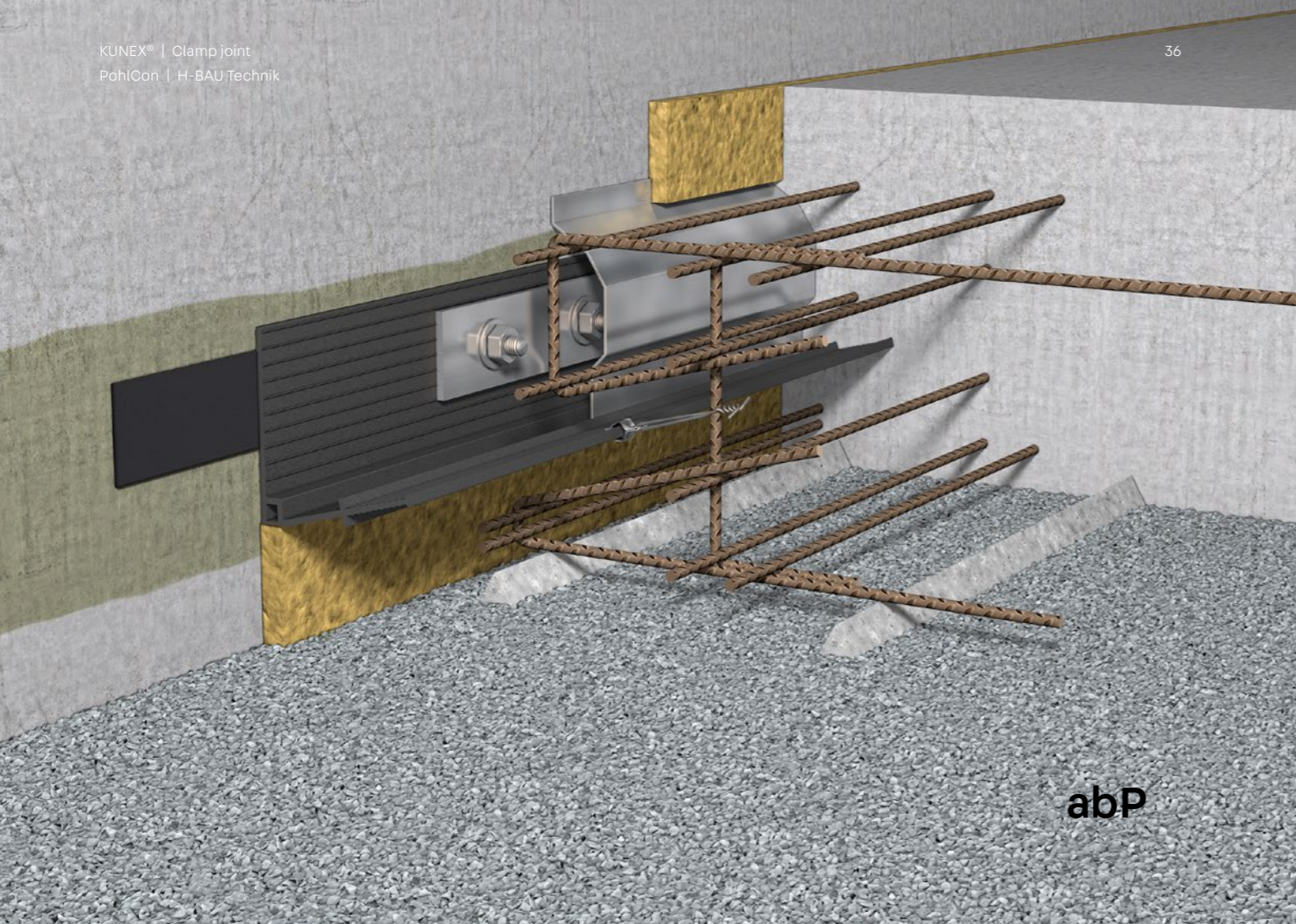
Order size H	240	250	260	270	280	290	300	310	320	330	340	350	360	370
H-90	150	160	170	180	190	200	210	220	230	240	250	260	270	280
B (KUNEX D240)	305	305	305	305	305	305	305	305	305	305	305	305	305	305
B (KUNEX D320)	385	385	385	385	385	385	385	385	385	385	385	385	385	385

Order size H	380	390	400	410	420	430	440	450	460	470	480	490	500
H-90	290	300	310	320	330	340	350	360	370	380	390	400	410
B (KUNEX D240)	305	305	305	305	305	305	305	305	305	305	305	305	305
B (KUNEX D320)	385	385	385	385	385	385	385	385	385	385	385	385	385

## Installation instructions

### Floor/floor and ceiling/ceiling





# KUNEX® Clamp joint

Connections between new and existing components

## The product

KUNEX® clamp joints are the ideal solution to the complex problems posed by joining a new building to an old building. The system consists of primer, joint tapes according to DIN 18541-2, steel profiles, anchors and a crepe rubber strip. The clamp joint works by pressing the joint tape onto the existing stock using clamp profiles and integrating the joint tape into the newly cast concrete components.

## Application

The KUNEX® clamp joint is used to create watertight movement joints in building connections. The movement joint can be up to 30 mm wide and the resulting deformation (vr) can be up to 20 mm. The system is suitable for zones subject to repeated wet and dry cycles and meets the requirements of usage class **A for stress classes 1 and 2 in accordance with the German watertight concrete guideline.**



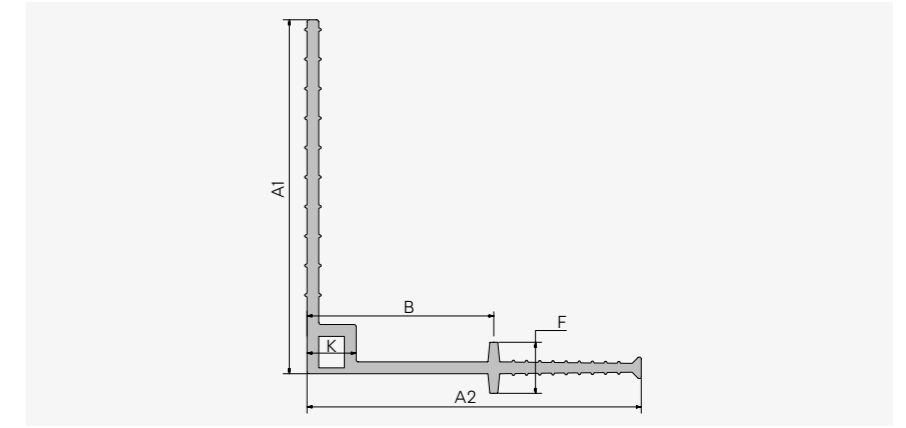
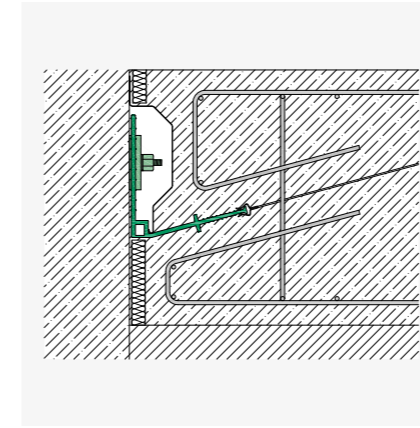
## Benefits

- With German building code test certificate (abP)
- Tested system solution with German building code test certificate (abP)\*
- Components from a single source
- Joint tapes with excellent welding properties
- Special custom solutions

\*Tested up to 2.5 bar; 0.5 bar permitted in accordance with the German building code test certificate (abP) (safety factor of 5.0).

## KUNEX® interior clamp joint tape

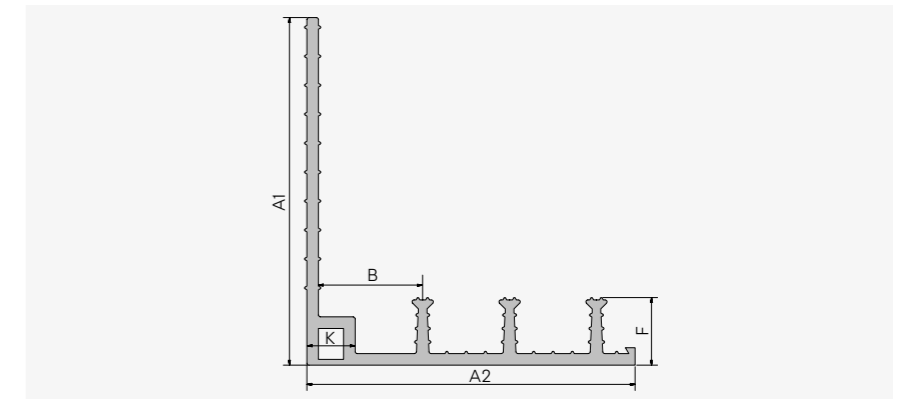
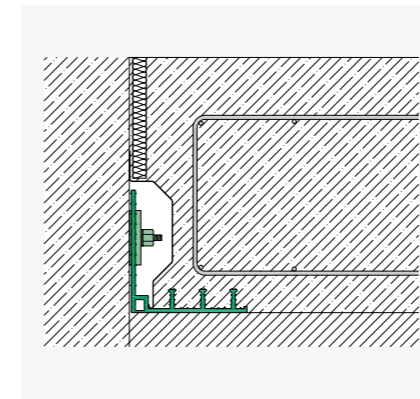
Technical data



Type DIN 18541-2	A1/A2 mm	K mm	F mm	B mm
D 180/170K DIN	180/170	20	26	95

## KUNEX® exterior clamp joint tape

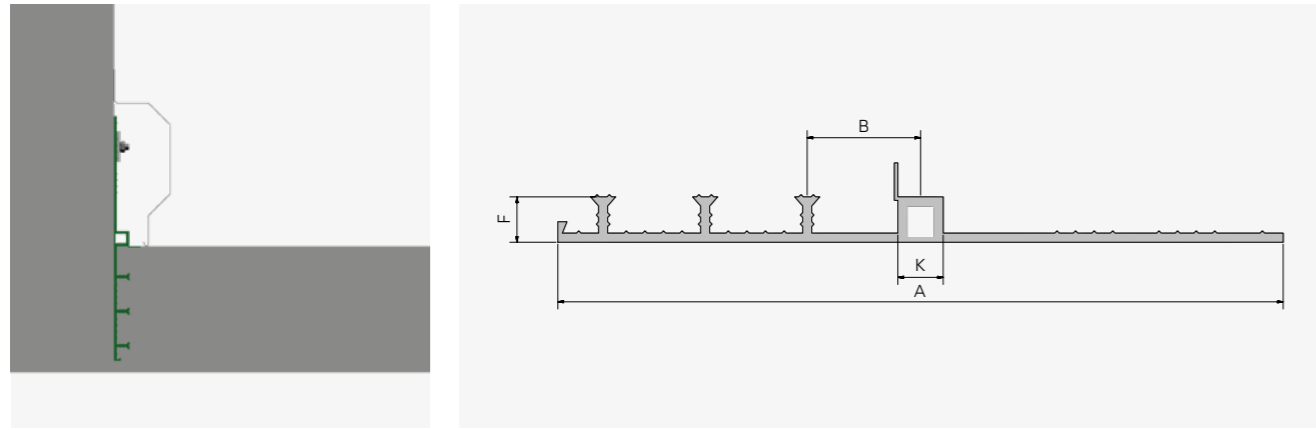
Technical data



Type DIN 18541-2	A1/A2 mm	K mm	F mm	B mm	No. of stop anchors
DA 180/170K DIN	180/170	20	35	60	3

## KUNEX® exterior clamp joint tape

### Technical data

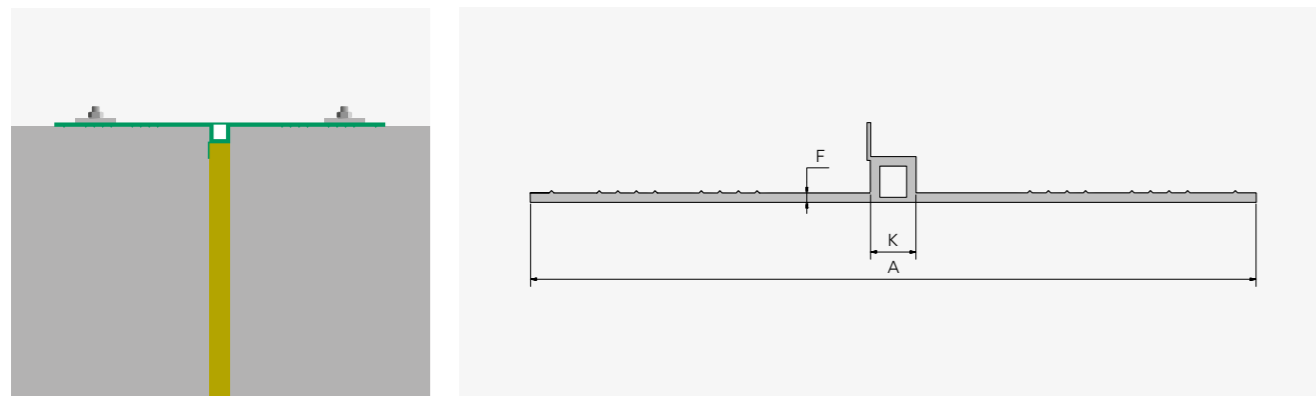


Type DIN 18541-2	A mm	K mm	F mm	B mm	Number of stop anchors
DA 320 KE DIN	320	20	20	50	3

KUNEX® PVC-P clamp joint tape for sealing joints between new concrete components and existing buildings.

## KUNEX® exterior clamp joint tape

### Technical data



Type DIN 18541-2	A mm	K mm	F mm
DA 320 KB DIN	320	20	4

KUNEX® PVC-P clamp joint tape for sealing joints between two existing components.

## Installation instructions

### Installation notes

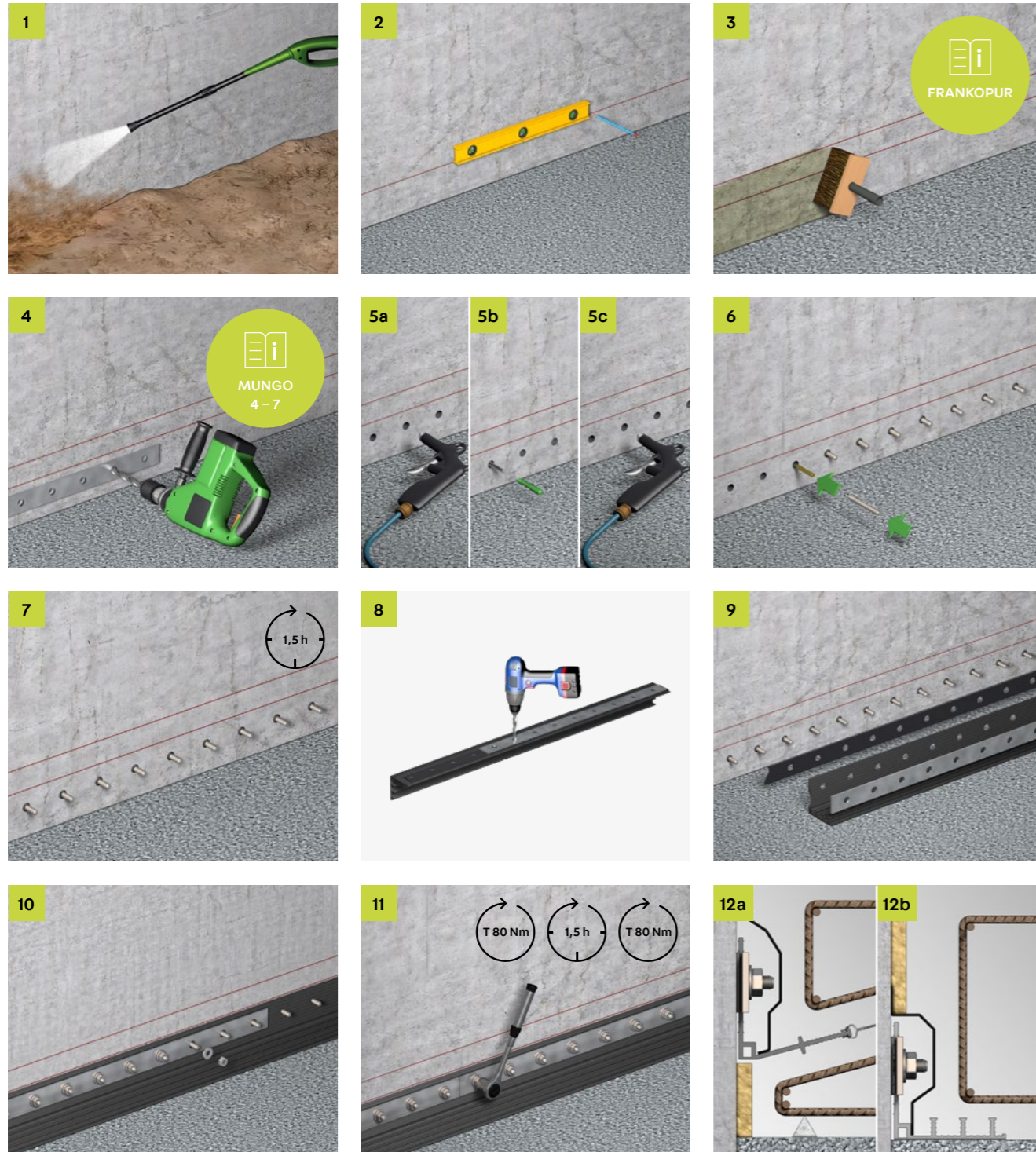
The surface of the existing building must be in the following condition:

- $\geq 25$  cm wide
- Clean, smooth, level and free from ripples and recesses
- Free from cavities, cracks and loose parts
- Watertight
- Load-bearing, surface tensile strength min.  $1.5 \text{ N/mm}^2$ , concrete quality  $\geq \text{C25/30}$  (previously: B25 watertight)



## Installation instructions

### Installation notes



## Accessories

### KUNEX® Clamp joint



#### Primer

For preparing the concrete surface.\*



#### Shear connector

Type: M12, M16\*, M20.  
For bonding the anchor rod in place.



#### Anchor rod

Type: M12/160, M16/190\*, M20/230. Galvanised or V4A with nut and U washer.



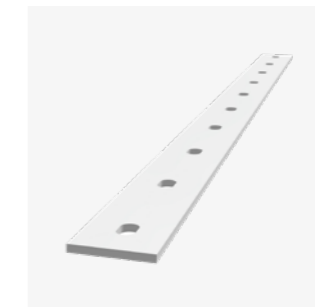
#### Concrete bolt

Type: TSM 14M16\* galvanised or TSM10M12\* V4A with nut and U washer. Alternative fastening option to the shear connector system.



#### Crepe rubber strip

Type: 80×4\*, 100×4\*.  
For sealing the building connection joint.



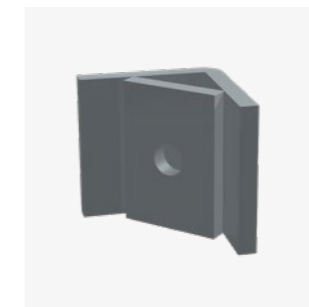
#### Clamping rail

Type: 80×8\* (16/30, 20/30\*), 100×10 (24/38). Slotted every 150 mm, galvanised (L=1450 mm) or V4A (L=1300 mm).



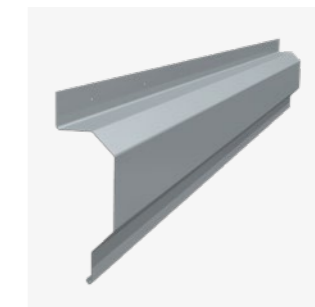
#### Outer corner

Special profile 80×10×200 mm. Galvanised or V4A.



#### Inner corner

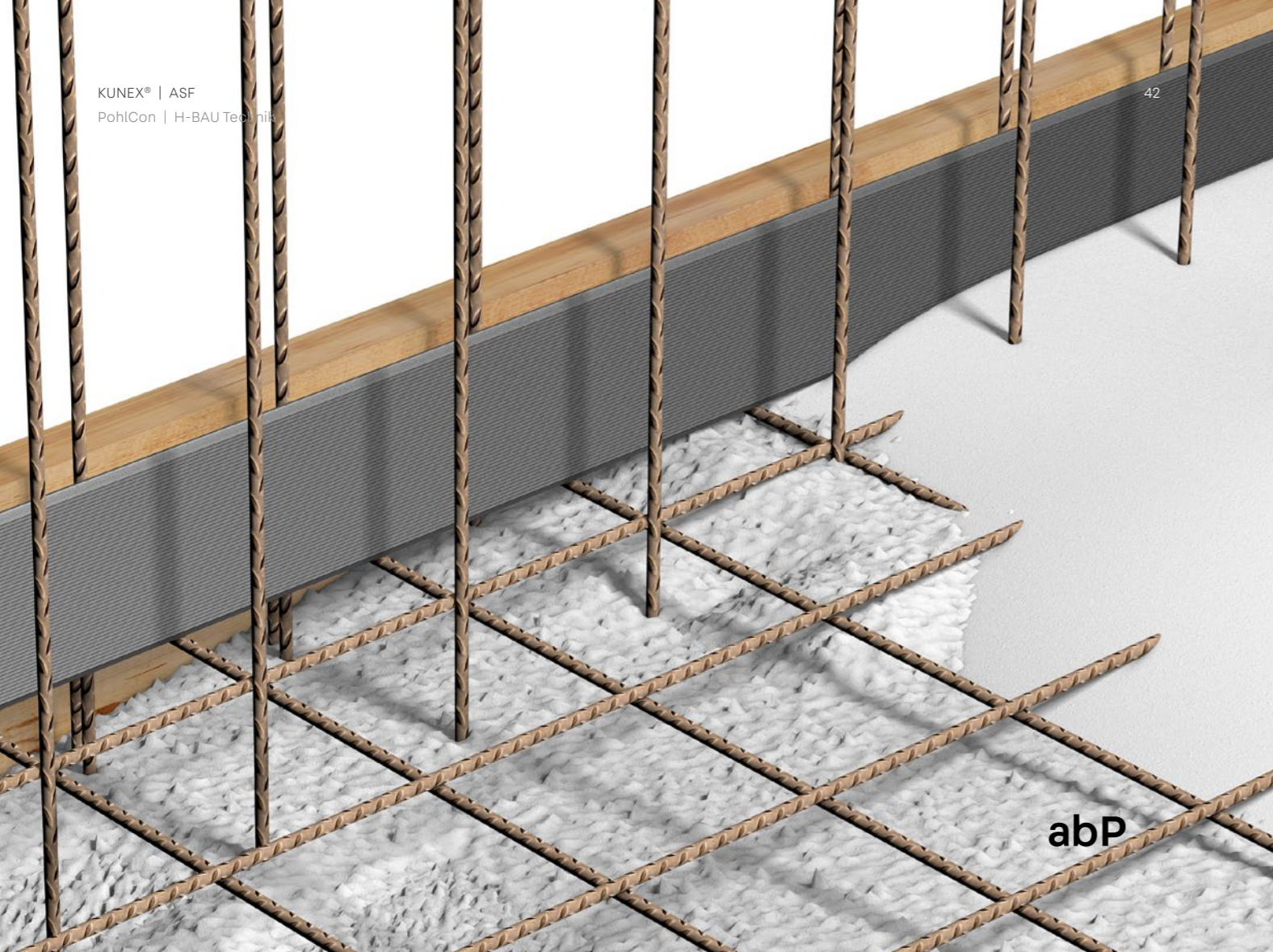
Special profile 80×10×100 mm. Galvanised or V4A.



#### Clamping protection profile

Made of galvanised sheet metal, comes with knock-in anchors. Ensures the joint can move and protects the structure.

\*If you are creating a KUNEX® clamp joint in accordance with the German building code test certificate P-5316/053/14 MPA-BS, the components followed by an asterisk must be used.



# KUNEX® ASF

For construction joints subject to minor loads

## The product

KUNEX® ASF thermoplastic joint tapes are used to seal construction joints that are subject to minor loads. The special profile design means they achieve an excellent sealing effect with an anchoring depth of just 30 mm.

## Application

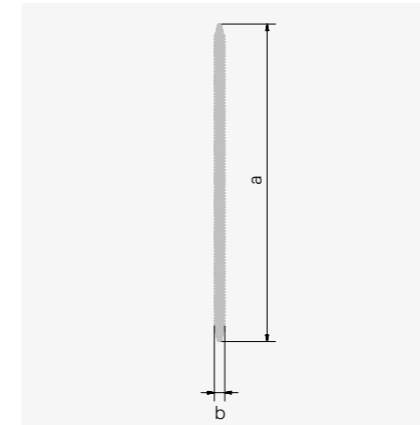
KUNEX® joint tapes are used as interior joint seals for forming watertight construction joints. The system is suitable for use in zones subject to repeated wet and dry cycles and meets the requirements of usage class A for stress classes 1 and 2 in accordance with the German watertight concrete guideline.



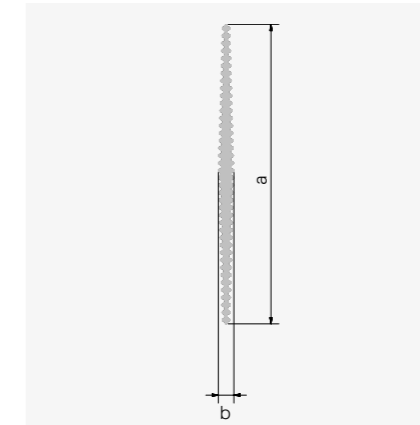
## Benefits

- With German building code test certificate (abP)
- Anchoring depth of only 30 mm
- Joint tapes with excellent welding properties

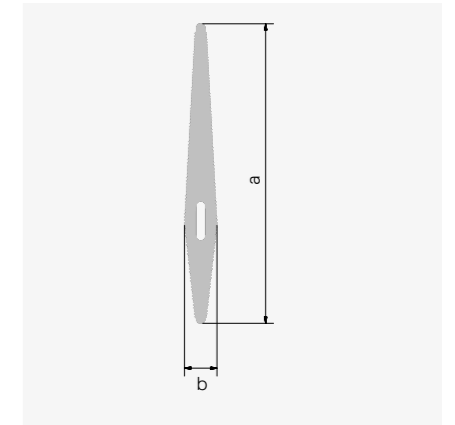
## Technical information



**Type ASF 80/5** a = 80 mm, b = 5 mm  
**Type ASF 100/5** a = 100 mm, b = 5 mm  
**Type ASF 120/4** a = 120 mm, b = 4 mm  
**Type ASF 120/6** a = 120 mm, b = 6 mm  
**Type ASF 150/5\*** a = 150 mm, b = 5 mm



**Type ASF 120/8** a = 120 mm, b = 8 mm

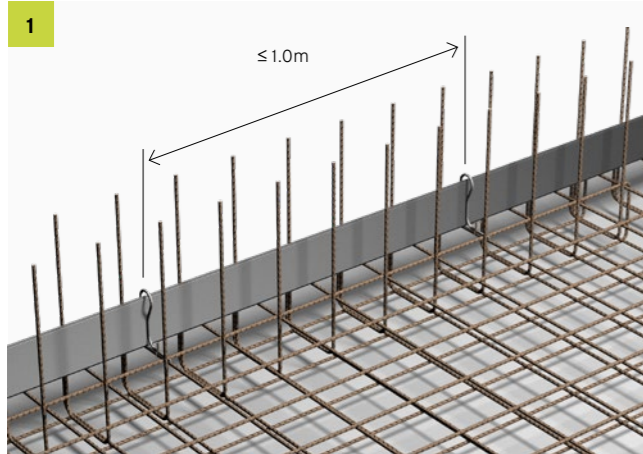


**Type ASF 120/12** a = 120 mm, b = 12 mm

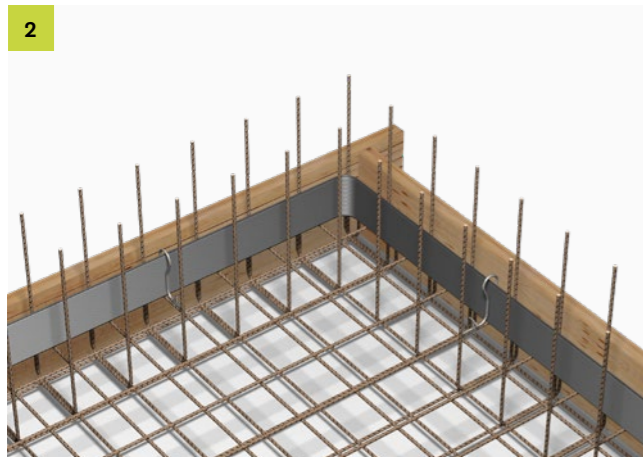
## Material parameters

Properties	PVC-P factory standard
Tensile strength in line with DIN EN ISO 527	≥ 8 N / mm <sup>2</sup>
Elongation at break in line with DIN EN ISO 527	≥ 150%
Hardness according to Shore A DIN 53505	≥ 89 ± 7
Reaction to fire in line with DIN EN 13501	Normal flammability (building material class E)
Temperature resistance	-20 to +60°C

## Installation instructions



- Check the joint tapes for damage or deformation before use
- The ASF joint tape must be free from contamination and ice
- Unroll the joint tape and lay it on the top layer of reinforcement without exerting any tension
- The tape is usually installed in the middle of the construction joint
- Butt joints are connected by butt joint welding
- It must be prevented from shifting or floating upwards while pouring the concrete
- The joint tape must be embedded without any voids
- The anchoring depth is  $\geq 30$  mm

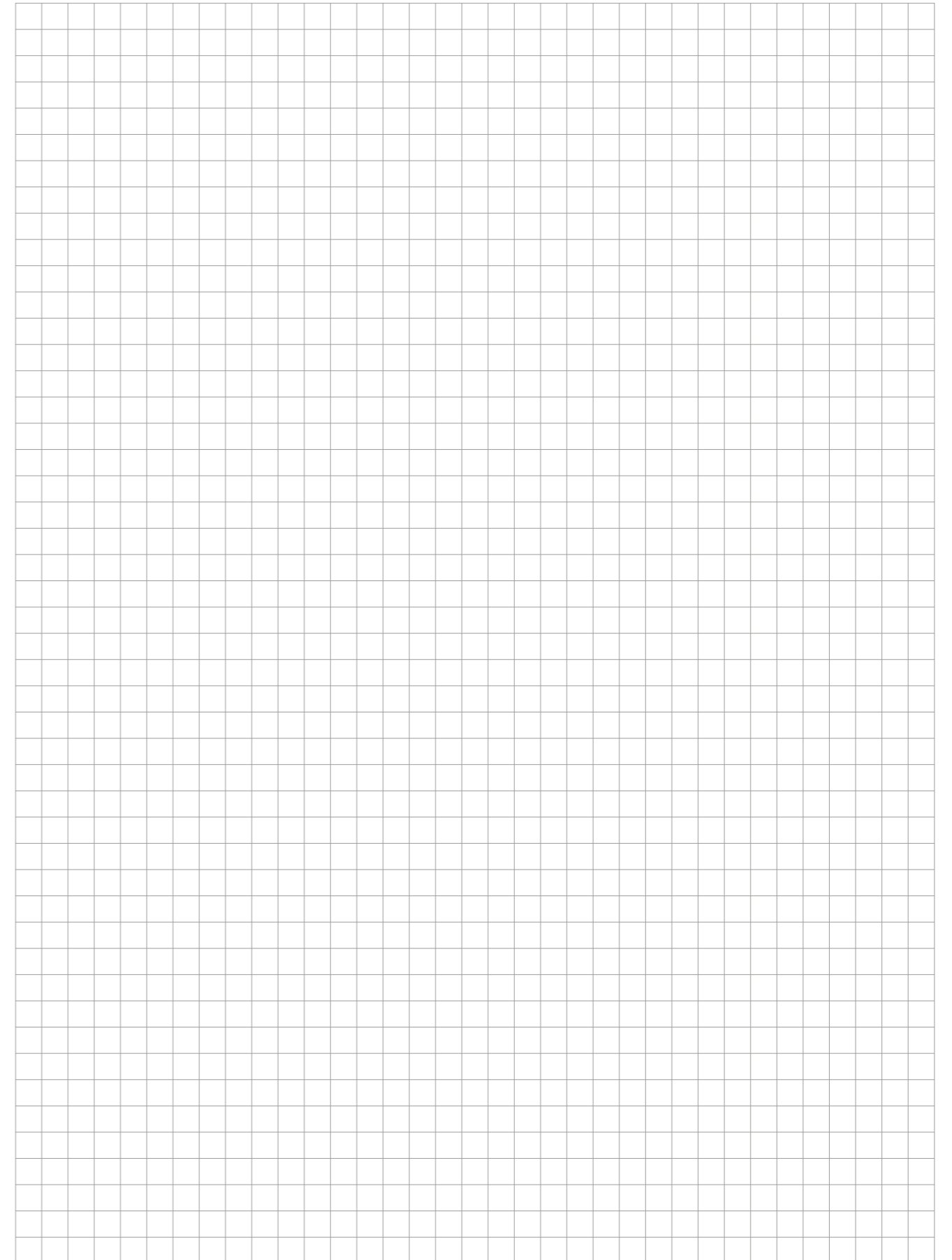


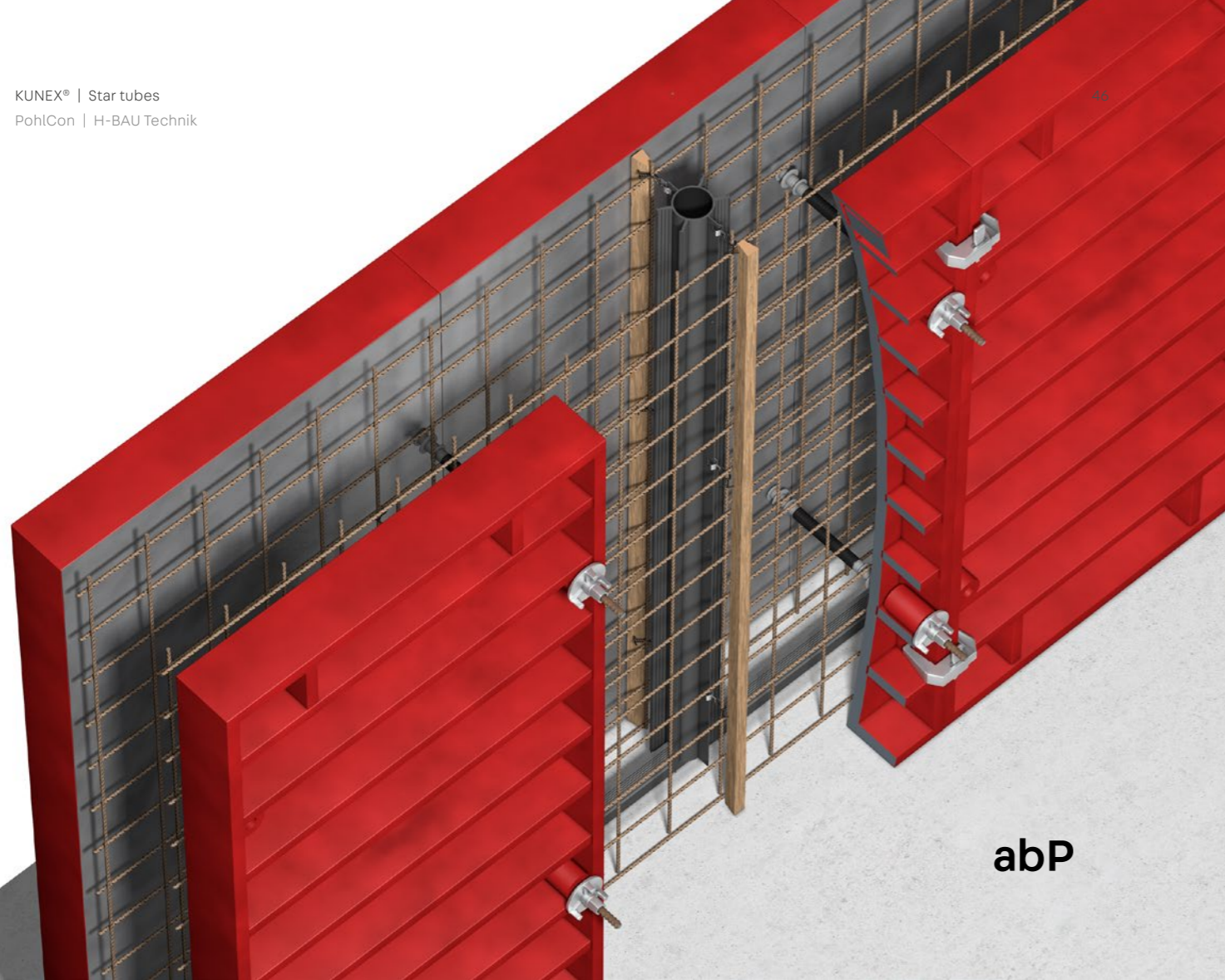
- Corners are formed with a  $\geq 150$  mm bending radius
- It must be prevented from shifting or floating upwards while pouring the concrete



Our Application Technology department will be happy to assist you with further solutions.

T +49 7742 9215-300  
technik@h-bau.de





# KUNEX® star tubes

For sealing crack control joints in concrete

## The product

KUNEX® thermoplastic (PVC-P) star tubes are used to seal dummy joints and crack control joints in concrete. Star tubes consist of a soft PVC casing with four stop anchors and two crack-formation lips. The casing is stabilised by a hard PVC interior tube. The two crack-formation lips are used to form the crack at a predetermined point. The crack is simultaneously sealed again by the four stop anchors.

## Application

KUNEX® star tubes are used as interior seals for forming dummy joints and crack control joints. The system is suitable for zones subject to repeated wet and dry cycles and meets the requirements of usage class A for stress classes 1 and 2 in accordance with the German watertight concrete guideline.

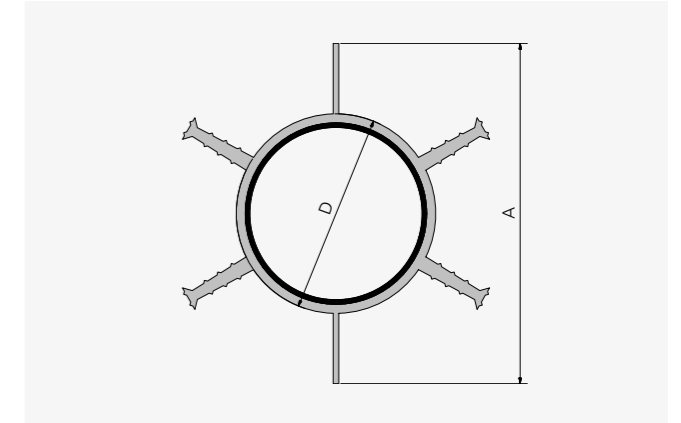
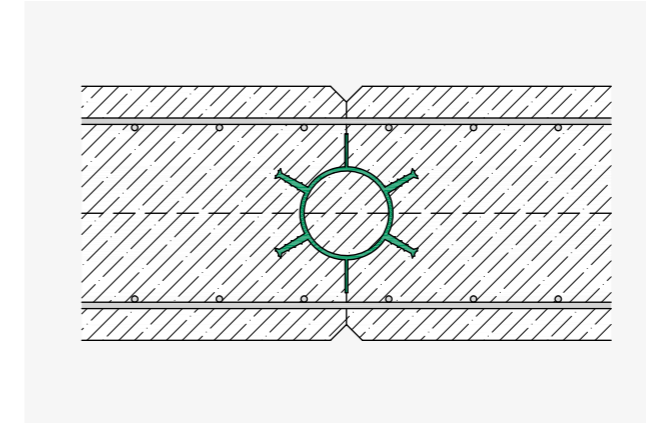


## Benefits

- With German building code test certificate (abP)\*
- PVC-P raw material
- PVC-U interior tube for stabilisation
- Star tubes also available with cutouts and eyelets
- For use with KUNEX® joint tapes and PENTAFLEX KB® seam sheets in line with German building code test certificate (abP)

\*Tested up to 5.0 bar; 2.0 bar permitted in accordance with the German building code test certificate (abP) (safety factor of 2.5).

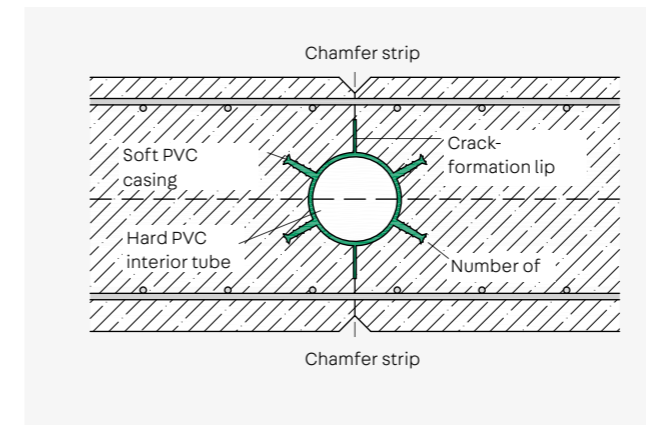
## Technical information



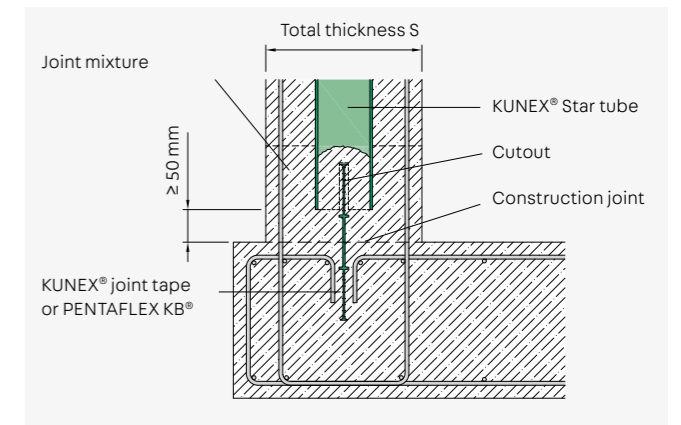
Type	D mm	A mm	For wall thickness mm	Standard lengths m
Q60	60	100	≤ 240	2.50; 3.00; 4.00
Q88	88	150	≤ 350	2.50; 3.00; 4.00
Q175	175	235	> 350–500	2.50; 3.00; 4.00

Upon request, star tubes can be delivered with a cutout for attachment to the joint seal and/or with fastening eyelets on both sides (O2). The eyelets are spaced 200 mm apart. The following applies to selecting the appropriate star tube for element walls: In-situ concrete core = wall thickness. Other lengths available on request.

## System cross section



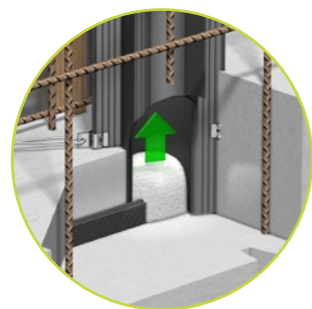
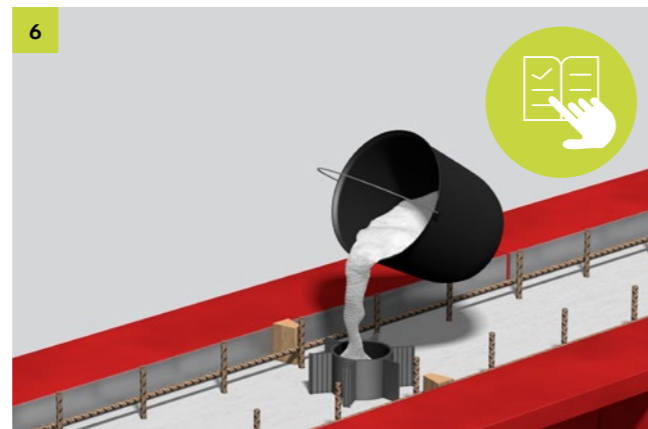
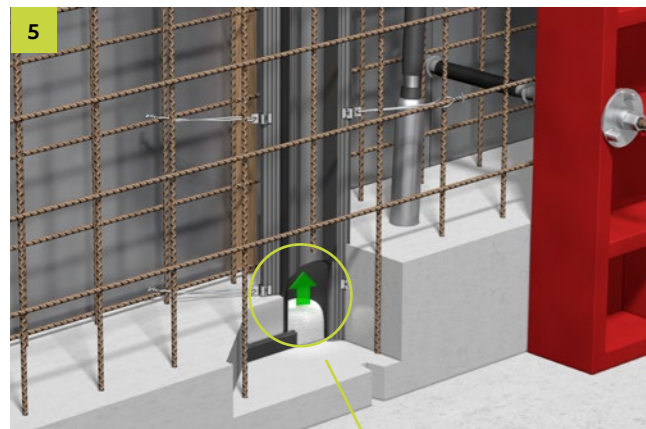
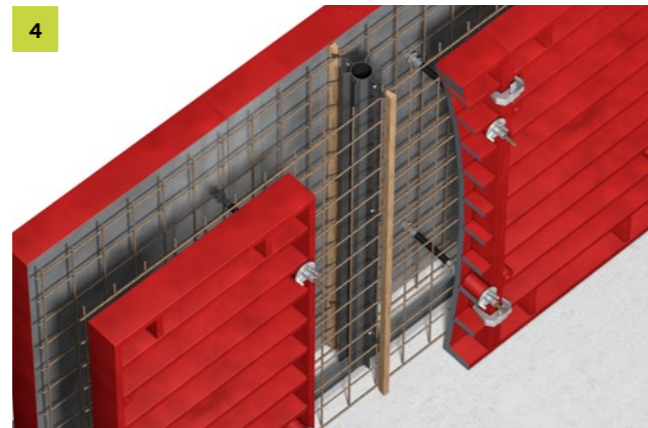
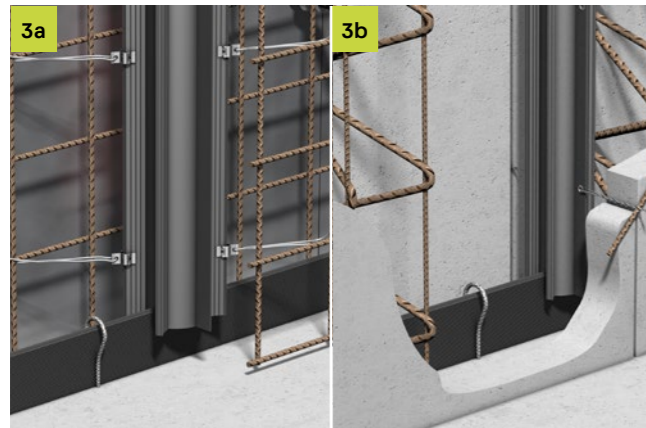
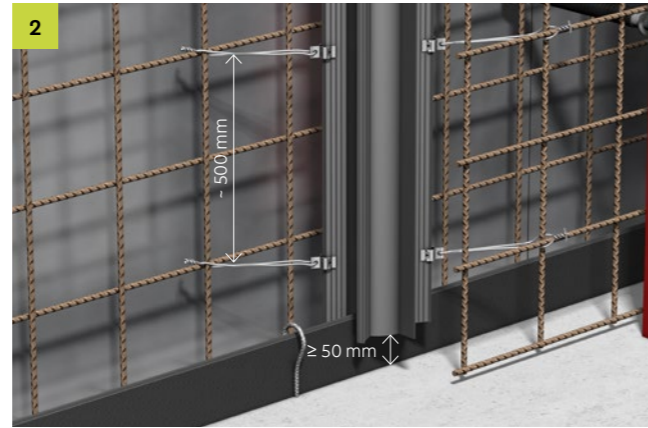
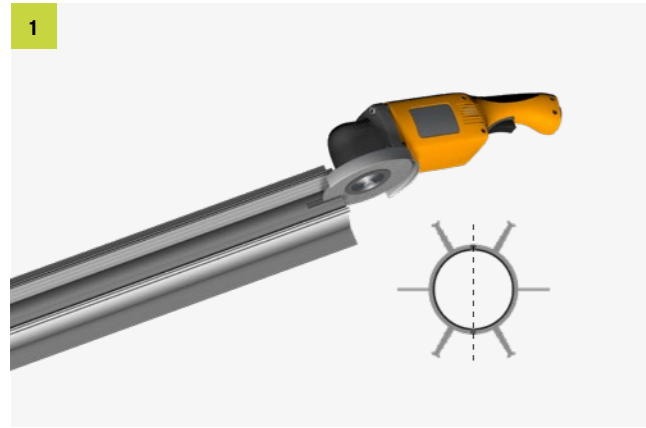
Top view of wall/wall star tube



Connection between star tube and joint seal

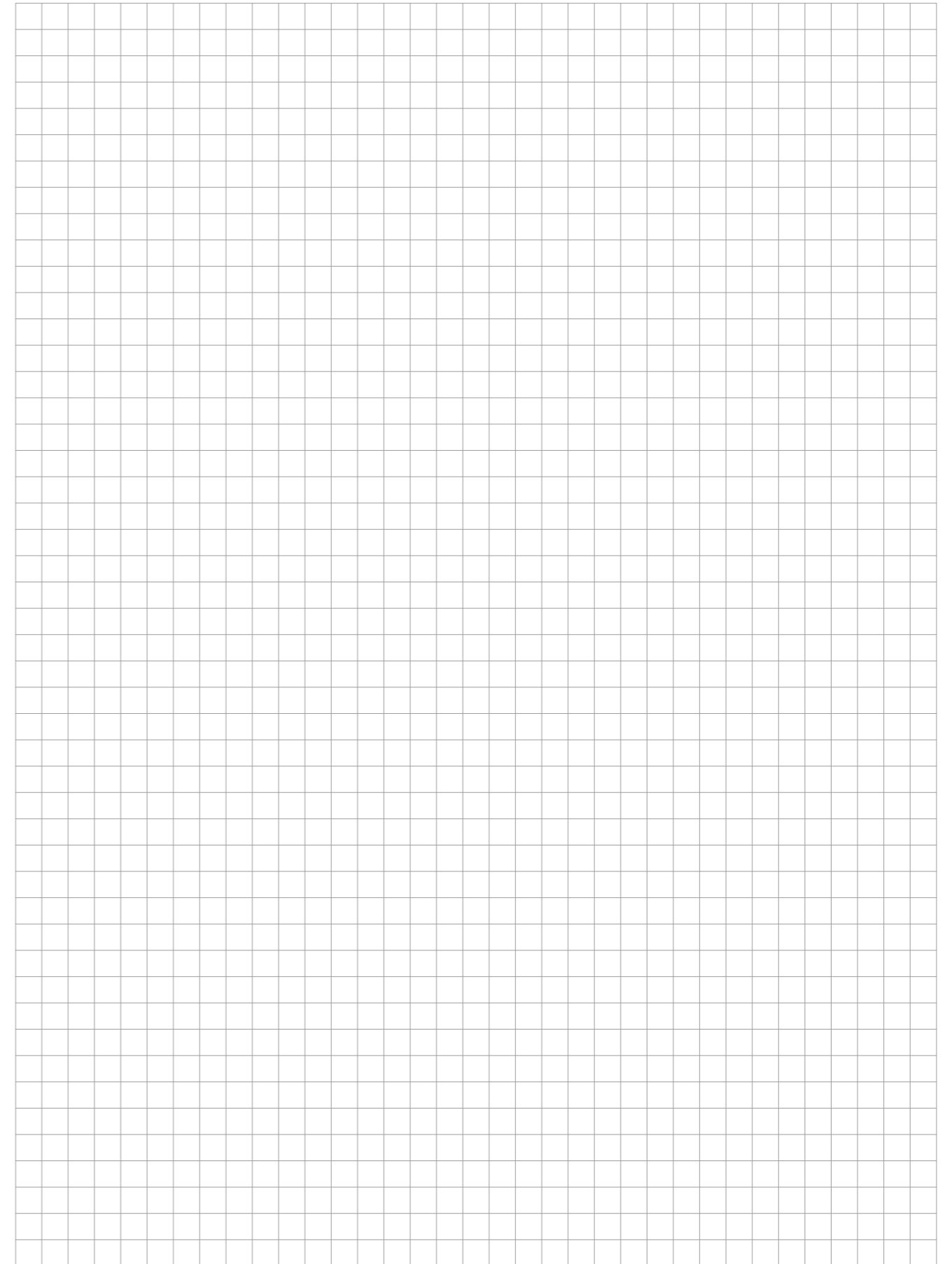


# Installation instructions



Our Application Technology department will be happy to assist you with further solutions.

T +49 7742 9215-300  
technik@h-bau.de





# KUNEX® puddle flange

For sealing pipelines and earthing strips

## The product

The KUNEX® MK puddle flange is used to seal pipelines that are laid through watertight concrete components. This high-quality puddle flange is made of TPE, is tested to ensure tightness against water pressure up to 5.0 bar (50 m hydrostatic head) and is resistant to a variety of chemical substances. Types EF and ER are used to seal flat and round earthing strips.

## Application

The fact that the system is easy to install and use with all common pipe materials and diameters makes it a flexible, safe and cost-effective solution. All that is needed on the construction site is a smooth, clean and damage-free surface for the underground pipe or earthing strip. The system comes ready to install with all the required materials.

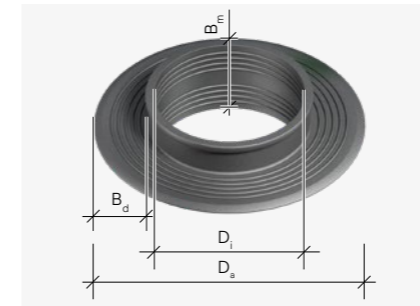


## Benefits

- Easy to assemble and use
- Material: Black TPE
- Tested for watertightness up to 5.0 bar water pressure (does not apply to the types EF/ER)

# KUNEX® MK

## Technical data



Type	Outer pipe diameter mm	D <sub>i</sub> mm	D <sub>a</sub> mm	Sleeve width B <sub>m</sub> mm	Sealing ring B <sub>d</sub> mm
<b>MK 40</b>	38 - 42	38.50	134.00	57	40
<b>MK 50</b>	48 - 53	48.50	144.80	57	40
<b>MK 63</b>	60 - 64	62.30	157.20	57	40
<b>MK 75</b>	71 - 80	73.80	169.50	57	40
<b>MK 90</b>	84 - 92	87.20	183.70	57	40
<b>MK 110</b>	105 - 116	108.4	203.5	57	40
<b>MK 125</b>	120 - 130	123.3	219.2	57	40
<b>MK 160</b>	154 - 166	157.7	253.1	57	40
<b>MK 200</b>	195 - 210	199.8	290.4	57	40

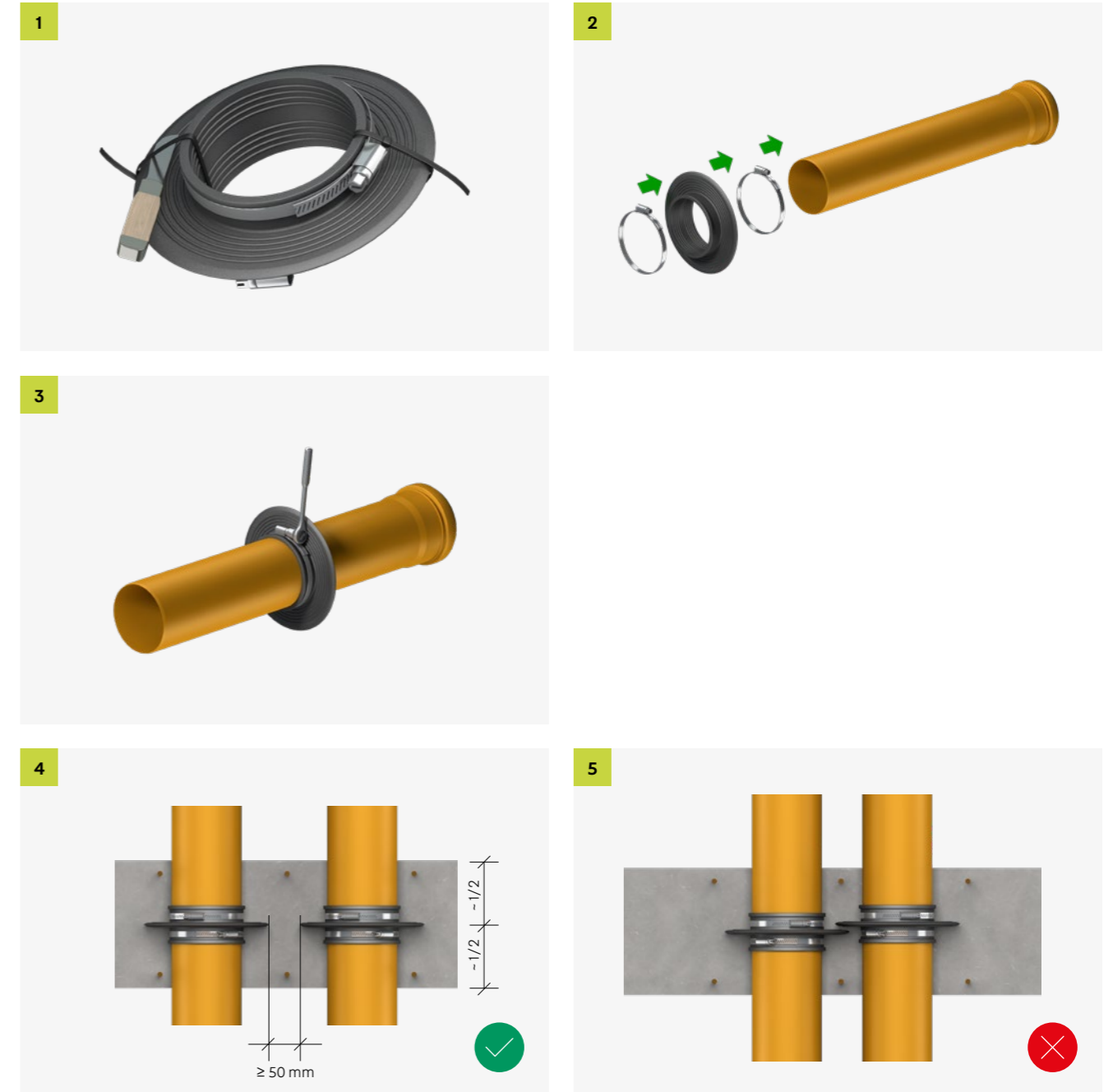
## KUNEX® MK EF/ER

### Technical data



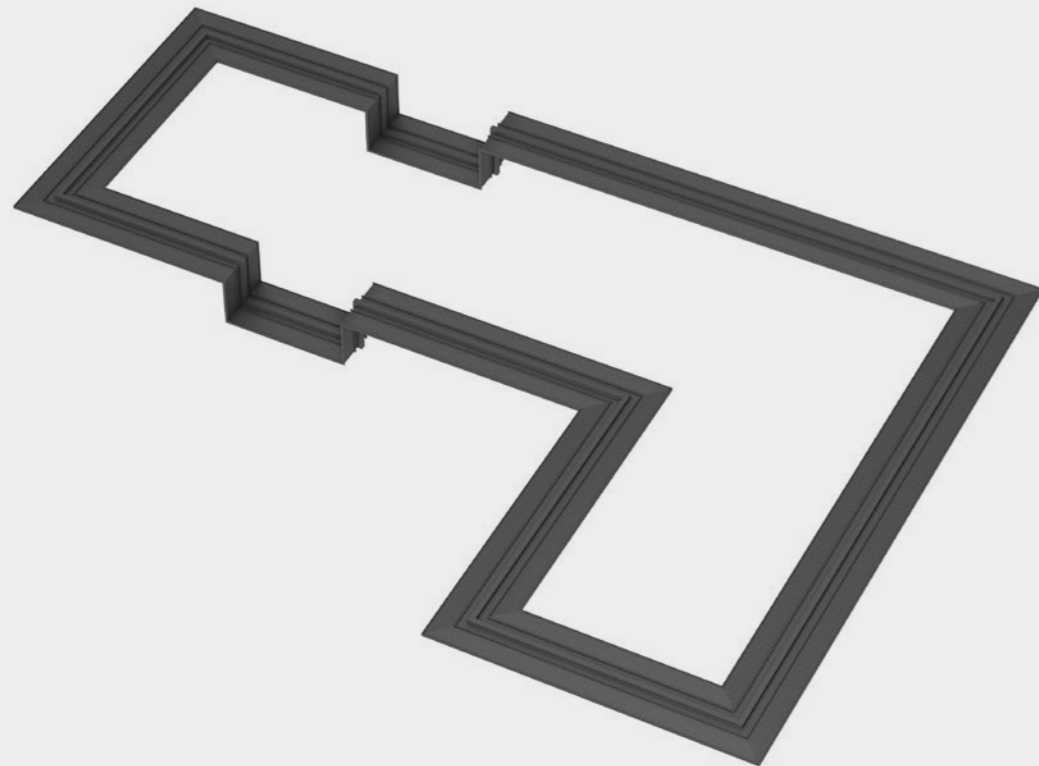
Type	Outer pipe diameter mm	D <sub>i</sub> mm	D <sub>a</sub> mm	Sleeve width b <sub>m</sub> mm	Sealing ring b <sub>a</sub> mm
MK EF	30 × 3 - 3.5	30.5 × 6.0 mm	120.80	39.80	40
MK ER	8 - 10	9.50	106.20	39	40

## Installation instructions



Our Application Technology department will be happy to assist you with further solutions.

T +49 7742 9215-300  
 technik@h-bau.de



# KUNEX® formed parts and accessories

Joint tape systems with corners, crossovers and T shapes

KUNEX® joint tapes and formed parts are used to create closed joint tape systems for sealing watertight concrete structures. These are prefabricated in the factory in sections of up to 25 m so that only a few minor butt joint welds need to be made on the building site.

### Application

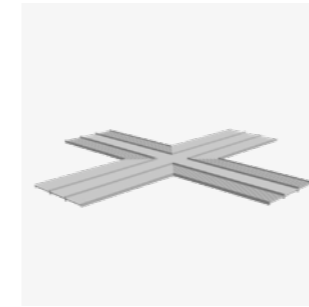
KUNEX® formed parts are used as interior or exterior joint seals for forming watertight construction or movement joints. The systems are suitable for zones subject to repeated wet and dry cycles and meet the requirements of usage class A for stress classes 1 and 2 in accordance with the German watertight concrete guideline. KUNEX® accessories are used when handling joint tapes on construction sites.



### Benefits

- Factory-welded connections
- Standard formed parts
- Welded structures in accordance with customer requirements
- Welding training courses
- Welding equipment for the building site

## Standard formed parts



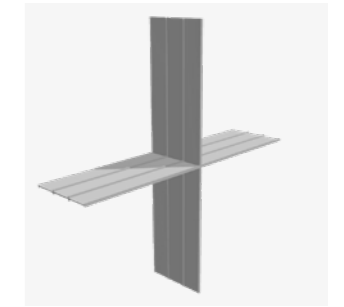
**Form 1**  
Flat crossover



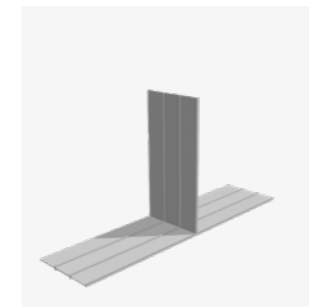
**Form 2**  
Flat T



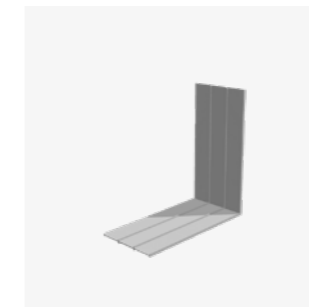
**Form 3**  
Flat corner



**Form 4**  
Vertical crossover



**Form 5**  
Vertical T



**Form 6**  
Vertical corner



**Form 7**  
Vertical crossover



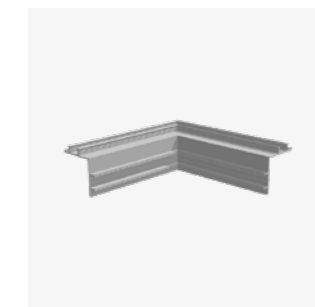
**Form 8**  
Vertical T



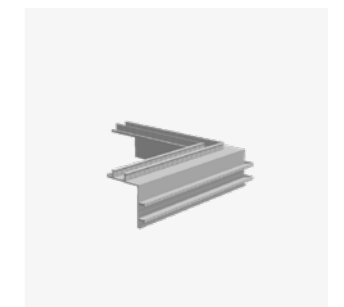
**Form 9**  
Vertical corner



**Form 10**  
Flat corner

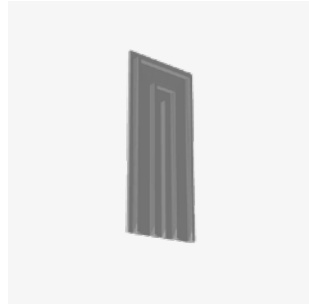


**Form 11**  
Mirrored corner

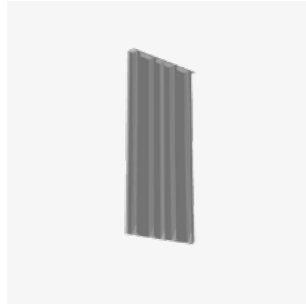


**Form 12**  
Double-angled corner

## Standard formed parts



**Form 13**  
Joint tape lock

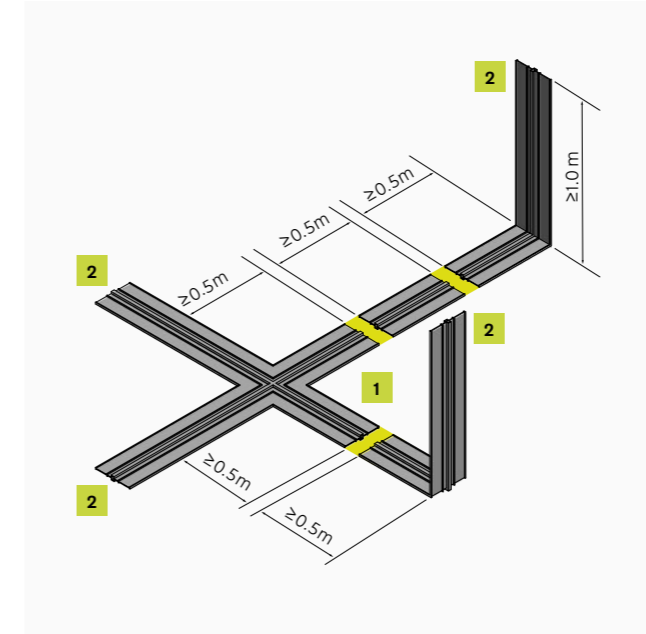


**Form 14**  
Joint tape closure

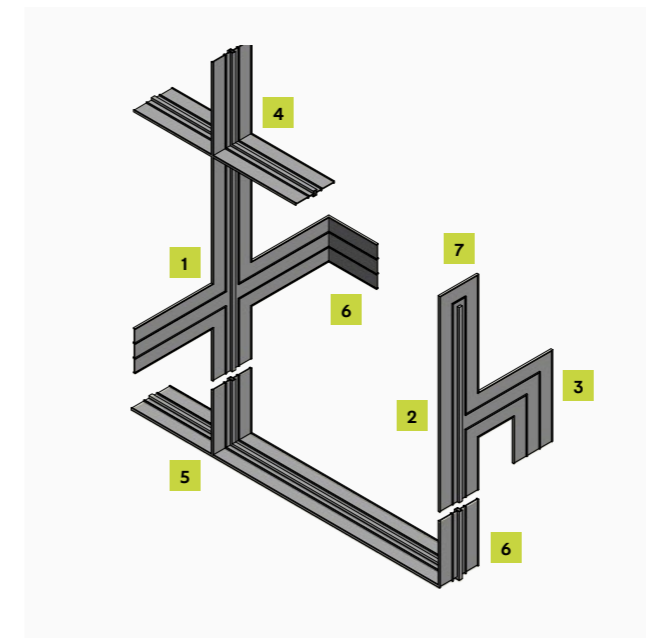


**Form 15**  
Butt joint

## Joint tape designs



- 1** First casting section
- 2** Free joint tape end
- Joint on building site



- 1** Flat crossover
- 2** Flat T
- 3** Flat corner
- 4** Vertical crossover
- 5** Vertical T
- 6** Vertical corner
- 7** Joint tape lock

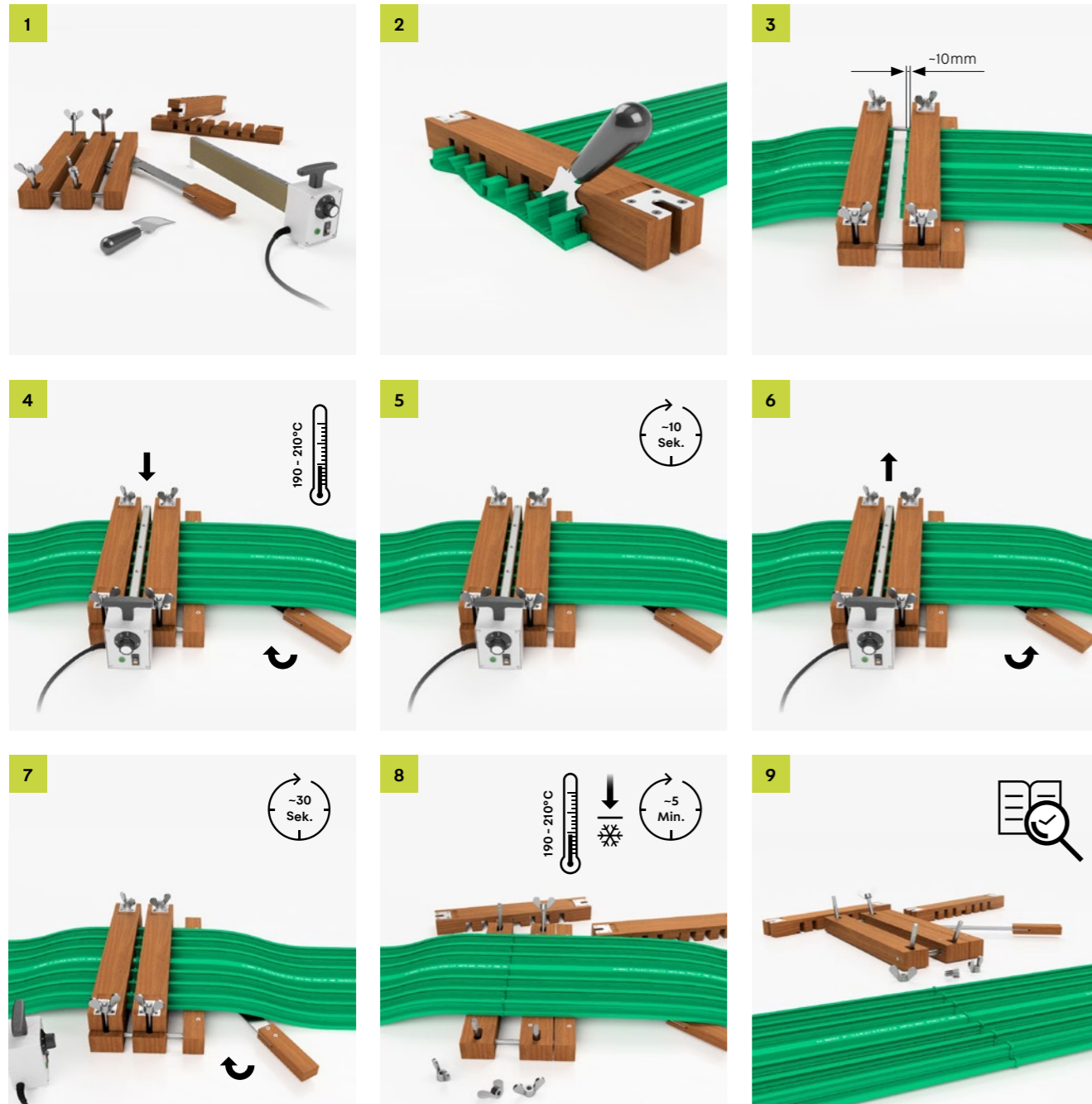
Alongside standard formed parts made of construction joint tapes, expansion joint tapes or joint end tapes, we also produce joint tape designs in accordance with customer requests.



Our Application Technology department will be happy to assist you with further solutions.

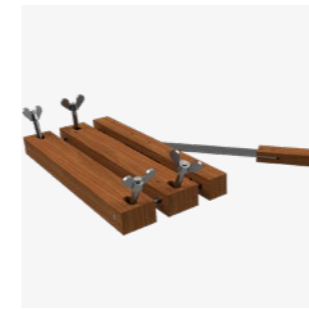
T +49 7742 9215-300  
technik@h-bau.de

## Butt joint welding on the building site



ⓘ Joints on building sites must only be created by qualified personnel.  
 Visit [www.h-bau.de](http://www.h-bau.de) for more information regarding qualifications

## Accessories



**Welding gauge**  
 Type: SL320.  
 This basic element is used to hold KUNEX® templates.



**Template**  
 Type: A-D 190, 240, 320.  
 Type: AA-DA 190, 240, 320.  
 Used to guide the KUNEX® joint tapes when cutting and welding.



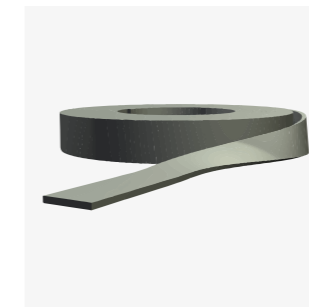
**Welding plate**  
 Type: SSP 400.  
 For joining thermoplastic joint tapes.



**Joint tape knife**  
 For cutting joint tapes.



**Spark tester**  
 230 V, 50/60Hz.  
 Test voltage: Adjustable from 10 - 55 kV, flexible rod electrode, 150 mm long.



**Welding tape**  
 Type: 25/3 or 30/2 - also available in BV quality class.  
 For reinforcing joint tape welds.



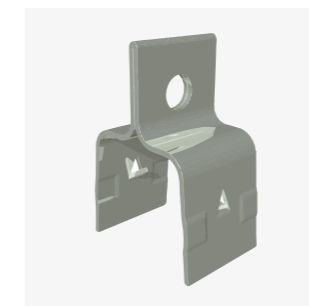
**Hot air gun**  
 Hot air welder, 1600 watts / 230 V.



**Tubular nozzle**  
 Dia. 5 mm as accessory for hot air gun.



**Wide slot nozzle**  
 20 mm wide as accessory for hot air gun.



**Joint tape clip**  
 For fastening joint tapes in place.  
 Consumption: 4 units per running metre and side.



**Joint tape connector**  
 The FBV joint tape connector in a clamping device for connecting construction joint tapes.  
 Type: FBV 100, 150, 190, 240, 320



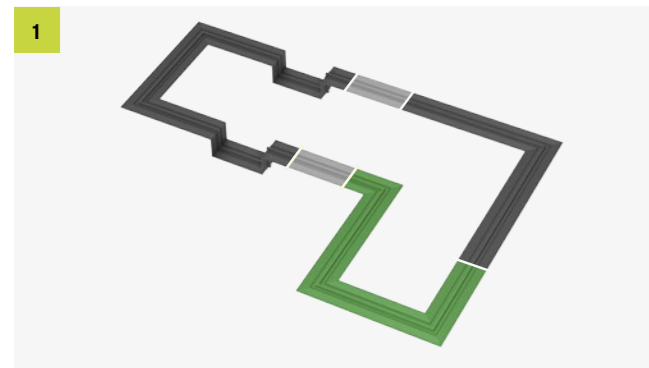
**Joint tape connection**  
 The joint tape connection FBA is a clamping device for connecting PENTAFLEX® elements with joint tapes of all kinds.

## General information

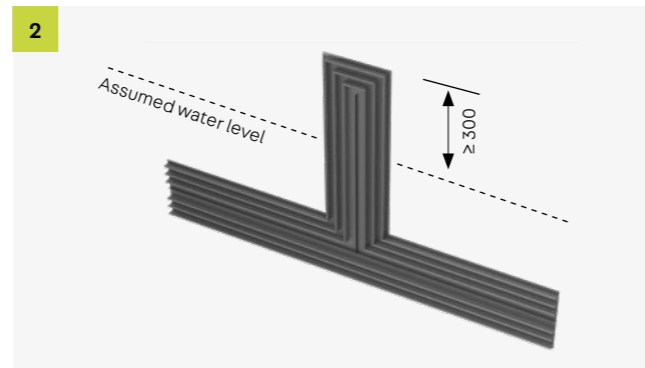
### Guidelines

The most suitable joint tape must be determined on the basis of the anticipated loads. Ensure that the tape is properly applied to the structure.

- Joints should be as straight as possible, clearly visible and without any differences in elevation
- Any changes necessary in the direction of the joint profile should run at right angles where possible
- Concise drawings of the joint tapes, the joint profile, connections and crossovers are required



Joint tapes must create a closed sealing system



Joint tapes should be laid at least 300 mm above the assumed water level and sealed at the ends with a joint tape lock

### Selecting a joint tape

Joint tapes should be selected depending on the following conditions:

- Type of joint: Construction joint or movement joint
- Interior or exterior sealing level
- Compatible with bitumen (BV) or not compatible with bitumen (NB)
- Joint tape width depending on the assumed water level, thickness of the component and, if applicable, the resulting deformation of the joint
- Joint tape in line with DIN or factory standard (German building code test certificate (abP))

### Regulations

- DIN 18197 – Planning, design, handling, processing and installation of joint tapes
- DIN 18541-1 – Shape, dimensions and markings of PVC-P joint tapes in accordance with DIN
- DIN 18541-2 – Material properties of PVC-P joint tapes in accordance with DIN
- German building code test certificate (abP) – Shape, dimensions, markings and material properties of PVC-P joint tapes in accordance with factory standard
- DAfStb guideline on watertight concrete structures (Wasserundurchlässige Bauwerke aus Beton) – general regulations dealing with watertight concrete structures

## Determining the correct joint tape

### Assumed water level

The highest ground/artesian water level or flood level to be expected during the planned duration of use taking into account many years of observations and expected future conditions: the highest assumed water level.

(Source: German watertight concrete guideline)

### Joint type

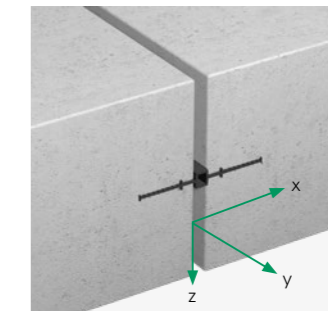
The type of joint tape is determined on the basis of the type of joint:

- Construction joint – Interior or exterior construction joint tape
- Movement joint – Interior or exterior expansion joint tape
- Joint end tape for sealing the surface of the joint at the same time

### Deformation stress

The deformation in movement joints affects the maximum water pressure that the joint tapes can withstand.

The resulting deformation can be determined as follows:



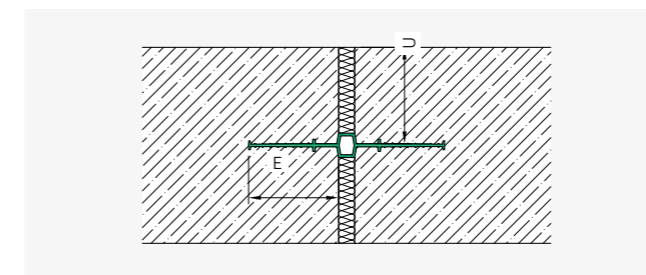
$$v_r = \sqrt{v_x^2 + v_y^2 + v_z^2}$$

$v_r$  = resulting deformation  
 $v_x$  = deformation in x axis  
 $v_y$  = deformation in y axis  
 $v_z$  = deformation in z axis

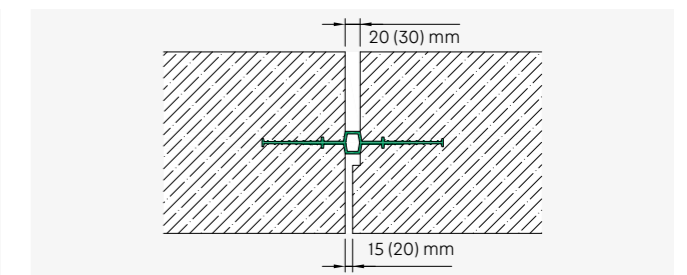
Calculation example on p. 67

Joint type	Usage	Type
Construction joints	No planned deformation	A, AA
	$v_r \leq 30$ mm	D, DA, FA
	$v_r \leq 35$ mm	DA, FA
Movement joints	$v_r \leq 40$ mm	FA
	No shear deformation	D, DA
Compression joints		

### Joint tape width and compression limit



Interior joint tapes should roughly correspond to the component thickness and be positioned centrally in the component. The anchoring depth (E) must not exceed the cover (U).



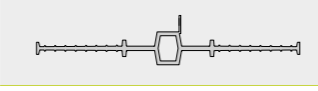
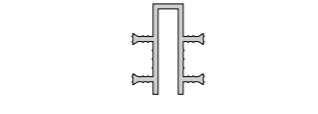
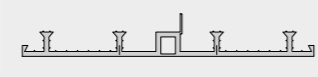
Stepped joints prevent the expansion chamber in joint tapes from being compressed when the joint undergoes extreme deformation.

## Construction notes

### Nominal joint width

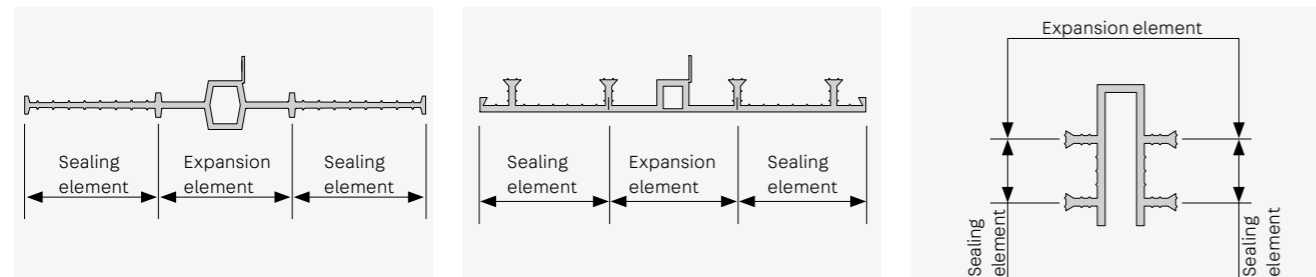
This table shows the following maximum permitted joint widths for standard joint tapes:

Special joint tapes are also available in coordination with our Application Technology department.

Joint tape	Type	Joint width
	D	20 - 30 mm
	FA	20 - 30 mm
	DA	20 mm

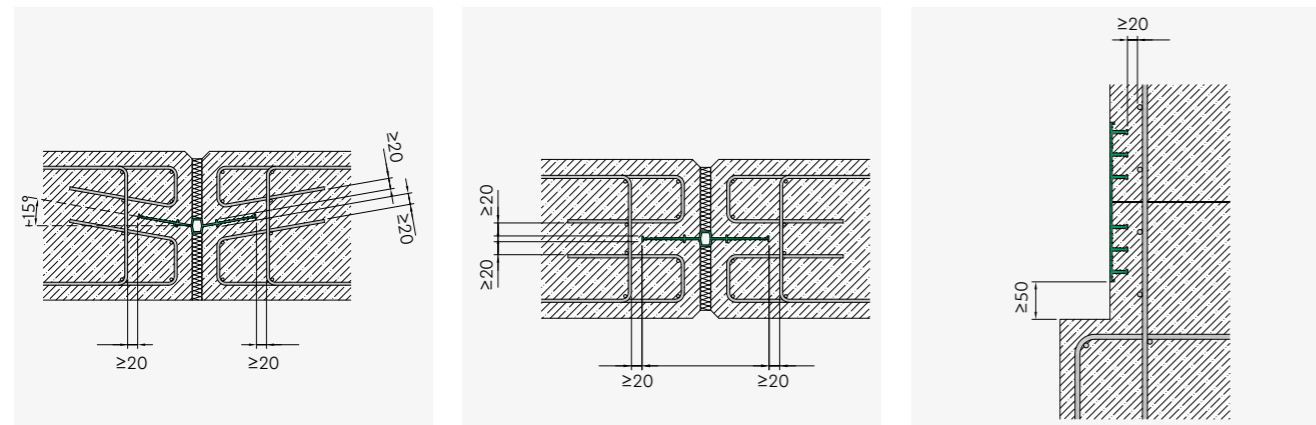
### Functional areas

In terms of function, joint tapes are divided into sealing elements and expansion elements.



### Edge clearances

- Distance from edge to static reinforcement  $\geq 20$  mm
- Distance from edge to grooves and borders  $\geq 50$  mm



Interior expansion joint tape in a floor slab bent at an angle of 15° – distance to static reinforcement.

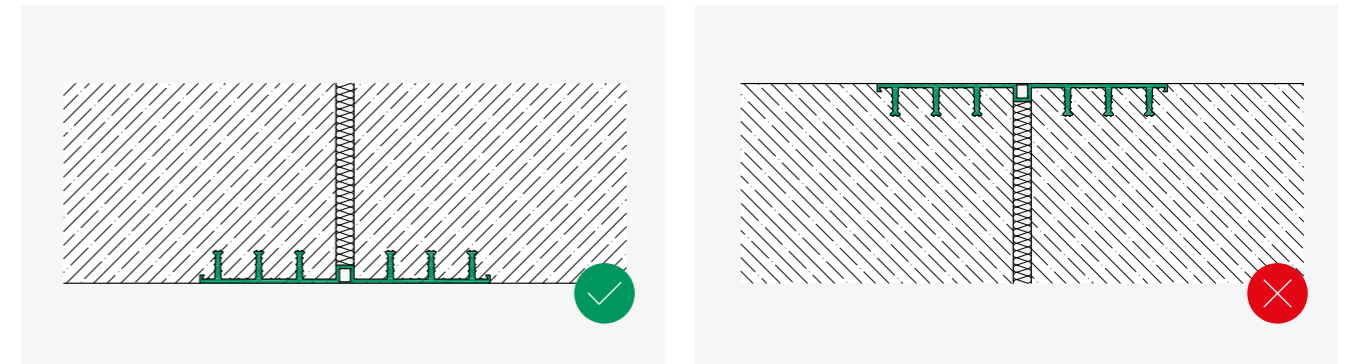
Interior expansion joint tape in a wall – distance to static reinforcement.

Exterior construction joint tape in a wall – distance to offset  $\geq 50$  mm.

## Construction notes

H2 hier entfernen?

### Arrangement of exterior joint tapes






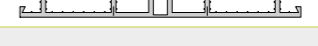

In general, exterior joint tapes should be placed on the positive side of the component (facing the water under pressure). In floor/floor joints, exterior joint tapes must always be positioned on the underside.

Casting concrete below the tape is not permitted.

### Changing the direction of the joint

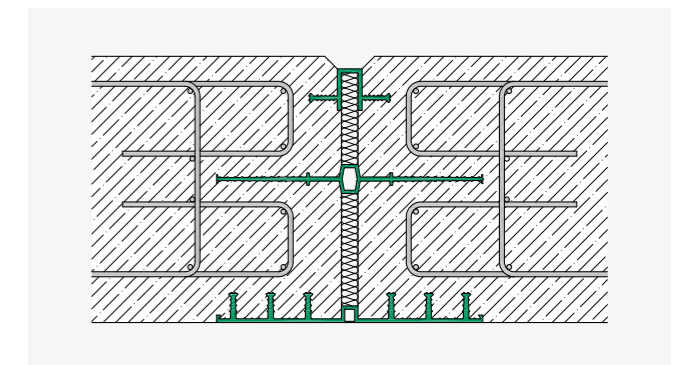
As a rule, corners should be created by using formed parts (see p. 56). Alternatively, they can be formed by

bending the joint tape, but always observing the following bending radii.

Joint tape type		Bending radius
Interior	Construction joint tapes (type A)	 $\geq 15$ cm
Interior	Expansion joint tapes (type D)	 $\geq 25$ cm
Exterior	Construction joint tapes (type AA)	 $\geq 50 \times$ stop anchor height
Exterior	Expansion joint tapes (type DA)	 $\geq 50 \times$ stop anchor height
Joint end tapes	Joint closing tapes (type FA)	 $\geq 30 \times$ stop anchor height (bend around the x axis)
Joint end tapes	Joint closing tapes (type FA)	$\geq 30 \times$ profile width (bend around the y axis)

### Protecting the joint

Joint filler plates are used to protect the movement joint and the joint tape centre hose during casting. The joint is protected against contamination by the joint end tape.





# Joint tape selection

In line with DIN 18197

## Interior expansion joint tapes

p bar	p m	v <sub>r</sub> mm						
		0	5	10	15	20	25	30
0.000	0.00	D240 DIN	D240 DIN	D240 DIN	D240 DIN	D240 DIN	D320 DIN	D500 DIN
0.100	1.00	D240 DIN	D240 DIN	D240 DIN	D240 DIN	D320 DIN	D500 DIN	
0.200	2.00	D240 DIN	D240 DIN	D240 DIN	D240 DIN	D320 DIN	D500 DIN	
0.300	3.00	D240 DIN	D240 DIN	D240 DIN	D320 DIN	D320 DIN	D500 DIN	
0.400	4.00	D320 DIN	D320 DIN	D320 DIN	D320 DIN	D320 DIN	D500 DIN	
0.500	5.00	D320 DIN	D320 DIN	D320 DIN	D320 DIN	D320 DIN		
0.600	6.00	D320 DIN	D320 DIN	D320 DIN	D320 DIN	D500 DIN		
0.700	7.00	D320 DIN	D320 DIN	D320 DIN	D320 DIN	D500 DIN		
0.800	8.00	D320 DIN	D320 DIN	D320 DIN	D320 DIN	D500 DIN		
0.900	9.00	D320 DIN	D320 DIN	D320 DIN	D320 DIN			
1.000	10.00	D320 DIN	D320 DIN	D320 DIN	D320 DIN			
1.100	11.00	D500 DIN	D500 DIN	D500 DIN	D500 DIN			
1.200	12.00	D500 DIN	D500 DIN	D500 DIN	D500 DIN			

v<sub>r</sub> = resulting deformation, P = water pressure

# Joint tape selection

In line with DIN 18197

H1 und H3 hier entfernen?

## Interior construction joint tapes

p bar	p m	v <sub>r</sub> mm
		0
0.540	5.40	A240 DIN
1.800	18.00	A320 DIN
2.160	21.60	A500 DIN

v<sub>r</sub> = resulting deformation, P = water pressure

### Example of dimensions D320 DIN

#### Requirements

- 300 mm component thickness
- 20 mm interior expansion joint
- 4 m standing water
- 8 mm deformation in x direction
- 1 mm deformation in Y direction
- 5 mm deformation in z direction

#### Calculation

$$v_r = \sqrt{v_x^2 + v_y^2 + v_z^2}$$

$$= \sqrt{8^2 + 1^2 + 5^2}$$

$$= 10 \text{ mm}$$

#### Calculate for the selection diagrams:

- Interior joint tapes: joint tape width < component thickness (exception: 320 mm joint tape width with 300 mm component thickness)
- v<sub>r</sub> = 10 mm boundary condition
- v<sub>r</sub> ≤ 30 mm for interior expansion joint tapes

Condition met ✓

# Joint tape selection

H1 und H3 hier entfernen?

In line with DIN 18197

## Exterior construction and expansion joint tapes

p bar	p m	v <sub>r</sub> mm					
		0	0	5	10	15	20
0.000	0.00	AA240/20 DIN	DA240/20 DIN	DA240/20 DIN	DA240/20 DIN	DA240/20 DIN	DA240/20 DIN
0.100	1.00	AA240/35 DIN	DA240/35 DIN	DA240/35 DIN	DA240/35 DIN	DA240/35 DIN	DA240/35 DIN
0.200	2.00	AA240/35 DIN	DA240/35 DIN	DA240/35 DIN	DA240/35 DIN	DA240/35 DIN	DA240/35 DIN
0.300	3.00	AA320/25 DIN	DA320/25 DIN	DA320/25 DIN	DA320/25 DIN	DA320/25 DIN	DA320/25 DIN
0.400	4.00	AA320/35 DIN	DA320/35 DIN	DA320/35 DIN	DA320/35 DIN	DA320/35 DIN	DA320/35 DIN
0.500	5.00	AA320/35 DIN	DA320/35 DIN	DA320/35 DIN	DA320/35 DIN	DA320/35 DIN	DA320/35 DIN
0.600	6.00	AA320/35 DIN	DA320/35 DIN	DA320/35 DIN	DA320/35 DIN	DA320/35 DIN	DA320/35 DIN
0.700	7.00	AA320/35 DIN	DA320/35 DIN	DA320/35 DIN	DA320/35 DIN	DA320/35 DIN	DA320/35 DIN
0.800	8.00	AA500/35 DIN	DA500/35 DIN	DA500/35 DIN	DA500/35 DIN	DA500/35 DIN	DA500/35 DIN
0.900	9.00	AA500/35 DIN	DA500/35 DIN	DA500/35 DIN	DA500/35 DIN	DA500/35 DIN	DA500/35 DIN
1.000	10.00	AA500/35 DIN	DA500/35 DIN	DA500/35 DIN	DA500/35 DIN	DA500/35 DIN	DA500/35 DIN

v<sub>r</sub> = resulting deformation, P = water pressure | Continued on next page

# Joint tape selection

H1 und H3 hier entfernen?

In line with DIN 18197

## Exterior construction and expansion joint tapes

p bar	p m	v <sub>r</sub> mm		
		25	30	35
0.000	0.00	DA240/35 DIN	DA320/35 DIN	DA500/35 DIN
0.100	1.00	DA320/25 DIN	DA500/35 DIN	
0.200	2.00	DA320/35 DIN	DA500/35 DIN	
0.300	3.00	DA320/35 DIN	DA500/35 DIN	
0.400	4.00	DA500/35 DIN		
0.500	5.00	DA500/35 DIN		
0.600	6.00	DA500/35 DIN		

v<sub>r</sub> = resulting deformation, P = water pressure

# Joint tape selection

H1 und H3 hier entfernen?

In line with DIN 18197

## Joint end tapes

p bar	p m	v <sub>r</sub> mm					
		0	5	10	15	20	25/30/35/40
0.000	0.00	FA70/40 DIN	FA70/40 DIN	FA70/40 DIN	FA70/40 DIN	FA70/40 DIN	FA70/40 DIN
0.100	1.00	FA90/20 DIN	FA90/20 DIN	FA90/20 DIN	FA90/20 DIN	FA90/20 DIN	
0.200	2.00	FA130/20 DIN	FA130/20 DIN	FA130/20 DIN	FA130/20 DIN	FA130/20 DIN	
0.300	3.00	FA130/20 DIN	FA130/20 DIN	FA130/20 DIN	FA130/20 DIN	FA130/20 DIN	

v<sub>r</sub> = resulting deformation, P = water pressure

# Joint tape selection

H1 hier entfernen?

In line with factory standard

## Interior expansion joint tapes

p bar	p m	v <sub>r</sub> mm						
		0	5	10	15	20	25	30
0.000	0.00	D150	D150	D150	D190	D240	D320	D500
0.010	0.10	D150	D150	D150	D190	D320	D500	
0.100	1.00	D150	D150	D150	D190	D320	D500	
0.140	1.40	D190	D190	D190	D240	D320	D500	
0.255	2.55	D240	D240	D240	D320	D320	D500	
0.850	8.50	D320	D320	D320	D320			
1.020	10.20	D500	D500	D500	D500			

v<sub>r</sub> = resulting deformation, P = water pressure

## Interior construction joint tapes

p bar	p m	v <sub>r</sub> mm
		0
0.010	0.10	A100
0.100	1.00	A150
0.140	1.40	A190
0.459	4.59	A240
1.530	15.30	A320
1.836	18.36	A500

v<sub>r</sub> = resulting deformation, P = water pressure

# Joint tape selection

H1 und H3 hier entfernen?

In line with factory standard

## Exterior construction and expansion joint tapes

p bar	p m										V <sub>r</sub> mm
		0	0	5	10	15	20	25	30	35	
0.000	0.00	AA190/17	DA190/17	DA190/17	DA190/17	DA190/17	DA240/20	DA240/35	DA320/35	DA500/35	
0.140	1.40	AA190/17	DA190/17	DA240/35	DA240/35	DA240/35	DA240/35	DA320/35	DA500/35		
0.150	1.50	AA240/20	DA240/20	DA240/35	DA240/35	DA240/35	DA240/35	DA320/35	DA500/35		
0.170	1.70	AA240/35	DA240/35	DA240/35	DA240/35	DA240/35	DA240/35	DA320/35	DA500/35		
0.200	2.00	AA320/20	DA320/20	DA320/25	DA320/25	DA320/25	DA320/25	DA320/35	DA500/35		
0.255	2.55	AA320/25	DA320/25	DA320/25	DA320/25	DA320/25	DA320/25	DA320/35	DA500/35		
0.595	5.95	AA320/35	DA320/35	DA320/35	DA320/35	DA320/35	DA320/35				
0.850	8.50	AA500/35	DA500/35	DA500/35	DA500/35	DA500/35	DA500/35				

V<sub>r</sub> = resulting deformation, P = water pressure

# Joint tape selection

H1 und H3 hier entfernen?

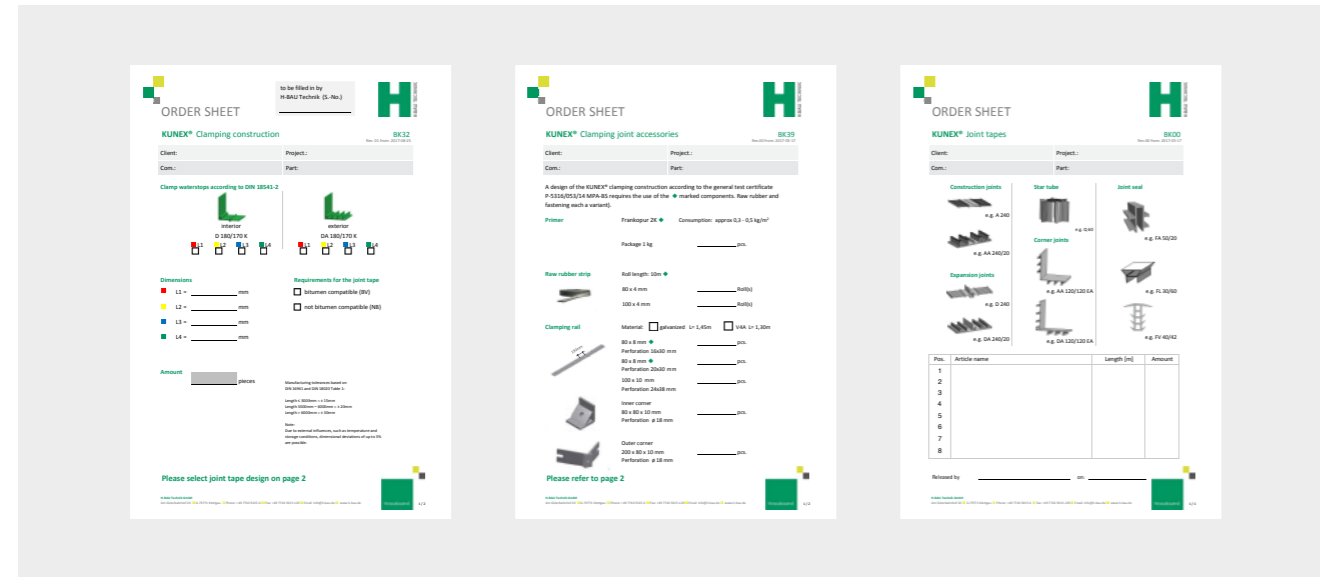
In line with factory standard

## Joint end tapes

p bar	p m											V <sub>r</sub> mm
		0	5	10	15	20	25	30	35	40		
0.000	0.00	FA50/20	FA50/20	FA50/20	FA50/20	FA50/20						
0.000	0.00	FA50/30	FA50/30	FA50/30	FA50/30	FA50/30	FA50/30	FA50/30				
0.000	0.00	FA70/40	FA70/40	FA70/40	FA70/40	FA70/40	FA70/40	FA70/40	FA70/40	FA70/40	FA70/40	FA70/40
0.085	0.85	FA90/20	FA90/20	FA90/20	FA90/20	FA90/20						
0.085	0.85	FA95/30	FA95/30	FA95/30	FA95/30	FA95/30						
0.255	2.55	FA130/20	FA130/20	FA130/20	FA130/20	FA130/20						

V<sub>r</sub> = resulting deformation, P = water pressure

# Order sheets



Download order sheets from our homepage for better planning and construction:

[www.h-bau.de/downloads](http://www.h-bau.de/downloads)

You can use this order form to enter your order on screen easily and conveniently, save it and send it to us by email, fax or letter.

We would also be happy to take your enquiries and orders personally by telephone

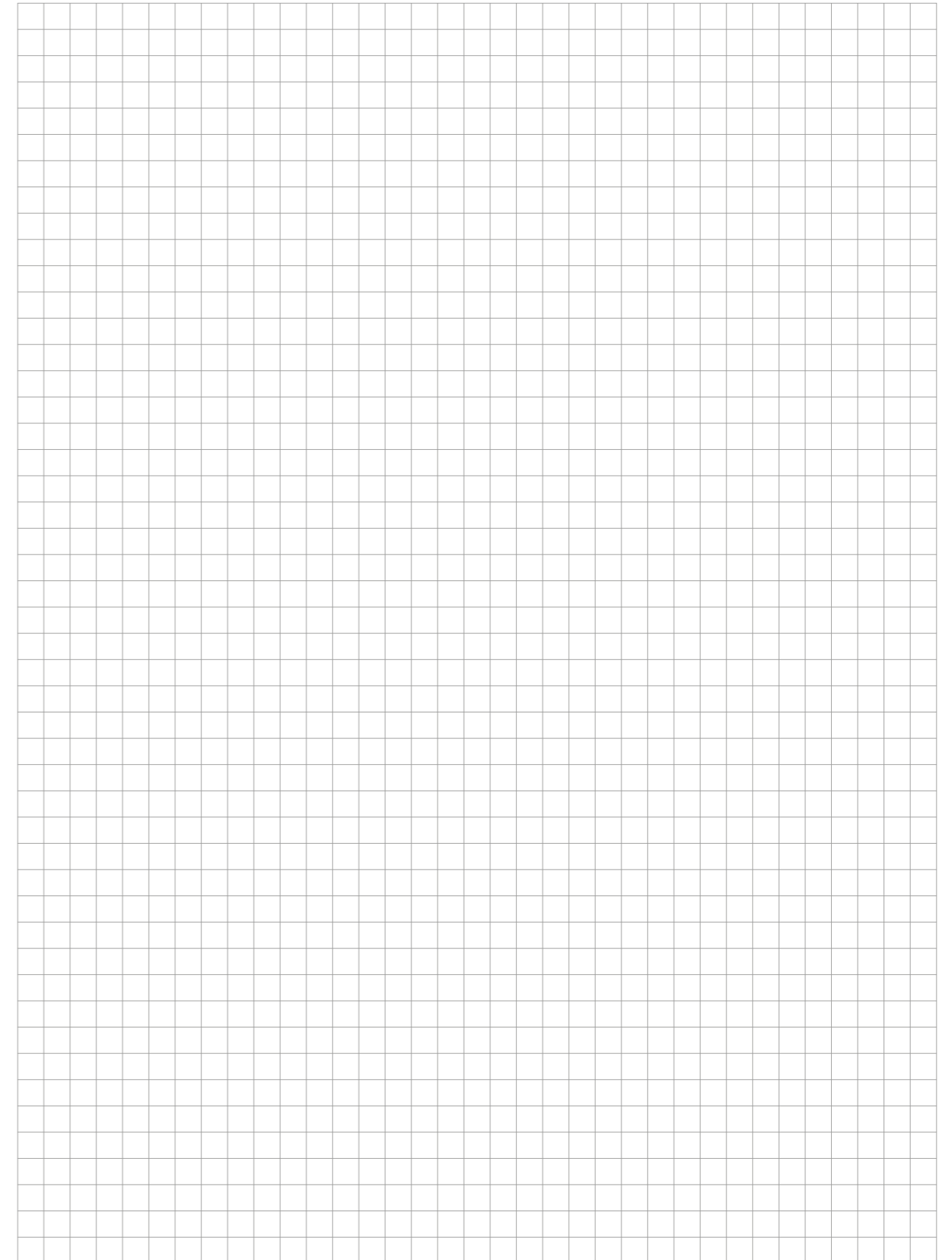
Our Application Technology department will be happy to assist you with further solutions.

T +49 7742 9215-300  
technik@h-bau.de

Our intuitive **Online-Tool FLEXSELECT** helps you to find the perfect sealing solution in just a few minutes.

[www.h-bau.de/digitale-loesungen/software](http://www.h-bau.de/digitale-loesungen/software)

Step by step, it asks for the basic parameters of your project and gives you an overview of suitable products.



# Our synergy concept for your benefit

**With us, you benefit from the collective experience of three established manufacturers, who combine products and expertise in a comprehensive range. That is the PohlCon synergy concept.**



#### **Full-service consulting**

Our extensive network of consultants is available to answer all your questions about our products on site. From planning to use, you can enjoy personal support from our qualified employees.



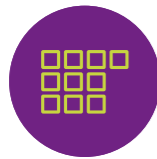
#### **Digital solutions**

Our digital solutions provide targeted support in planning with our products. From tender texts to CAD details and BIM data, right through to modern software solutions, we offer customized support for your planning process.



#### **7 fields of application**

We think in terms of holistic solutions. This is why we have combined our products into seven fields of application, where you can benefit from their synergy and the overall PohlCon product portfolio.



#### **10 product categories**

In order to find the right product in our extensive range even faster, we have divided our products into ten product categories. This way you can navigate unerringly between our products.



#### **Individual solutions**

No series product on the market is suitable for your project? We realize unique construction projects and exceptional challenges with the many years of expertise of the three manufacturing brands.



Errors and technical changes reserved. Reprinting and any electronic reproduction only authorised with our written permission. All previous documents lose their validity with the publication of this printed matter.

**PohlCon GmbH**

Nobelstr. 51  
12057 Berlin  
Germany

T +49 30 68283-04  
F +49 30 68283-383

[www.pohlcon.com](http://www.pohlcon.com)