

# PENTAFLEX®

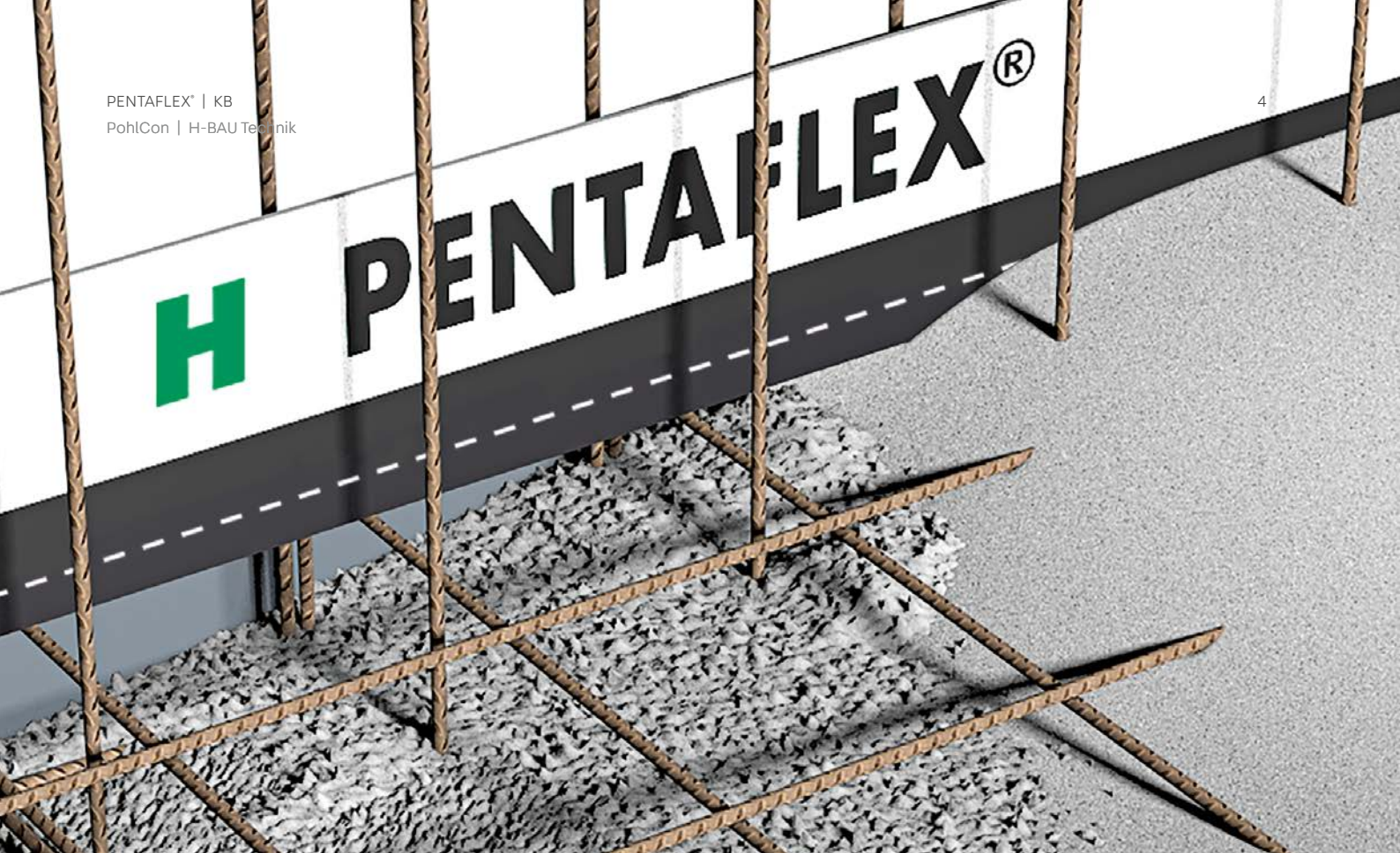
Technical information





# Table of contents

<b>PENTAFLEX®</b>	<b>4</b>	<b>Design and construction</b>	<b>48</b>
KB	4	<b>Service</b>	<b>54</b>
Modul	10	Our synergy concept for your benefit	54
FBA	20		
ABS	22		
OBS	30		
FTS	34		
STK	38		
Pipe lead-through	42		
OPTI wall strengthener	46		



# PENTAFLEX KB®

## Joint sheet for sealing construction joints

### The product

PENTAFLEX KB® elements are fully coated on both sides with a special coating. The bond between the special coating and the fresh concrete reliably prevents water from infiltrating the joint system. An anchoring depth of 30 mm is enough to withstand water pressure of up to 5.0\* bar. The high elasticity of the coating maintains a reliable seal if concrete components shrink. The individual elements are 2.00 m long and 167 mm or 80 mm high. They are covered on both sides by a split protective film that is only removed immediately before pouring the concrete.

### Area of application

PENTAFLEX® can be used in all horizontal and vertical construction joints subject to water under pressure and water not under pressure:

- Construction joints in wall/base or wall/ceiling areas subject to water under pressure and not under pressure
- Construction joints in wall/wall or floor/floor areas subject to water under pressure and not under pressure

The PENTAFLEX® sealing system is suitable for use in structures of stress class 1 and usage class A in line with the German watertight structure guideline.

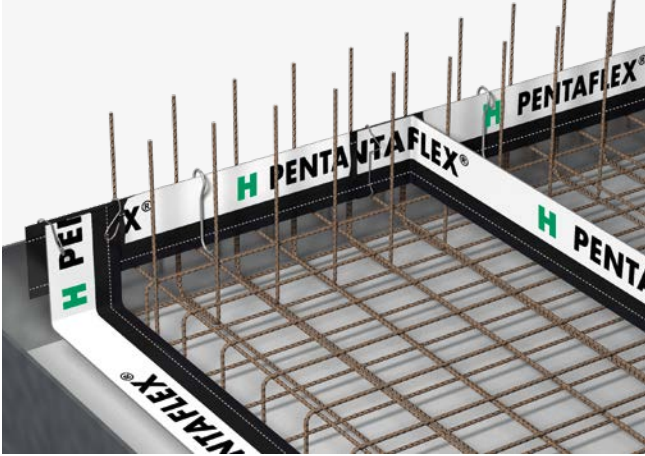


### Benefits

- Approved for use in Europe with ETA-15/0003
- General building code test certificate P-5120/231/09 MPA-BS
- CE mark
- Tested for watertightness up to 5.0\* bar
- Guide marking for continuous monitoring of correct installation
- Simple and reliable connection of the individual elements and points of intersection
- No special tools or adhesive materials required

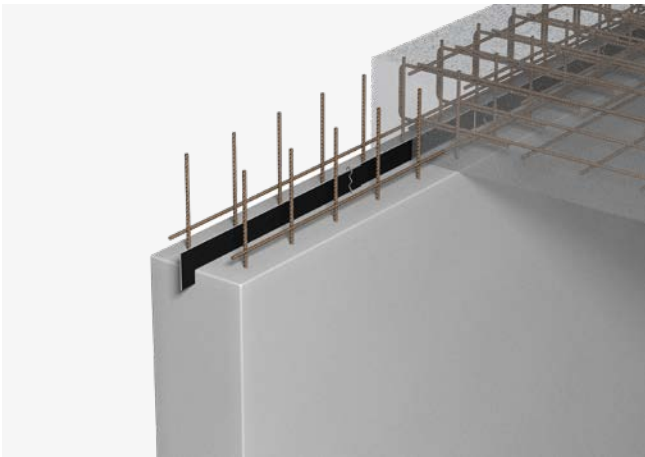
\* Tested to 5.0 bar, 2.0 bar authorised in line with ETA and abP (German building code test certificate) (safety factor of 2.5).

## Technical data



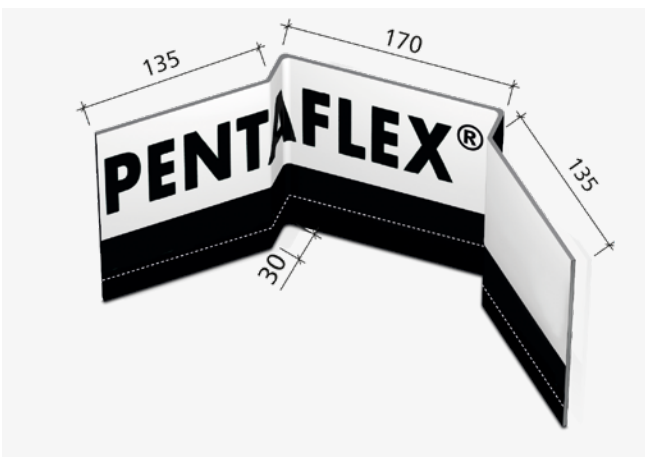
### PENTAFLEX KB® 167

- Individual elements made from fully coated, galvanised sheet steel
- Dimensions:
  - L = 2.0 m
  - W = 167 mm
  - Th = 1.2 mm
- Fixed to the reinforcements with one mounting stirrup per metre (see page 5)
- Anchoring depth:  $\geq 30$  mm
- Tested up to 5.0\* bar
- Application: construction joints in wall/base, wall/wall or floor/floor areas



### PENTAFLEX KB® 80

- Individual elements made from fully coated, galvanised sheet steel
- Dimensions:
  - L = 2.0 m
  - W = 80 mm
  - Th = 1.2 mm
- Fixed to the wall reinforcement with one mounting stirrup per metre (see page 5)
- Anchoring depth:  $\geq 30$  mm
- Tested up to 5.0\*\* bar
- Application: construction joints in wall/ceiling area



### PENTAFLEX KB® Corner

- Individual elements made from fully coated, galvanised sheet steel
- Installed by attaching joint clips to the pre-positioned PENTAFLEX KB®
- Resistant to water under pressure up to 5.0\* bar
- Application: Construction joint corners in combination with PENTAFLEX KB® and PENTAFLEX® FTS-Corner

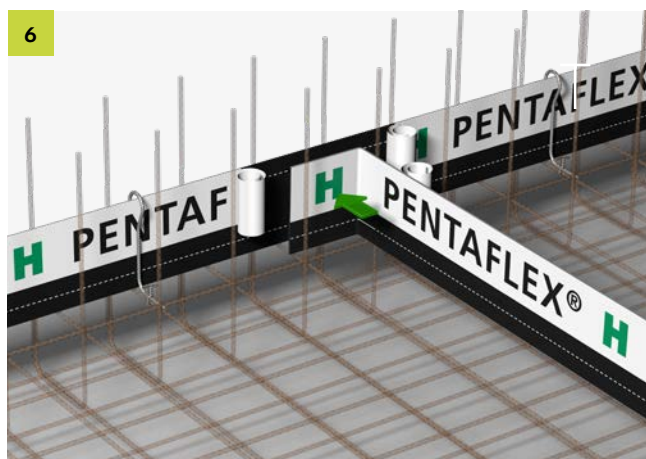
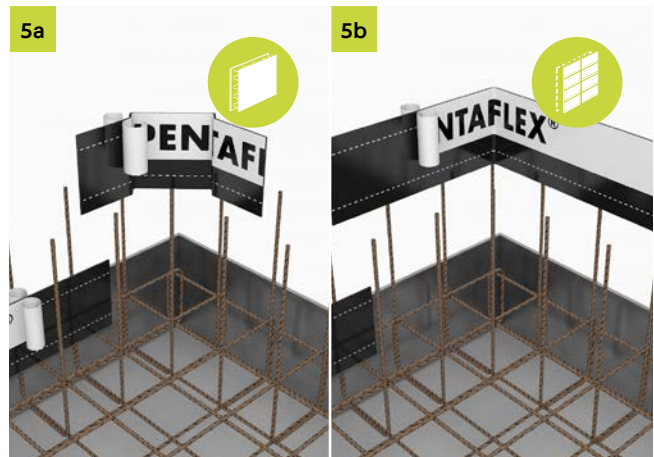
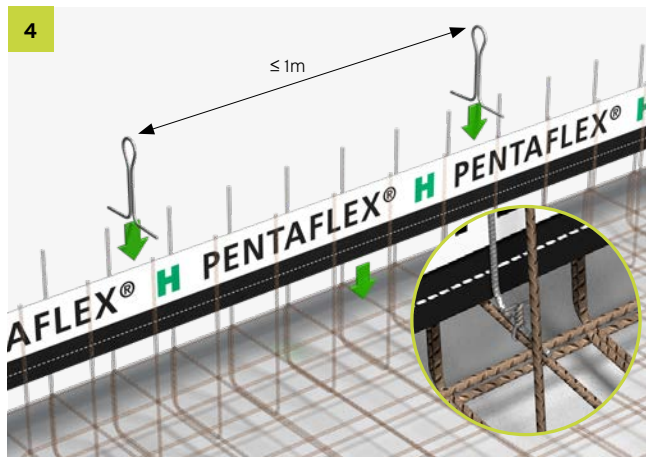
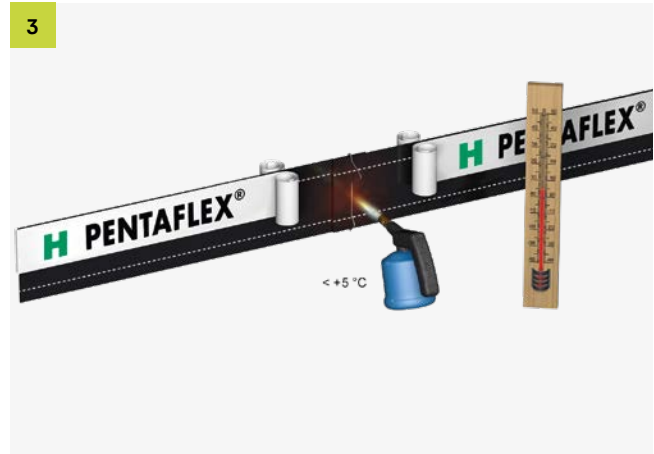
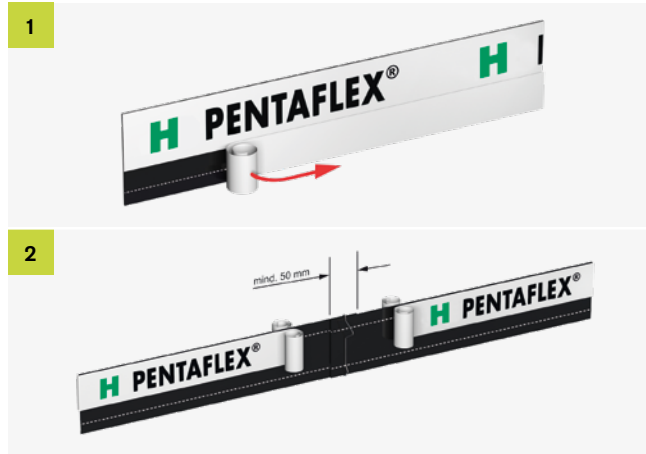
\* Tested to 5.0 bar; 2.0 bar permitted in line with abP (German building code test certificate), which corresponds to a safety margin of 2.5x the test pressure

\*\* Tested to 5.0 bar; due to the overall height of < 120 mm, only 1.0 bar of water pressure is permitted in line with abP (German building code test certificate)



# Installation instructions

## KB 167



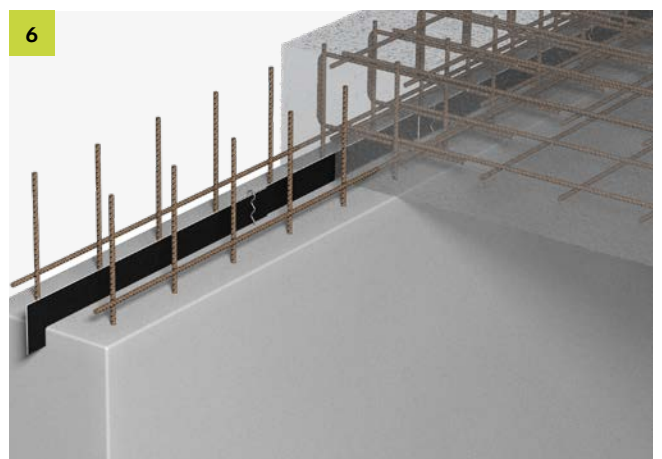
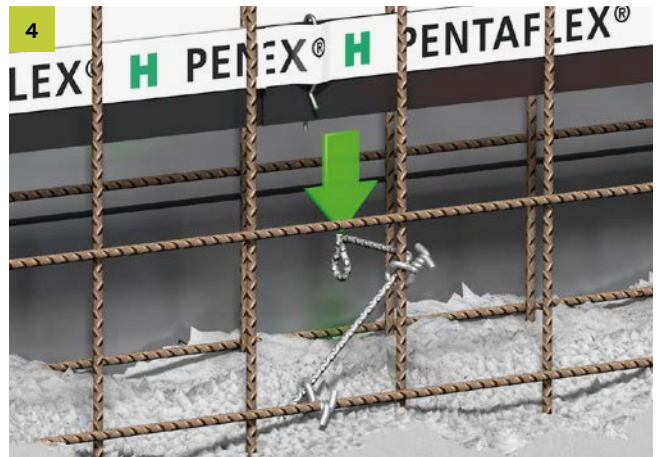
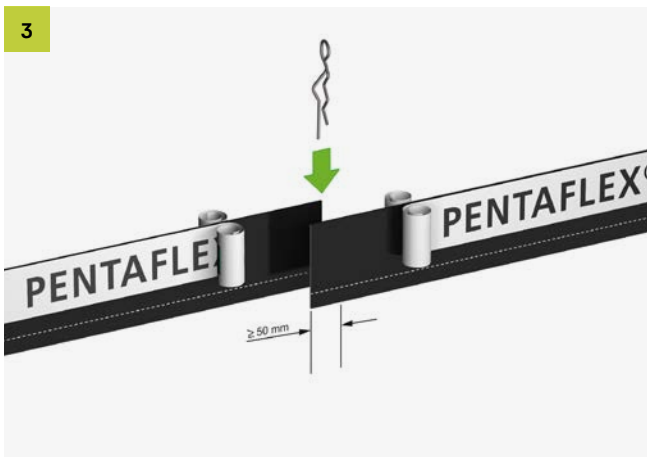
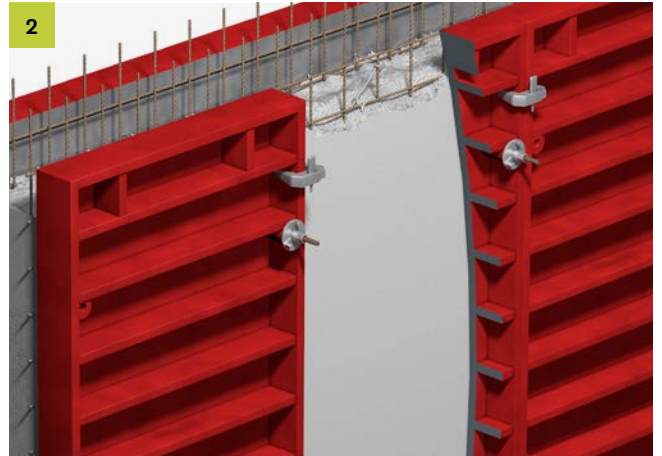
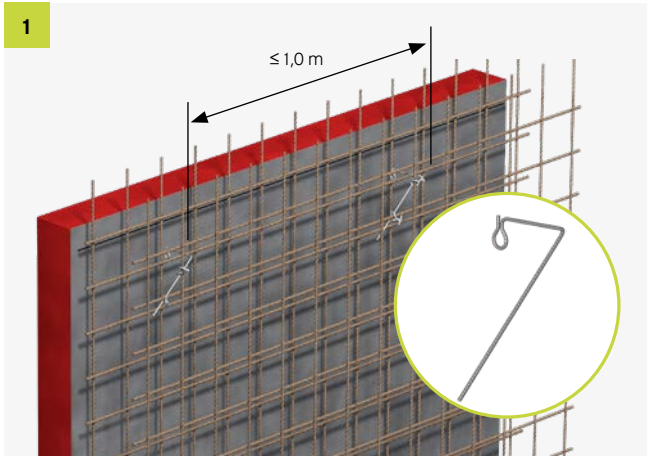
### Note on 4:

PENTAFLEX KB® must be attached to the reinforcement with at least one mounting stirrup per metre. PENTAFLEX KB® must be prevented from shifting or floating upwards while pouring the concrete.

### Note on 5a:

It is essential to use PENTAFLEX KB® Corner elements when building with element walls.

## KB 80



These installation and use instructions also apply accordingly to all PENTAFLEX KB® 80 applications.

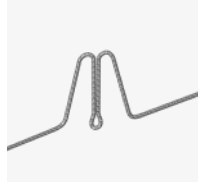
## Accessories

### PENTAFLEX® mounting stirrups



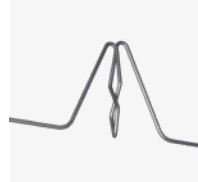
#### Omega stirrup

The Omega stirrup can be used in any application. It is used to fix PENTAFLEX® components securely to the top layer of reinforcement.



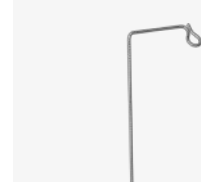
#### M-stirrup

PENTAFLEX KB® can be fixed to the top reinforcement layer even more quickly and easily using the M-stirrup.



#### Clamp stirrup

The spring steel clamp stirrups are designed to interlock with PENTAFLEX® elements. This joint system is free-standing on top of the reinforcement and is only fixed in place at specific points.



#### Stirrup KB 80

The stirrup KB 80 is designed for fixing PENTAFLEX® KB 80 elements in place in the area of wall/ceiling connections. It is tied to the inner mesh reinforcement with twists of wire.

### PENTAFLEX® clips



#### Joint clip 167

Every box of PENTAFLEX® contains an ample supply of joint clips. They are quick and easy to attach for fixing all straight joints of PENTAFLEX KB® elements in place.



#### Joint clip 80

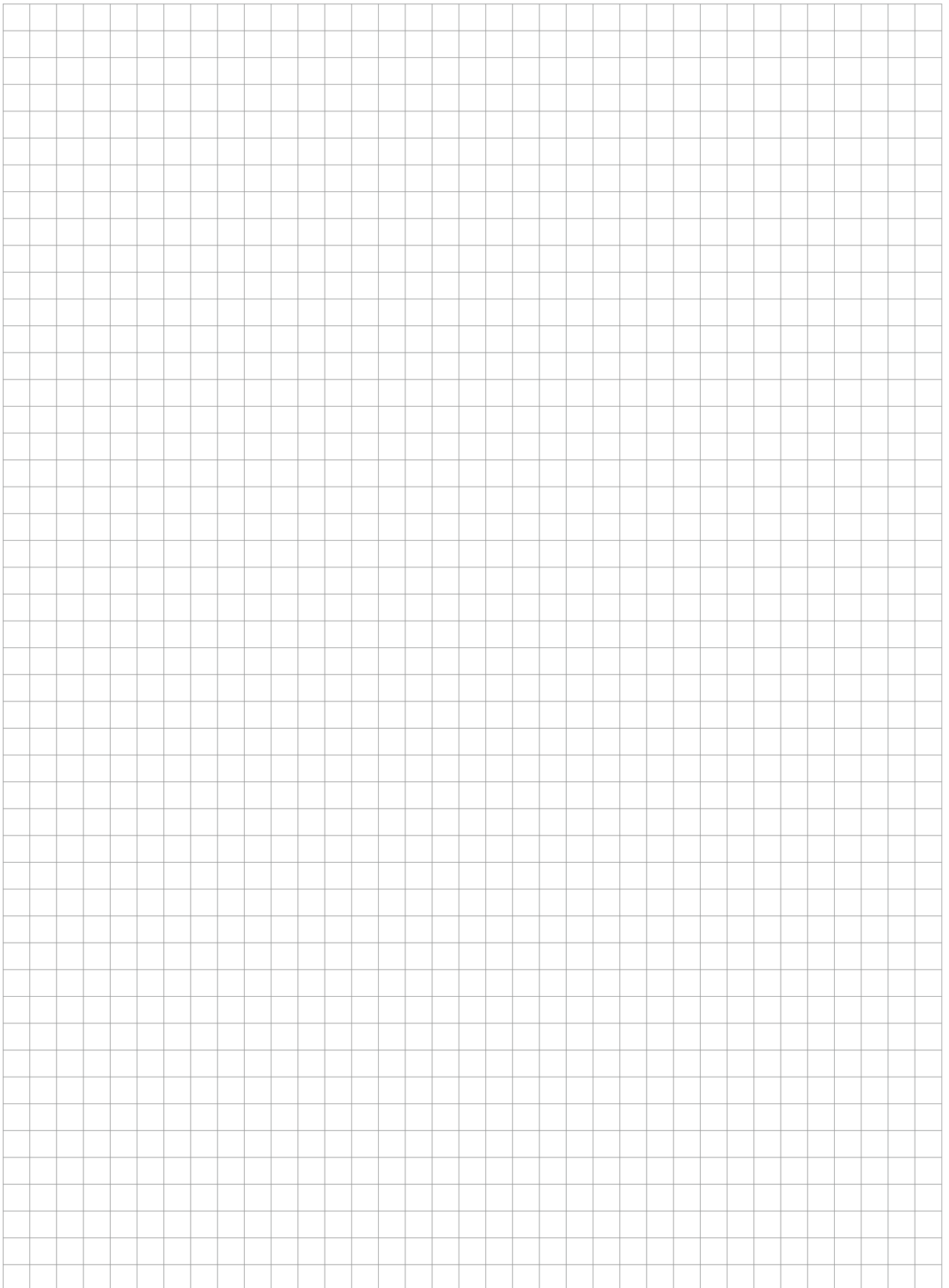
Every box of PENTAFLEX® contains an ample supply of joint clips. They are quick and easy to attach for fixing all straight joints of PENTAFLEX KB® 80 elements in place.



#### Cross clip

These clips secure joints in place mechanically. They are used to secure all intersection points.







# PENTAFLEX® Modul

Watertight reinforcement connector with tried-and-tested PENTAFLEX® technology

**NEW**  
with German  
building code  
test certificate  
(abP)

## The product

In combination with PENTAFLEX® Modul, two single-row FERBOX® rebend connectors become a watertight reinforcement connector. FERBOX® rebend connectors connect two reinforced concrete parts together statically or structurally. To seal the resulting construction joint and prevent water from leaking in through the joint, a further protective box and a PENTAFLEX® seam sheet - the PENTAFLEX® Modul - are installed between two single-row FERBOX® protective boxes. This guarantees the watertightness of construction joints with rebend connectors using tried-and-tested PENTAFLEX® technology.



## Benefits

- General building code test certificate P-5120/231/09 MPA-BS
- Watertight thanks to tried-and-tested PENTAFLEX® technology
- Permissible water pressure 0.75 bar in line with German building code test certificate (abP)
- Simple installation and further processing in combination with FERBOX® rebend connectors
- Fulfils all requirements of rebend connectors

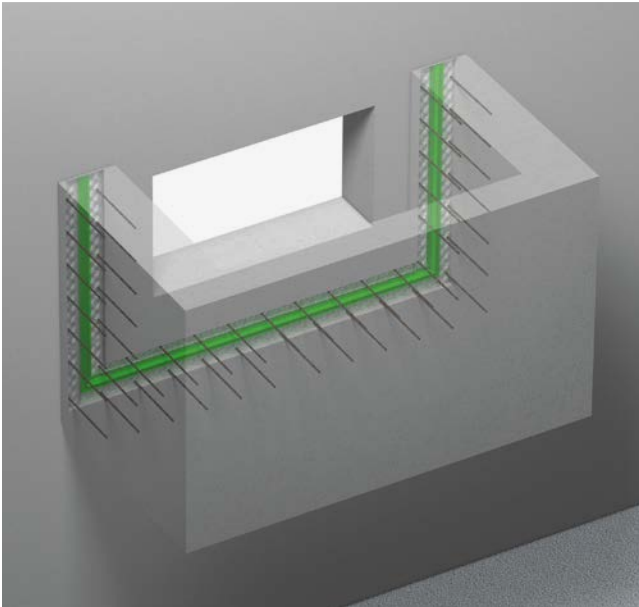
## Areas of application



The PENTAFLEX® Modul in combination with FERBOX® rebend connectors is the ideal solution wherever structural components have to be connected to form friction-locked and watertight connections. They can be used in industrial, commercial, residential or public building projects.

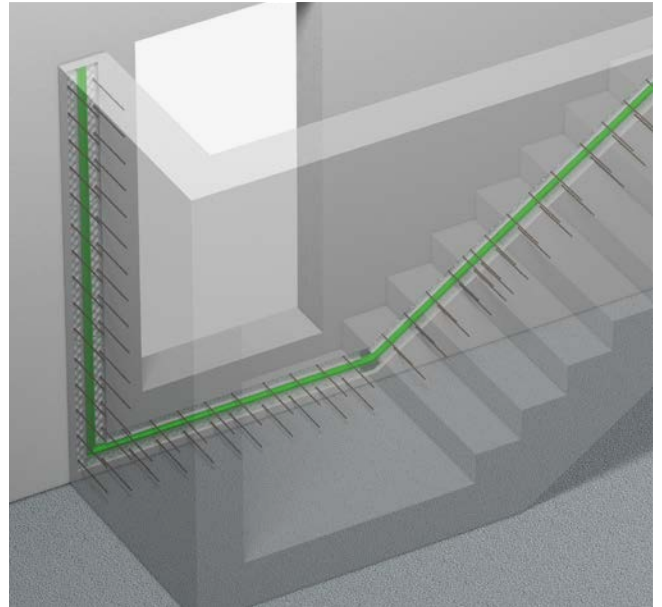
## Possible applications

### Light well / cellar wall



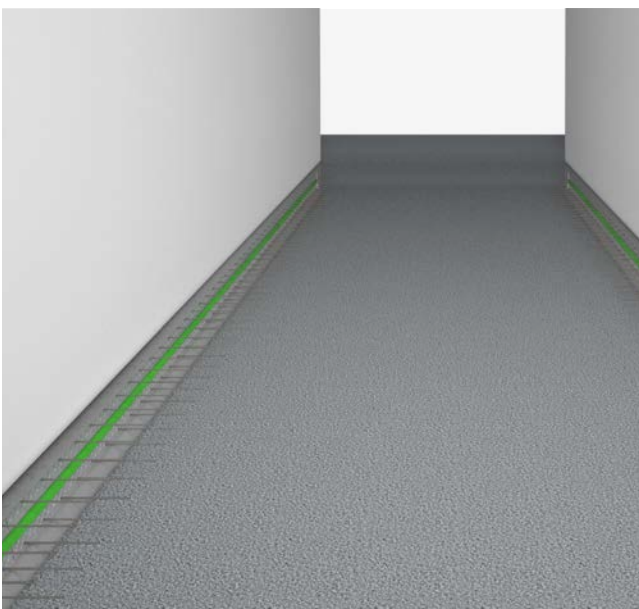
PENTAFLEX® Modul is ideal for sealing construction joints with continuous formwork, e.g. joints between light wells and cellar walls.

### Cellar stairs / cellar wall



Construction joints between cellar walls and cellar stairs can also be sealed against the ingress of water by using PENTAFLEX® Modul.

### Wall / floor slab ramp



It is essential to waterproof joints in parts of buildings below ground level, such as underground garages, to prevent the structure being damaged by the ingress of water.



Our Application Technology department would be happy to provide you with further information on individual installation situations.

T +49 7742 9215-300  
technik-hbau@pohlcon.de

# The perfect combination of FERBOX® and PENTAFLEX®

## The watertight rebend connector

### PENTAFLEX® seam sheet

PENTAFLEX® seam sheets are coated on both sides with a special coating. The bond between the special coating and the fresh concrete reliably prevents water infiltrating the joint system. The seam sheet is 60 mm high and has a split protective film 30 mm high on both sides, which is only removed immediately before pouring the concrete.

### Protective box

The dimensionally stable casing is 30 mm tall and contains the PENTAFLEX® seam sheet and two EPP filling strips. Both are removed after the first section has been cast.

### EPP filling strips

The two expanded polypropylene (EPP) strips are 30 mm high and are removed when the formwork is stripped from the first cast section.

### Nail flange

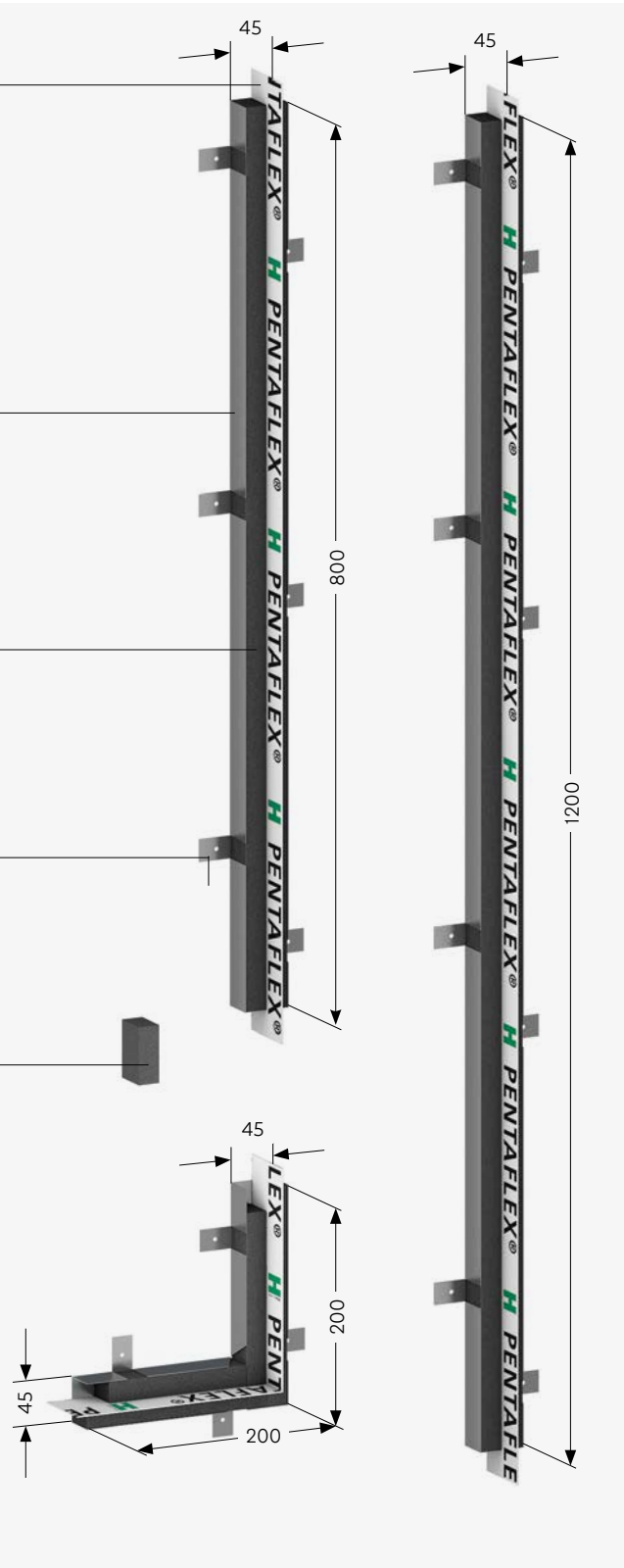
The nail flanges on the protective box are used to fasten it to the formwork.

### EPP stopper strips

When connecting PENTAFLEX® modules, the transitions are filled with EPP stopper strips after connecting the seam sheets.

### The range includes

- PENTAFLEX® Modul 1200
- PENTAFLEX® Modul 800
- PENTAFLEX® Modul Eck





## Basic information



### PENTAFLEX® Modul

- For combination with all single-row FERBOX® types: 2 x E01, 2 x E02, 2 x E03, EE
- Sealed by tried-and-tested PENTAFLEX® seam sheet 60 mm high
- Permissible water pressure 0.75 bar in line with German building code test certificate (abP)
- Seam sheet anchoring depth in line with German building code test certificate 30 mm
- Module length: 800 mm or 1200 mm, other lengths on request
- PENTAFLEX® Modul Eck as an addition for corner connections
- Multiple PENTAFLEX® Modul units can be overlapped and connected together by leaving a 50-mm PENTAFLEX® seam sheet overlap

### FERBOX®

- ETA-20/0842
- Reinforcement bars dia. 8/10/12/14 made from B500B rebar
- Stainless steel rebar available on request
- Nubbed protective box for interlocking joints in line with EC2
- Galvanised steel cover
- For dimensions, see FERBOX® technical information

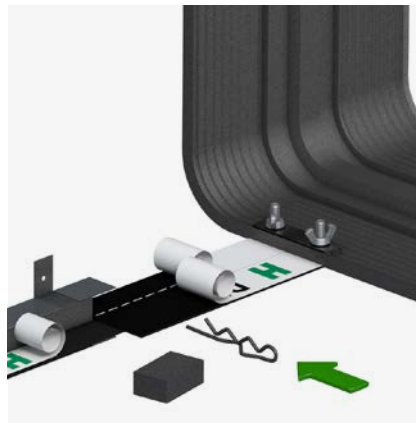


For further information on FERBOX®, see the technical information for FERBOX® rebend connectors.

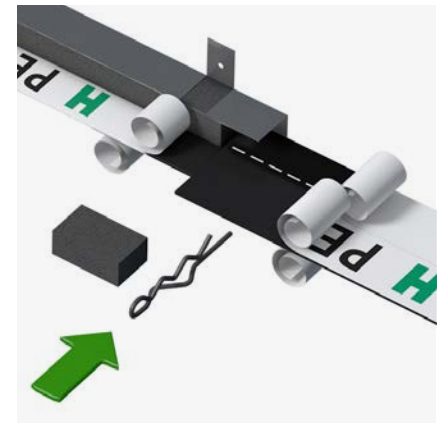
## Connection options



FBA KB 80 joint tape connection



Connection to KUNEX® joint tape

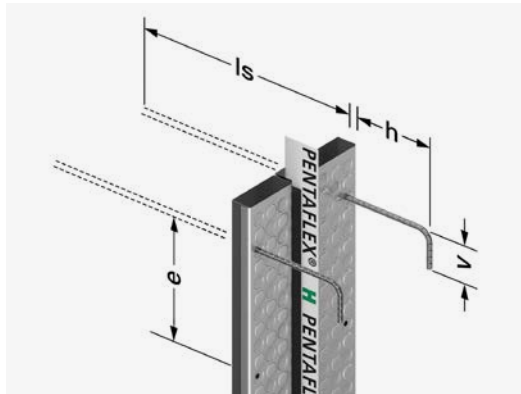


Connection to PENTAFLEX® KB

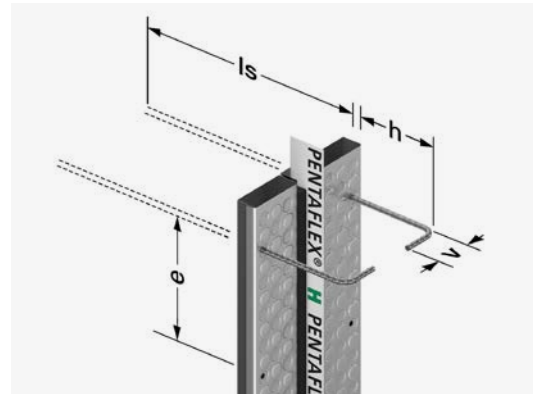
# Technical data

## Possible configurations with single-row FERBOX® rebend connectors

PENTAFLEX® Modul with 2 x type E01



PENTAFLEX® Modul with 2 x type E02



B mm	Dia./e mm	h mm	ls mm	v mm
60	8/100	100-600	150-210	75-90
	8/150		150-510	
	8/200		150-600	
	8/250		150-600	
	10/100	110-600	150-200	90-100
	10/150		150-390	
	10/200		150-510	
10/250		150-510		
85	8/100	100-600	150-430	75-90
	8/150		150-510	
	8/200		150-600	
	8/250		150-600	
	10/100	110-600	150-430	90-100
	10/150		150-510	
	10/200		150-600	
	10/250		150-600	
	12/100	120-600	200-430	110
	12/150		200-510	
12/200	200-600			
12/250	200-600			
110	10/100	110-600	150-500	90-100
	10/150		150-600	
	10/200		150-600	
	10/250		150-600	
	12/100	120-600	200-600	110
	12/150		200-600	
	12/200		200-600	
	12/250		200-600	
135	12/100	120-600	200-600	110
	12/150		200-600	
	12/200		200-600	
	12/250		200-600	

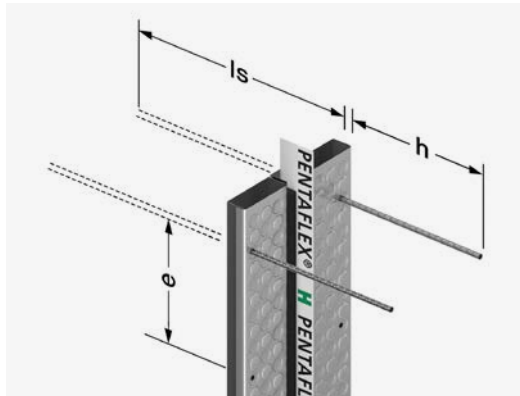
h mm	ls mm	v mm
100-600	150-210	90-600
	150-510	
	150-600	
	150-600	
110-600	150-200	90-600
	150-390	
	150-510	
	150-510	
100-600	150-430	90-600
	150-510	
	150-600	
	150-600	
110-600	150-430	90-600
	150-510	
	150-600	
	150-600	
120-600	200-430	110-600
	200-510	
	200-600	
	200-600	
110-600	150-500	100-600
	150-600	
	150-600	
	150-600	
120-600	200-600	110-600
	200-600	
	200-600	
	200-600	
120-600	200-600	110-600
	200-600	
	200-600	
	200-600	

B: Box width | dia.: Bar diameter | e: Bar spacing | h: Anchoring length | ls: Overlap length | v: Hook length

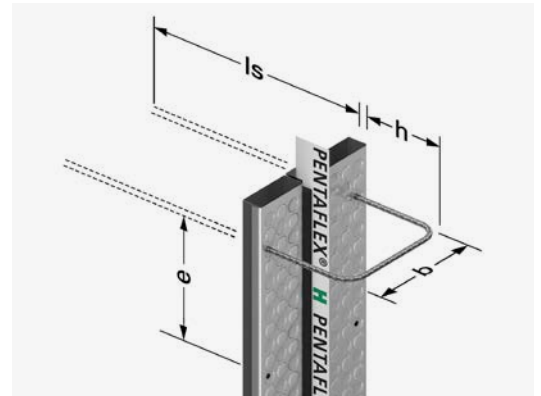


FERBOX® type designation,  
 see page 14

**PENTAFLEX® Modul with 2 x type E03**



**PENTAFLEX® Modul with 1 x type EE**



B mm	Dia./e mm	h mm	ls mm
60	8/100	150-600	150-210
	8/150		150-510
	8/200		150-600
	8/250		150-600
	10/100		150-200
	10/150		150-390
	10/200		150-510
	10/250		150-510
85	8/100	150-600	150-430
	8/150		150-510
	8/200		150-600
	8/250		150-600
	10/100		150-430
	10/150		150-510
	10/200	150-600	
	10/250	150-600	
	12/100	200-600	200-430
	12/150		200-510
	12/200		200-600
	12/250		200-600
10/100	150-600		150-500
10/150			150-600
10/200		150-600	
10/250		150-600	
12/100		200-600	200-600
12/150			200-600
12/200	200-600		
12/250	200-600		

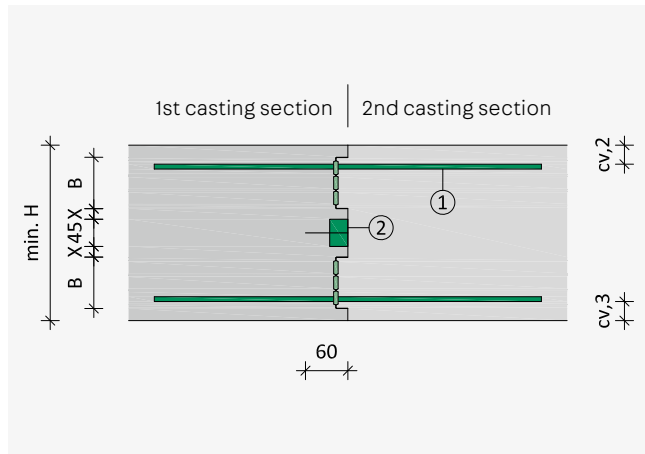
b mm	h mm	ls mm	
140-500	100-300	200-210	
		200-510	
		200-600	
		200-600	
		200-600	
-	-	-	
140-500	110-300	300-390	
		300-510	
		300-510	
		300-510	
190-500	100-300	200-430	
		200-510	
		200-600	
		200-600	
	190-500	110-300	300-430
			300-510
			300-600
			300-600
-	-	-	
190-500	120-300	360-510	
		360-600	
		360-600	
		360-600	
-	-	-	
240-500	120-300	360-600	
		360-600	
		360-600	
		360-600	
		360-600	
		360-600	
290-500	120-300	360-600	
		360-600	
		360-600	
		360-600	

B: Box width | dia.: Bar diameter | e: Bar spacing | h: Anchoring length | ls: Overlap length | b: Stirrup width

# Planning notes

## Determine the minimum component thickness

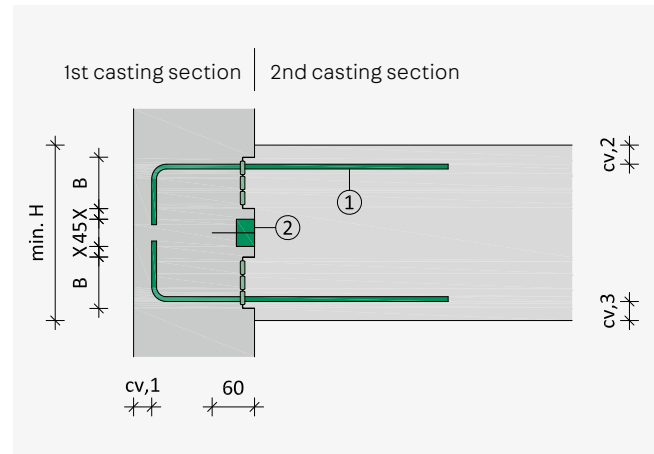
### Straight connection (e.g. wall/wall)



#### Minimum component thickness

$$\text{min. } H = cv,2 + cv,3 + 2 \times B + 45 - 25 + 15$$

### Right-angle connection (e.g. light well)



#### Minimum component thickness

$$\text{min. } H = cv,2 + cv,3 + 2 \times B + 45 - 25$$

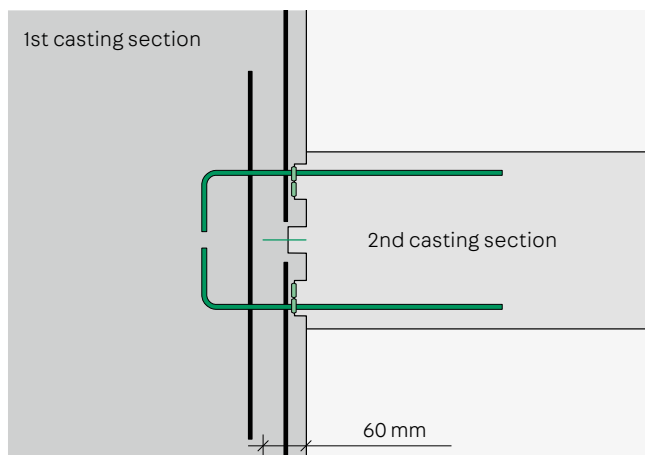
- min. H    minimum component thickness (mm)
- B        box width FERBOX® (mm)
- cv,1     concrete layer 1st casting section (mm), not relevant for determining min. H
- cv,2     concrete layer (mm)
- cv,3     concrete layer (mm)
- X        Spacing between FERBOX® protective box and PENTAFLEX® Modul, at min. H, X = 0 mm



The PENTAFLEX® Modul protective box is 45 mm wide. It is not absolutely necessary to leave a space (X) between the FERBOX® and PENTAFLEX® Modul.

## Adjacent component reinforcement

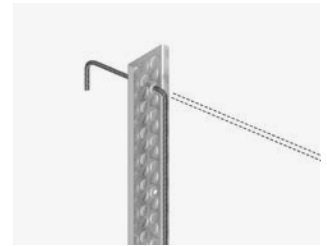
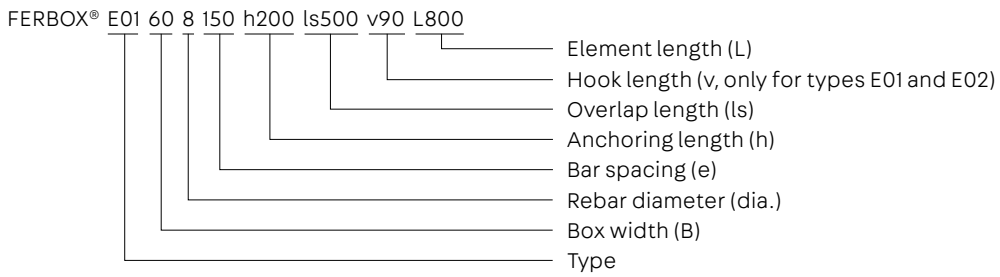
### Example



As the PENTAFLEX® seam sheet is 60 mm high, it may not be possible for the component reinforcement to pass through the construction joint. It is advisable to make the crossing reinforcement in two parts and to provide an extension if required.

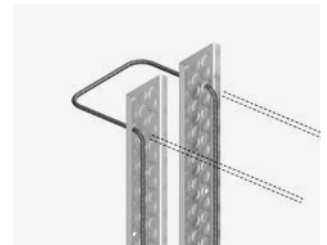
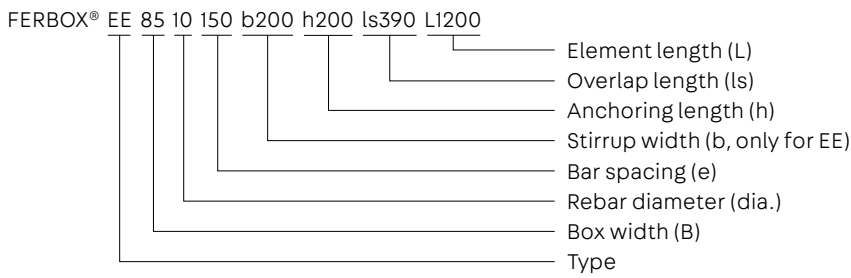


**Example FERBOX® type designation**



Example FERBOX® type E01

**Example FERBOX® type designation**



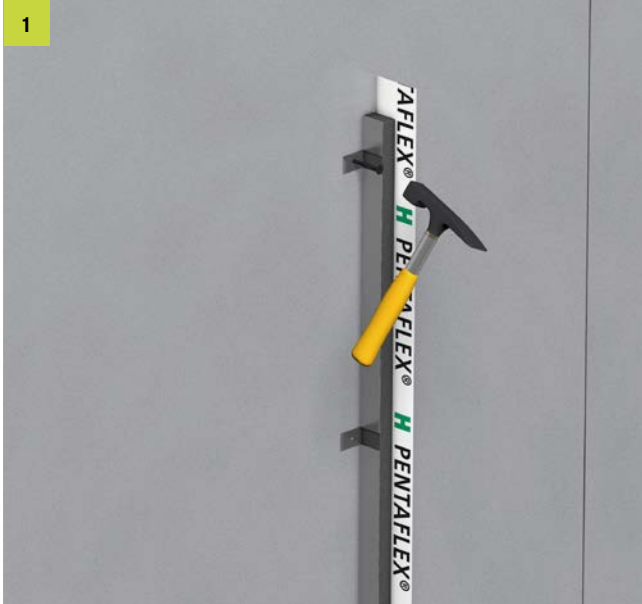
Example FERBOX® type EE



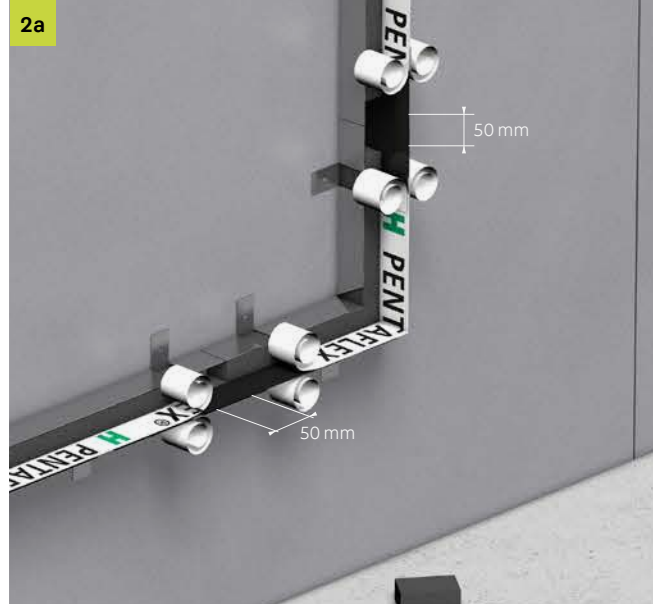
Our Application Technology department would be happy to provide you with further information on individual installation situations.

T +49 7742 9215-300  
 technik-hbau@pohlcon.com

## Installation instructions

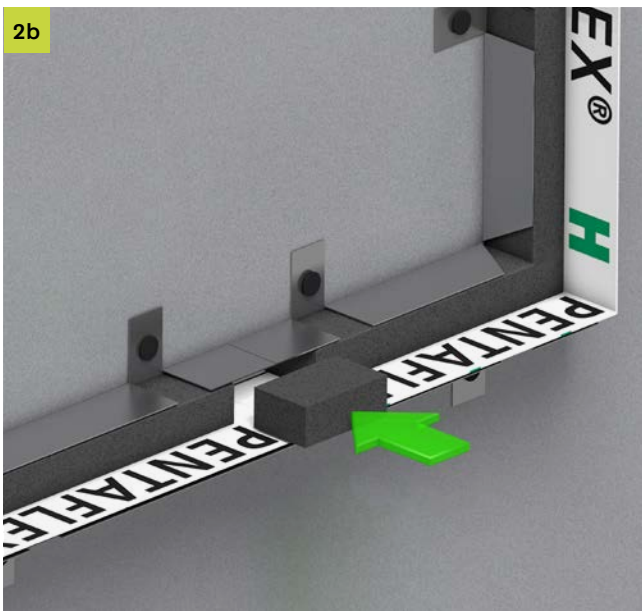


1 Nail the PENTAFLEX® Modul to the formwork using the nail flanges.

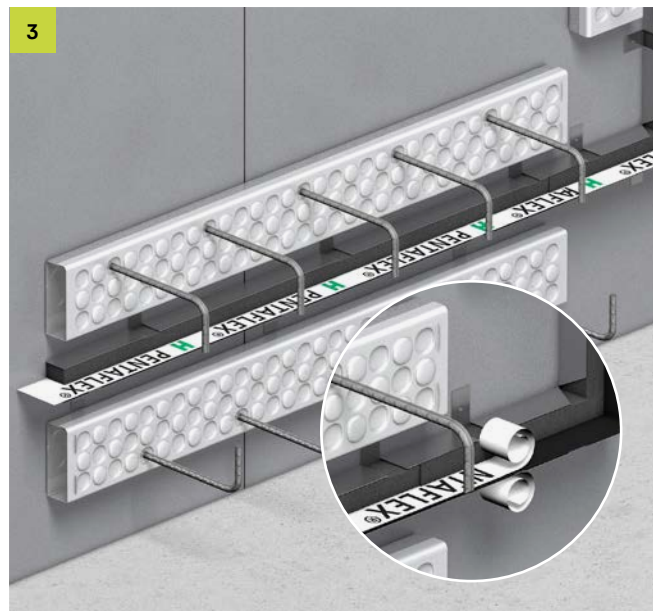


2a Connecting the corner module using two PENTAFLEX® modules:

- Remove the protective film
- Overlap the sheets by at least 50 mm



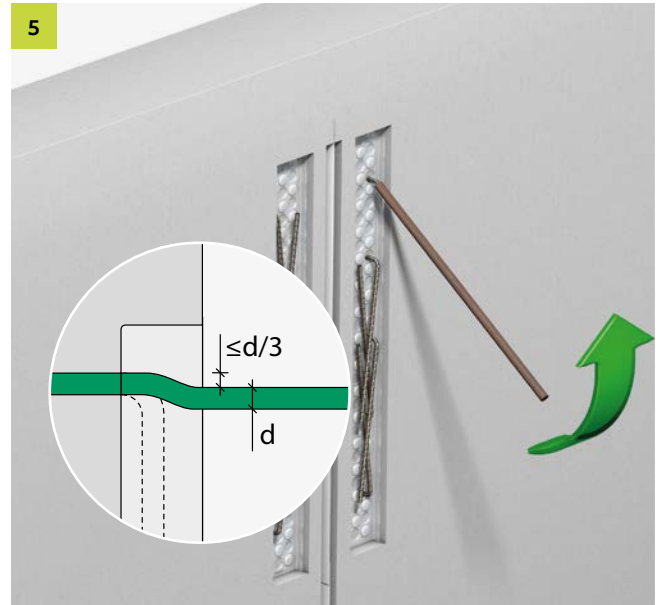
2b Reattach the protective film and fill any empty spaces at the overlaps using EPP stopper strips.



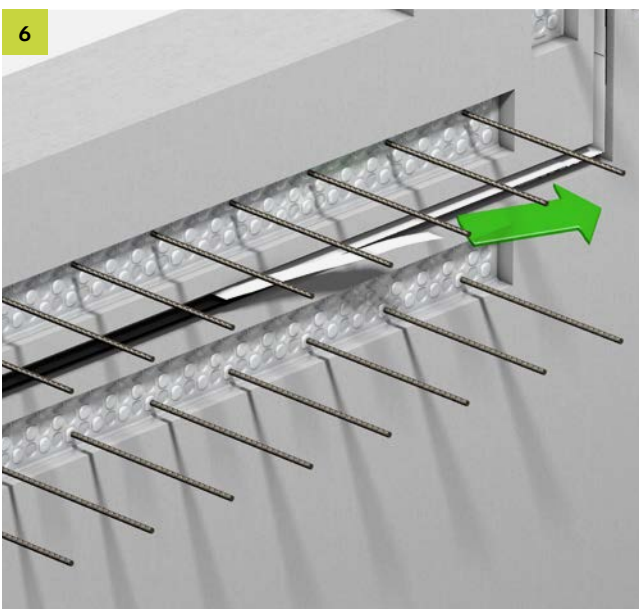
3 Next to the PENTAFLEX® Modul, nail two single-row FERBOX® rebend connectors to the formwork. Before pouring the concrete, remove the top part of the protective film from the PENTAFLEX® seam sheet.



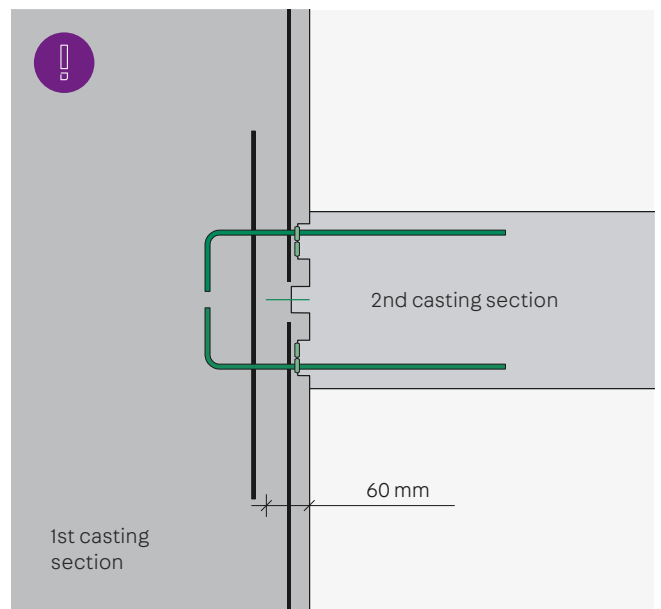
After casting the first section, remove the protective boxes of the FERBOX® rebend connectors, the protective boxes of the PENTAFLEX® Modul and the EPP filling strips.



Bend back the reinforcement bars of the FERBOX® rebend connectors using suitable tools.



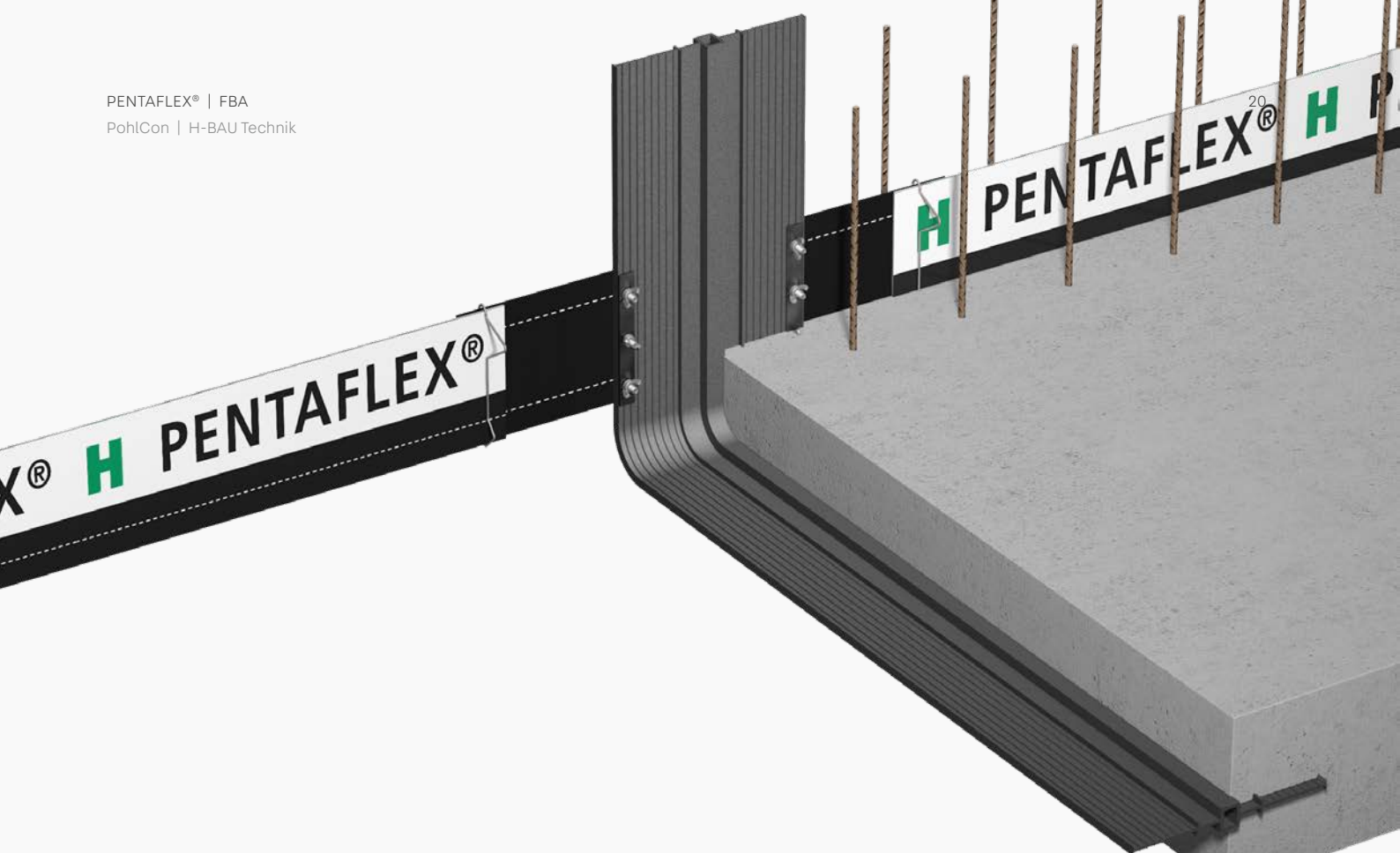
Remove the second half of the protective film from the PENTAFLEX® seam sheet. Finally, apply the shuttering for the second casting section and pour the concrete.



Due to the height of the PENTAFLEX® sheet of 60 mm, the component reinforcement may not pass along the construction joint. It is recommended to make the crossing reinforcement in two parts and to provide an allowance if necessary.



For further details on installing FERBOX® units, see the technical information for FERBOX® rebend connectors.



# PENTAFLEX® FBA

## Sealed transition to joint tapes

### The product

The PENTAFLEX® FBA joint tape connection consists of a clamping device with a sealing strip. FBA can be used to connect KUNEX® joint tapes with PENTAFLEX KB® elements. The FBA is connected to the joint tape at the end piece of the PENTAFLEX® element using a screw-type clamping device.

### Area of application

PENTAFLEX® FBA joint tape connections can be used to integrate KUNEX® construction joint and expansion joint tapes into the sealing concept in a system-compatible manner. Transitions from PENTAFLEX® joint sheets to KUNEX® joint tapes can be installed quickly and easily.

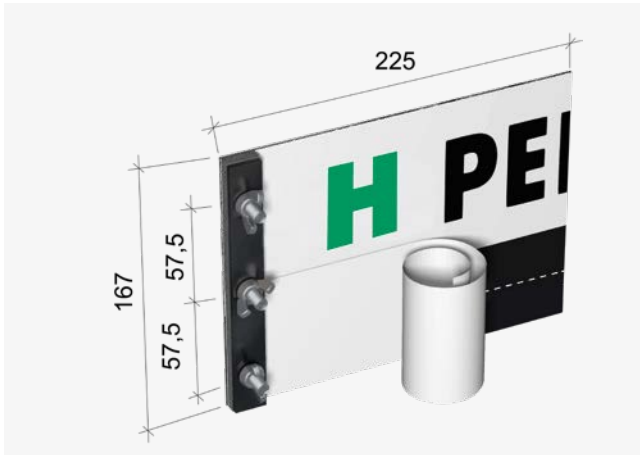


### Benefits

- Secure connection of PENTAFLEX® to KUNEX® joint tapes
- Connection tested up to 5.0 bar
- Easy assembly
- No special tools or adhesive materials required



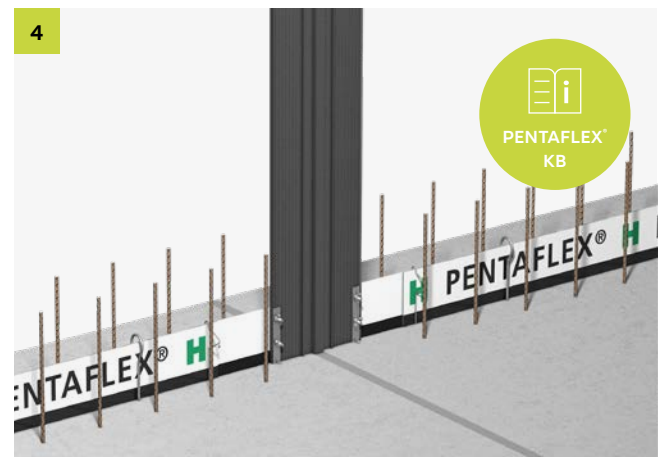
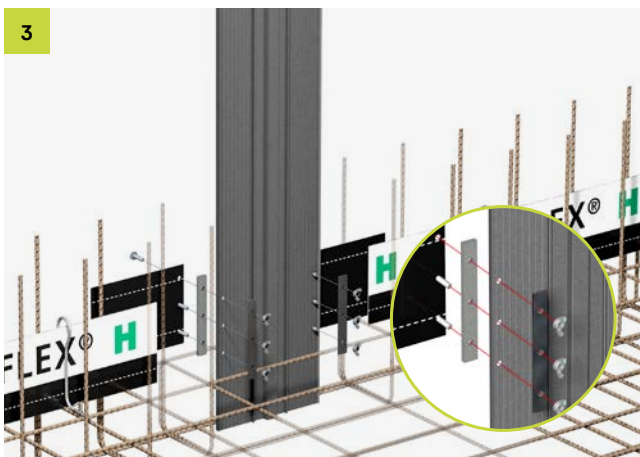
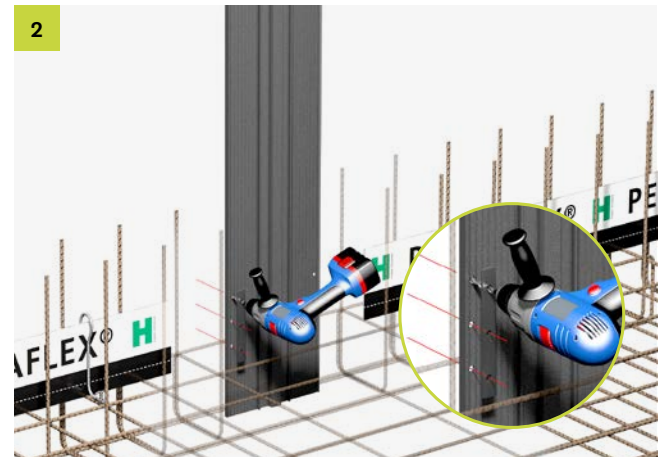
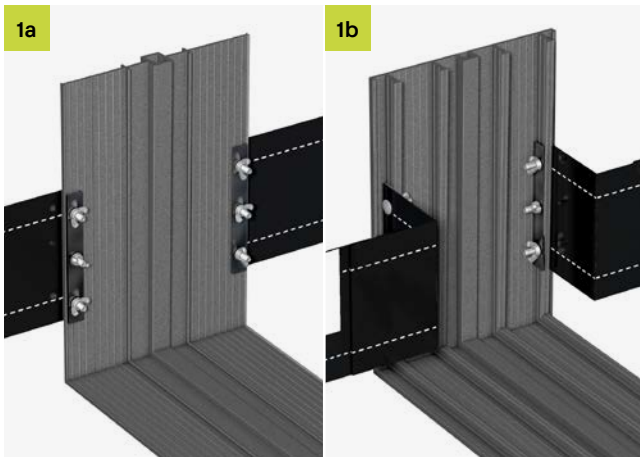
## Technical data

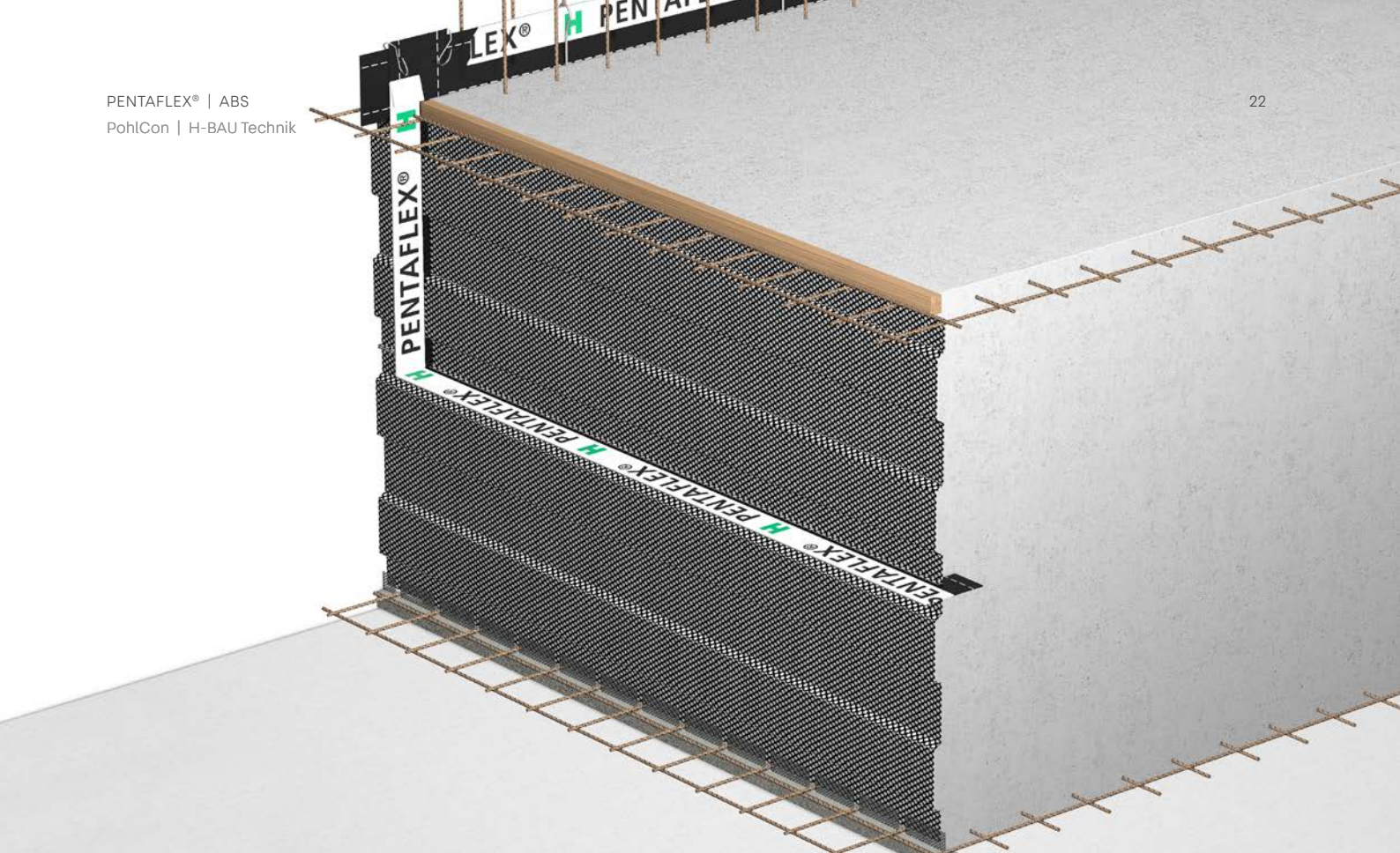


### Basic information

- Individual elements made from fully coated, galvanised sheet steel
- Dimensions:
  - L = 225 mm
  - W = 167 mm
  - Th = 1.2 mm
- Anchoring depth:  $\geq 30$  mm
- FBA including swelling strip, clamping strip and screws
- Delivered as a set (2 pieces)
- Accessories:
  - A-CV and AS-CV shuttering strips

## Installation instructions





# PENTAFLEX® ABS

Shuttering element with joint sheet for rough or interlocking construction joints

## The product

The PENTAFLEX® ABS shuttering element is a combination of joint sheet and profiled shuttering. The joints are securely sealed using tried-and-tested PENTAFLEX KB® elements. The shuttering is created using dimensionally stable expanded metal elements reinforced using a special stirrup construction. The ABS element can be supplied for rough or interlocking joints (ABS-R, ABS-V).

## Area of application

PENTAFLEX® ABS is used to create construction joints for reinforced concrete slabs that are exposed to water (floors, walls and ceilings), particularly for applications that require bonded joints with high shear strengths.

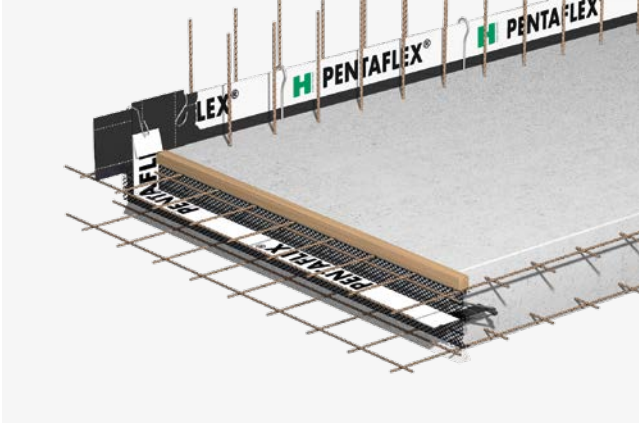


## Benefits

- Approved for use in Europe with ETA-15/0003
- General building code test certificate P-5120/231/09 MPA-BS
- CE mark
- High shear strength in the bond joint
- Watertight up to 5.0\* bar
- Joints do not have to be welded
- For continuous reinforcement
- PENTAFLEX® special coating resistant to organic effluents
- Easy and secure connection with PENTAFLEX KB® in floor/wall joints

\* Tested to 5.0 bar, 2.0 bar authorised in line with ETA and abP (German building code test certificate) (safety factor of 2.5).

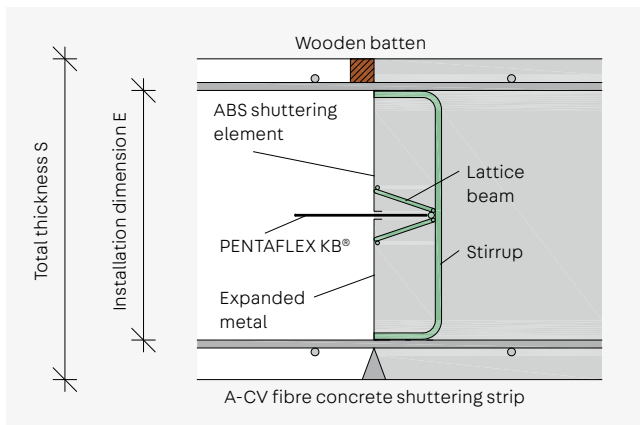
## Technical data



### Basic information

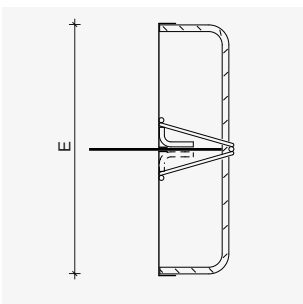
- Shuttering element made from E10/grade DC04 expanded metal with bracing lattice beam structure in B500B steel
- PENTAFLEX KB® joint sheet in line with abP (German building code test certificate)
- Area of application: Floor/floor, ceiling/ceiling, wall/wall
- Shuttering element standard length: L=2.40 m
- Fixed length and special forms with e.g. off-centre joints possible
- Shuttering elements for element walls available on request

### System cross section



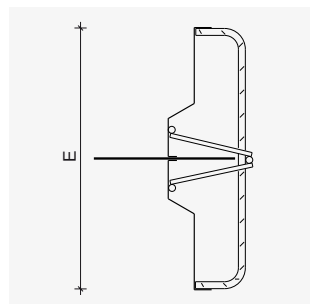
The A-CV shuttering strip reliably reduces the leakage of concrete and the associated loss of fine particles to a minimum. It can accommodate bar diameters from 6 to 14 mm and is available for concrete coverages from 20 to 60 mm thick.

## Versions



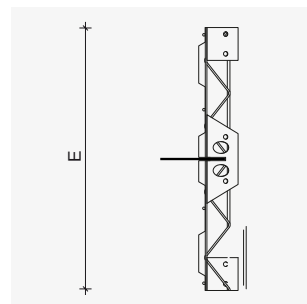
### ABS R for rough joints in line with EC2

- For floor/floor, ceiling/ceiling
- For wall/wall with shorter lattice beam
- Installation dimension: 80 - 590 mm



### ABS V for interlocking joints in line with EC2

- For floor/floor, ceiling/ceiling
- For wall/wall with shorter lattice beam
- Installation dimension: 140 - 590 mm



### ABS V-S for interlocking joints in line with EC2

- Reinforced version
- For floor/floor, ceiling/ceiling, wall/wall
- Installation dimension: 600 - 1990 mm

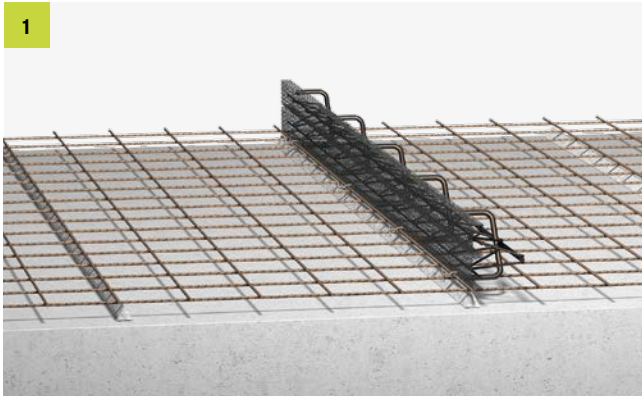


To compile a quotation, we require information on the intended use, joint length, installation heights and connection points.

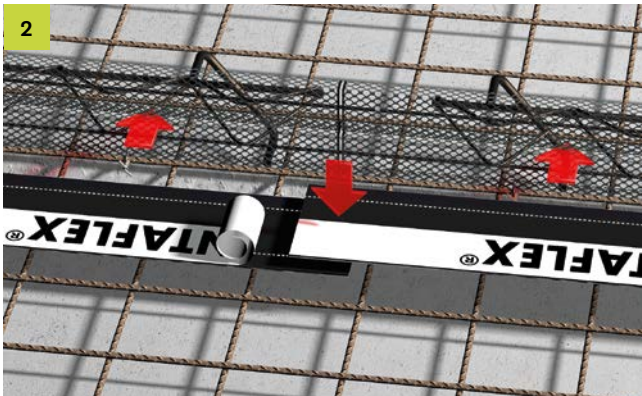


# Installation instructions

## Floor/floor, ceiling/ceiling



Insert a suitable spacer, size  $c_{nom}$ , on the subbase/shuttering at the point where the construction joint will be located (at the level of the expanded metal sheets). Install the ABS elements on the lower reinforcement layer. Select the direction of installation so that the lattice beam protrudes into the first concreted section. Attach it to the lower reinforcement using binding wire. Alternatively, the element can be welded to the reinforcement.

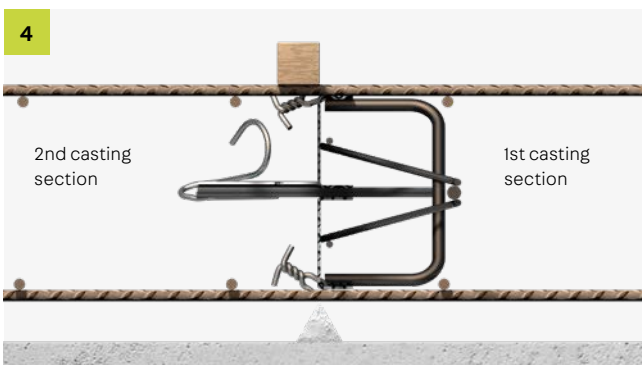


Extend the ABS elements with butt joints. Peel the film off one side of the PENTAFLEX KB® element (top and bottom pieces) and push it into the shuttering as far as it will go. The joint sheets must overlap by 50 mm, be pressed firmly together and be secured with a cross clip. At temperatures below +5°C, the joint surface must first be heated.



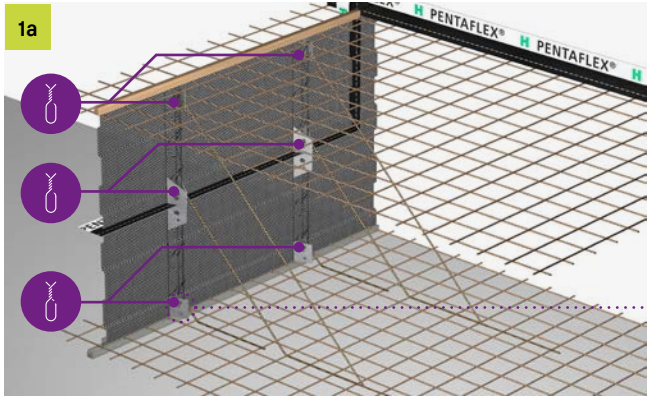
Lay the upper reinforcement and the shuttering for the upper concrete layer. Attach the ABS element to the upper reinforcement using binding wire. Alternatively, the element can be welded to the reinforcement.

Before casting the second section, remove the protective film from the top and bottom of the joint sheet.



Cross-section of the installation situation

## PENTAFLEX® ABS V-S Reinforced version from installation dimension = 600 mm



The tie-back is attached to each vertical lattice girder of the element at three points (bottom/middle/top). If necessary, sprout formwork additionally against fresh concrete pressure and secure the position of the PENTAFLEX® joint sheet.

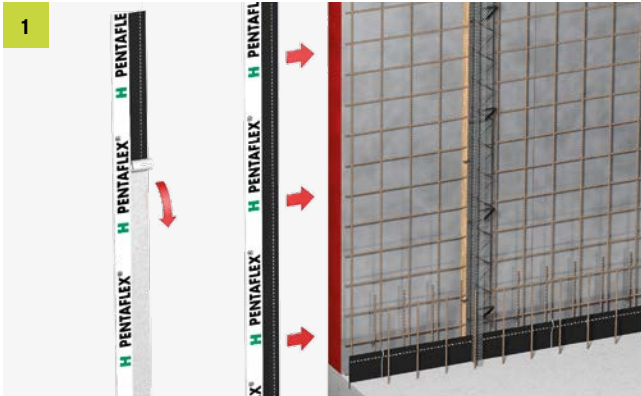


For large installation heights (e.g. ABS V-S elements), weld the element to the reinforcement or weld it with a suitable tie-back anchorage to the reinforcement.

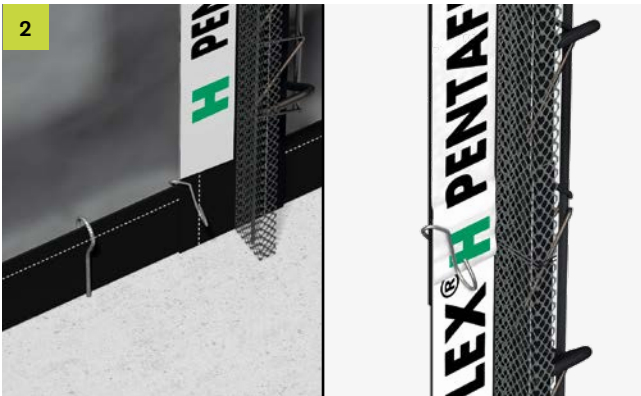
Cross-section of the installation situation



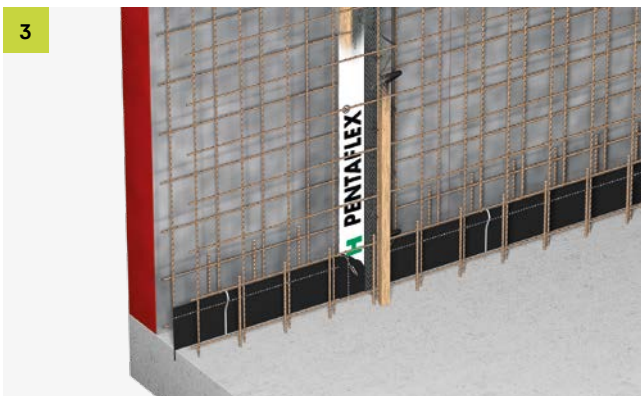
## Wall/wall



Position the exterior shuttering and attach a trapezoidal strip at the position of the construction joint. Position the outer reinforcement. Use spacers that are designed for use with watertight concrete. Position the ABS element over the PENTAFLEX KB® element of the floor/wall joint and tie or weld it to the reinforcement. Peel off the protective paper on both sides in the area of the first casting section and insert the sheet into the shuttering as far as it will go.



Butt joints must overlap by 50 mm. At temperatures below +5°C, the joint area must first be heated. Secure the connection using a cross clip.



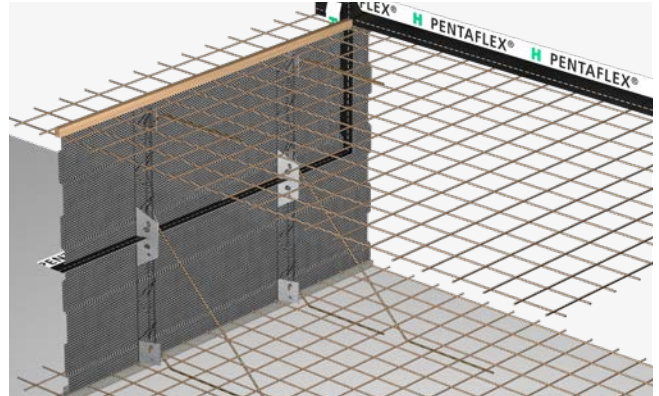
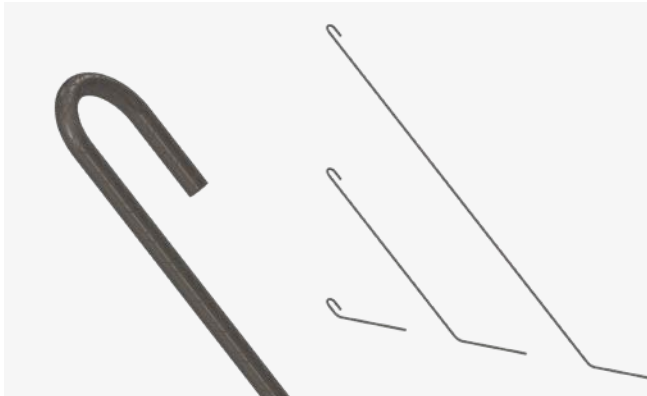
Install the inner reinforcement and secure it to the ABS element (using binding wire or welding). Fasten the trapezoidal strip and close the shuttering. Use tie points that are compatible with watertight construction.



Before erecting the shuttering for the second casting section, remove the remaining protective film from the PENTAFLEX KB® element, install the component's rebar and close the shuttering.

# Accessories

## Tie-back anchorage ABS V-S



### Product description

With matching stirrup sets made of reinforcing steel B500B Ø 12 in three different lengths the ABS V S elements can be attached to the on-site reinforcement.

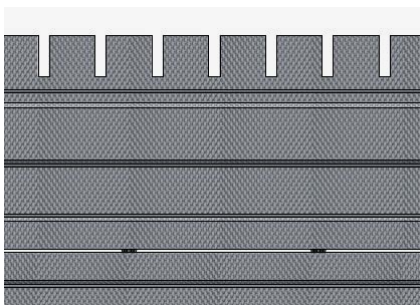
### Advantages

- Position securing by welding with slab reinforcement
- Hook for hooking on the ABS Holding module
- Length of the stirrups is matching ABS E-dimensions

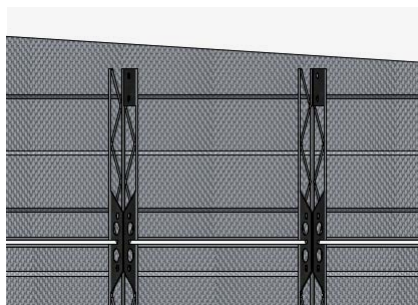
Other individual solutions, e.g. for coves or crane foundations our application technology will be happy to assist you.

T +49 7742 9215-300  
 technik-hbau@pohlcon.com

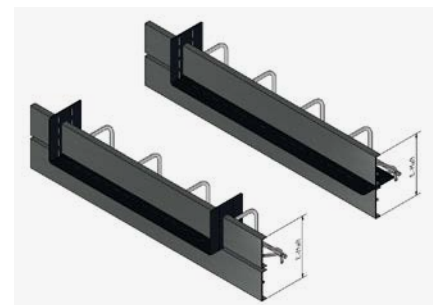
E-dimension ABS mm	Stirrup sets per element piece	Stirrup sets per m piece
600-690	4	1,6
700-790	4	1,6
800-890	5	2,0
900-990	5	2,0
1.000-1.090	5	2,0
1.100-1.190	5	2,0
1.200-1.290	5	2,0
1.300-1.390	5	2,0
1.400-1.490	5	2,0
1.500-1.590	5	2,0
1.600-1.640	5	2,0
1.650-1.690	6	2,5
1.700-1.790	6	2,5
1.800-1.890	6	2,5
1.900-1.990	6	2,5
2.000-2.090	6	2,5



Crown cut at the upper metal rim to accommodate the continuous reinforcement

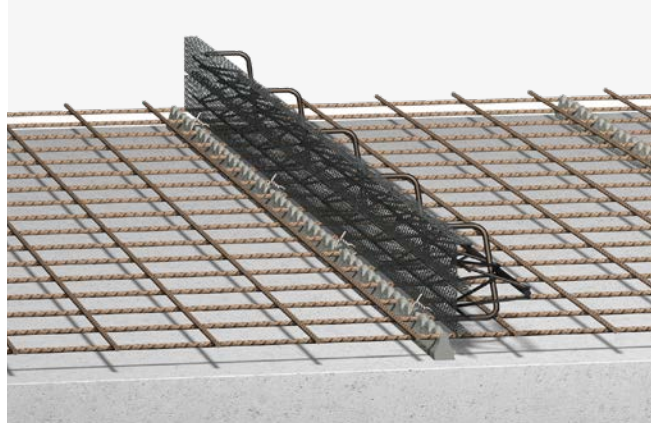
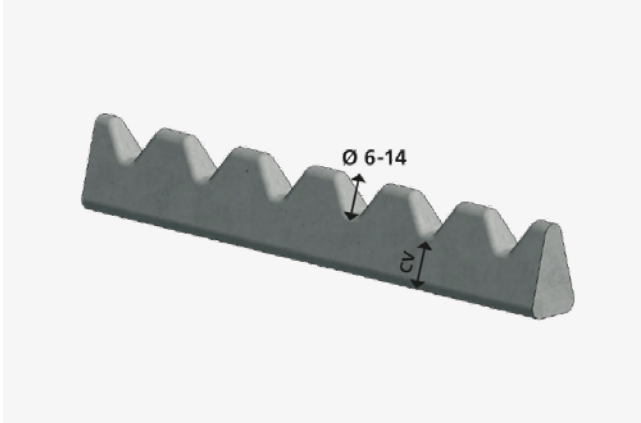


Tapered cut to adapt to floor slabs with slope



Notching in expanded metal, e.g. for connection of the joint sheet to the floor-wall joint

## A-CV fibre concrete shuttering strip



### The product

This spacer is made from fibre-reinforced concrete with a 50 mm reinforcement grid. It is an ideal complement to the PENTAFLEX® ABS shuttering element with either a rough or interlocking design. The A-CV shuttering strip reliably reduces the leakage of concrete and the associated loss of fine particles to a minimum.

It can accommodate bar diameters from 6 to 14 mm and is available for concrete coverages from 20 to 60 mm thick. This makes it the perfect installation aid for steel-bar reinforcements.

### Area of application

The A-CV shuttering strip also serves as a gauge when installing steel bars, eliminating the need to measure and mark a grid on the subbase. The A-CV shuttering strip is used for a range of concrete covering thicknesses when laying longitudinal and transverse reinforcements.

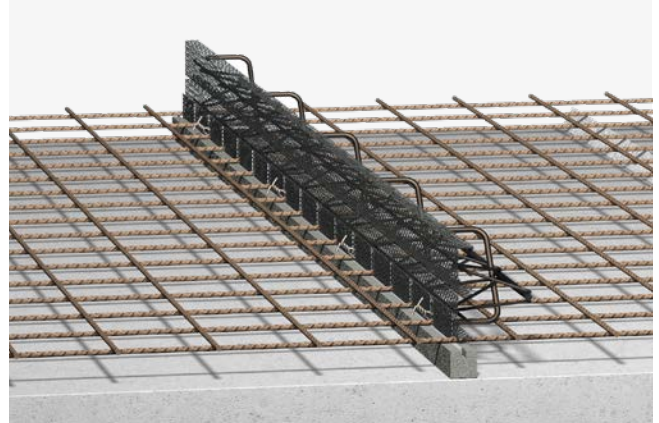
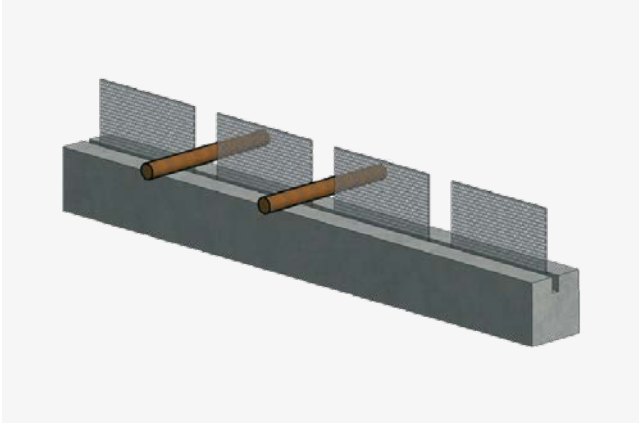
Type	Concrete cover mm	Height/length mm
A-CV 20	20	40/1000
A-CV 25	25	45/1000
A-CV 30	30	50/1000
A-CV 35	35	55/1000
A-CV 40	40	60/1000
A-CV 45	45	65/1000
A-CV 50	50	70/1000
A-CV 60	60	80/1000



### Benefits

- No seepage from construction joints
- Saves time
- Improves quality
- Universal use
- Simplifies on-site monitoring and rebar inspection

## AS-CV fibre concrete shuttering strip



### The product

Spacers ensure that the reinforcements are covered with concrete and shuttering elements provide a simple and economical way of making construction joints watertight. But the areas between the reinforcement bars crossing the joint are a major flaw. These sections of the construction joint shuttering are not normally closed. This allows concrete to leak out, something which is not conducive to achieving a geometrically perfect joint. A huge number of fine particles are washed out. This not only impacts the watertightness of the concrete in the barrier layer, but also affects the quality of the next casting section



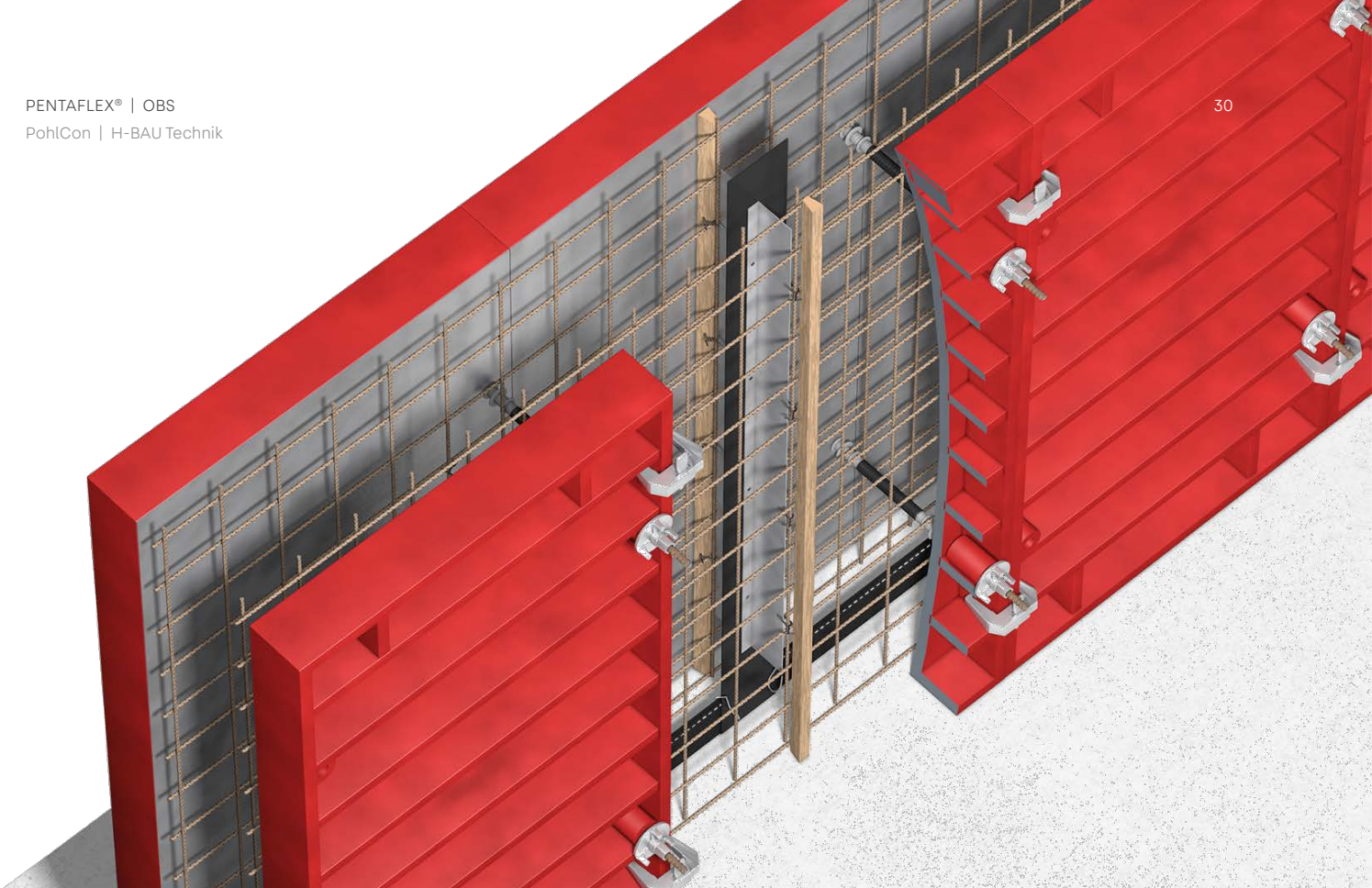
### Benefits

- Perfectly geometric formation of construction joints
- Ensures that the watertight concrete is homogeneous
- Unhindered cross-sectional formation in the second casting section over the entire slab thickness
- Perfect rebar spacing without measurement

AS-CV	Concrete cover mm	Height/length mm
30/100	30	100
30/150	30	150
30/200	30	200
35/100	35	100
35/150	35	150
35/200	35	200
40/100	40	100
40/150	40	150
40/200	40	200
50/100	50	100
50/150	50	150
50/200	50	200

Please state the diameter of the rebar being used.





# PENTAFLEX® OBS

Element for sealing and creating crack control joints in walls / floor slabs

## The product

PENTAFLEX® OBS crack control elements for in-situ concrete components consist of a joint element with the tried-and-tested PENTAFLEX® special coating and galvanised sheet steel wings that weaken the concrete cross-section.

The wall elements are manufactured as standard in 2.50 m, 2.75 m and 3.00 m lengths. The floor slab elements are available in 2.50 m lengths as standard. The slotted wings are available for various component thicknesses. The wall elements are supplied ready for installation. The floor element is a combination of crack control element and joint sheet.

## Area of application

PENTAFLEX® OBS crack control elements are used to create cracks at predetermined points in in-situ concrete components. The sealing element seals the resulting crack against both water under pressure and not under pressure. This stops shrinkage cracks from occurring randomly – instead they form at the planned points, which are also immediately sealed.



## Benefits

- Approved for use in Europe with ETA-15/0003
- General building code test certificate P-5120/231/09 MPA-BS
- CE mark
- Elements are quick and easy to assemble
- Reliably creates and seals control cracks
- Watertight up to 5.0\* bar
- Easy, secure connection with PENTAFLEX KB®

\* Tested to 5.0 bar, 2.0 bar authorised in line with ETA and abP (German building code test certificate) (safety factor of 2.5).



# Technical data



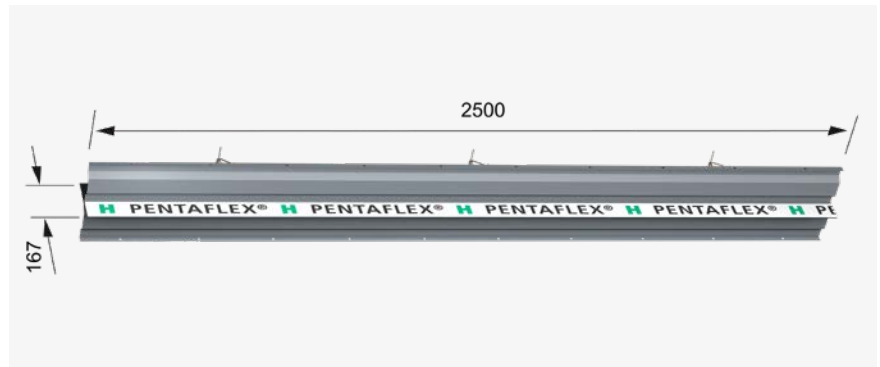
OBS wall

### Wall application

- PENTAFLEX KB® joint sheet
- Element length: L = 2.50; 2.75; 3.00 m, Fixed lengths available on request
- Standard installation dimension: E = 140 and 180 mm for wall thickness 240-250 and 300 mm
- Other E dimensions available on request
- Joint sheet overlap at top and bottom for connection to PENTAFLEX KB®

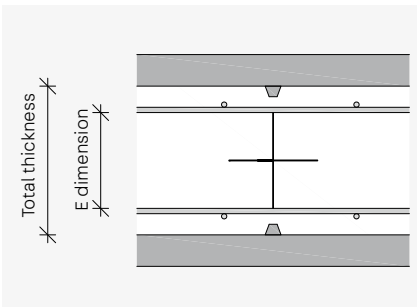
### Floor slab application

- PENTAFLEX KB® joint sheet
- Element length: L = 2.50
- Installation dimension: E ≥ 80 mm (OBS G-S)
- Installation dimension: E ≥ 140 mm (OBS V-S)



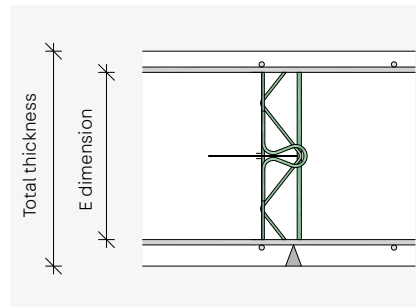
OBS floor

### System cross section



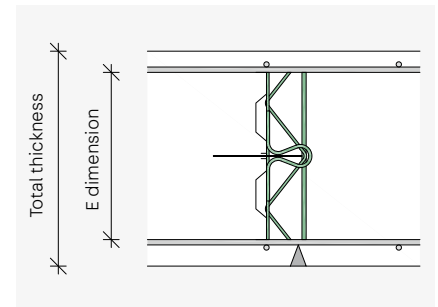
#### OBS wall

E dimension: 140 and 180 mm for wall thickness 240-250 and 300 mm



#### OBS G-S floor

E dimension: 80 to 1000 mm



#### OBS V-S floor

E dimension: 140 to 1000 mm  
 Interlocking joint in line with EC 2



#### OBS wall

The correct concrete cover layer must be adhered to in the area of the trapezoidal strip.

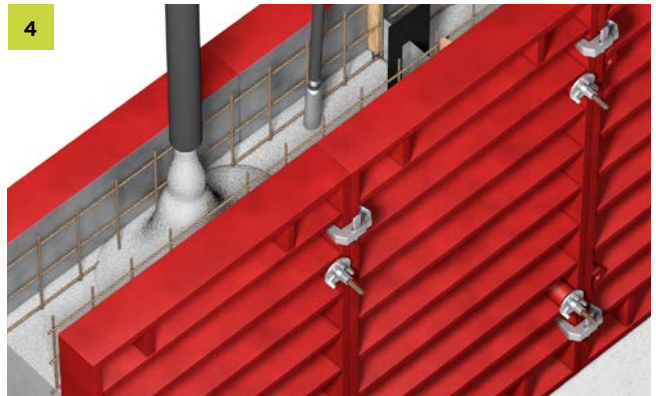
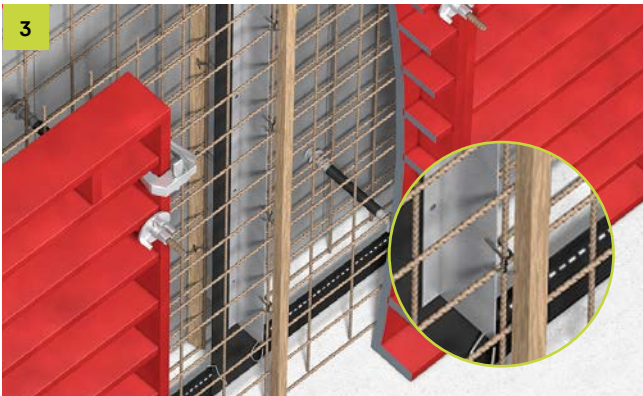


Larger installation dimensions available on request. Our Application Technology department will be happy to assist you.

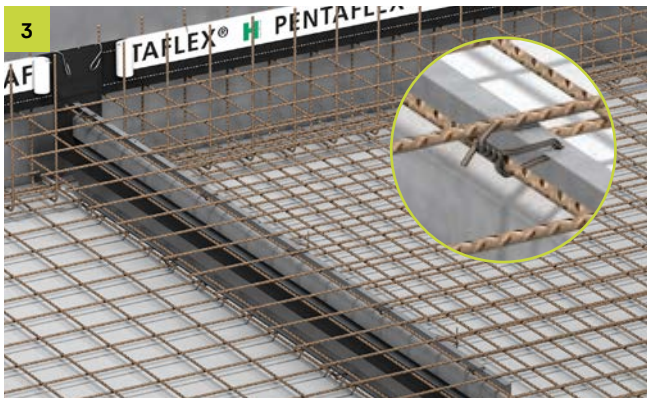
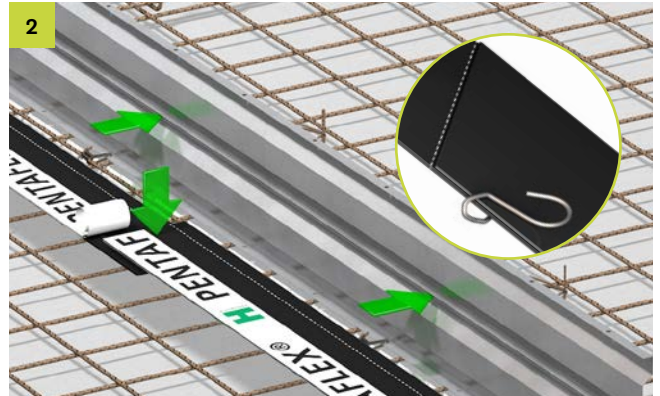
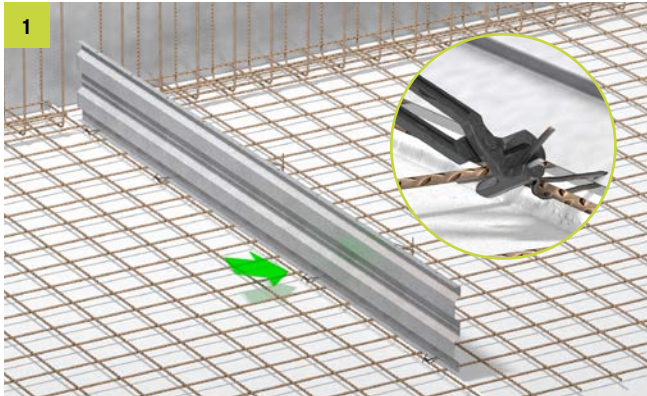
Tel: +49 7742 9215-300  
 Email: technik-hbau@pohlcon.com

# Installation instructions

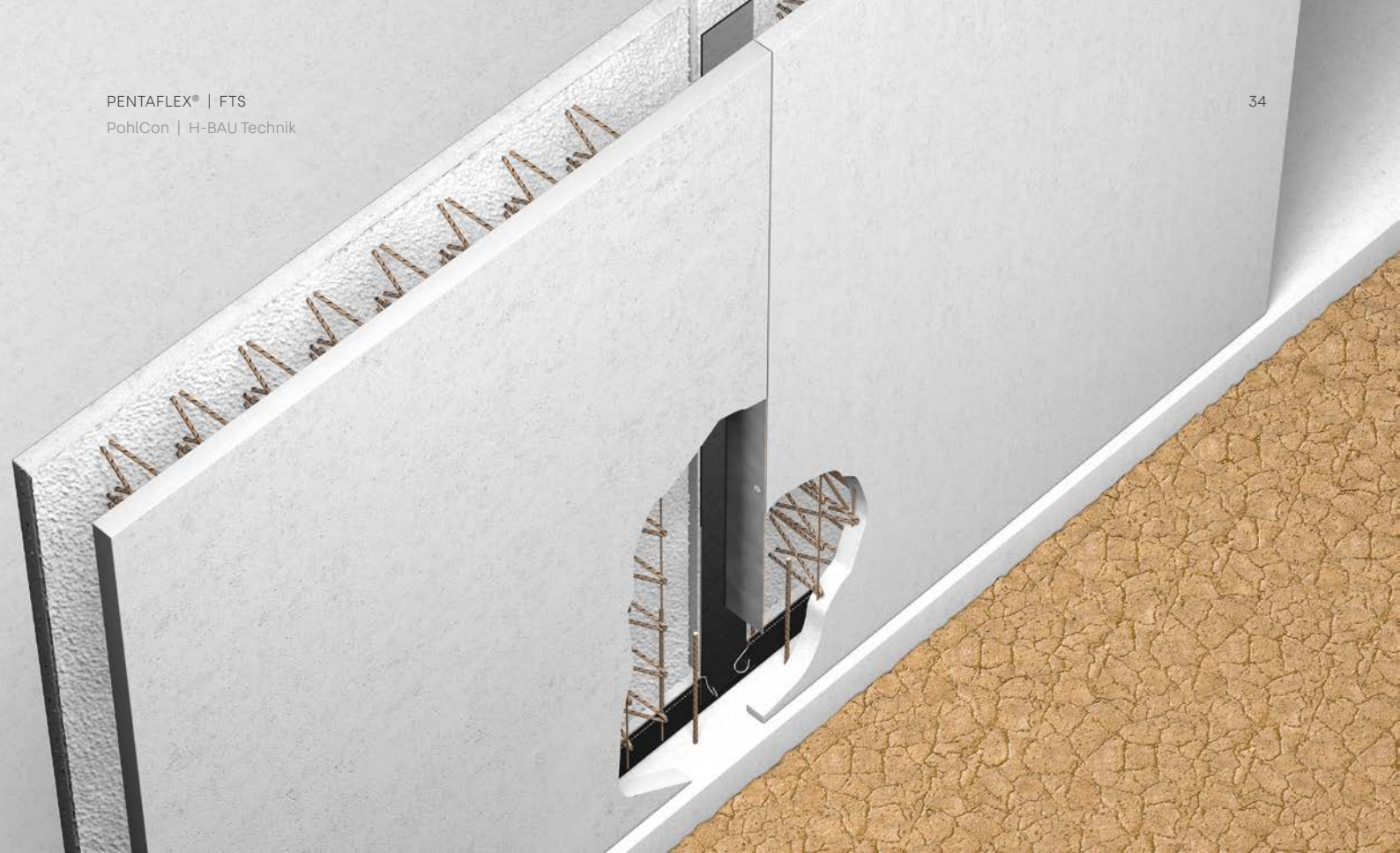
## Wall



## Floor







# PENTAFLEX® FTS

## Element for sealing and creating crack control joints in element walls

### The product

PENTAFLEX® FTS crack control elements for walls consist of a joint sheet with the tried-and-tested PENTAFLEX® special coating and a galvanised sheet steel wing. This weakens the concrete cross-section and also allows the skinplate to be attached.

The elements are manufactured as standard in 2.50 m, 2.75 m and 3.00 m lengths. The PENTAFLEX® FTS joint element is available for walls of any thickness. Standard elements for walls 240–250 or 300 mm thick are kept in stock. The elements are supplied ready for installation.

### Area of application

PENTAFLEX® FTS crack control elements are used to generate control cracks in element walls. The sealing element seals the resulting crack against water under pressure and not under pressure. FTS elements are designed for sealing vertical joints in prefabricated white tank constructions. The joint seals are also suitable for double-wall construction even at the corner joints.



### Benefits

- Approved for use in Europe with ETA-15/0003
- General building code test certificate P-5120/231/09 MPA-BS
- CE mark
- Quick and easy to install on the prefabricated formwork
- Reduced waiting times
- Reliable creation of shrinkage cracks
- Watertight up to 5.0\* bar
- PENTAFLEX® special coating resistant to organic effluents
- Easy, secure connection with PENTAFLEX KB®

\* Tested to 5.0 bar, 2.0 bar authorised in line with ETA and abP (German building code test certificate) (safety factor of 2.5).

## Technical information

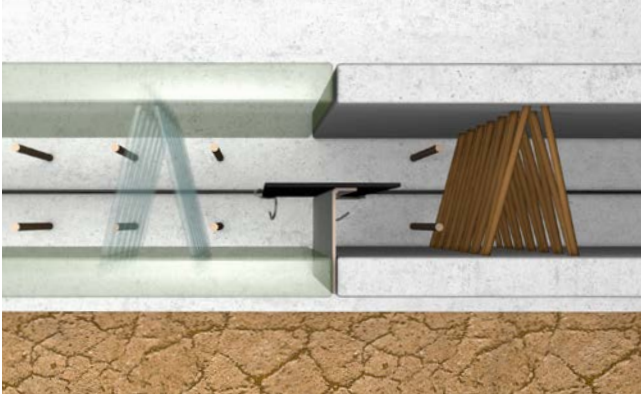
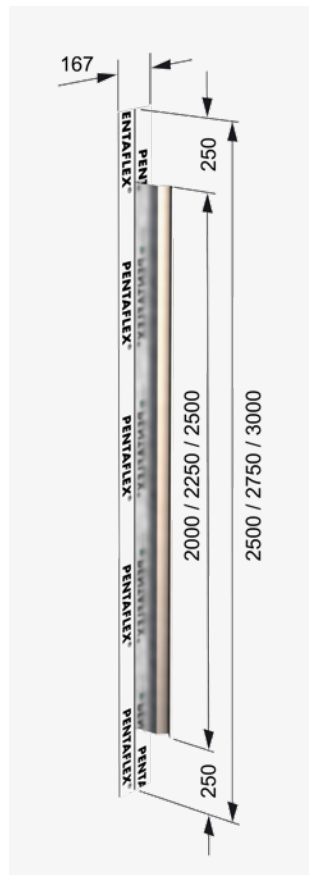
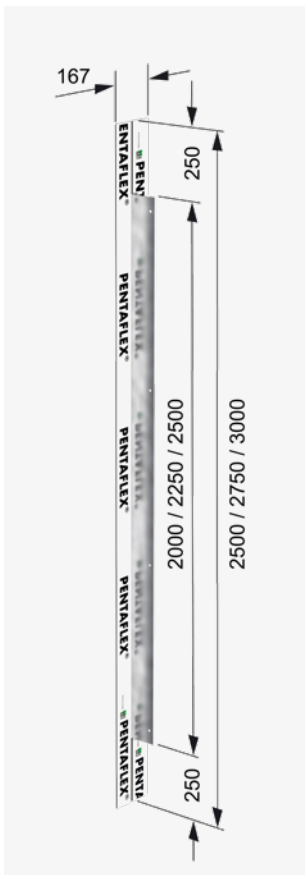


Fig. 1: FTS for straight joints



Fig. 2: FTS-Corner for corner joints



### Basic information

- PENTAFLEX KB® joint sheet
- Element length: L = 2.50; 2.75; 3.00 m
- Variants for straight slab joints (Fig. 1)
- Variants for slab corner joints (Fig. 2)
- Elements kept in stock for wall thickness 240/250 and 300 mm
- Joint sheet overlap at top and bottom for connection to PENTAFLEX KB®
- Other dimensions available on request

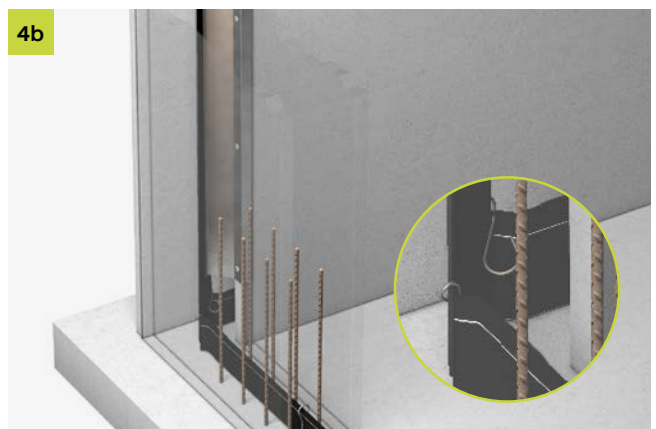
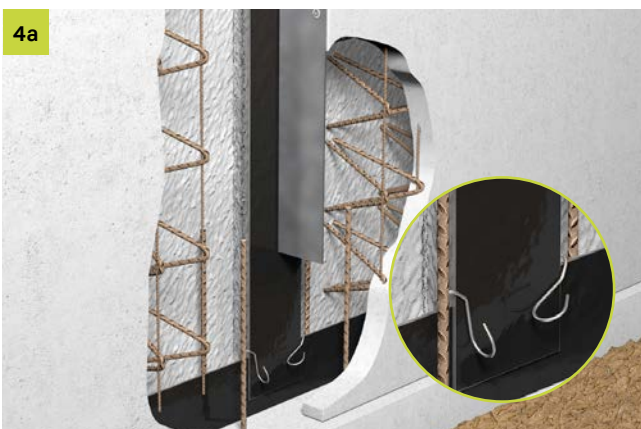
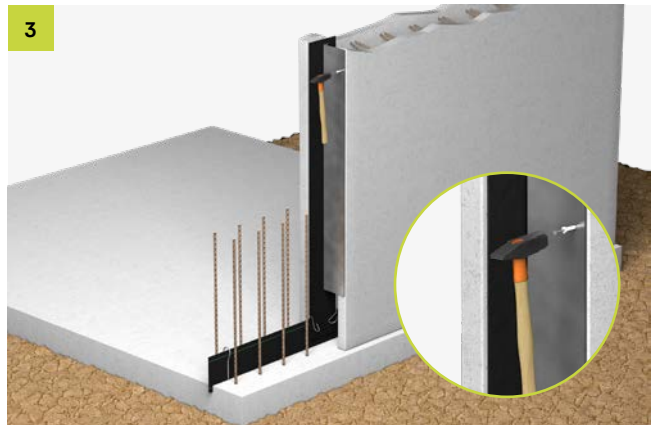
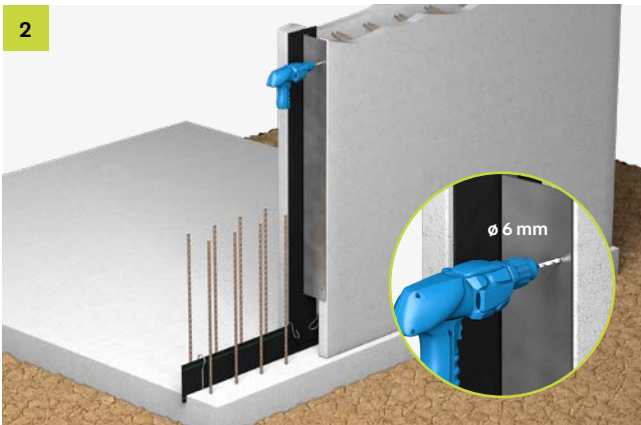
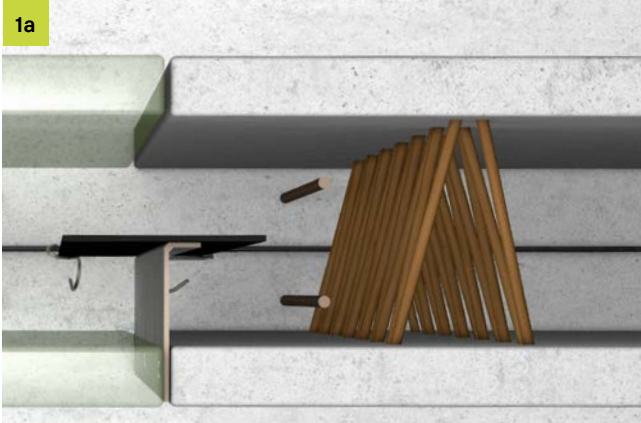


When using PENTAFLEX® FTS-Corner elements, PENTAFLEX KB® Corner elements must be installed in the floor slab.

Ensure that the footing is properly installed:  
 If the drop height is more than 1 m, a joint mixture (maximum grain  $\leq 8$  mm) must be used in the footing area at heights  $\geq 300$  mm to ensure that the concrete is installed without any voids.



# Installation instructions

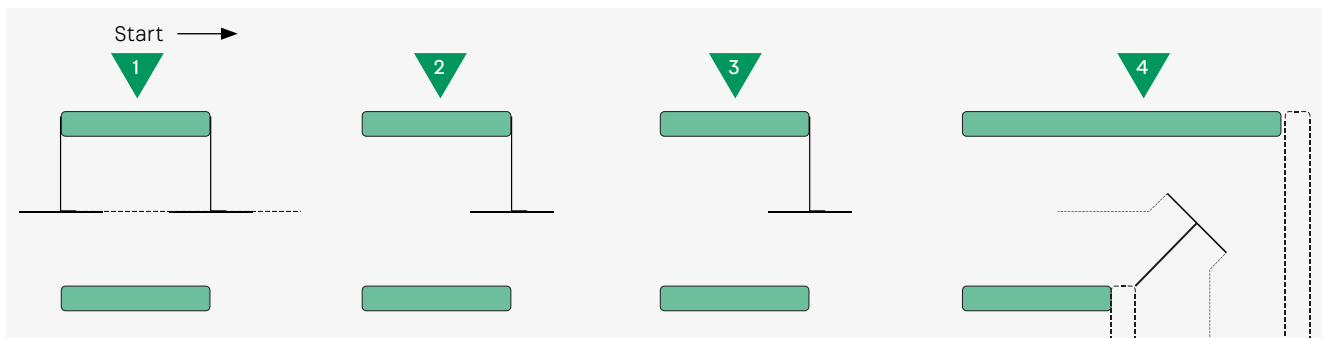


It is essential to use PENTAFLEX KB® Corner elements when building with element walls.

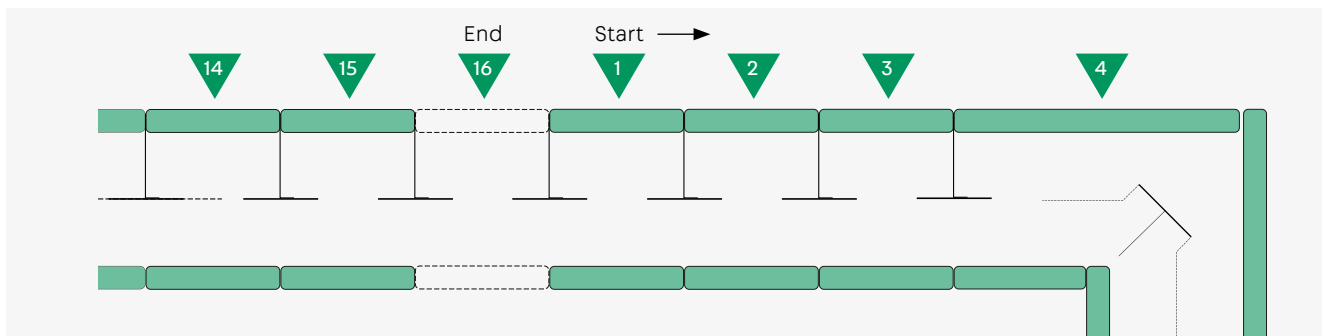
# Installation process

## Example

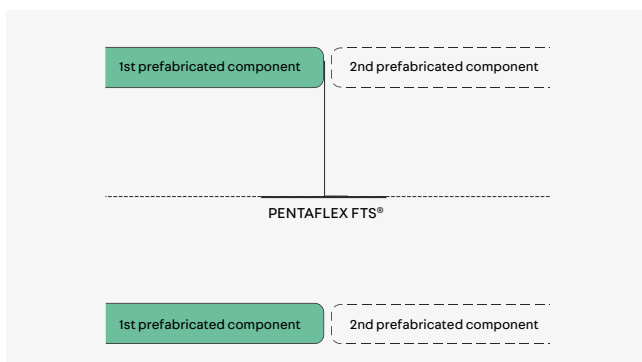
- A** Determine the installation direction of the element walls.
- B** Position the first wall element. Secure the PENTAFLEX® FTS elements on both faces of the precast component. Connect the PENTAFLEX® FTS to the floor slab with the PENTAFLEX KB® joint sheet.
- C** Position the next wall element. Secure the PENTAFLEX® FTS to the face of the precast component and connect to the floor slab with the PENTAFLEX® KB joint sheet.



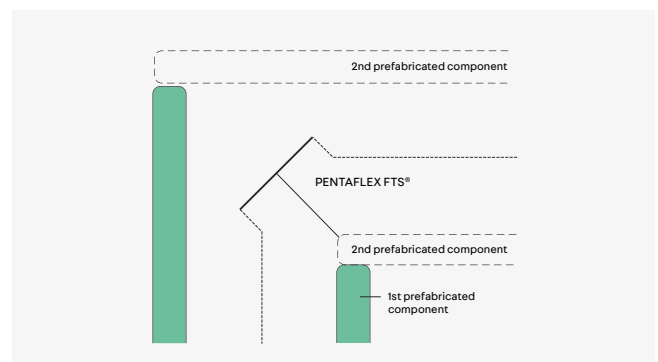
- D** Insert the last wall element carefully between the wall elements already fitted with PENTAFLEX® FTS elements.

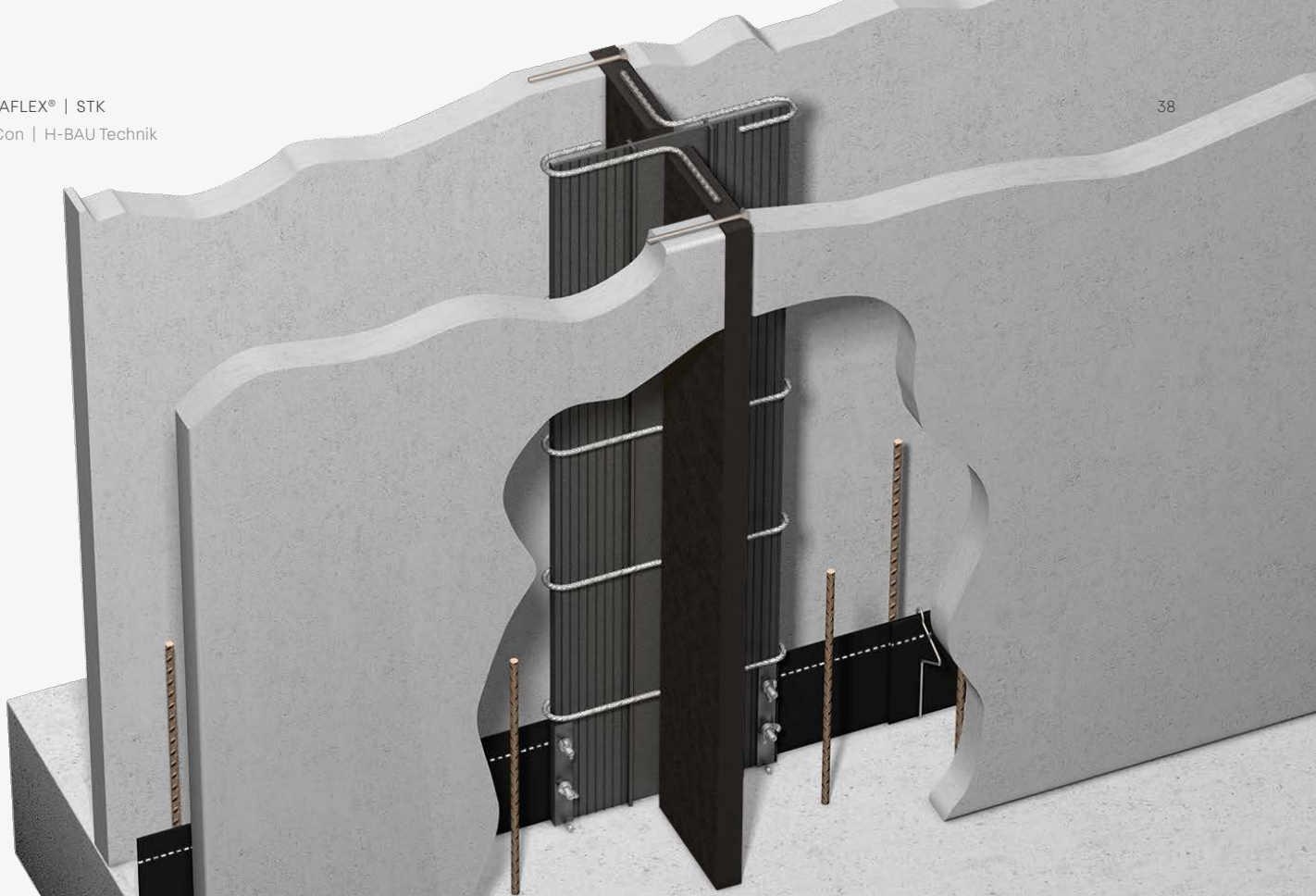


### PENTAFLEX® FTS-Joint for straight joints



### PENTAFLEX® FTS-Corner for corner joints





# PENTAFLEX® STK

## Sound insulating cage for sealing sound-insulation joints

### The product

PENTAFLEX® STK for element walls is a two-part joint cage element made from galvanised structural steel and hydrophobic soft fibreboard. It prevents concrete bridges from forming, thereby acoustically isolating the wall. The integral stirrups guide the joint tape, stop it from drooping during casting, and hence guarantee that the cavity joint is reliably sealed.

PENTAFLEX® SFB is an elastic sound-insulation joint tape with the tried-and-tested PENTAFLEX® coating for use in the bonding area of the floor slab and includes a pre-assembled PENTAFLEX® joint tape connection for connecting to the PENTAFLEX KB® in the base/wall joint.

### Area of application

The PENTAFLEX® sound-insulation joint system is predominantly used in terraced or semi-detached houses. It can be used either in element wall constructions or for in-situ concrete construction. The houses are acoustically insulated using the PENTAFLEX® STK sound insulating cage. The PENTAFLEX® sound-insulation joint tape seals the building joint against water under pressure and not under pressure. This results in a closed joint system as stipulated by the German watertight structure guideline.



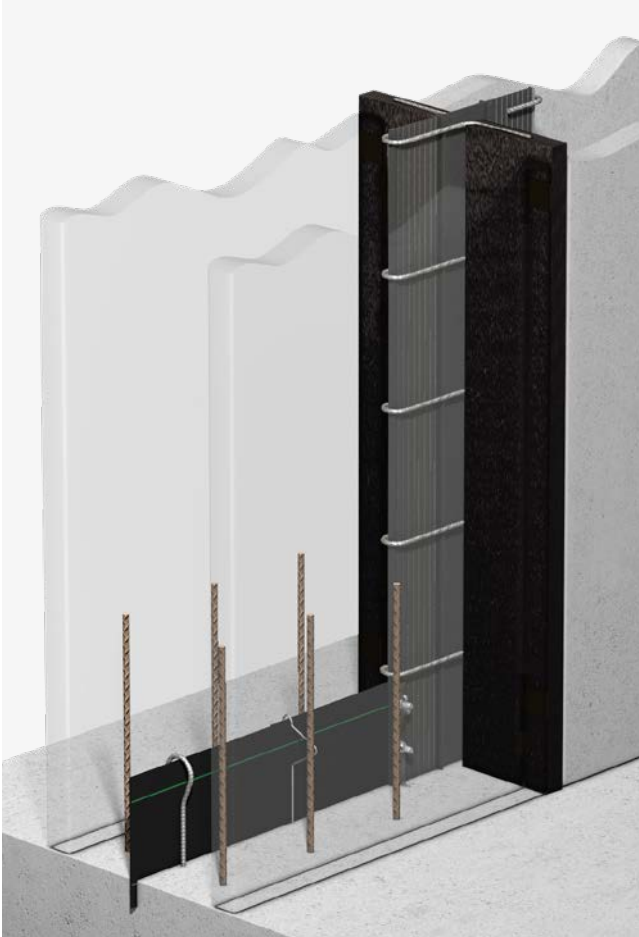
### Benefits

- Tested for sound insulation
- Quick and easy assembly
- Reliable sound insulation
- Reliable insulation joint seal
- Simple and secure connection with PENTAFLEX KB® joint elements



Improvement in joint insulation value  
 $\Delta K_{ij} = 17.2 \text{ dB}$

## Technical information



### Basic information

The PENTAFLEX® sound-insulation joint reliably performs three tasks:

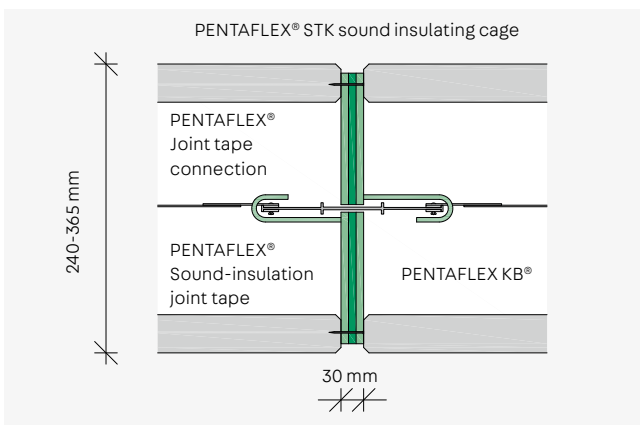
- Seals the building joint
- Reliably fixes the PENTAFLEX® sound-insulation joint tape in place
- Acoustically decouples the components

It is not necessary to shutter the joint separately. Ensure that the element walls and wall formwork are evenly filled on both sides during casting.

### Note

It is advisable to use a surface seal to protect the exterior insulation panel to ensure that sound insulation values remain constant in the long term. Other measures are necessary in the area of the floor slab and the separating walls of the building. The sound insulating cage can also be used horizontally if the building has a separate floor slab.

### System cross section

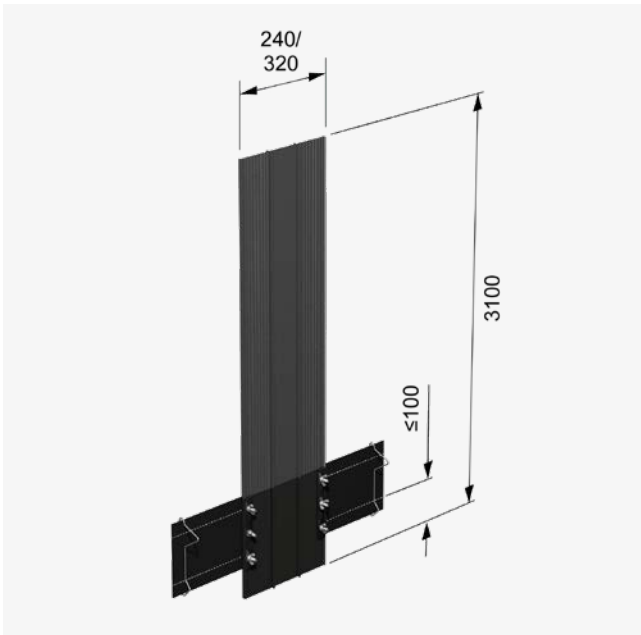


## Range



### PENTAFLEX® STK sound insulating cage

- Two-part sound insulating cage
- Element length: L = 3.00 m
- Pre-assembled, ready for installation
- For wall heights  $\leq 2.80$  m
- For wall thicknesses 240–365 mm
- Element thickness: 30 mm
- Joint dimension in plan 40 mm



### PENTAFLEX® SFB sound-insulation joint tape

- Interior PVC joint tape
- Element length: L = 3.10 m
- Pre-assembled PENTAFLEX® joint tape connection
- PENTAFLEX® coating (approx. 300 mm) in the floor slab connection area
- Delivered with Omega stirrups and joint clips
- For wall heights  $\leq 2.80$  m
- For wall thicknesses  $\geq 240$  mm
- Possible tape widths: 240 or 320 mm



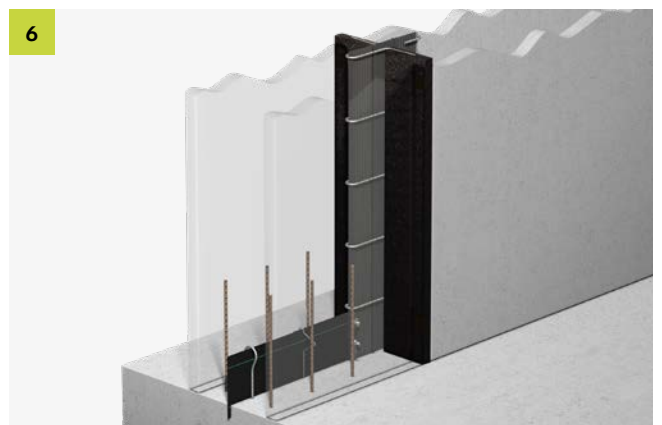
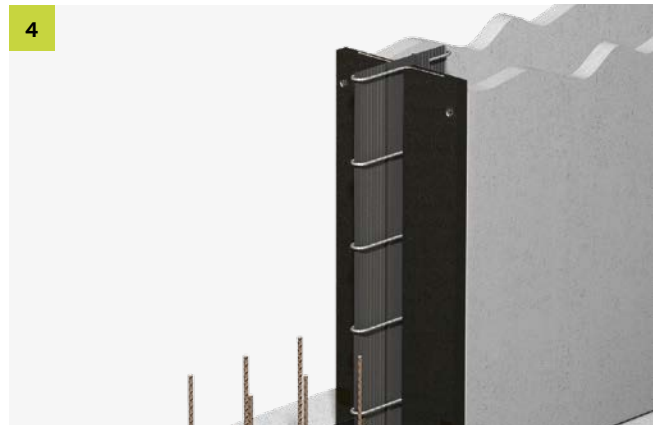
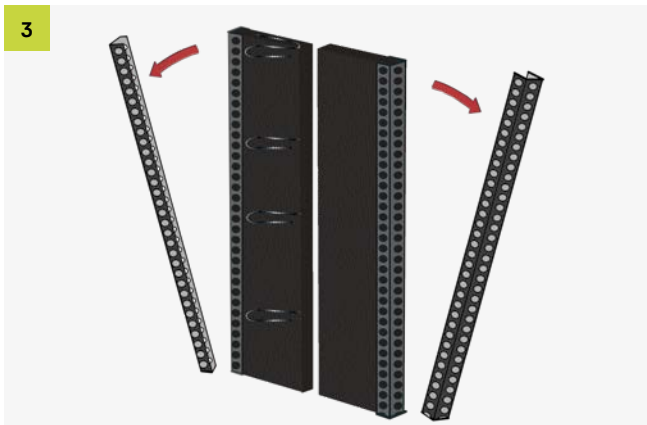
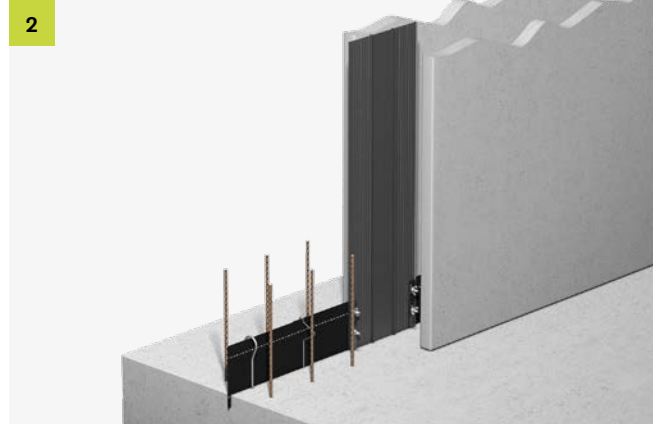
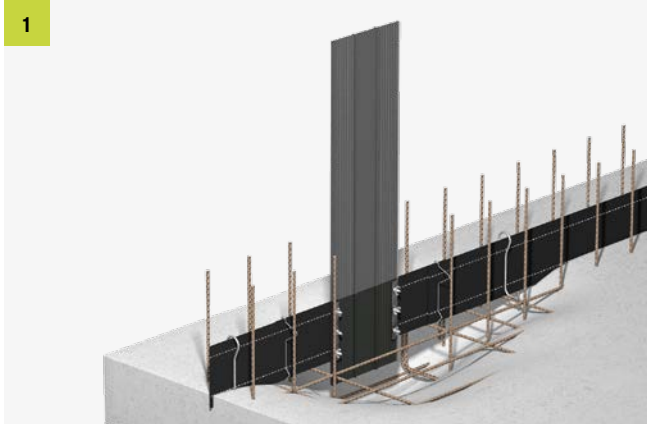
Circumferential sound-insulation joints available on request. Our Application Technology department will be happy to assist you.

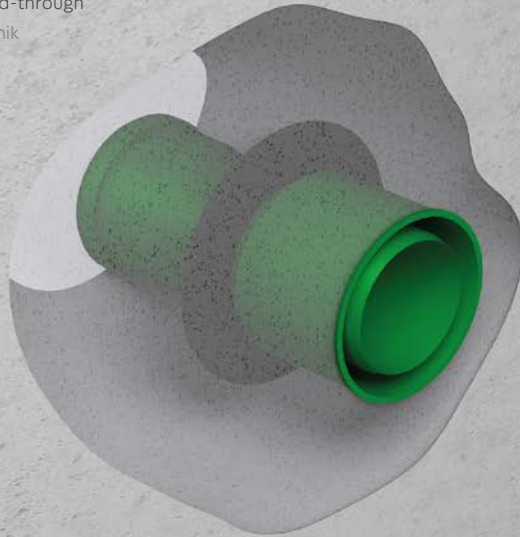
Tel: +49 7742 9215-300

Email: [technik-hbau@pohlcon.com](mailto:technik-hbau@pohlcon.com)



# Installation instructions





# PENTAFLEX® Pipe lead-through

## Waterproof wall penetrations

### The product

PENTAFLEX® pipe lead-throughs are available in a range of materials. They are equipped with a waterstop with the tried-and-tested PENTAFLEX® coating that ensures that no liquid can leak into the surrounding concrete. They can be used to connect a pipe system inside and outside for passing supply pipes through structural components or collecting surface water on the inside and routing it into wastewater pipes.

### Area of application

PENTAFLEX® pipe lead-throughs can be used for any application that requires watertight penetrations (white tanks) for routing supply and waste pipes through structural components.

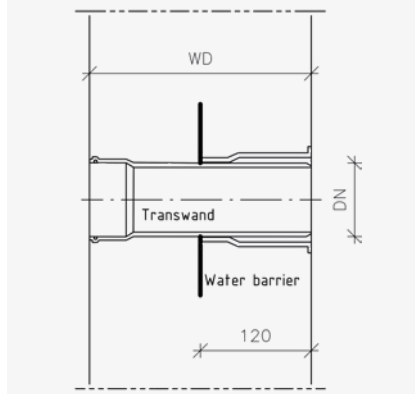
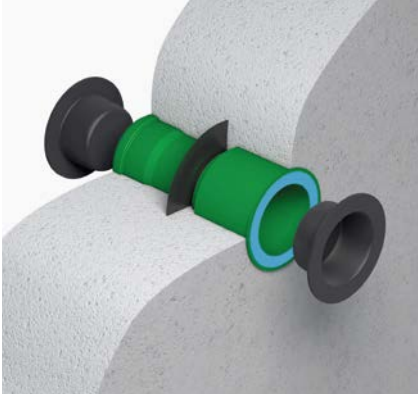
PENTAFLEX® pipe lead-throughs can be used in both in-situ concrete construction and with prefabricated components. These products are both versatile and reliable, even when used in walls with interior insulation.



### Benefits

- Straightforward installation
- Range of materials
- Suitable for commercially available pipe systems
- Very economical and effective

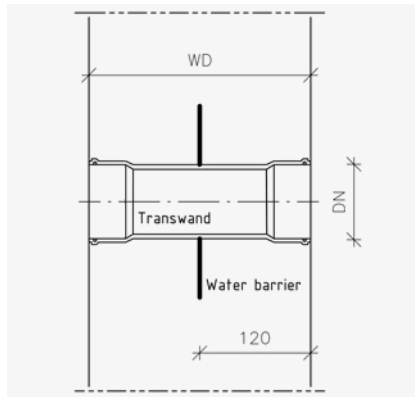
## Technical information



### Transwand

For attaching pipe sleeves

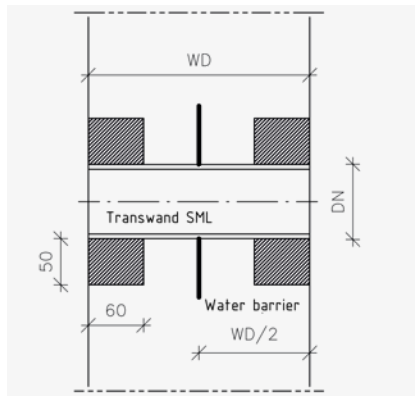
- Material: PVC
- DN 110–160
- PENTAFLEX® waterstop
- Wall thickness  
Standard: 240, 250, 300 mm



### Transwand DM

Double sleeve

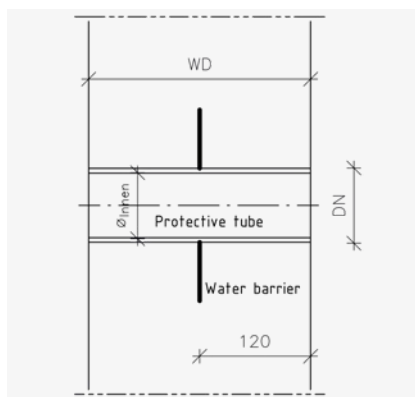
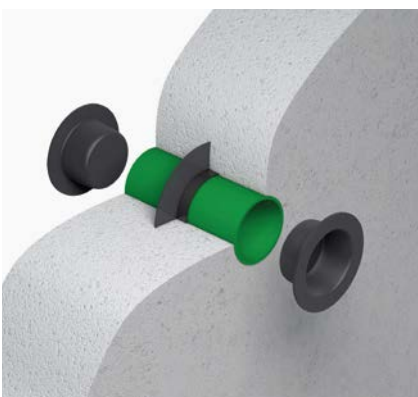
- Material: PVC/PP
- DN 110–160
- PENTAFLEX® waterstop
- Wall thickness  
Standard: 240, 250, 300 mm  
Warning: DN 160 minimum wall thickness 300 mm



### Transwand SML

For connecting SML pipes

- Material: Cast steel
- Polystyrene sleeves
- DN 100–200
- PENTAFLEX® waterstop
- Wall thickness  
Standard: 240, 250, 300 mm



### Protective tube

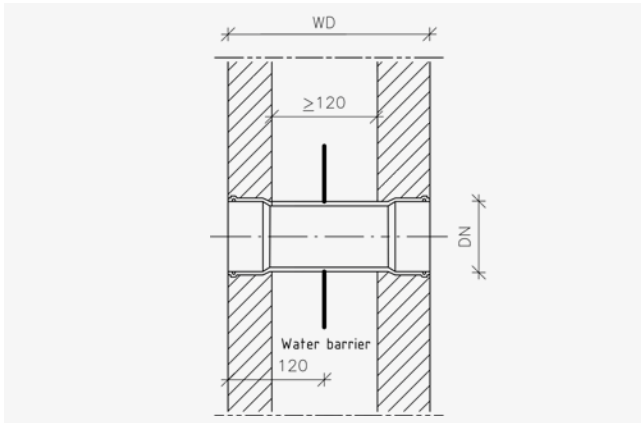
For routing supply pipes through structural components

- Material: PVC/PP
- DN 110–160
- PENTAFLEX® waterstop
- Wall thickness  
Standard: 240, 250, 300 mm

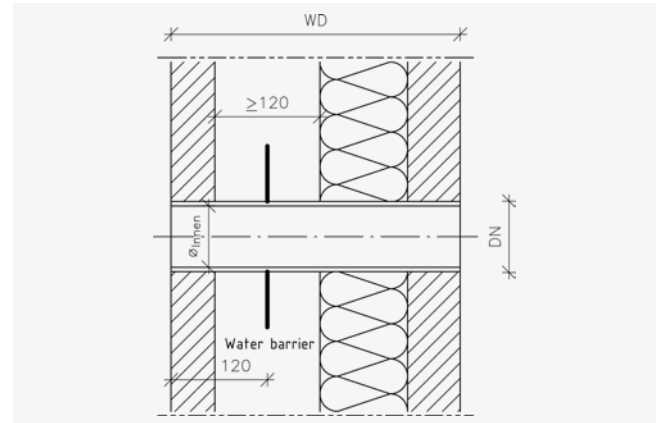
# Transwand/protective tube

## Technical information

### Used in walls with interior insulation



Transwand DM in element wall



Protective tube in an element wall with interior insulation

## Pipe dimensions

DN mm	100		110		125		150		160		200	
Ø	Inside	Outside	Inside	Outside	Inside	Outside	Inside	Outside	Inside	Outside	Inside	Outside
<b>Material PP</b>	-	-	103.2	110.0	117.2	125.0	-	-	150.2	160.0	187.6	200.0
<b>Material PVC</b>	-	-	103.6	110.0	118.6	125.0	-	-	152.0	160.0	190.2	200.0
<b>Material SML</b>	103	110	-	-	127	135	152	160	-	-	200	210

### Installation instructions

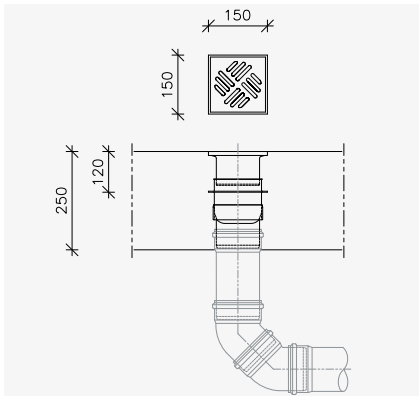
- Remove the marked cover.
- Attach the marked cover (usually to the exterior formwork) with great precision, paying attention to the planned connection direction of the on-site pipelines
- Attach the pipe lead-through to the secured cover
- If necessary, also fix the pipe in place using binding wire
- Remove the protective film from the waterstop
- When closing, press the interior formwork against the second cover of the lead-through
- To connect on-site pipelines, remove the cover on both sides and use the supplied sealing rings



Other materials and dimensions available on request



## Floor drain



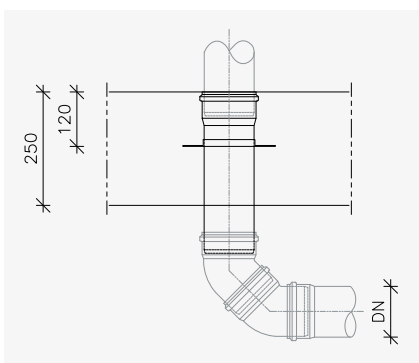
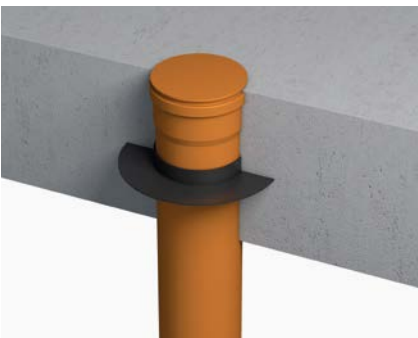
### Basic information

For connecting to pipes

- Material: PP
- DN 110
- PENTAFLEX® waterstop
- Attachment piece 150×150 mm, adjustable by 50 mm
- Odour trap (removable)
- Attachment
- Slotted grate 138×138 mm ABS, stainless steel or can be tiled
- Load capacity of 0.3 t depending on design
- Walkable

### Installation instructions

1. Measure out the position of the floor drain
2. Install the ground pipe ensuring that the outflow is correctly positioned pointing upwards
3. Raise the ground pipe to the required height
4. Insert the floor drain into the ground pipe and fix it in place (using the sealing ring)
5. Remove the protective film from the waterstop
6. Cast the floor slab, check everything is in position
7. Depending on structure of the flooring, the attachment piece can later be pulled out to up to 50 mm further



### Basic information

For attaching pipe sleeves

- Material: PVC, PP
- DN 110-160
- PENTAFLEX® waterstop
- Pipe length: 500 mm

### Installation instructions

1. Measure out the position for the floor lead-through
2. Install the ground pipe ensuring that the outflow is correctly positioned pointing upwards
3. Determine the required length of the floor lead-through
4. Trim the floor lead-through, insert it into the ground pipe and fix it in place (using the sealing ring)
5. Insert the cover into the sleeve. Be aware of the risk of contamination.



# PENTAFLEX® OPTI wall strengthener

## Waterproof tie point

### The product

PENTAFLEX® OPTI wall strengtheners consist of a plastic tube with an interior diameter of 22 mm and integrated waterstops.

In addition, the wall strengthener is provided with a tried-and-tested PENTAFLEX® coating to ensure a watertight bond between the tie point and the concrete. Sealing stopper strips and OPTI stoppers turn the PENTAFLEX® OPTI wall strengthener into an easily manageable tie point that is resistant to water under pressure.

### Area of application

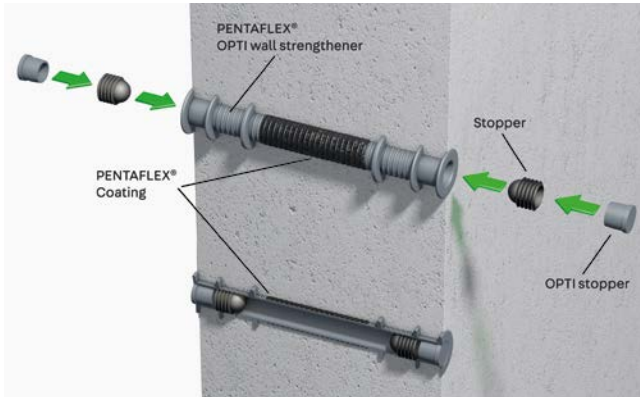
PENTAFLEX® OPTI wall strengtheners are specially designed for use as watertight formwork tie points for watertight concrete structural elements. They are available for all wall thicknesses used in the watertight concrete construction sector.



### Benefits

- Tested for watertightness: Up to 5 bar in the direction of stopper insertion
- Tried-and-tested PENTAFLEX® coating for additional reliability
- Can be closed immediately after stripping the formwork
- Install and seal in any weather

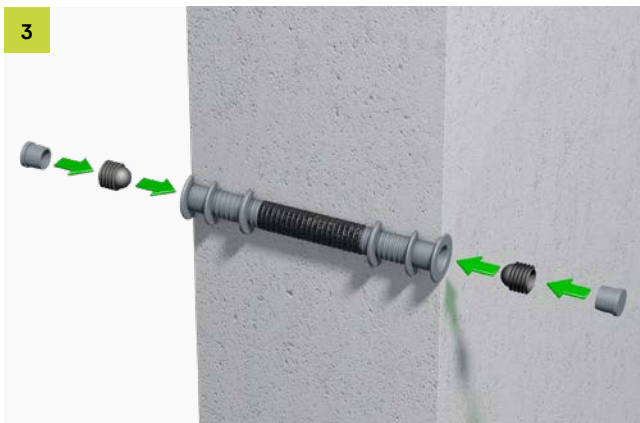
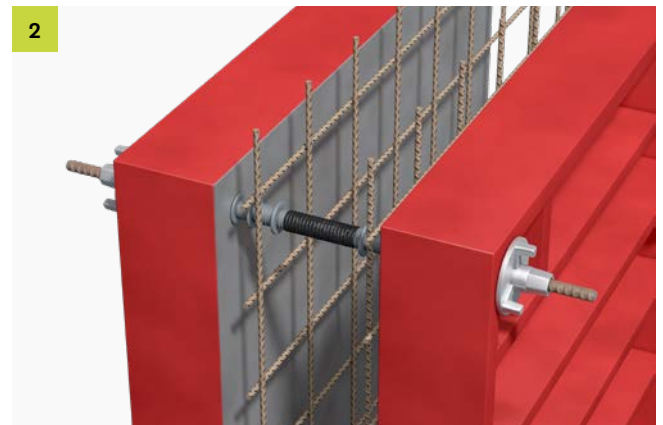
## Technical information



### Basic information

- Plastic tie points with integrated waterstops
- Available as standard in lengths of 240 mm, 250 mm, 300 mm, 350 mm, 365 mm and 400 mm
- Inside diameter 22 mm
- Sealing stopper strips included
- Other dimensions available on request

## Installation instructions



# Design and construction

## of watertight concrete structures\*

### Basic principles

Watertight reinforced concrete structures known as "white tanks" have been built for over 30 years to prevent the ingress of water into buildings. Thanks to many years of practice and experience, this method of construction is an economical way of providing protection against water under pressure. The German watertight concrete guideline sets out the generally accepted technical rules and standards for this type of structure.

The watertightness of a structure is defined by its ability to prevent or limit water seepage through concrete, construction joints, crack control joints, expansion joints, assembly elements and cracks.

#### This means that

- All joints must be sealed
- The concrete must satisfy stringent requirements
- Minimum component thicknesses must be observed
- Separating cracks must be avoided
- Crack widths in structural components must be limited
- The pressure-resistant zones must be of a certain height
- Construction joints, crack control joints and expansion joints must be arranged and formed as planned

### Area of application

- The German watertight concrete guideline applies to floor slabs, walls, ceilings (not intermediate ceilings) and roofs
- The German watertight concrete guideline likewise applies to tanks, retaining walls and underground civil engineering structures
- The German watertight concrete guideline does not apply to structures governed by the German additional technical terms of contract and guidelines for civil engineering structures (ZTV-ING), the German additional technical contract conditions for hydraulic (reinforced) concrete structures (ZTV-W), concrete prefabricated garages and containers

### Planning tasks

The usage requirements and necessary arrangements for the structure's fitness for purpose and stability are defined and implemented during planning. The project planner is responsible for this.

#### The following parties are involved

- Designer/architect (coordinator)
- Geotechnical engineer
- Structural engineer
- Contractor (work scheduling)
- Client
- Building physicist
- Work coordinator
- Planning expert (specialist)

#### The following tasks and measures must be taken into consideration

- Requirements planning
- Type of stress (soil survey)
- Type of usage and start of use
- Component-related design principles
- Structural, concrete-related and construction measures in accordance with the design principle
- Component dimensions
- Planning the joint sealing system
- Planning assembly components and penetrations
- Watertight concrete design
- Documentation of all specifications

\* Source: German Committee for Structural Concrete (DAfStb) guideline "Watertight structures made of concrete" and DAfStb data sheet 555 Notes on the DAfStb guidelines "Watertight structures made of concrete".



# Specifications

The German watertight concrete guideline stipulates that water seepage through concrete, joints, assembly components and cracks must be limited.

### Stress classes

There are two stress classes. The difference between them lies in whether there is water against the structure or whether there is merely moisture in the soil and/or water flowing down the walls.

Stress class 1	Stress class 2
<ul style="list-style-type: none"> <li>• Constant or occasional water under pressure</li> </ul>	<ul style="list-style-type: none"> <li>• Soil moisture and free-flowing water by the wall</li> </ul>

### Usage classes

The German watertight concrete guideline distinguishes between two usage classes. These are defined by the intended use, the required indoor climate and the moisture level of the component's surface.

Usage class A	Usage class B
<ul style="list-style-type: none"> <li>• No damp spots caused by water seepage on the side of the component's surface exposed to air</li> <li>• No cracks or joints channelling water</li> </ul>	<ul style="list-style-type: none"> <li>• Damp spots are permitted on the side of the component's surface exposed to air</li> <li>• Temporary and self-healing water-channelling cracks</li> <li>• No accumulation of water on the component's surface</li> </ul>

#### Application examples:

- Standard for residential buildings and offices
- Storage rooms for high-value goods

#### Application examples:

- Single garages, underground car parks
- Installation and supply shafts
- Building services rooms
- Storage rooms with simple requirements

# Design principles

## Separating cracks must be avoided

Force stresses in concrete that can result in the formation of water-channelling separating cracks can be avoided using suitable structural, concrete-related and construction measures.

## Specifying the width of separating cracks

This principle controls and/or predefines the crack width by providing extra reinforcement for the concrete structure. Water seepage is limited by the use of self-healing concrete.

## Specifying the width of separating cracks in combination with sealing measures

The third design principle draws on the minimum requirements for the theoretical widths of separating cracks set out in DIN EN 1992-1-1. Water-channelling cracks are subsequently sealed using the planned sealing measures.

## Concrete-related and design requirements

When selecting a suitable concrete, the requirements for the exposure class that applies to the structural component (specified in DIN EN 1992-1-1/NA) must be observed. Furthermore, the requirements for concrete with a high resistance to water penetration (specified in DIN EN 206-1 and DIN 104-2) must be taken into account.

Sufficient workability can be guaranteed by using consistency class F3 or softer. When designing watertight components with minimum component thicknesses, an equivalent water/cement ratio of  $\leq 0.55$  must be used for stress class 1. For walls, the maximum particle size that may be used is  $\leq 16$  mm. If the drop height is more than 1 m, or if using element walls with a minimum wall thickness, a joint mixture (maximum grain

$\leq 8$  mm) must be used in the footing area at heights  $\geq 300$  mm to ensure that the concrete is installed without any voids.

## Component thickness

The following minimum thicknesses of structural components are specified in the German watertight concrete guideline as a table, based on many years of experience with in-situ concrete and prefabricated components.

The minimum thickness and construction of the structural components must therefore be selected so that the concrete structural components can be properly cast, taking the concrete covering, the required reinforcement layers, the joint seals and the assembly elements into account. All the other required properties must be fulfilled besides being load-bearing and having a sealing function.

In addition to the recommended minimum dimensions, there are special requirements for the clear inside dimension  $b_{w,i}$ . This is to ensure that casting is possible and to allow professional installation of the inner joint seal. This requirement applies to in-situ concrete walls between the layers of reinforcement and to element walls without reinforcement in the in-situ concrete topping added between the inside surfaces of the prefabricated slabs.

### Minimum inside dimension:

- For a maximum particle size of 8 mm  $b_{w,i} \geq 120$  mm
- For a maximum particle size of 16 mm  $b_{w,i} \geq 140$  mm
- For a maximum particle size of 32 mm  $b_{w,i} \geq 180$  mm

If the resulting component thicknesses are larger than the minimum dimensions given in the table below, the resulting component thicknesses take precedence.

Type	Stress class	Minimum thickness in mm		
		In-situ concrete	Element walls	Prefabricated components
Walls	1	240	240 (120 <sup>b</sup> )	200
	2	200	240 <sup>a</sup> (120 <sup>b</sup> )	100
Floor slab	1	250	-	200
	2	150	-	100
Roofs without thermal insulation	1	200	240 (180 <sup>b</sup> )	180
Roofs with thermal insulation	1	180	220 (160 <sup>b</sup> )	160

<sup>a</sup> This can be reduced to 200 mm if particular concrete-related and construction measures are taken.

<sup>b</sup> Minimum values for the in-situ concrete topping. Section 7.1 (2) of the German watertight concrete guideline applies to watertight concrete. Additional requirements for the clear inside dimensions set out in Section 7.2 (3) of the guideline may need to be met if additional reinforcements and inside joint seals are used.

# Calculations and dimensions

## Effects

- Direct effects (loads)
- Indirect effects (temperature, shrinkage, settling)
- Chemical and physical effects (classification into exposure classes)

## Bedding conditions

- Subsoil, insulation, subbase, sliding layers

## Force

- From fully or partially impeded deformation
- From atmospheric factors

## Certification

- Proof of watertightness is an additional proof of fitness for purpose as defined by DIN 1045-1, section 5.4.1, paragraph 2.

## Basics

Verification depending on the design principle. For bending cracks resulting from loads and forces, it is necessary to prove for usage class A, stress class 1, that the pressure zone height ( $x$ ) fulfils the condition  $x \geq 30 \text{ mm}$  and  $\geq 1.5 D_{\text{max}}$ , where  $D_{\text{max}}$  is the maximum aggregate particle diameter.

Alternative: limit the width of bending cracks ( $w_k$  in line with table 2)

## Proof of design principle A

The central tensile stress must not exceed the characteristic tensile strength of the concrete at any time.

## Proof of design principle B

See the table of theoretical separating crack widths for usage class B and the design principle B if water seepage is to be limited by self-healing cracks.

Pressure gradient $h_w/h_b^*$	Maximum head of water $h_w^a$	Permissible crack width $w_k^b$
10	3.0 m	0.20 mm
> 10 to ≤ 15	6.0 m	0.15 mm
> 15 to ≤ 25	10.0 m	0.10 mm

<sup>a</sup>  $h_w$  = head of water in m;  $h_b$  = component thickness in m

<sup>b</sup> Crack self-healing must not be factored in to the calculation in regions with aggressive waters with > 40 mg/l CO<sub>2</sub> (lime-dissolving carbonic acid) or with pH < 5.5

## Proof of usage class A

The required proofs are based on the selected design principle of usage class A. In this case, it must be verified that no separating cracks occur in the concrete as a result of force. The exceptions to this are the planned and sealed joints. This includes the crack control joints, construction joints and expansion joints that reduce the force exerted on the structural components as a result of their arrangement in a pattern that must be determined. The widths of the cracks that occur are limited by the design of the crack control and construction joints and/or the rebar layout. Example of usage class A: Standard for residential buildings and rooms with high-grade usage.

## Proof of usage class B

The required proofs are based on the selected design principles of usage class B. Its requirements are met by limiting the width of separating cracks with the assumption that the cracks are self-healing. The widths of the cracks that occur are limited by the design of the crack control and construction joints and/or the rebar layout. Example of usage class B: Single garages, underground car parks and storage rooms with simple requirements.

## Proof of design principle C

Theoretical crack width  $w_k = 0.30 \text{ mm}$  with XC2/XC3

## Reinforcement and design rules

The layout of the reinforcement in the structural components must be designed to allow the fresh concrete to be cast and compacted correctly. Watertight components of stress class 1 must be manufactured with two layers of rebar mesh composed of criss-crossing reinforcing elements. This is not required for prefabricated components of stress class 2. The construction joints must be defined by the planner and presented as a draft design. In accordance with the defined stress and usage class, all joints in watertight components must be permanently protected by a continuous and consistent joint sealing system that is impermeable to water.

Crack control joints are caused by sufficiently weakening the concrete cross-section (at least 1/3 of the structural component's thickness) and must be sealed accordingly.

Special crack control elements guarantee that both requirements are met, making them suitable for structures of usage class A. Element wall joints should generally be designed as crack control joints.

## Joint seals

Only products whose intended purpose is verified by a proof of usability certificate may be used for joint seals in watertight components. All of the joint seals that engage with the concrete must be precisely placed according to the design, connected to the joints and forcefully and permanently secured in position prior to casting the concrete.

### Sealing system

### Regulations in line with German watertight concrete guideline

Joint tapes in line with DIN 7865 and DIN 18541	Usage in line with DIN 18197
Uncoated joint sheets in line with DIN EN 10051	Usage in line with German watertight concrete guideline, section 10.2
Unregulated construction products: <ul style="list-style-type: none"> <li>• Joint tapes in line with factory standard</li> <li>• Combination construction joint tapes</li> <li>• Exterior strip-shaped joint seals</li> <li>• Coated joint sheets</li> <li>• Leaktight pipes</li> <li>• Pressure-injected injection hoses</li> <li>• Swellable joint inserts</li> </ul>	Proof of usability is required ETA - European Technical Assessment abP - German building code test certificate (Allgemeines bauaufsichtliches Prüfzeugnis)



## Construction

### General information

Reinforcement work, concrete casting, curing and construction supervision must be carried out in accordance with DIN EN 13670 in conjunction with DIN 1014-3.

### Spacers and formwork anchors

The spacers and formwork anchors used must not affect the watertightness of the structure locally (see DBV fact sheets on spacers and supports in line with EC 2).

### Manufacture, delivery and assembly of prefabricated components and semi-prefabricated components and casting in-site concrete

- Surfaces against which concrete is cast in-situ must be of a quality that guarantees a void-free bond
- This means that the entire bonding surface must have a rough grain
- The average surface roughness depth must be at least 1.5 mm
- Proper assembly must be ensured
- Construction joints must be cleaned of contamination before assembly
- Element wall panels must be elevated by at least 30 mm
- The inside surfaces must be sufficiently pre-wetted before casting the concrete core
- The surface temperature of the element wall must be above 0°C
- The core concrete is laid in layers, generally 500 mm high
- Observe the concreting speed specified by the manufacturer
- Ensure that the concrete is carefully compacted
- All measures must be suitably documented

## Sealing cracks and repairing defects

Cracks, leaking joints and permeability in the concrete structure must be sealed as described in the DAfStb guidelines on protecting and repairing concrete components.

The **DBV leaflet "Coated joint sheet metal systems"** (DBV, March 2023) summarises planning instructions and regulations in accordance with the requirements of the WU Guideline of the German Committee for Reinforced Concrete e.V. and provides important application aids for the execution.

PENTAFLEX KB meets all the requirements of the leaflet and also corresponds in combination with formwork elements, reinforcement connections or predetermined breaking elements all the requirements set out in the leaflet for WU constructions.

# Our synergy concept for your benefit

**With us, you can take advantage of the collective experience of three established manufacturers that combine products and expertise in one comprehensive offer. That is the PohlCon synergy concept.**



## **Full service consulting**

Our extensive network of consultants is available to answer all of your questions about our products on site. From planning to deployments, enjoy personal support from our qualified professionals.



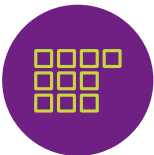
## **Digital solutions**

Our digital offerings offer targeted support in planning with our products. From tender texts through CAD details and BIM data to modern software solutions, we offer you tailored support for your planning.



## **7 areas of application**

We think in holistic solutions, which is why we have grouped our products into seven areas of application for you where you can benefit from the synergy of the PohlCon product portfolio.



## **10 product categories**

To help you find the right product in our extensive range even faster, the products are grouped into ten product categories so you can navigate clearly between our products.



## **Individual special solutions**

There's no mass produced-product on the market that is suitable for your project? We master extraordinary challenges with the many years of expertise of our three manufacturing brands in the sector of individual solutions, allowing us to realize your unique construction projects together.



All rights reserved. Reprinting and any electronic reproduction only authorised with our written permission. Errors excepted and subject to technical changes. No liability can be accepted by the publisher on any legal basis whatsoever. This publication supersedes all previous versions of the document, thereby rendering them invalid.

**PohlCon GmbH**

Nobelstr. 51  
12057 Berlin  
Germany

T +49 30 68283-04  
F +49 30 68283-383

[www.pohlcon.com](http://www.pohlcon.com)