

To be filled by PohlCon
(S.-No.)

ORDER FORM

Shuttering elements

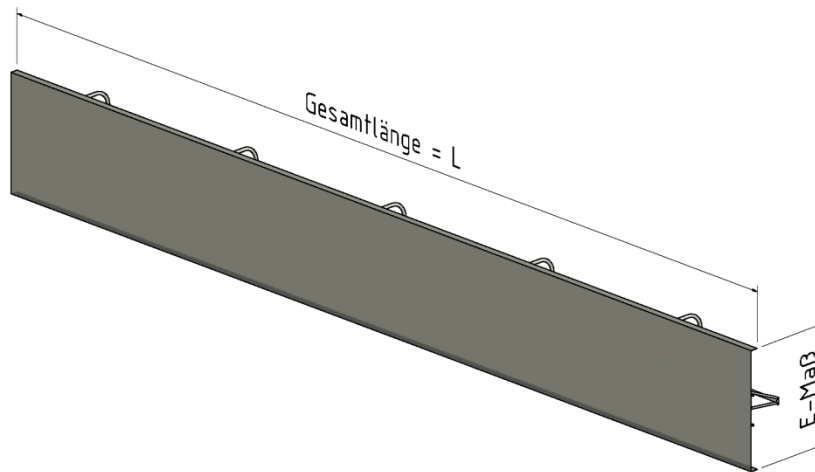
BP06

Stand: 2023-03-18

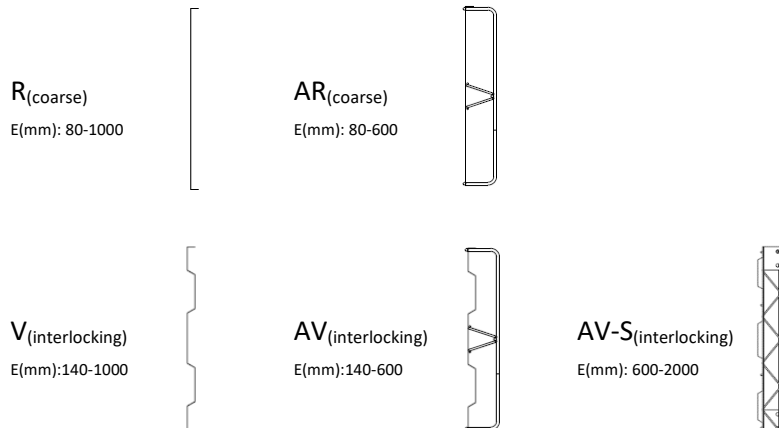
Customer:	Project:
Com.:	Element:

Type R, AR / Type V, AV, AV-S

Without opening for joint sheet



Profile



Measurements

L = _____ mm For lengths over 2.40 m, the delivery will be of at least two pieces

E = _____ mm other dimensions possible after technical clarification

Comments

Authorized by: _____ on the: _____

Subject to change for technical production reasons