

To be filled by PohlCon
(S.-No.)

ORDER FORM

PENTAFLEX® Shuttering element

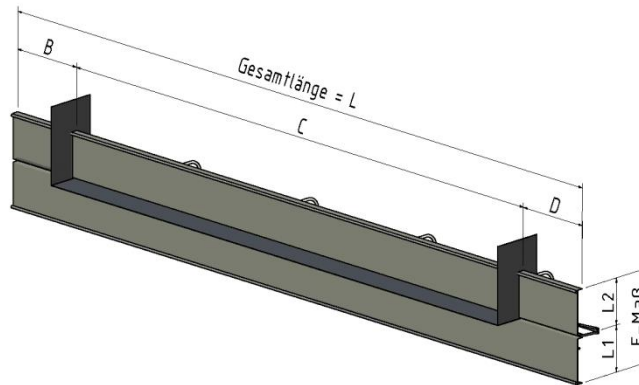
BP02

Stand: 2023-03-16

Customer:	Project:
Com.:	Element:

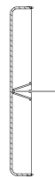
Type ABS (Floor-Floor / Ceiling-Ceiling)

For sealed joints between two slabs, with Floor-Wall joints



Profile

ABS-R_(coarse)
E (mm): 80-590



ABS-V_(interlocking)
E (mm): 140-590



ABS-VS_(interlocking)
E (mm): 600-2240



Measurements

L = _____ mm For lengths over 2,40 m, the delivery will be of at least two pieces

E = _____ mm B = _____ mm

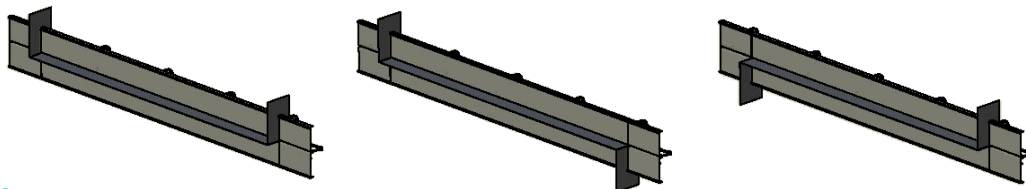
D = _____ mm

Joint position

Centered

Not-centered L1 = _____ mm L2 = _____ mm

Joint variant



Comments

Authorized by: _____ on the: _____

Subject to change for technical production reasons