

# ORDER FORM

To be completed by  
H-BAU Technik (S.-no.)



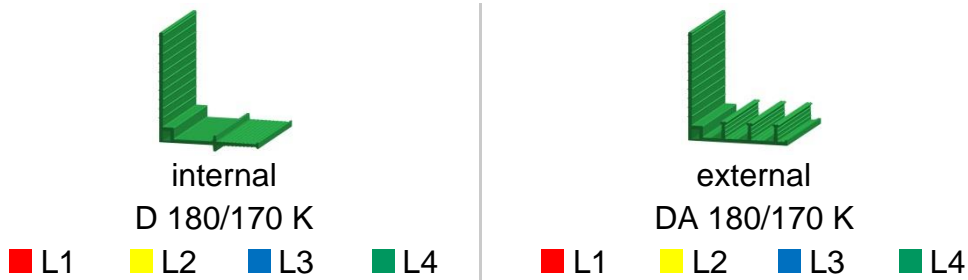
## KUNEX® welded clamped construction

BK32

Rev. 02 dated: 2023-03-13

Customer:	Project:
Com.:	Element:

### Clamped joint tape according to DIN 18541-2



### Dimensions

- L1 = \_\_\_\_\_ mm
- L2 = \_\_\_\_\_ mm
- L3 = \_\_\_\_\_ mm
- L4 = \_\_\_\_\_ mm

### Anforderungen an das Fugenband

- bitumen-compatible (BV)
- non bitumen-compatible (NB)

### Number

\_\_\_\_\_ pieces

Manufacturing tolerances according to  
DIN 16941 and DIN 18020 table 1:

- Length ≤ 3000mm = ± 15mm
- Length 3000mm – 6000mm = ± 20mm
- Length > 6000mm = ± 30mm

Note:  
Dimensional deviations of up to 3% are possible due to  
external influences such as temperature and storage  
conditions.

## Please select joint tape profile on page 2

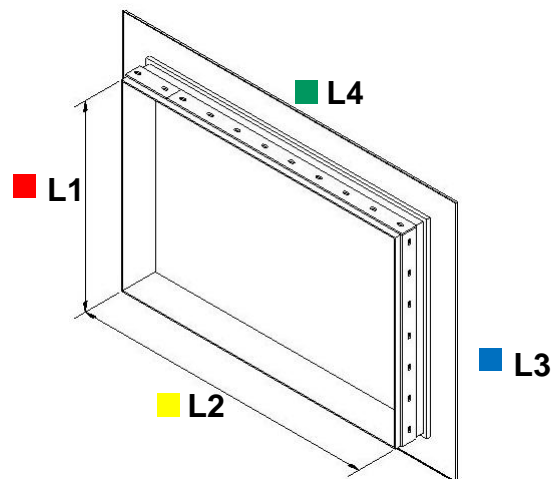
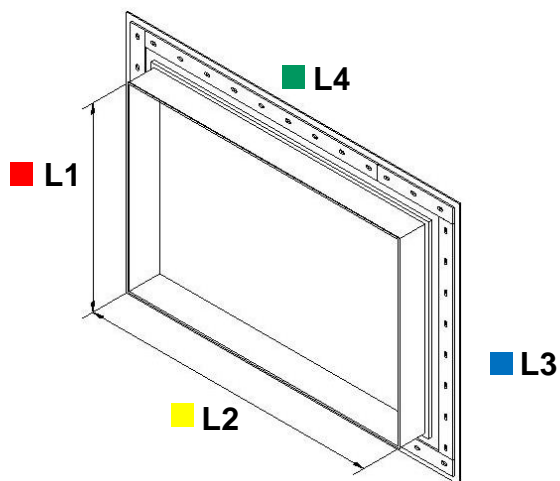
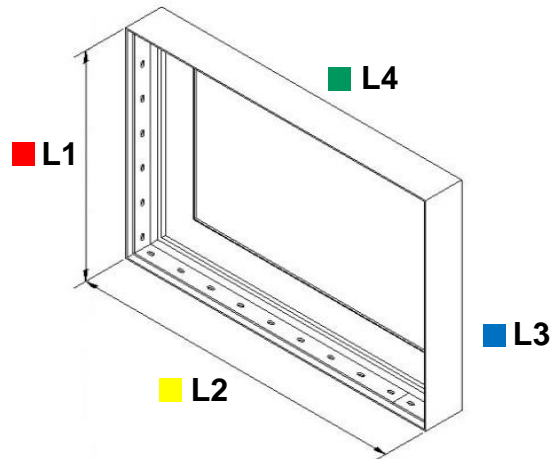
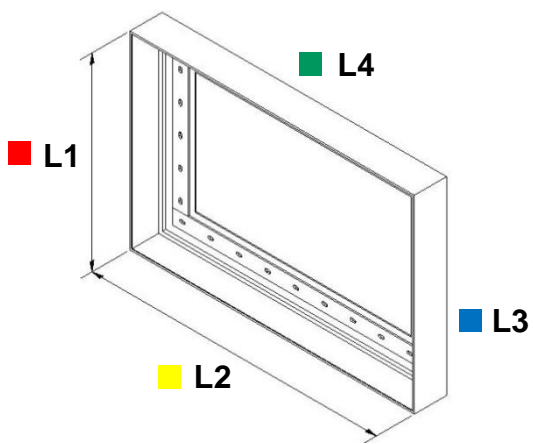
To be completed by  
H-BAU Technik (S.-no.)

---

# ORDER FORM

**KUNEX®** clamped construction

BK32



Released by \_\_\_\_\_ date: \_\_\_\_\_