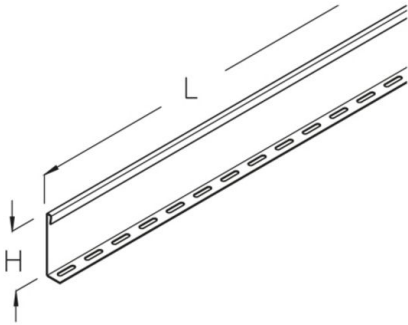


## WTR 200

wide-span separating strip, height = 100 mm

Wide-span separating strip, fastening elements included.

Suitable for wide-span cable tray WL(R) 200.



### Continuously hot galvanized (Sendzimir process) (DIN EN 10346)

Product	H	B	L	t	G
WTR 200S	100 mm	25 mm	3000 mm	0,75 mm	3,23 kg
incl.:					
3x FRSV 6X12	round-head screw with short square, DIN 603				
3x SEMS 6	hexagon-nut with flange, DIN EN 1661				

### Hot-dip galvanized, according to BS 729 (DIN EN ISO 1461)

Product	H	B	L	t	G
WTR 200F	100 mm	25 mm	3000 mm	0,75 mm	3,46 kg
incl.:					
3x FRSV 6X12E	round-head screw with short square, DIN 603				
3x SEMS 6E	hexagon-nut with flange, DIN EN 1661				

**H:** height  
**B:** width  
**L:** length  
**t:** material thickness  
**G:** weight

