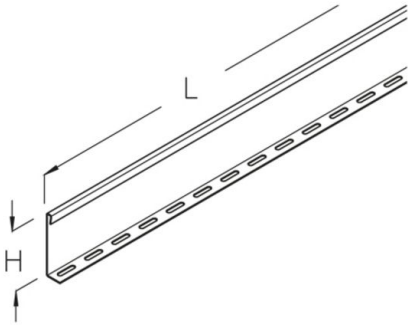


## WPTR 120

wide-span separating strip, height = 80 mm

wide-span separating strip, fastening elements included

This article is available made in material No. 1.4571/1.4404 (V4A) stainless steel finish.



### Continuously hot galvanized (Sendzimir process) (DIN EN 10346)

Product	H	L	G
WPTR 120S	80 mm	3000 mm	2,63 kg
incl.:			
3x FRSV 6X12	round-head screw with short square, DIN 603		
3x SEMS 6	hexagon-nut with flange, DIN EN 1661		

### Hot-dip galvanized, according to BS 729 (DIN EN ISO 1461)

Product	H	L	G
WPTR 120F	80 mm	3000 mm	2,82 kg
incl.:			
3x FRSV 6X12E	round-head screw with short square, DIN 603		
3x SEMS 6E	hexagon-nut with flange, DIN EN 1661		

**H:** height  
**L:** length  
**G:** weight

