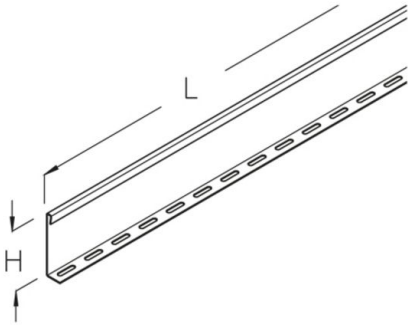


WPTR 100

wide-span separating strip, height = 50 mm

wide-span separating strip, fastening elements included

This article is available made in material No. 1.4571/1.4404 (V4A) stainless steel finish.



Stainless steel, according to ASTM 304 / BS 304 S 3

Product	H	L	G
WPTR 100E	50 mm	3000 mm	2,05 kg
incl.:			
3x FRSV 6X12E	round-head screw with short square, DIN 603		
3x SEMS 6E	hexagon-nut with flange, DIN EN 1661		

H: height
L: length
G: weight

