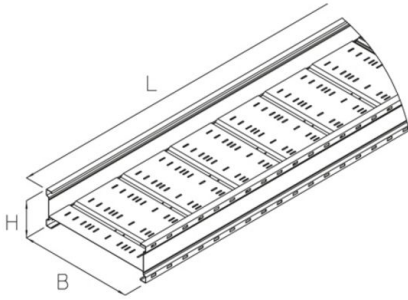


WLR 200

wide-span cable tray, height = 200 mm

wide-span cable tray, additional transverse rigidity due to welded and ripped inlay sheet, certified including electrical conductivity according to DIN EN 61537



Continuously hot galvanized (Sendzimir process) (DIN EN 10346)

Product	H	B	L	t	A	Q _{SK}	G
WLR 200-30S	202 mm	332 mm	6000 mm	2,00 mm	428 cm ²	0,64 kN/m	70,42 kg
WLR 200-40S	202 mm	432 mm	6000 mm	2,00 mm	572 cm ²	0,86 kN/m	76,29 kg
WLR 200-50S	202 mm	532 mm	6000 mm	2,00 mm	716 cm ²	1,07 kN/m	82,15 kg
WLR 200-60S	202 mm	632 mm	6000 mm	2,00 mm	860 cm ²	1,29 kN/m	88,02 kg
WLR 200-20S	202 mm	232 mm	6000 mm	2,00 mm	284 cm ²	0,43 kN/m	64,73 kg

Hot-dip galvanized, according to BS 729 (DIN EN ISO 1461)

Product	H	B	L	t	A	Q _{SK}	G
WLR 200-30F	202 mm	332 mm	6000 mm	2,00 mm	428 cm ²	0,64 kN/m	75,39 kg
WLR 200-40F	202 mm	432 mm	6000 mm	2,00 mm	572 cm ²	0,86 kN/m	81,67 kg
WLR 200-50F	202 mm	532 mm	6000 mm	2,00 mm	716 cm ²	1,07 kN/m	87,95 kg
WLR 200-60F	202 mm	632 mm	6000 mm	2,00 mm	860 cm ²	1,29 kN/m	94,23 kg
WLR 200-20F	202 mm	232 mm	6000 mm	2,00 mm	284 cm ²	0,43 kN/m	69,31 kg

H: height
B: width
L: length
t: material thickness
A: cross section area
Q_{SK}: distributed load control cable



G: weight

OPTIONAL ACCESSORIES

WLD, WLDR, WLHS



Do not walk upon!

