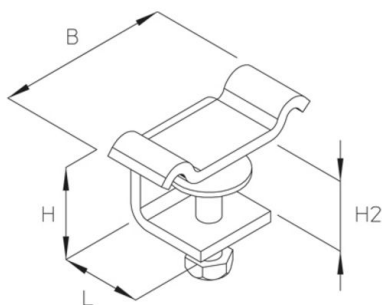


# WLKLT

clamp - wide-span cable ladder

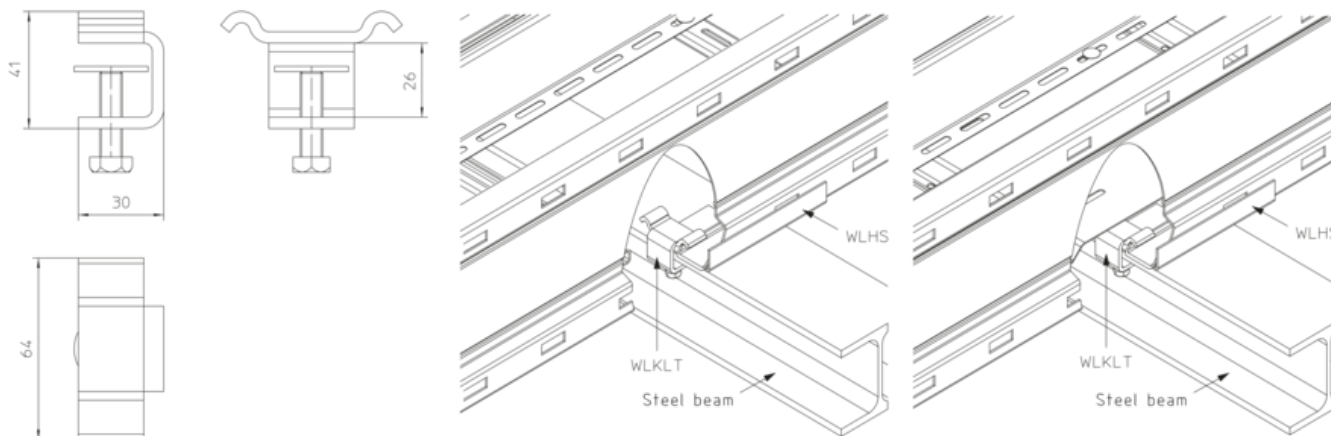


Hot-dip galvanized, according to BS 729 (DIN EN ISO 1461)

Product	H	B	L	t	G
WLKLT F	41 mm	64 mm	30 mm	4,00 mm	0,12 kg

**H:** height  
**B:** width  
**L:** length  
**t:** material thickness  
**G:** weight

## DETAILS / APPLICATIONS



## OPTIONAL ACCESSORIES

WLHS

