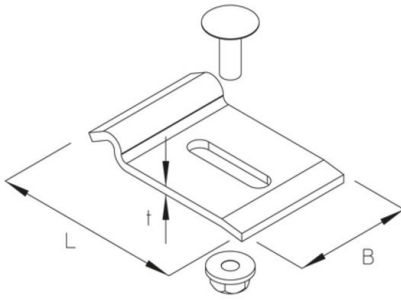


WLKL

clamping assembly - wide-span cable ladder

Suitable for wide-span cable ladder WL(R) 200.

Applies only for securing the position.



Continuously hot galvanized (Sendzimir process) (DIN EN 10346)

Product	B	L	t	G
WLKL S	40 mm	60 mm	3 mm	0,09 kg
incl.:				
1x FRSV 6X16	round-head screw with short square, DIN 603			
1x SEMS 6	hexagon-nut with flange, DIN EN 1661			

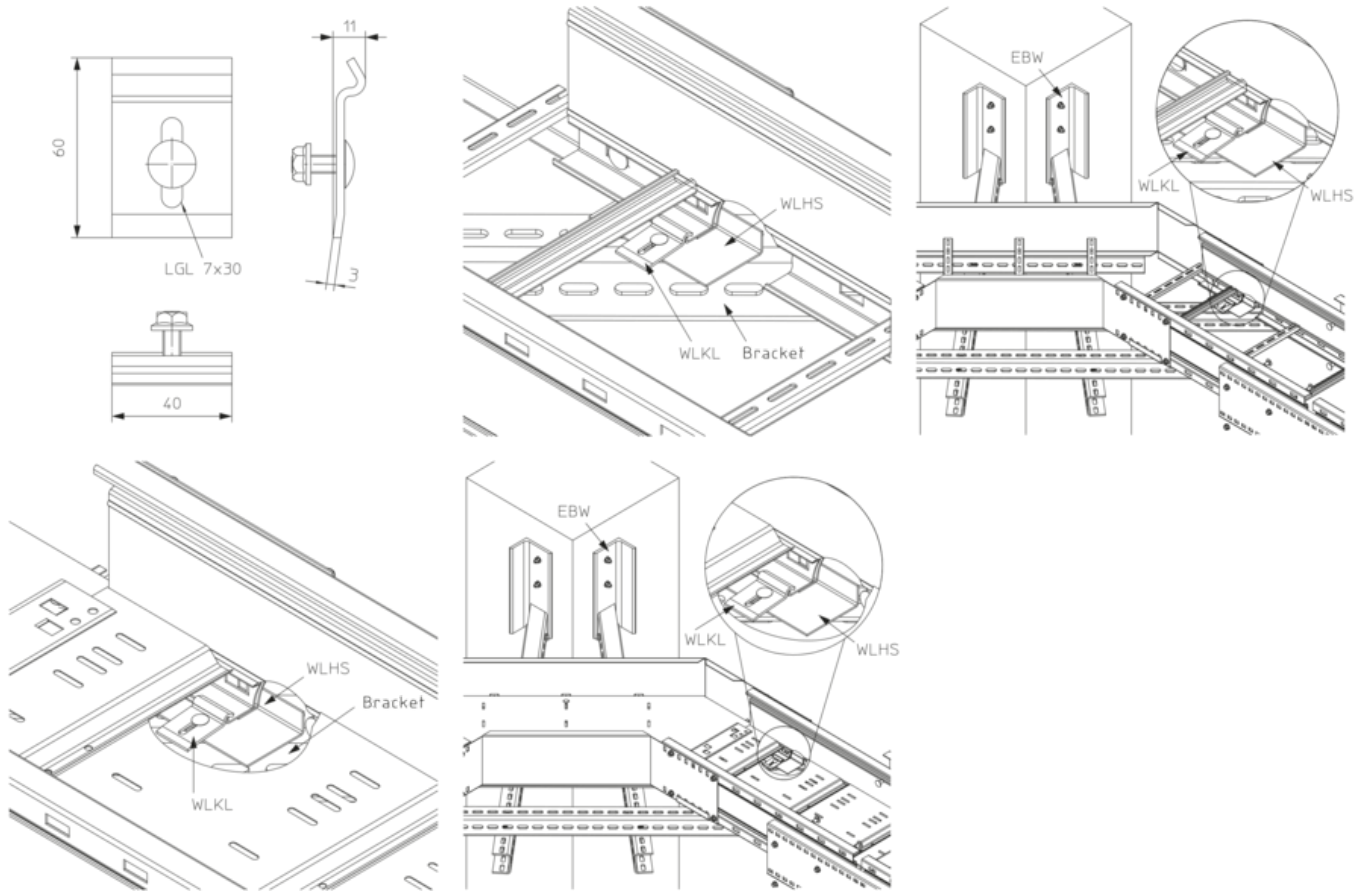
Hot-dip galvanized, according to BS 729 (DIN EN ISO 1461)

Product	B	L	t	G
WLKL F	40 mm	60 mm	3 mm	0,09 kg
incl.:				
1x FRSV 6X16E	round-head screw with short square, DIN 603			
1x SEMS 6E	hexagon-nut with flange, DIN EN 1661			

B: width
L: length
t: material thickness
G: weight

DETAILS / APPLICATIONS





OPTIONAL ACCESSORIES

WLHS

