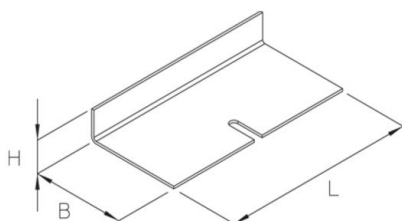


## WLHS

wide-span cable ladder rail support

Suitable for wide-span cable tray WL(R) 200.



Continuously hot galvanized (Sendzimir process) (DIN EN 10346)

Product	H	B	L	t	G
WLHS S	25 mm	73 mm	150 mm	2,00 mm	0,20 kg

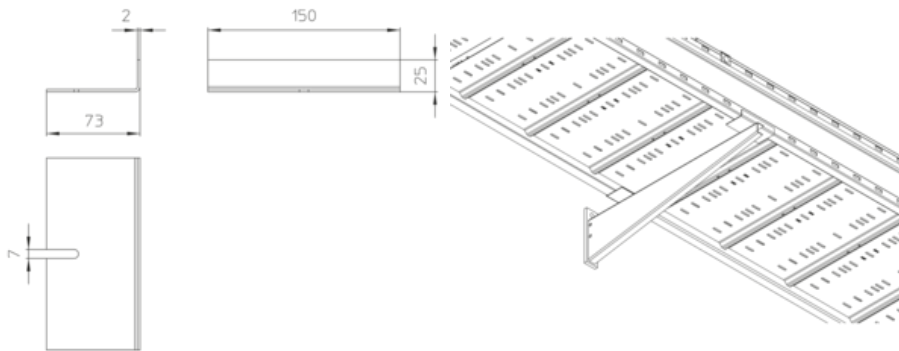
Hot-dip galvanized, according to BS 729 (DIN EN ISO 1461)

Product	H	B	L	t	G
WLHS F	25 mm	73 mm	150 mm	2,00 mm	0,22 kg

**H:** height  
**B:** width  
**L:** length  
**t:** material thickness  
**G:** weight

## DETAILS / APPLICATIONS





## OPTIONAL ACCESSORIES

WLKL, WLKLA, WLKLT

