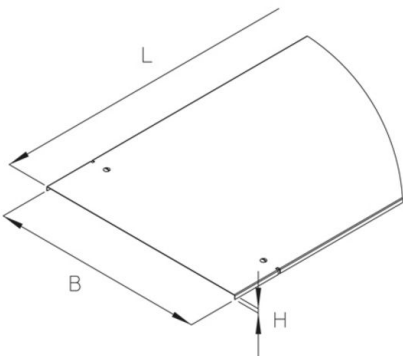


WLDR

wide-span cable ladder cover with turning bolts

Cover for wide-span cable ladders. With additional turning bolts.



Continuously hot galvanized (Sendzimir process) (DIN EN 10346)

Product	B	L	t	G
WLDR 20S	237 mm	3000 mm	0,75 mm	4,68 kg
WLDR 30S	337 mm	3000 mm	1,00 mm	8,55 kg
WLDR 40S	437 mm	3000 mm	1,00 mm	10,91 kg
WLDR 50S	537 mm	3000 mm	1,25 mm	16,55 kg
WLDR 60S	637 mm	3000 mm	1,25 mm	19,49 kg

Hot-dip galvanized, according to BS 729 (DIN EN ISO 1461)

Product	B	L	t	G
WLDR 20F	237 mm	3000 mm	0,75 mm	5,00 kg
WLDR 30F	337 mm	3000 mm	1,00 mm	9,15 kg
WLDR 40F	437 mm	3000 mm	1,00 mm	11,67 kg
WLDR 50F	537 mm	3000 mm	1,25 mm	17,71 kg
WLDR 60F	637 mm	3000 mm	1,25 mm	20,85 kg

B: width
L: length
t: material thickness
G: weight



DETAILS / APPLICATIONS

