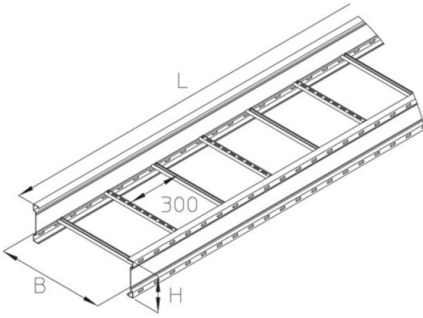


WL 200

wide-span cable ladder, height = 200 mm

Wide-span cable ladder, additional transverse rigidity due to welded rungs made of profile rungs. Electrical conductivity tested according to DIN EN 61537.



Continuously hot galvanized (Sendzimir process) (DIN EN 10346)

Product	H	B	L	t	A	Q _{LK}	G
WL 200-30S	202 mm	300 mm	6000 mm	2,00 mm	430 cm ²	1,20 kN/m	57,98 kg
WL 200-40S	202 mm	400 mm	6000 mm	2,00 mm	574 cm ²	1,61 kN/m	59,76 kg
WL 200-50S	202 mm	500 mm	6000 mm	2,00 mm	719 cm ²	2,01 kN/m	61,52 kg
WL 200-60S	202 mm	600 mm	6000 mm	2,00 mm	863 cm ²	2,42 kN/m	63,23 kg
WL 200-20S	202 mm	200 mm	6000 mm	2,00 mm	285 cm ²	0,80 kN/m	56,22 kg

Hot-dip galvanized, according to BS 729 (DIN EN ISO 1461)

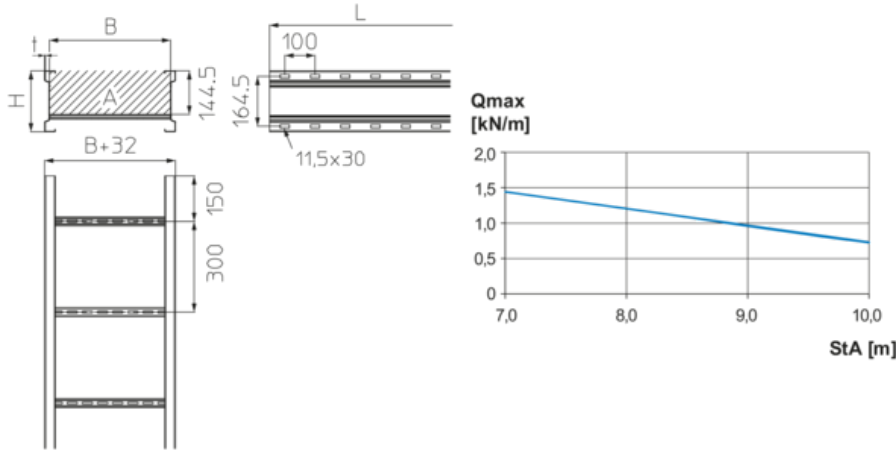
Product	H	B	L	t	A	Q _{LK}	G
WL 200-30F	202 mm	300 mm	6000 mm	2,00 mm	430 cm ²	1,20 kN/m	62,03 kg
WL 200-40F	202 mm	400 mm	6000 mm	2,00 mm	574 cm ²	1,61 kN/m	63,94 kg
WL 200-50F	202 mm	500 mm	6000 mm	2,00 mm	719 cm ²	2,01 kN/m	65,82 kg
WL 200-60F	202 mm	600 mm	6000 mm	2,00 mm	863 cm ²	2,42 kN/m	67,70 kg
WL 200-20F	202 mm	200 mm	6000 mm	2,00 mm	285 cm ²	0,80 kN/m	60,15 kg

H: height
B: width
L: length
t: material thickness
A: cross section area
Q_{LK}: distributed load power cable



G: weight

DETAILS / APPLICATIONS



OPTIONAL ACCESSORIES

WLB 200, WLA 200, WLK 200, WLD, WLDR, WLHS, WLKL, WLKLA, WLKLT, WLV 200, WLVH 200, WLTV 200, WTR 200



Do not walk upon!

