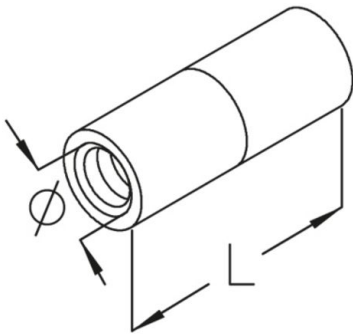


## VM

rod coupling Maintenance of function - Standard support structures

The product can be used for fire protection. For technical parameters, see National Technical Test Certificates (abPs).



galvanized, according to DIN EN ISO 19598 / DIN EN ISO 2081

Product	L	Ø	G
VM M8	30 mm	8 mm	1,1 kg/100
VM M10	30 mm	10 mm	1,4 kg/100
VM M12	30 mm	12 mm	1,7 kg/100

**L:** length  
**Ø:** diameter  
**G:** weight

