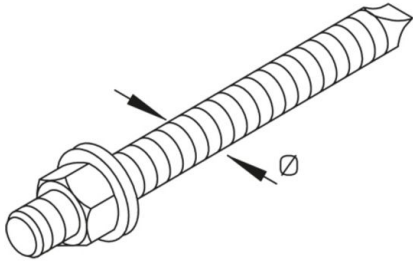


VAS-AS

shear connector rod, stone

load specifications are dependent on the ground. Manufacturer's information has to be observed strictly (ETA-10/0383).



galvanized, according to DIN EN ISO 19598 / DIN EN ISO 2081

Product	L _{min}	D	Ø	t	G
VAS-AS 8/15	80 mm	10 mm	8 mm	0-15 mm	0,04 kg
VAS-AS 10/25	80 mm	12 mm	10 mm	0-25 mm	0,07 kg
VAS-AS 12/40	80 mm	14 mm	12 mm	0-40 mm	0,12 kg

Stainless steel, according to ASTM 31 Ti / AISI 316 L, BS 320S17 / BS 316S11

Product	L _{min}	D	Ø	t	G
VAS-AS 8/15E4	80 mm	10 mm	8 mm	0-15 mm	0,04 kg
VAS-AS 10/25E4	80 mm	12 mm	10 mm	0-25 mm	0,07 kg
VAS-AS 12/40E4	80 mm	14 mm	12 mm	0-40 mm	0,12 kg

L_{min}: Minimum drilling depth

D: diameter

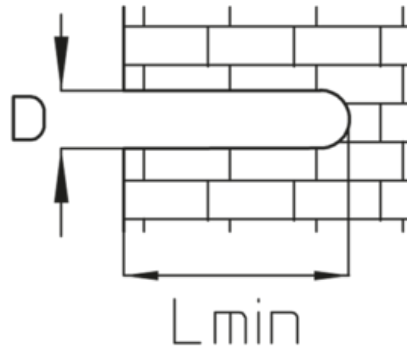
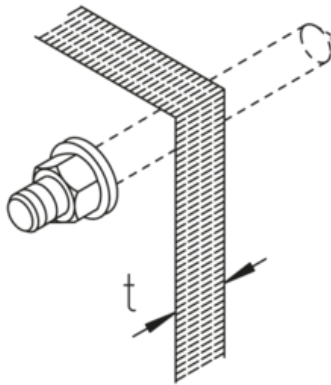
Ø: diameter

t: material thickness

G: weight

DETAILS / APPLICATIONS





OPTIONAL ACCESSORIES

VAS-BS, VAS-M, VAS-SH

