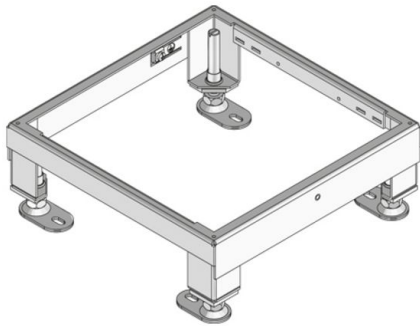


## UNE

levelling unit, dummy, triple, angular



Quadrangular levelling device made of a Sendzimir galvanized steel sheet frame, with internal levelling device including levelling bases and grounding clamp. For mounting into floor boxes, mounting covers and hollow- or raised floor openings in connection with high-grade steel cartridges. For heavy traffic loads.

material	sheet steel, hot-dip galvanized
type of assembly	Assembly on floor box UBDHB / rough concrete ceiling
application area	Sub construction of quadrangular high-grade steel cartridges
norm	according to DIN EN 50085
permits	according to VDE / TÜV

### Continuously hot galvanized (Sendzimir process) (DIN EN 10346)

Product	H <sub>min</sub>	N	B	L	E	P <sub>max</sub>	G
UNE 260V-30S	65 mm	25 mm	258 mm	258 mm	261 x 261 mm	20 kN	0,97 kg
UNE 260V-60S	90 mm	45 mm	258 mm	258 mm	261 x 261 mm	20 kN	1,00 kg
UNE 260V-100S	135 mm	45 mm	258 mm	258 mm	261 x 261 mm	20 kN	1,04 kg
UNE 260V-155S	155 mm	95 mm	258 mm	258 mm	261 x 261 mm	10 kN	1,10 kg
UNE 260V-210S	212 mm	100 mm	258 mm	258 mm	261 x 261 mm	10 kN	2,03 kg

**H<sub>min</sub>**: Minimum installation height

**N**: levelling range

**B**: width

**L**: length

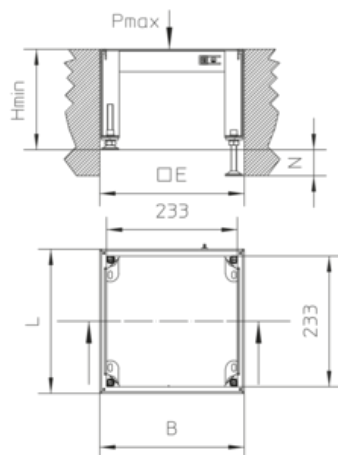
**E**: fitting dimension

**P<sub>max</sub>**: Maximum load

**G**: weight



## DETAILS / APPLICATIONS



## OPTIONAL ACCESSORIES

UGEAV, UGM SLF

