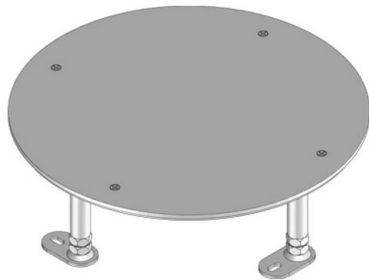


UNE 305R

dummy cover, triple, round



| | |
|------------------|---|
| material | made of 4 mm hot-dip galvanized sheet steel |
| application area | dry-cleaned |
| norm | according to DIN EN 50085 |
| permits | according to VDE / TÜV |

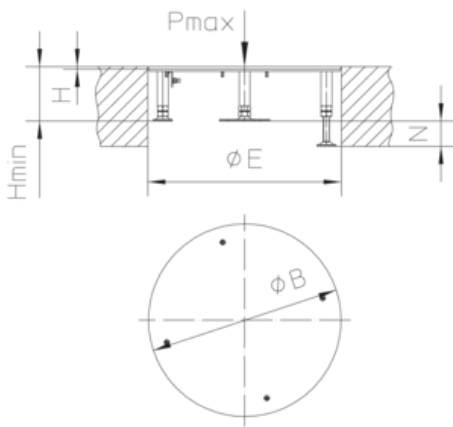
Continuously hot galvanized (Senzimir process) (DIN EN 10346)

| Product | H | H _{min} | N | B | E | P _{max} | G |
|--------------|------|------------------|-------|--------|--------|------------------|---------|
| UNE 305R-90S | 4 mm | 90 mm | 55 mm | 305 mm | 307 mm | 2 kN | 3,25 kg |

H: height
H_{min}: Minimum installation height
N: levelling range
B: width
E: fitting dimension
P_{max}: Maximum load
G: weight

DETAILS / APPLICATIONS





dry-cleaned

