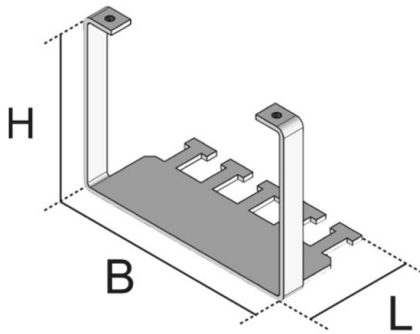


## UGETD UZ

strain relief

Strain relief made of Sendzimir hot-dip galvanized steel for relieving data cables, as data device carrier accessory.



Continuously hot galvanized (Sendzimir process) (DIN EN 10346)

Product	H	B	L	G
UGETD-UZ	54 mm	72 mm	34 mm	0,07 kg

**H:** height  
**B:** width  
**L:** length  
**G:** weight

