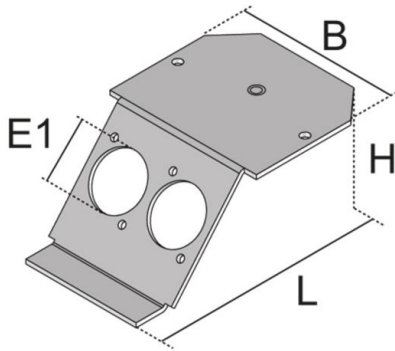


UGET 2 XLR

mounting box assembly carrier audio/video technology

Mounting box assembly carrier made of sendzimir-galvanized sheet steel, black. For the installation into a mounting box UG. To hold flush-type connectors for audio technology type XLR, D-series.



| | |
|-------------------------|--|
| colour | black |
| material | Sheet steel, galvanized |
| type of assembly | screwable |
| application area | in mounting box UG |
| Recess for manufacturer | Neutrik: D Series, DL Series, DLX Series |

Continuously hot galvanized (Sendzimir process) (DIN EN 10346)

| Product | H | B | L | E1 | color | data jacks | G |
|----------------|-------|-------|--------|---------|----------------------------|------------|---------|
| UGET-2-XLR 113 | 42 mm | 69 mm | 107 mm | 23,6 mm | Schwarz (ähnlich RAL 9011) | 2 | 0,11 kg |
| incl.: | | | | | | | |
| 2x BLS 2.9X13 | | | | | tapping screw | | |
| 2x BLS 4.8X9.5 | | | | | tapping screw | | |

H: height
B: width
L: length
E1: fitting dimension
color:
data jacks: Maximum number of installable data jacks
G: weight

OPTIONAL ACCESSORIES

UG



