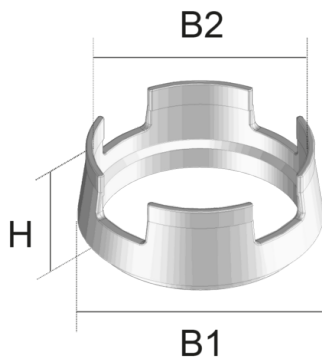


UET112-R-MR

Tube

Tube as a floor-projecting line outlet made of aluminum for screwing into a machine cleaning unit with tube mounting kit. Suitable for floors to be cleaned with floor cleaning machines. Designed for office traffic loads.



Material	Aluminum, natural anodized or stainless steel
Mounting method	Screw connection machine cleaning unit UEBDM MR
Range of application	wet maintained floor
Norm	according to DIN EN 50085
Approval	according to VDE/TÜV
Accessories	Tube lid UETD122

Aluminium

Product	H	B1	B2	Farbe_Datenblatt	G
UET112-R-WD	39 mm	112 mm	94 mm	Aluminium	0,15 kg

H: height
B1: width
B2: width
Farbe_Datenblatt: colour
G: weight

