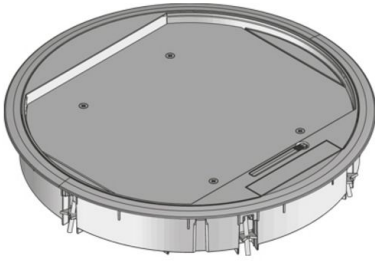


UEK3 R

hinged cover unit made of polyamide, triple, round



Round installation unit made of polyamide with carpet protection frame. Mounting frame, can be completed with lock-in leads for gradual lowering of up to 3 mounting boxes (9 coulter clip installation devices or 12 installation devices of 45x45 mm) until 30 mm max, hinged cover with sheet steel insert, floor flush brush cable outlet as dust protector, pivoting 180°, and self-locking lever, all-purpose claw set for fastening included. For the installation into floor boxes, assembly covers and into raised or hollow floor openings. Suitable for rooms with dry-cleaned floor coverings up to 10 mm. Designed for office traffic loads.



material	Cover and frame: PA6, surface matt finished, steel sheet inlay: 3 mm hot-dip galvanized steel plate
type of assembly	Assembly in floor box UBDHB, double or hollow floor openings
application area	dry floor cleaning
protection class	in use IP 20 / not in use IP 30
norm	according to DIN EN 50085
permits	according to VDE / TÜV
loading	including inspection stamp Ø 13 / 130 mm: 2 / 3 kN

Polyamide

Product	H	H _{min}	B	E	T	P _{max}	color	IP _n	IP _g	G
UEK3-R-G	58 mm	63 mm	330 mm	307 mm	10 mm	2 kN	RAL 7011 (iron grey)	IP 30	IP 20	1,935 kg
incl.:										
6x UDKS3-VR			universal claw for plastic units							
UEK3-R-S	58 mm	63 mm	330 mm	307 mm	10 mm	2 kN	RAL 9011 (graphite black)	IP 30	IP 20	1,935 kg
incl.:										
6x UDKS3-VR			universal claw for plastic units							

H: height



H_{min} : Minimum installation height

B: width

E: fitting dimension

T: depth

P_{max} : Maximum load

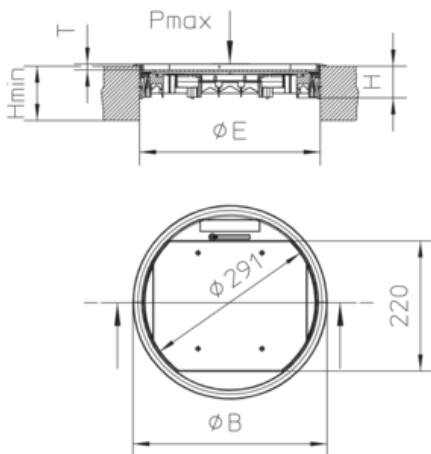
color:

IP_n : IP protection level in unused condition

IP_g : IP protection level in used condition

G: weight

DETAILS / APPLICATIONS



OPTIONAL ACCESSORIES

UDKS3, UEK R, UGEA3, UDKS 40-80, UDKSEB



dry-cleaned

