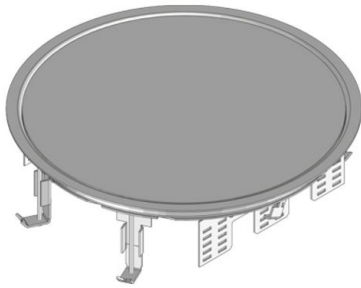


UEBDD RP E

stainless steel dummy cover cartridge, triple, round, plane



Round installation unit with floor protection frame made of stainless steel. Flat surface, blasted. As cartridge installation frame with dummy inlay cartridge, rubber seal and a universal mounting claw set. For installation into floor boxes, assembly covers and raised or hollow floor openings. Suitable for rooms with dry and damp-cleaned floor covers. Designed for office traffic loads.

material	cartridge and frame: 2 mm high-grade steel V2A
type of assembly	Assembly in floor box UBDHB, double or hollow floor openings
application area	dry floor cleaning
protection class	not in use IP 30
norm	according to DIN EN 50085
permits	according to VDE / TÜV
loading	including inspection stamp Ø 13 / 130 mm: 2 / 3 kN

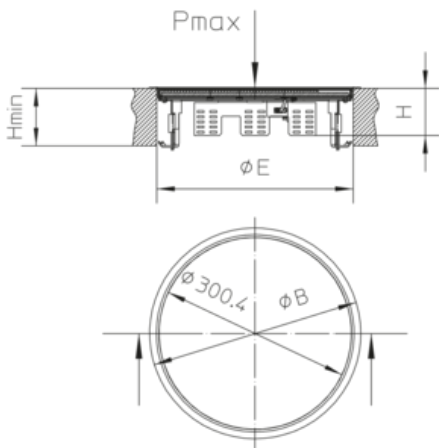
Stainless steel, according to ASTM 304 / BS 304 S 3

Product	H	H _{min}	B	E	P _{max}	IP _n	G
UEBDD 15-RP E	71 mm	90 mm	330 mm	307 mm	2 kN	IP 30	5,46 kg
incl.:							
4x UDBS 40-80			special claw				
1x UGD-R 10-2			rubber seal, round				

H: height
H_{min}: Minimum installation height
B: width
E: fitting dimension
P_{max}: Maximum load
IP_n: IP protection level in unused condition
G: weight



DETAILS / APPLICATIONS



dry-cleaned

