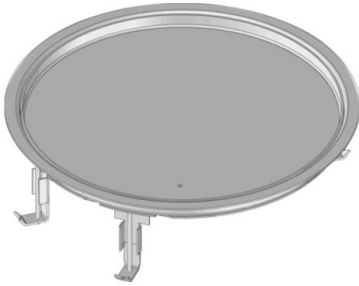


## UEBDD R E

stainless steel dummy cover cartridge, triple, round



Round installation unit with floor protection frame made of stainless steel. As cartridge installation frame with dummy inlay cartridge, rubber seal and a universal mounting claw set. For installation into floor boxes, assembly covers and raised or hollow floor openings. Suitable for rooms with dry and damp-cleaned floor covers. Designed for office traffic loads.

|                  |  |
|------------------|--|
| material         | cartridge and frame: 2 mm high-grade steel V2A               |
| type of assembly | Assembly in floor box UBDHB, double or hollow floor openings |
| application area | dry floor cleaning   |
| protection class | not in use IP 30   |
| norm             | according to DIN EN 50085                                    |
| permits          | according to VDE / TÜV                                       |
| loading          | including inspection stamp Ø 13 / 130 mm: 2 / 3 kN           |

Stainless steel, according to ASTM 304 / BS 304 S 3

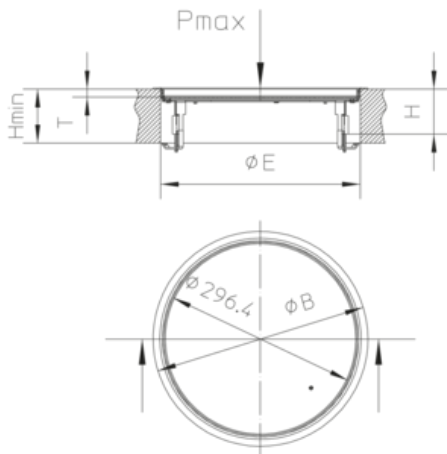
| Product       | H     | H <sub>min</sub> | B      | E                  | T     | P <sub>max</sub> | IP <sub>n</sub> | IP <sub>g</sub> | G       |
|---------------|-------|------------------|--------|--------------------|-------|------------------|-----------------|-----------------|---------|
| UEBDD 15-R E  | 71 mm | 90 mm            | 330 mm | 307 mm             | 12 mm | 2 kN             | IP 30           | IP 20           | 2,17 kg |
| incl.:        |       |                  |        |                    |       |                  |                 |                 |         |
| 4x UDBS 40-80 |       |                  |        | special claw       |       |                  |                 |                 |         |
| 1x UGD-R 10-2 |       |                  |        | rubber seal, round |       |                  |                 |                 |         |
| UEBDD 25-R E  | 81 mm | 100 mm           | 330 mm | 307 mm             | 22 mm | 2 kN             | IP 30           | IP 20           | 2,44 kg |
| incl.:        |       |                  |        |                    |       |                  |                 |                 |         |
| 4x UDBS 40-80 |       |                  |        | special claw       |       |                  |                 |                 |         |
| 1x UGD-R 10-2 |       |                  |        | rubber seal, round |       |                  |                 |                 |         |

**H:** height  
**H<sub>min</sub>:** Minimum installation height  
**B:** width  
**E:** fitting dimension



T: depth  
 $P_{max}$ : Maximum load  
 $IP_n$ : IP protection level in unused condition  
 $IP_g$ : IP protection level in used condition  
G: weight

## DETAILS / APPLICATIONS



## OPTIONAL ACCESSORIES

UEBDE R



dry-cleaned

