

## TBS

trapezium bow

manufacturer's information has to be observed strictly. For hanging direct in trapeze profile.

Zinc coated

Product	Ø	Pzul	G
TBS 8	8 mm	1,3 kN	0,14 kg
incl.:			
1x SES 8X110		hexagon head bolt, DIN 933	
1x SEM 8		hexagon-nut, DIN 934	
TBS 10	10 mm	1,3 kN	0,15 kg
incl.:			
1x SES 8X110		hexagon head bolt, DIN 933	
1x SEM 8		hexagon-nut, DIN 934	

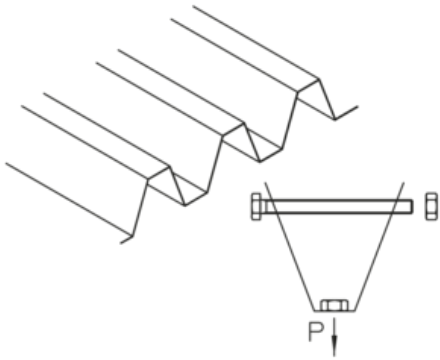
Ø: diameter

Pzul: permissible tractive force

G: weight

## DETAILS / APPLICATIONS





## OPTIONAL ACCESSORIES

DSAXPEF8 2, DSAHFEF8 3

