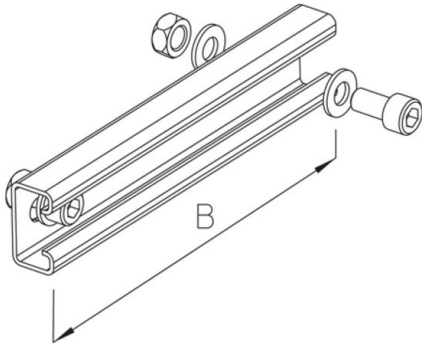


STUS 60

rung



Hot-dip galvanized, according to BS 729 (DIN EN ISO 1461)

Product	B	G
STUS 60-02F	200 mm	0,37 kg
incl.:		
1x KHA 8-02F	profile rail 40x22 mm, perforated	
2x IK 10X20E	hexagon socket head screw, DIN 912	
2x SEM 10E	hexagon-nut, DIN 934	
STUS 60-03F	300 mm	0,53 kg
incl.:		
1x KHA 8-03F	profile rail 40x22 mm, perforated	
2x IK 10X20E	hexagon socket head screw, DIN 912	
2x SEM 10E	hexagon-nut, DIN 934	
STUS 60-04F	400 mm	0,67 kg
incl.:		
1x KHA 8-04F	profile rail 40x22 mm, perforated	
2x IK 10X20E	hexagon socket head screw, DIN 912	
2x SEM 10E	hexagon-nut, DIN 934	
STUS 60-05F	500 mm	0,83 kg
incl.:		
1x KHA 8-05F	profile rail 40x22 mm, perforated	
2x IK 10X20E	hexagon socket head screw, DIN 912	
2x SEM 10E	hexagon-nut, DIN 934	
STUS 60-06F	600 mm	0,97 kg
incl.:		
1x KHA 8-06F	profile rail 40x22 mm, perforated	
2x IK 10X20E	hexagon socket head screw, DIN 912	
2x SEM 10E	hexagon-nut, DIN 934	
STUS 60-07F	700 mm	1,13 kg



Product	B	G
incl.: 1x KHA 8-07F 2x IK 10X20E 2x SEM 10E	profile rail 40x22 mm, perforated hexagon socket head screw, DIN 912 hexagon-nut, DIN 934	
STUS 60-08F	800 mm	1,27 kg
incl.: 1x KHA 8-08F 2x IK 10X20E 2x SEM 10E	profile rail 40x22 mm, perforated hexagon socket head screw, DIN 912 hexagon-nut, DIN 934	
STUS 60-09F	900 mm	1,38 kg
incl.: 1x KHA 8-09F 2x IK 10X20E 2x SEM 10E	profile rail 40x22 mm, perforated hexagon socket head screw, DIN 912 hexagon-nut, DIN 934	
STUS 60-10F	1000 mm	1,60 kg
incl.: 1x KHA 8-10F 2x IK 10X20E 2x SEM 10E	profile rail 40x22 mm, perforated hexagon socket head screw, DIN 912 hexagon-nut, DIN 934	
STUS 60-11F	1100 mm	1,76 kg
incl.: 1x KHA 8-11F 2x IK 10X20E 2x SEM 10E	profile rail 40x22 mm, perforated hexagon socket head screw, DIN 912 hexagon-nut, DIN 934	
STUS 60-12F	1200 mm	1,92 kg
incl.: 1x KHA 8-12F 2x IK 10X20E 2x SEM 10E	profile rail 40x22 mm, perforated hexagon socket head screw, DIN 912 hexagon-nut, DIN 934	

Stainless steel, according to ASTM 304 / BS 304 S 3

Product	B	G
STUS 60-02E	200 mm	0,37 kg
incl.: 2x IK 10X20E 2x SEM 10E 1x KHA 8-02E4	hexagon socket head screw, DIN 912 hexagon-nut, DIN 934 profile rail 40x22 mm, perforated	
STUS 60-03E	300 mm	0,53 kg



Product	B	G
incl.: 2x IK 10X20E 2x SEM 10E 1x KHA 8-03E4	hexagon socket head screw, DIN 912 hexagon-nut, DIN 934 profile rail 40x22 mm, perforated	
STUS 60-04E	400 mm	0,67 kg
incl.: 2x IK 10X20E 2x SEM 10E 1x KHA 8-04E4	hexagon socket head screw, DIN 912 hexagon-nut, DIN 934 profile rail 40x22 mm, perforated	
STUS 60-05E	500 mm	0,83 kg
incl.: 2x IK 10X20E 2x SEM 10E 1x KHA 8-05E4	hexagon socket head screw, DIN 912 hexagon-nut, DIN 934 profile rail 40x22 mm, perforated	
STUS 60-06E	600 mm	0,97 kg
incl.: 2x IK 10X20E 2x SEM 10E 1x KHA 8-06E4	hexagon socket head screw, DIN 912 hexagon-nut, DIN 934 profile rail 40x22 mm, perforated	
STUS 60-07E	700 mm	1,13 kg
incl.: 2x IK 10X20E 2x SEM 10E 1x KHA 8-07E4	hexagon socket head screw, DIN 912 hexagon-nut, DIN 934 profile rail 40x22 mm, perforated	
STUS 60-08E	800 mm	1,27 kg
incl.: 2x IK 10X20E 2x SEM 10E 1x KHA 8-08E4	hexagon socket head screw, DIN 912 hexagon-nut, DIN 934 profile rail 40x22 mm, perforated	
STUS 60-09E	900 mm	1,38 kg
incl.: 2x SEM 10E 1x KHA 8-09E4 2x IK 10X20E	hexagon-nut, DIN 934 profile rail 40x22 mm, perforated hexagon socket head screw, DIN 912	
STUS 60-10E	1000 mm	1,60 kg
incl.: 2x IK 10X20E 2x SEM 10E 1x KHA 8-10E4	hexagon socket head screw, DIN 912 hexagon-nut, DIN 934 profile rail 40x22 mm, perforated	
STUS 60-11E	1100 mm	1,76 kg



Product	B	G
incl.: 2x IK 10X20E 2x SEM 10E 1x KHA 8-11E4	hexagon socket head screw, DIN 912 hexagon-nut, DIN 934 profile rail 40x22 mm, perforated	
STUS 60-12E	1200 mm	1,92 kg
incl.: 2x IK 10X20E 2x SEM 10E 1x KHA 8-12E4	hexagon socket head screw, DIN 912 hexagon-nut, DIN 934 profile rail 40x22 mm, perforated	

B: width
G: weight

DETAILS / APPLICATIONS

