

## STU 50

vertical cable ladder, unequal U-profile

vertical ladder, medium building class, with continuously perforated side beams, for fastening directly to walls or detached, riveted rungs made of profile rail 40x22 mm.

The cover RD can only be mounted in conjunction with the cover extension STD-A.

### Continuously hot galvanized (Sendzimir process) (DIN EN 10346)

Product	H	B1	B2	L	t	P <sub>max</sub>	G
STU 50-03-3S	50 mm	300 mm	262 mm	3000 mm	2 mm	2,0 kN	10,35 kg
STU 50-04-3S	50 mm	400 mm	362 mm	3000 mm	2 mm	2,0 kN	10,9 kg
STU 50-05-3S	50 mm	500 mm	462 mm	3000 mm	2 mm	2,0 kN	11,5 kg
STU 50-06-3S	50 mm	600 mm	562 mm	3000 mm	2 mm	2,0 kN	12,05 kg
STU 50-07-3S	50 mm	700 mm	662 mm	3000 mm	2 mm	2,0 kN	12,65 kg
STU 50-08-3S	50 mm	800 mm	762 mm	3000 mm	2 mm	2,0 kN	13,25 kg
STU 50-02S	50 mm	210 mm	172 mm	6000 mm	2 mm	2,0 kN	19,5 kg
STU 50-03S	50 mm	300 mm	262 mm	6000 mm	2 mm	2,0 kN	20,7 kg
STU 50-04S	50 mm	400 mm	362 mm	6000 mm	2 mm	2,0 kN	21,8 kg
STU 50-05S	50 mm	500 mm	462 mm	6000 mm	2 mm	2,0 kN	23,0 kg
STU 50-06S	50 mm	600 mm	562 mm	6000 mm	2 mm	2,0 kN	24,1 kg
STU 50-07S	50 mm	700 mm	662 mm	6000 mm	2 mm	2,0 kN	25,3 kg
STU 50-08S	50 mm	800 mm	762 mm	6000 mm	2 mm	2,0 kN	26,5 kg
STU 50-02-3S	3000 mm	2,0 kN	9,75 kg				

### Hot-dip galvanized, according to BS 729 (DIN EN ISO 1461)

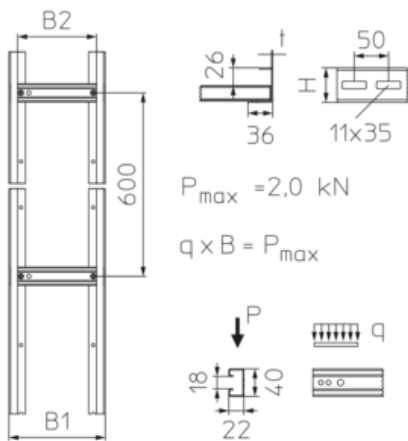
Product	H	B1	B2	L	t	P <sub>max</sub>	G
STU 50-03-3F	50 mm	300 mm	262 mm	3000 mm	2 mm	2,0 kN	11,05 kg
STU 50-04-3F	50 mm	400 mm	362 mm	3000 mm	2 mm	2,0 kN	11,65 kg



Product	H	B1	B2	L	t	P <sub>max</sub>	G
STU 50-05-3F	50 mm	500 mm	462 mm	3000 mm	2 mm	2,0 kN	12,3 kg
STU 50-06-3F	50 mm	600 mm	562 mm	3000 mm	2 mm	2,0 kN	12,9 kg
STU 50-07-3F	50 mm	700 mm	662 mm	3000 mm	2 mm	2,0 kN	13,55 kg
STU 50-08-3F	50 mm	800 mm	762 mm	3000 mm	2 mm	2,0 kN	14,15 kg
STU 50-02F	50 mm	210 mm	172 mm	6000 mm	2 mm	2,0 kN	21,0 kg
STU 50-03F	50 mm	300 mm	262 mm	6000 mm	2 mm	2,0 kN	22,1 kg
STU 50-04F	50 mm	400 mm	362 mm	6000 mm	2 mm	2,0 kN	23,3 kg
STU 50-05F	50 mm	500 mm	462 mm	6000 mm	2 mm	2,0 kN	24,6 kg
STU 50-06F	50 mm	600 mm	562 mm	6000 mm	2 mm	2,0 kN	25,8 kg
STU 50-07F	50 mm	700 mm	662 mm	6000 mm	2 mm	2,0 kN	27,1 kg
STU 50-08F	50 mm	800 mm	762 mm	6000 mm	2 mm	2,0 kN	28,3 kg
STU 50-02-3F	3000 mm	2,0 kN	10,50 kg				

**H:** height  
**B1:** width  
**B2:** width  
**L:** length  
**t:** material thickness  
**P<sub>max</sub>:** Maximum load  
**G:** weight

## DETAILS / APPLICATIONS



## OPTIONAL ACCESSORIES

STLS, AC, STR 50, STR 110, LGV 50, STD-A, ST-RD, BGUQ 50, BL 4, LH, SU 50/36

