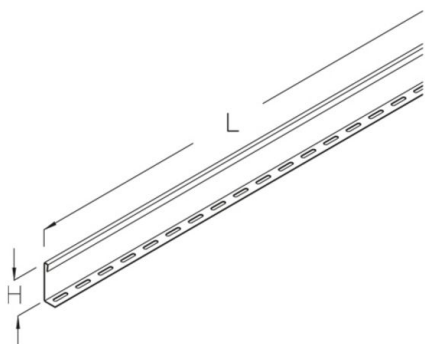


STR 110

vertical ladder separating strip, height = 50 mm



Continuously hot galvanized (Sendzimir process) (DIN EN 10346)

Product	H	L	G
STR 110S	50 mm	3000 mm	2,11 kg

Hot-dip galvanized, according to BS 729 (DIN EN ISO 1461)

Product	H	L	G
STR 110F	50 mm	3000 mm	2,25 kg

Stainless steel, according to ASTM 304 / BS 304 S 3

Product	H	L	G
STR 110E	50 mm	3000 mm	2,10 kg

H: height
L: length
G: weight

