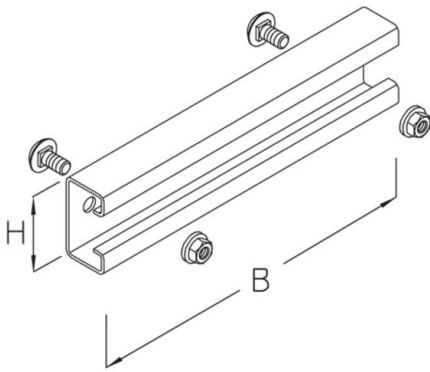


## STLS rung



Continuously hot galvanized (Sendzimir process) (DIN EN 10346)

Product	H	B	G
STLS 02S	40 mm	203 mm	0,24 kg
incl.: 2x SES 6X16 2x SEMS 6			
		hexagon head bolt, DIN 933 hexagon-nut with flange, DIN EN 1661	
STLS 03S	40 mm	293 mm	0,36 kg
incl.: 2x SES 6X16 2x SEMS 6			
		hexagon head bolt, DIN 933 hexagon-nut with flange, DIN EN 1661	
STLS 04S	40 mm	393 mm	0,47 kg
incl.: 2x SES 6X16 2x SEMS 6			
		hexagon head bolt, DIN 933 hexagon-nut with flange, DIN EN 1661	
STLS 05S	40 mm	493 mm	0,59 kg
incl.: 2x SES 6X16 2x SEMS 6			
		hexagon head bolt, DIN 933 hexagon-nut with flange, DIN EN 1661	
STLS 06S	40 mm	593 mm	0,70 kg
incl.: 2x SES 6X16 2x SEMS 6			
		hexagon head bolt, DIN 933 hexagon-nut with flange, DIN EN 1661	
STLS 07S	40 mm	693 mm	0,82 kg
incl.: 2x SES 6X16 2x SEMS 6			
		hexagon head bolt, DIN 933 hexagon-nut with flange, DIN EN 1661	

Page 1



Product	H	B	G
STLS 08S	40 mm	793 mm	0,94 kg
incl.:			
2x SES 6X16	hexagon head bolt, DIN 933		
2x SEMS 6	hexagon-nut with flange, DIN EN 1661		

## Hot-dip galvanized, according to BS 729 (DIN EN ISO 1461)

Product	H	B	G
STLS 02F	40 mm	203 mm	0,27 kg
incl.:			
2x SES 6X16E	hexagon head bolt, DIN 933		
2x SEMS 6E	hexagon-nut with flange, DIN EN 1661		
STLS 03F	40 mm	293 mm	0,38 kg
incl.:			
2x SES 6X16E	hexagon head bolt, DIN 933		
2x SEMS 6E	hexagon-nut with flange, DIN EN 1661		
STLS 04F	40 mm	393 mm	0,50 kg
incl.:			
2x SES 6X16E	hexagon head bolt, DIN 933		
2x SEMS 6E	hexagon-nut with flange, DIN EN 1661		
STLS 05F	40 mm	493 mm	0,63 kg
incl.:			
2x SES 6X16E	hexagon head bolt, DIN 933		
2x SEMS 6E	hexagon-nut with flange, DIN EN 1661		
STLS 06F	40 mm	593 mm	0,75 kg
incl.:			
2x SES 6X16E	hexagon head bolt, DIN 933		
2x SEMS 6E	hexagon-nut with flange, DIN EN 1661		
STLS 07F	40 mm	693 mm	0,88 kg
incl.:			
2x SES 6X16E	hexagon head bolt, DIN 933		
2x SEMS 6E	hexagon-nut with flange, DIN EN 1661		
STLS 08F	40 mm	793 mm	1,00 kg
incl.:			
2x SES 6X16E	hexagon head bolt, DIN 933		
2x SEMS 6E	hexagon-nut with flange, DIN EN 1661		



**H:** height  
**B:** width  
**G:** weight

## DETAILS / APPLICATIONS

