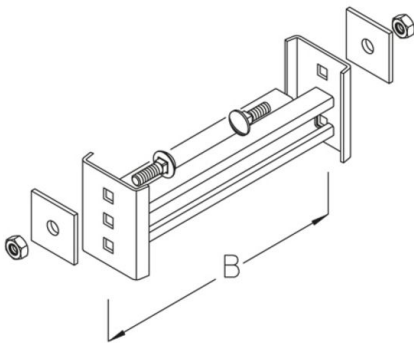


STISD

rung



Hot-dip galvanized, according to BS 729 (DIN EN ISO 1461)

Product	B	P _{max}	G
STISD 02F	200 mm	5,0 kN	1,2 kg
incl.:			
2x FRS 10X30F		round-head screw with square, DIN 603	
2x SEM 10F		hexagon-nut, DIN 934	
2x RUS 50-L13F		washer, KHI	
2x SES 8X16E		hexagon head bolt, DIN 933	
2x SEMS 8E		hexagon-nut with flange, DIN EN 1661	
STISD 03F	300 mm	5,0 kN	1,5 kg
incl.:			
2x FRS 10X30F		round-head screw with square, DIN 603	
2x SEM 10F		hexagon-nut, DIN 934	
2x RUS 50-L13F		washer, KHI	
2x SES 8X16E		hexagon head bolt, DIN 933	
2x SEMS 8E		hexagon-nut with flange, DIN EN 1661	
STISD 04F	400 mm	5,0 kN	1,9 kg
incl.:			
2x FRS 10X30F		round-head screw with square, DIN 603	
2x SEM 10F		hexagon-nut, DIN 934	
2x RUS 50-L13F		washer, KHI	
2x SES 8X16E		hexagon head bolt, DIN 933	
2x SEMS 8E		hexagon-nut with flange, DIN EN 1661	
STISD 05F	500 mm	5,0 kN	2,2 kg
incl.:			
2x FRS 10X30F		round-head screw with square, DIN 603	
2x SEM 10F		hexagon-nut, DIN 934	
2x RUS 50-L13F		washer, KHI	
2x SES 8X16E		hexagon head bolt, DIN 933	
2x SEMS 8E		hexagon-nut with flange, DIN EN 1661	



Product	B	P _{max}	G
STISD 06F	600 mm	5,0 kN	2,5 kg
incl.:			
2x FRS 10X30F		round-head screw with square, DIN 603	
2x SEM 10F		hexagon-nut, DIN 934	
2x RUS 50-L13F		washer, KHI	
2x SES 8X16E		hexagon head bolt, DIN 933	
2x SEMS 8E		hexagon-nut with flange, DIN EN 1661	
STISD 07F	700 mm	5,0 kN	2,9 kg
incl.:			
2x FRS 10X30F		round-head screw with square, DIN 603	
2x SEM 10F		hexagon-nut, DIN 934	
2x RUS 50-L13F		washer, KHI	
2x SES 8X16E		hexagon head bolt, DIN 933	
2x SEMS 8E		hexagon-nut with flange, DIN EN 1661	
STISD 08F	800 mm	5,0 kN	3,2 kg
incl.:			
2x FRS 10X30F		round-head screw with square, DIN 603	
2x SEM 10F		hexagon-nut, DIN 934	
2x RUS 50-L13F		washer, KHI	
2x SES 8X16E		hexagon head bolt, DIN 933	
2x SEMS 8E		hexagon-nut with flange, DIN EN 1661	
STISD 09F	900 mm	5,0 kN	3,5 kg
incl.:			
2x FRS 10X30F		round-head screw with square, DIN 603	
2x SEM 10F		hexagon-nut, DIN 934	
2x RUS 50-L13F		washer, KHI	
2x SES 8X16E		hexagon head bolt, DIN 933	
2x SEMS 8E		hexagon-nut with flange, DIN EN 1661	
STISD 10F	1000 mm	5,0 kN	3,9 kg
incl.:			
2x FRS 10X30F		round-head screw with square, DIN 603	
2x SEM 10F		hexagon-nut, DIN 934	
2x RUS 50-L13F		washer, KHI	
2x SES 8X16E		hexagon head bolt, DIN 933	
2x SEMS 8E		hexagon-nut with flange, DIN EN 1661	
STISD 11F	1100 mm	5,0 kN	4,2 kg
incl.:			
2x FRS 10X30F		round-head screw with square, DIN 603	
2x SEM 10F		hexagon-nut, DIN 934	
2x RUS 50-L13F		washer, KHI	
2x SES 8X16E		hexagon head bolt, DIN 933	
2x SEMS 8E		hexagon-nut with flange, DIN EN 1661	
STISD 12F	1200 mm	5,0 kN	4,5 kg



Product	B	P_{max}	G
incl.: 2x FRS 10X30F 2x SEM 10F 2x RUS 50-L13F 2x SES 8X16E 2x SEMS 8E			round-head screw with square, DIN 603 hexagon-nut, DIN 934 washer, KHI hexagon head bolt, DIN 933 hexagon-nut with flange, DIN EN 1661

B: width
 P_{max} : Maximum load
G: weight

DETAILS / APPLICATIONS

$P_{max} = 5,0 \text{ kN}$

