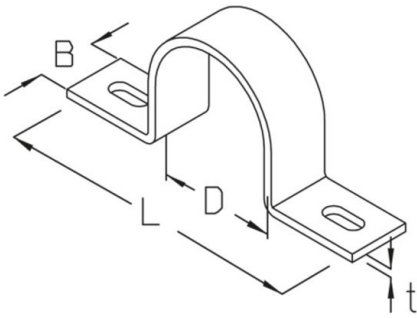


**SRS-R**  
tube clamp



Hot-dip galvanized, according to BS 729 (DIN EN ISO 1461)

Product	B	L	D	t	G
SRS-R 60F	30 mm	160 mm	60 mm	4,00 mm	0,22 kg

Stainless steel, according to ASTM 304 / BS 304 S 3

Product	B	L	D	t	G
SRS-R 60E	30 mm	160 mm	60 mm	4,00 mm	0,22 kg

- B:** width
- L:** length
- D:** diameter
- t:** material thickness
- G:** weight

DETAILS / APPLICATIONS



