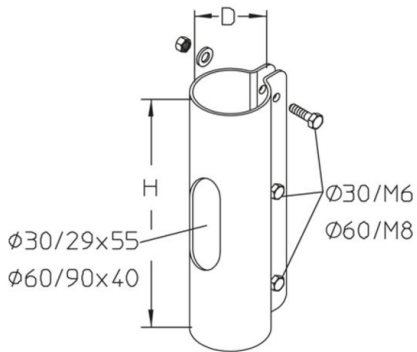


## SRML elongated slot socket



Hot-dip galvanized, according to BS 729 (DIN EN ISO 1461)

Product	H	D	t	G
SRML 60F	230 mm	60 mm	2,50 mm	1,05 kg

Stainless steel, according to ASTM 304 / BS 304 S 3

Product	H	D	t	G
SRML 60E	230 mm	60 mm	2,50 mm	1,05 kg

**H:** height  
**D:** diameter  
**t:** material thickness  
**G:** weight

## DETAILS / APPLICATIONS



