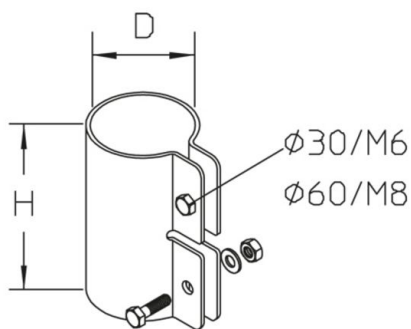


SRM clamp socket



Hot-dip galvanized, according to BS 729 (DIN EN ISO 1461)

Product	H	D	t	G
SRM 30F	80 mm	30 mm	1,50 mm	0,15 kg
SRM 60F	115 mm	60 mm	2,50 mm	0,55 kg

Stainless steel, according to ASTM 304 / BS 304 S 3

Product	H	D	t	G
SRM 30E	80 mm	30 mm	1,50 mm	0,15 kg
SRM 60E	115 mm	60 mm	2,50 mm	0,55 kg

H: height
D: diameter
t: material thickness
G: weight

DETAILS / APPLICATIONS



