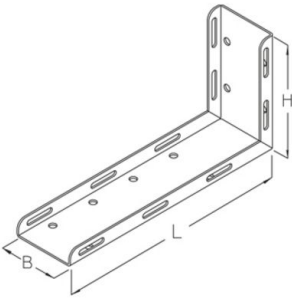


SRFW

base bracket



Hot-dip galvanized, according to BS 729 (DIN EN ISO 1461)

Product	H	B	L	t	G
SRFW 60F	200 mm	100 mm	400 mm	3,00 mm	1,95 kg

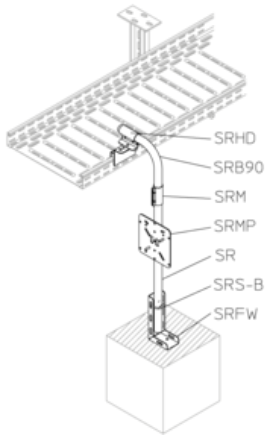
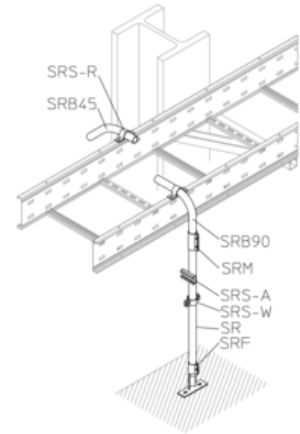
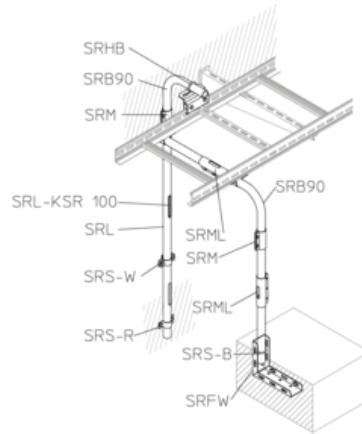
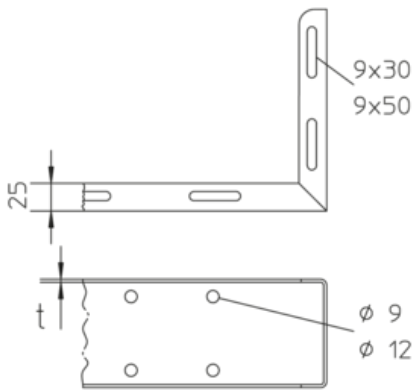
Stainless steel, according to ASTM 304 / BS 304 S 3

Product	H	B	L	t	G
SRFW 60E	200 mm	100 mm	400 mm	3,00 mm	1,95 kg

H: height
B: width
L: length
t: material thickness
G: weight

DETAILS / APPLICATIONS





OPTIONAL ACCESSORIES

SRS-B

