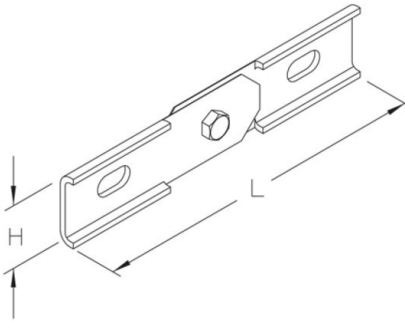


## SLVV

ship ladder connector, vertical



### Bright rolled

| Product       | H     | L                          | G      |
|---------------|-------|----------------------------|--------|
| SLVV B        | 38 mm | 180 mm                     | 0,2 kg |
| incl.:        |       |                            |        |
| 2x KLS 10X20F |       | clamp fastening set        |        |
| 1x SES 10X20F |       | hexagon head bolt, DIN 933 |        |
| 1x SEM 10F    |       | hexagon-nut, DIN 934       |        |

### Hot-dip galvanized, according to BS 729 (DIN EN ISO 1461)

| Product       | H     | L                          | G      |
|---------------|-------|----------------------------|--------|
| SLVV F        | 38 mm | 180 mm                     | 0,2 kg |
| incl.:        |       |                            |        |
| 2x KLS 10X20F |       | clamp fastening set        |        |
| 1x SES 10X20F |       | hexagon head bolt, DIN 933 |        |
| 1x SEM 10F    |       | hexagon-nut, DIN 934       |        |

### weld-primed

| Product | H     | L      | G      |
|---------|-------|--------|--------|
| SLVV M  | 38 mm | 180 mm | 0,2 kg |



| Product  | H | L | G   |
|--|---|---|---|
| incl.:<br>2x KLS 10X20F<br>1x SES 10X20F<br>1x SEM 10F |   |   | clamp fastening set<br>hexagon head bolt, DIN 933<br>hexagon-nut, DIN 934 |

**H:** height  
**L:** length  
**G:** weight

## DETAILS / APPLICATIONS

